



US00D625121S

(12) **United States Design Patent**  
**Vignelli et al.**

(10) **Patent No.:** **US D625,121 S**

(45) **Date of Patent:** **\*\* Oct. 12, 2010**

(54) **DESK**

(75) Inventors: **Lella Vignelli**, New York, NY (US);  
**Massimo Vignelli**, New York, NY (US)

(73) Assignee: **Poltrona Frau S.p.A.**, Turin (IT)

(\*\*) Term: **14 Years**

(21) Appl. No.: **29/311,499**

(22) Filed: **Apr. 1, 2009**

(30) **Foreign Application Priority Data**

Mar. 3, 2009 (EM) ..... 001097836

(51) **LOC (9) Cl.** ..... **06-04**

(52) **U.S. Cl.** ..... **D6/422**

(58) **Field of Classification Search** ..... D6/422-428,  
D6/491, 509, 511; 312/194-196, 239, 279;  
108/50.01, 50.02

See application file for complete search history.

(56) **References Cited**

**U.S. PATENT DOCUMENTS**

D154,440 S \* 7/1949 Taubert ..... D6/425

D172,995 S \* 9/1954 Silverman ..... D6/426  
D330,123 S \* 10/1992 Moschini ..... D6/422  
D452,781 S \* 1/2002 Kolberg ..... D6/422  
D537,650 S \* 3/2007 Luong ..... D6/422

\* cited by examiner

*Primary Examiner*—Janice E Seeger

(74) *Attorney, Agent, or Firm*—Nixon & Vanderhye P.C.

(57) **CLAIM**

The ornamental design for a desk, as shown and described.

**DESCRIPTION**

FIG. 1 is a front elevational view of a desk;

FIG. 2 is a rear elevational view thereof;

FIG. 3 is a left elevational view thereof;

FIG. 4 is a right elevational view thereof;

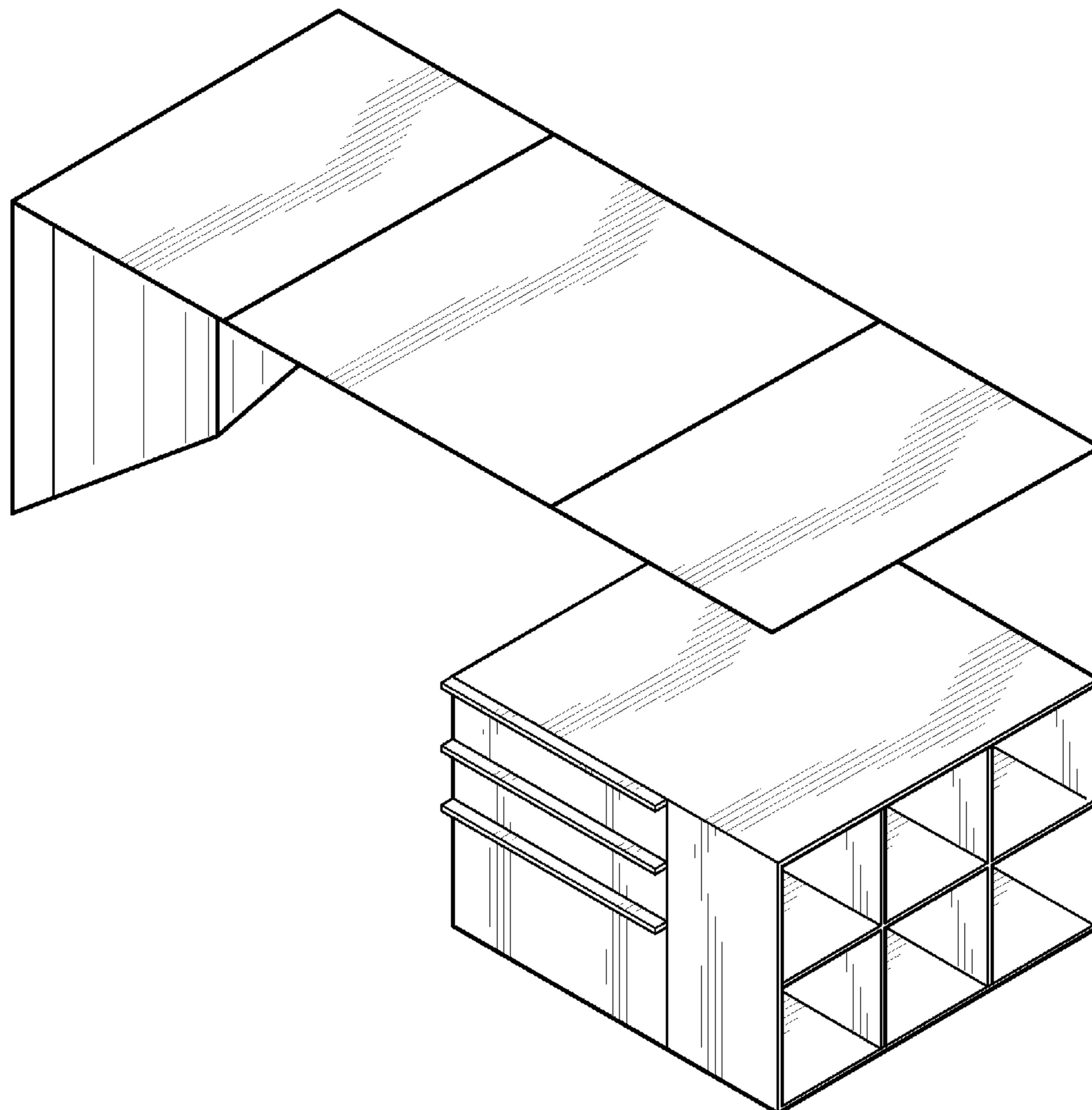
FIG. 5 is a top plan view thereof;

FIG. 6 is a bottom plan view thereof; and,

FIG. 7 is a front, right, top perspective view thereof.

The broken lines are for environmental purposes only and form no part of the claimed design.

**1 Claim, 4 Drawing Sheets**



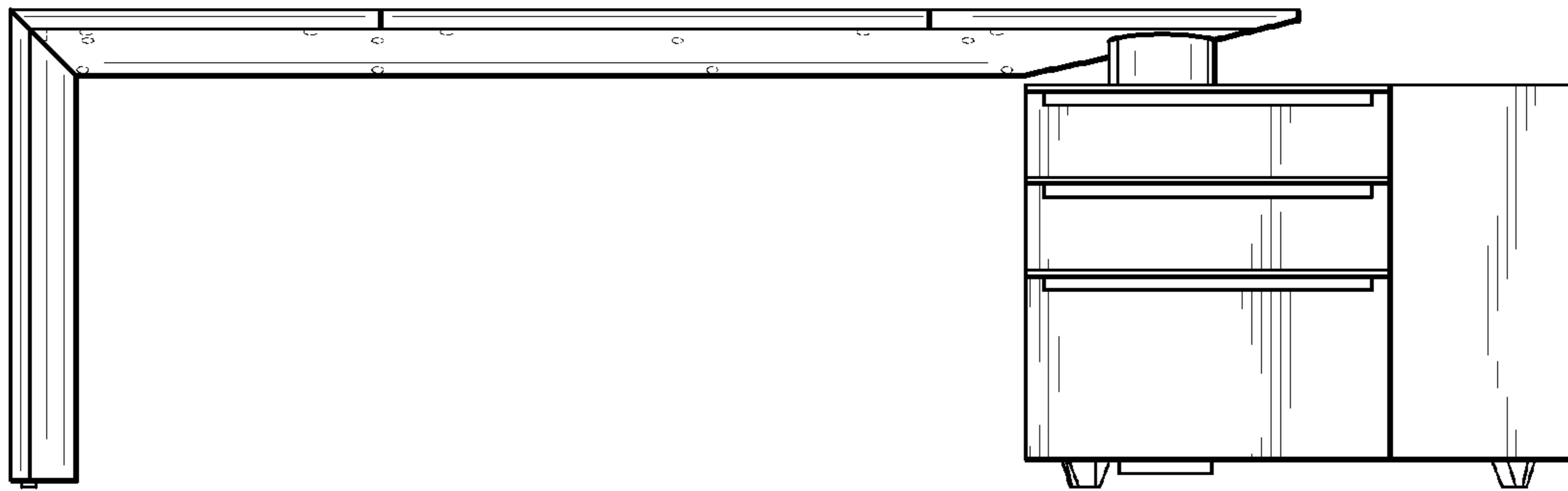


FIG. 1

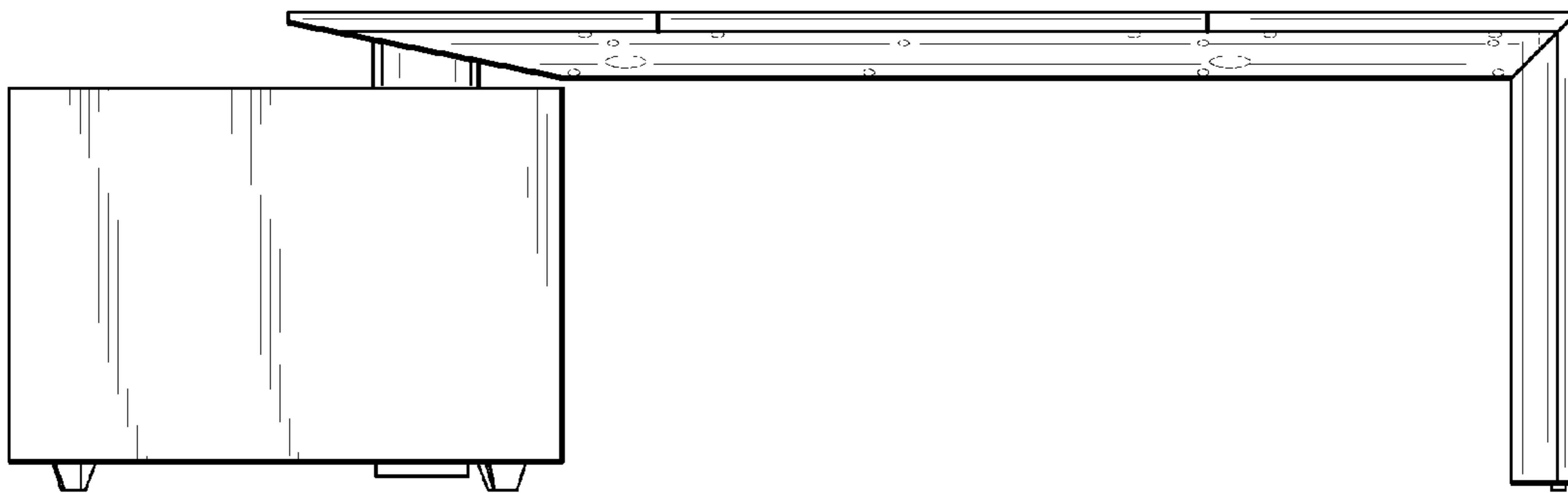
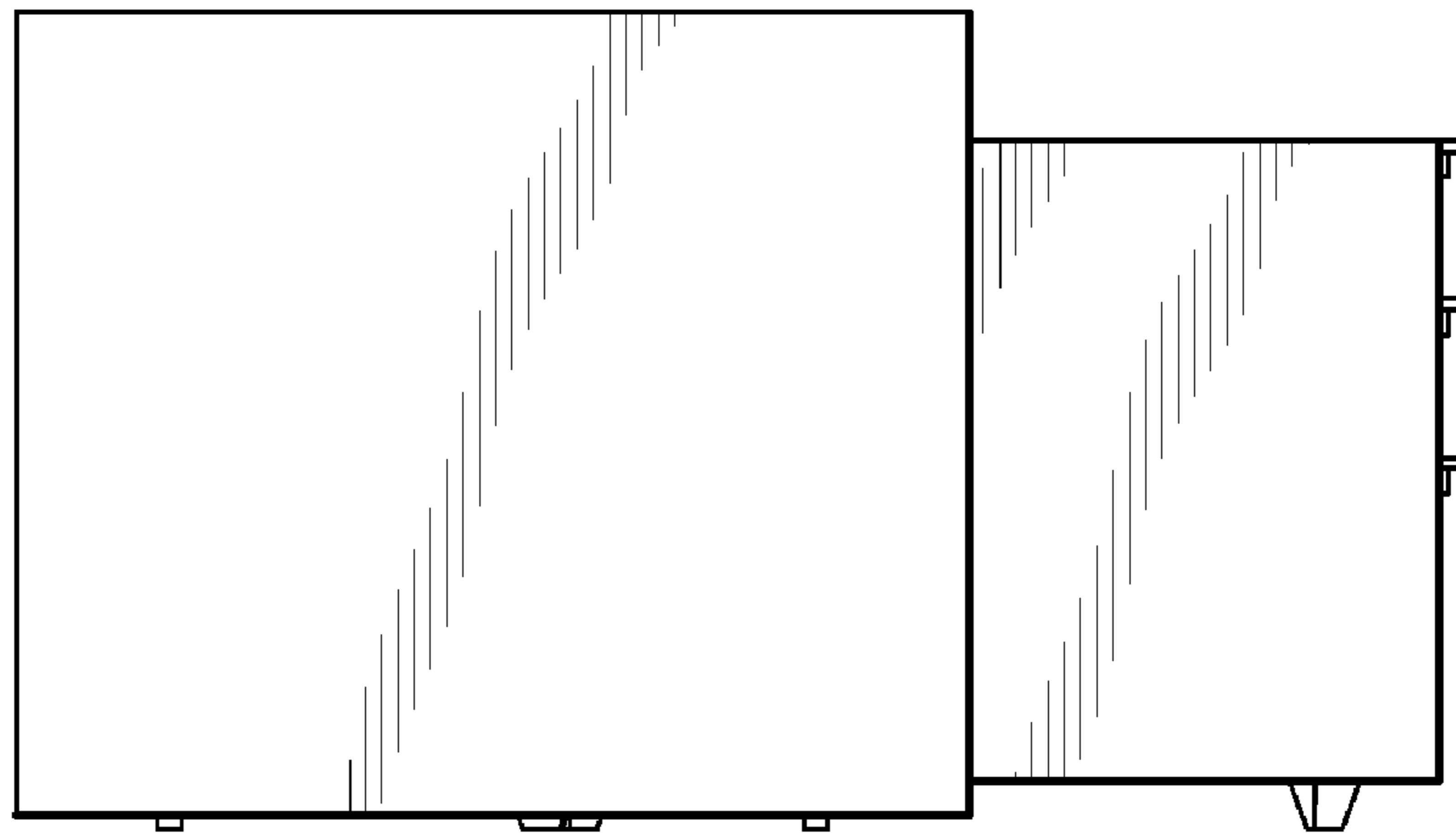
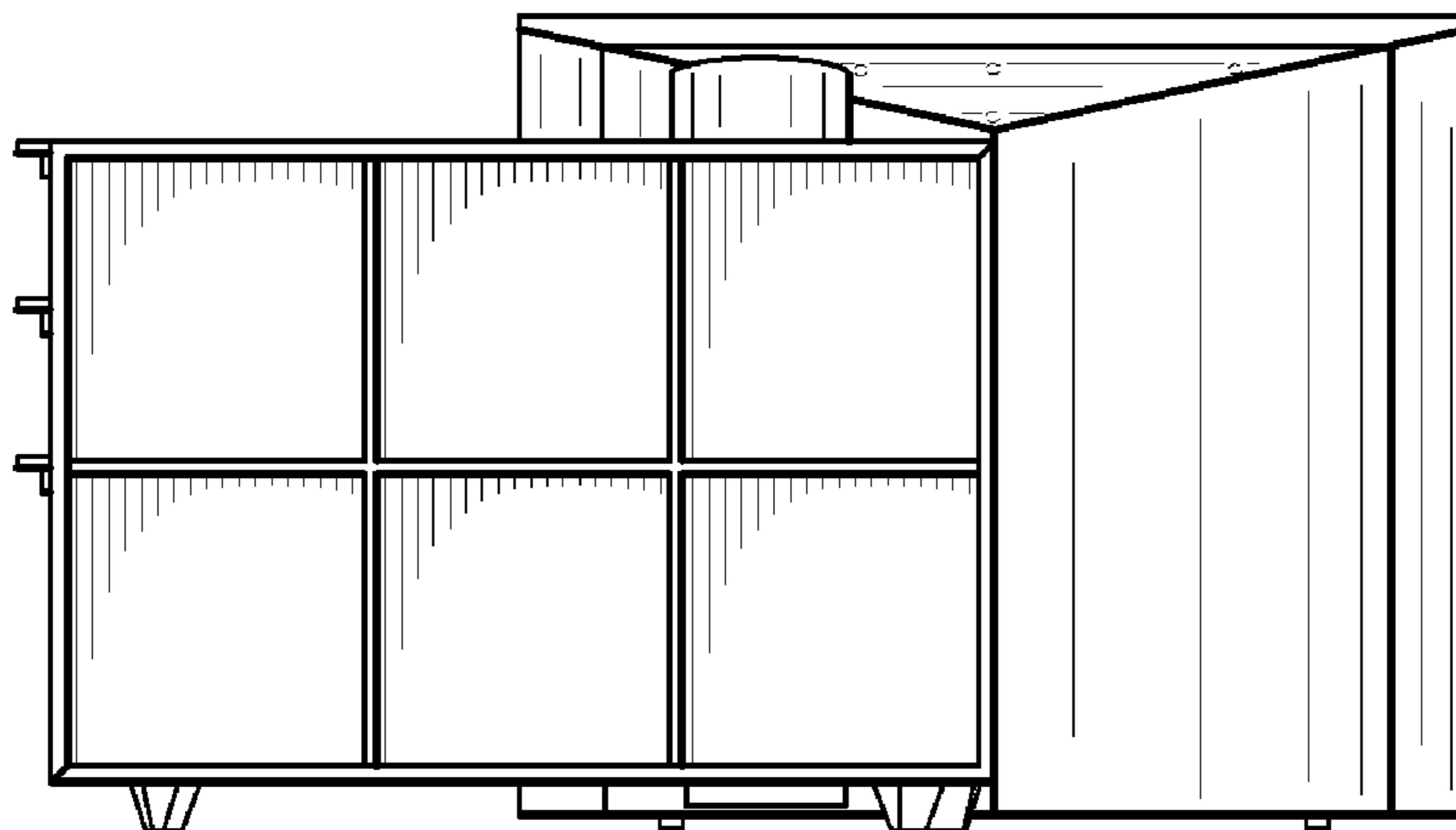


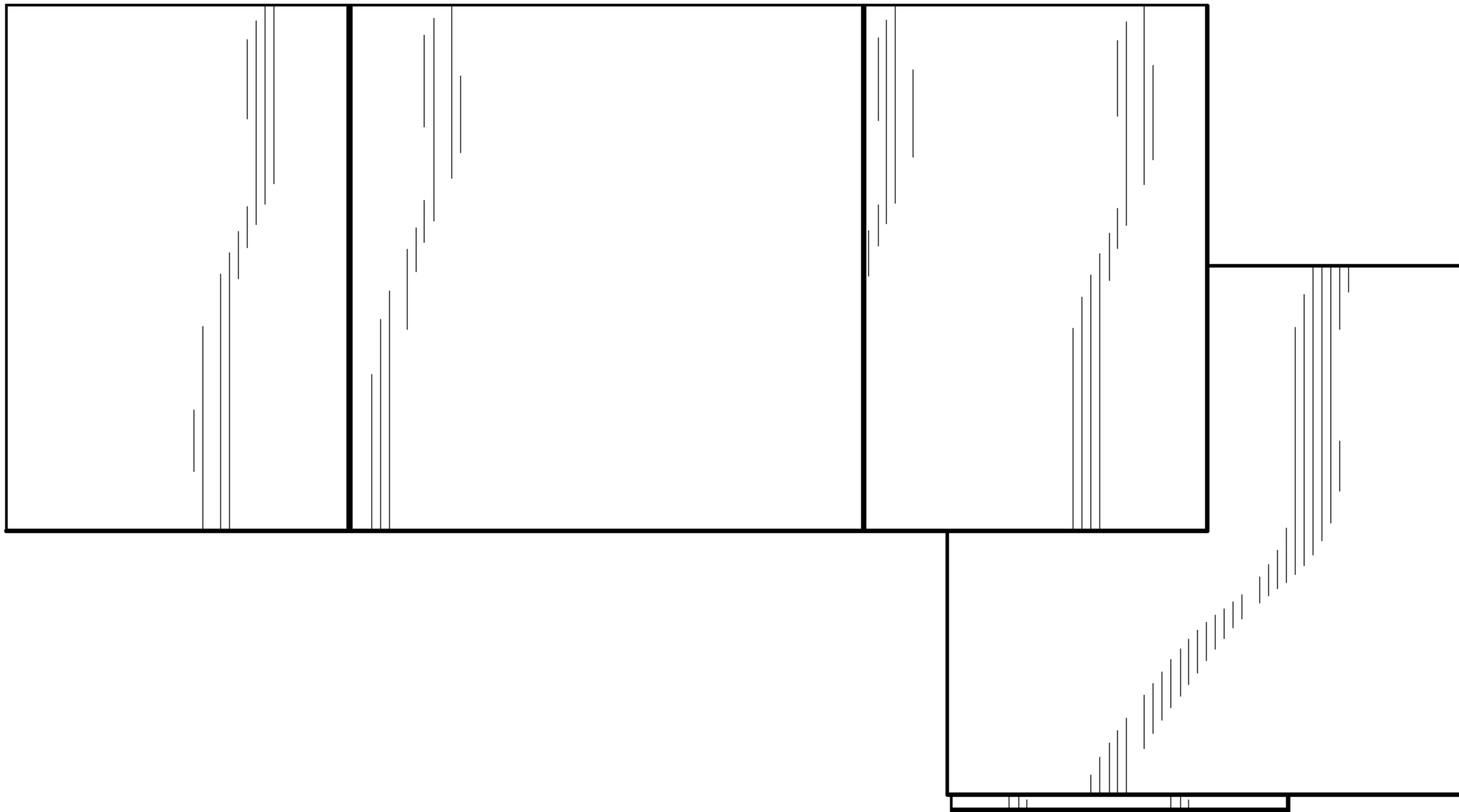
FIG. 2



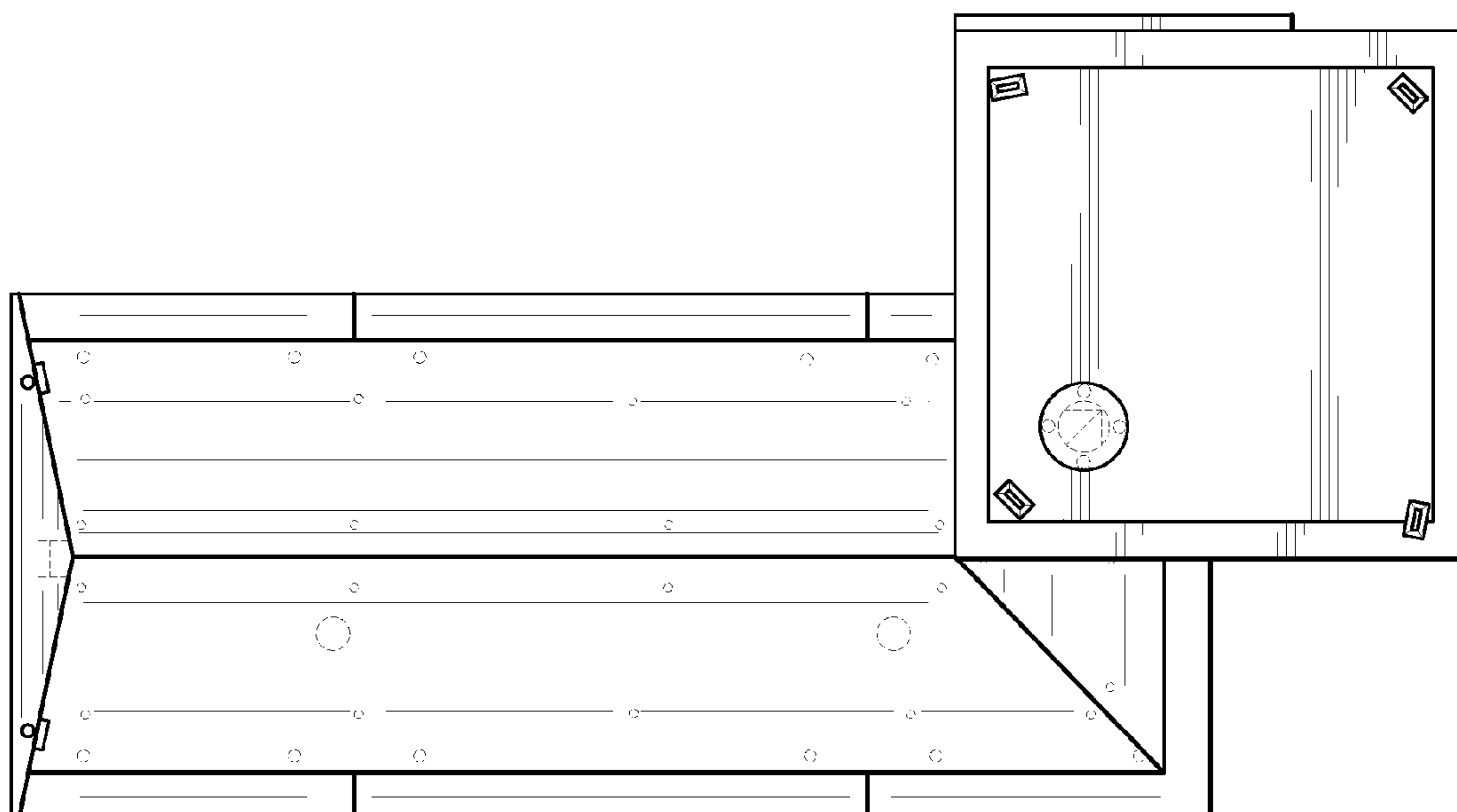
**FIG. 3**



**FIG. 4**



**FIG. 5**



**FIG. 6**

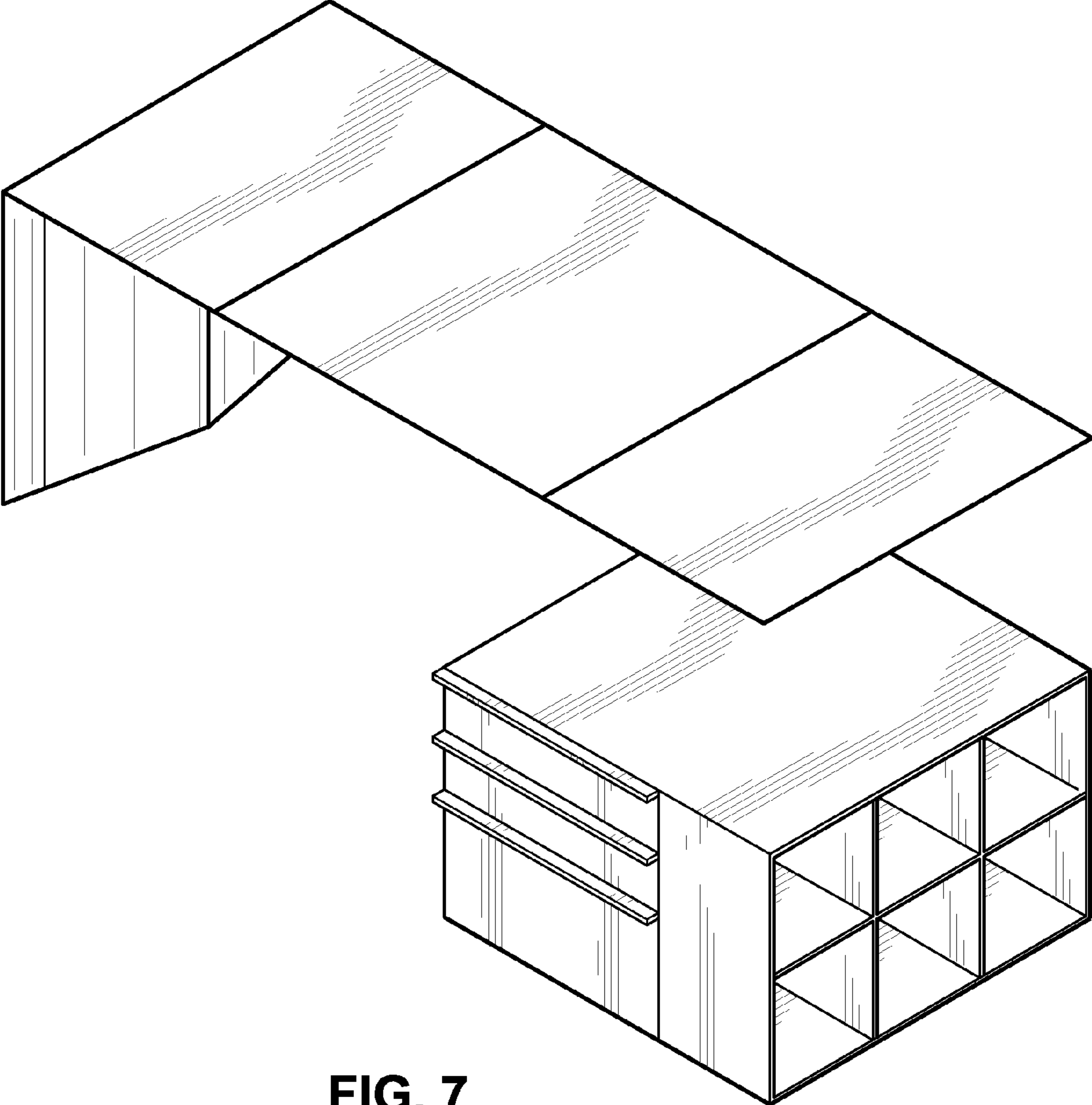


FIG. 7