



US00D625118S

(12) **United States Design Patent**  
**Gillingham**

(10) **Patent No.:** **US D625,118 S**

(45) **Date of Patent:** **\*\* Oct. 12, 2010**

(54) **MOBILE PLANT STAND**

(76) Inventor: **Robert Joseph Gillingham**, 15201 NE.  
6th Pl., Bellevue, WA (US) 98007

(\*\*) Term: **14 Years**

(21) Appl. No.: **29/314,190**

(22) Filed: **Mar. 13, 2009**

(51) **LOC (9) Cl.** ..... **11-02**

(52) **U.S. Cl.** ..... **D6/403**

(58) **Field of Classification Search** ..... D6/366,  
D6/403-405, 498, 556-558; D8/1; D11/143-145,  
D11/148; D25/100; D34/5, 6; D99/19;  
47/39, 42-47, 67, 68, 71

See application file for complete search history.

(56) **References Cited**

**U.S. PATENT DOCUMENTS**

D404,598 S *	1/1999	Chen	.....	D6/498
D481,885 S *	11/2003	Sellers	.....	D6/403
D503,562 S *	4/2005	Sellers	.....	D6/403
D509,387 S *	9/2005	Chen	.....	D6/498
7,114,288 B1 *	10/2006	Kershaw	.....	47/39
D555,389 S *	11/2007	Kershaw	.....	D6/403

D562,585 S *	2/2008	Gillingham	.....	D6/403
D584,907 S *	1/2009	Egger	.....	D6/498
D592,904 S *	5/2009	Goodman et al.	.....	D7/388

\* cited by examiner

*Primary Examiner*—Garth Rademaker

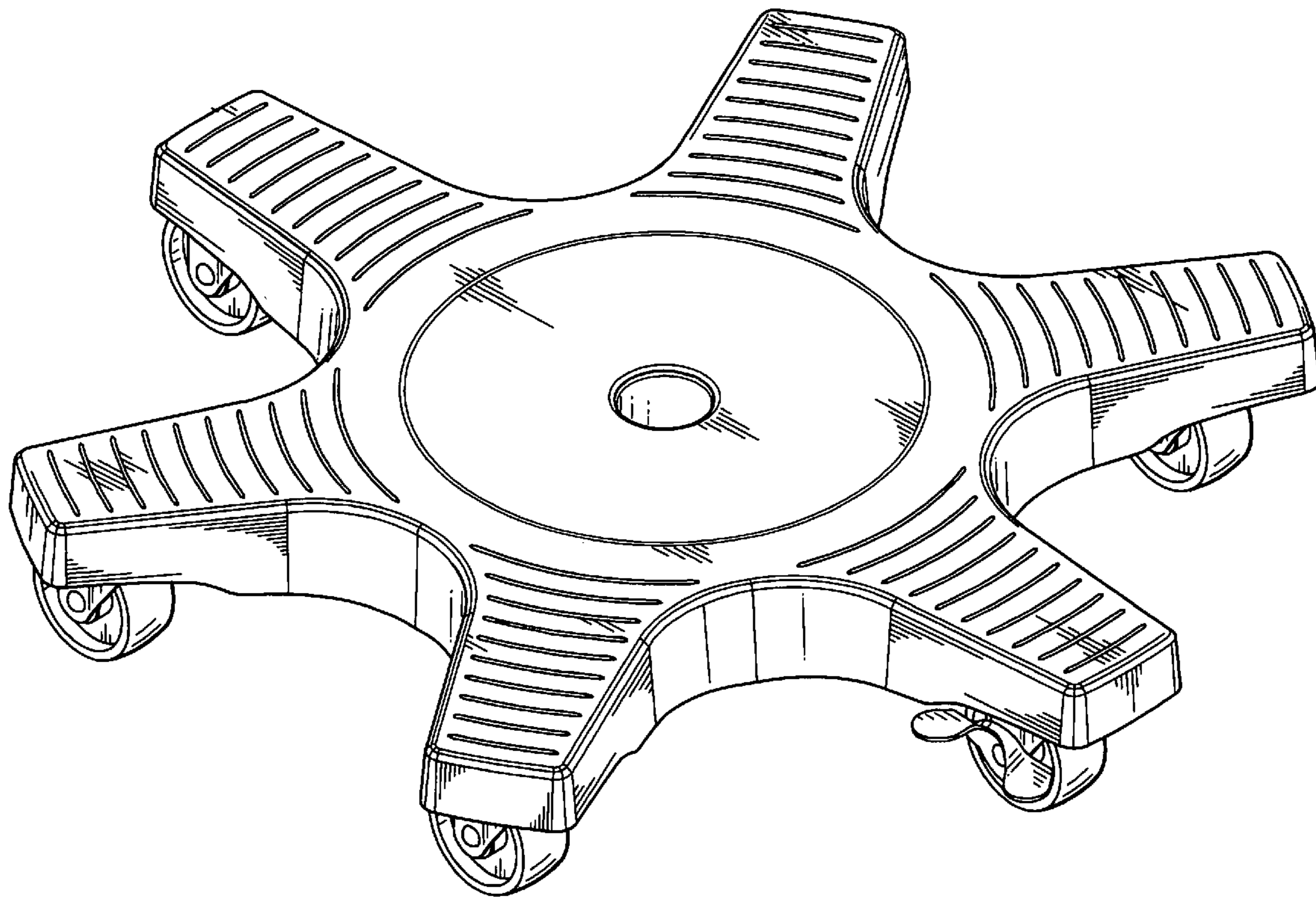
(57) **CLAIM**

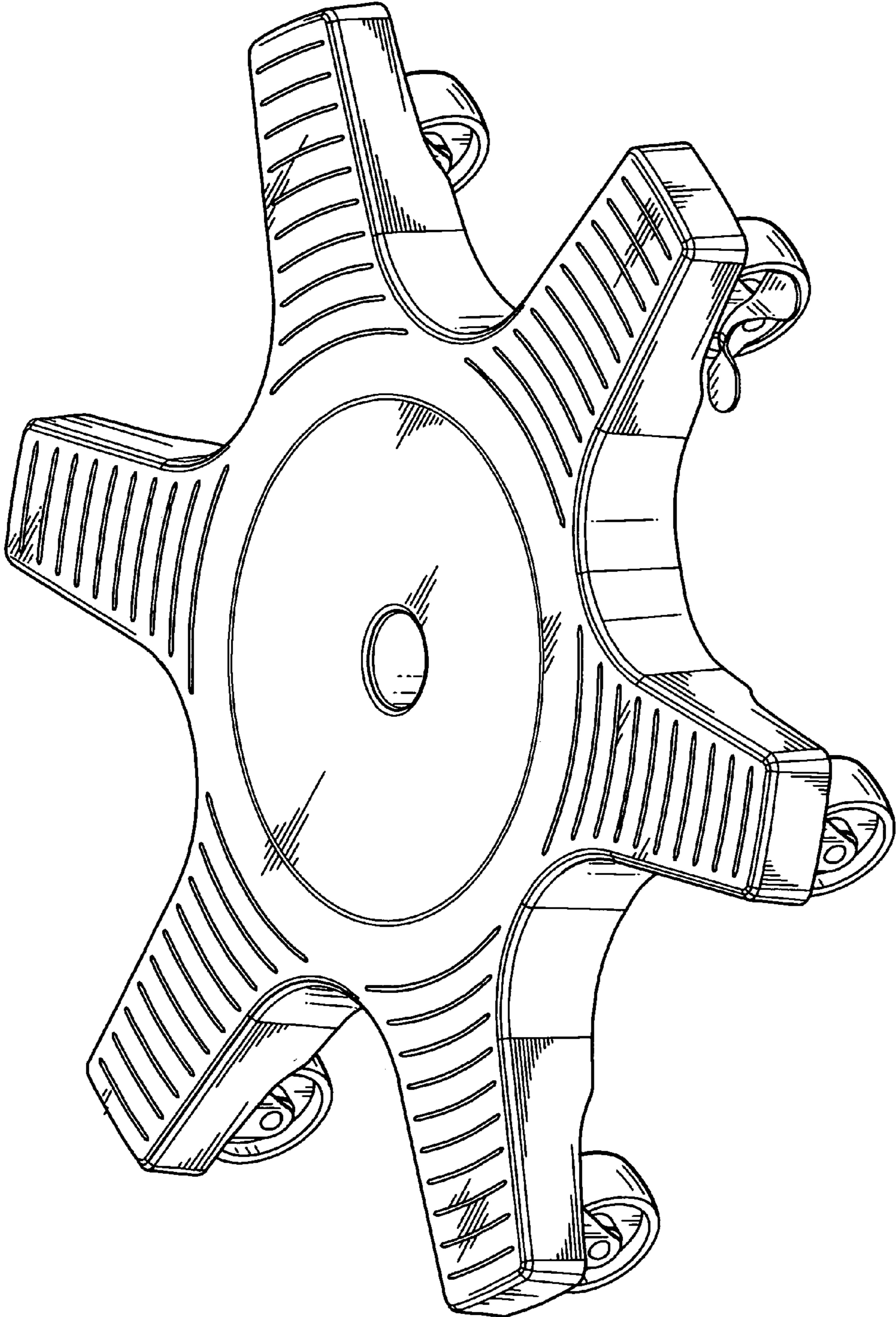
I claim the ornamental design for a mobile plant stand, as shown and described.

**DESCRIPTION**

- FIG. 1 is an isometric view of a mobile plant stand;
- FIG. 2 is a top view of the mobile plant stand;
- FIG. 3 is a bottom view of the mobile plant stand; the broken line areas depict environmental structure only and form no part of the claimed design;
- FIG. 4 is front view of the mobile plant stand;
- FIG. 5 is a rear view of the mobile plant stand;
- FIG. 6 is a right side view of the mobile plant stand; and
- FIG. 7 is a left side view of the mobile plant stand.

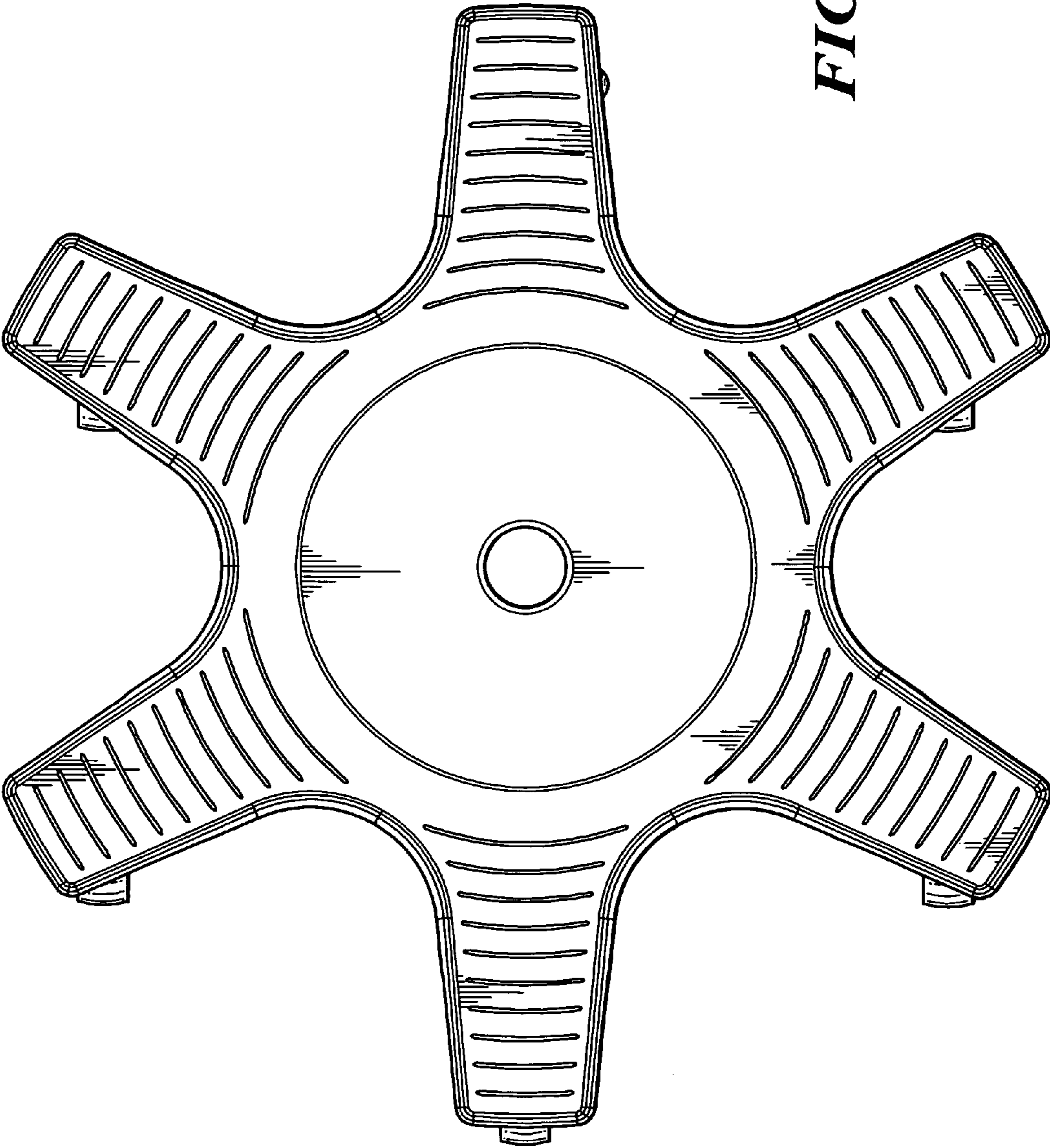
**1 Claim, 7 Drawing Sheets**



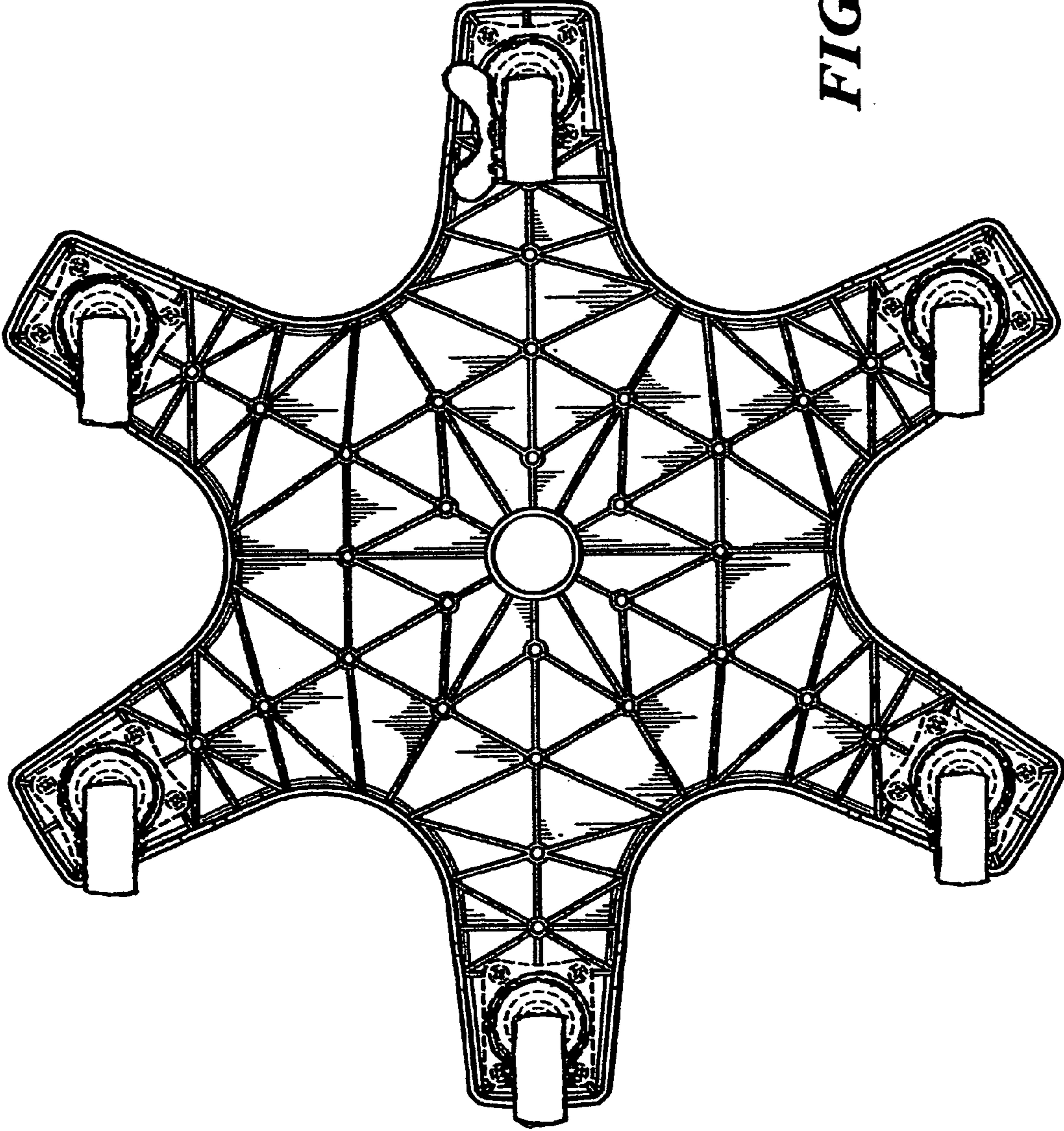


**FIG. 1**

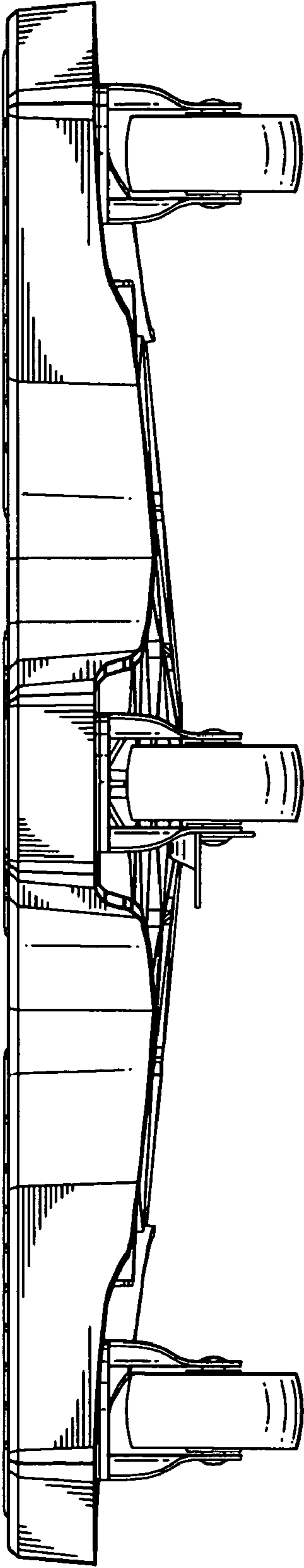
**FIG. 2**



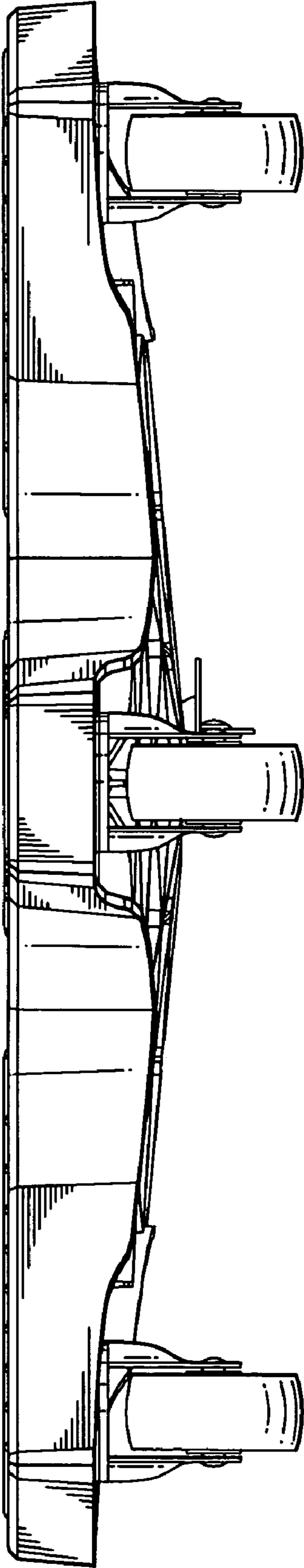




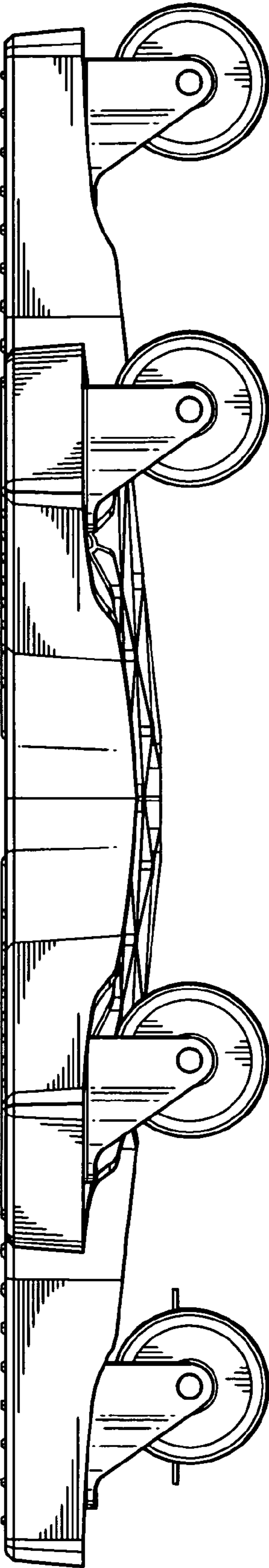
**FIG.3**



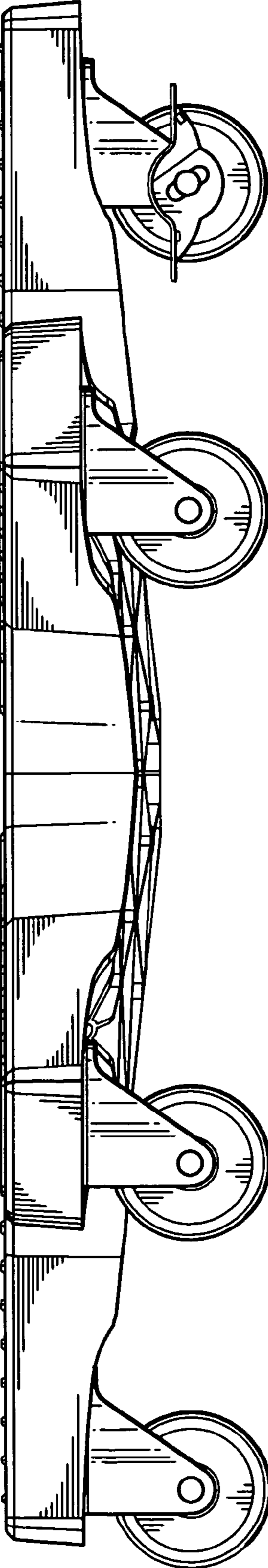
**FIG. 4**



**FIG. 5**



**FIG. 6**



**FIG. 7**