



US00D625117S

(12) **United States Design Patent**  
**Houriet**

(10) **Patent No.:** **US D625,117 S**  
(45) **Date of Patent:** **\*\* Oct. 12, 2010**

(54) **CONTEMPORARY LOUNGE CHAIR**

(75) Inventor: **Dominique Rene Houriet**, San Diego,  
CA (US)

(73) Assignee: **Dominique Rene Houriet**

(\*\*) Term: **14 Years**

(21) Appl. No.: **29/359,243**

(22) Filed: **Apr. 7, 2010**

(51) **LOC (9) Cl.** ..... **06-01**

(52) **U.S. Cl.** ..... **D6/379; D6/375**

(58) **Field of Classification Search** ..... D6/334-336,  
D6/364, 369, 371, 373, 374, 375, 376, 379,  
D6/380, 500-502; 297/411.43, 411.45, 445.1,  
297/446.1, 451.9, 452.64

See application file for complete search history.

(56) **References Cited**

**U.S. PATENT DOCUMENTS**

D219,444 S \* 12/1970 Chichester, Jr. .... D6/375  
D234,988 S \* 4/1975 Lopez-Benitez ..... D6/334

D438,398 S \* 3/2001 Frinier ..... D6/375  
D544,724 S \* 6/2007 Gower ..... D6/379  
D572,929 S \* 7/2008 van Ierssel et al. .... D6/375  
D588,825 S \* 3/2009 van Ierssel et al. .... D6/375

\* cited by examiner

*Primary Examiner*—Mimosa De

(57) **CLAIM**

The ornamental design for a contemporary lounge chair, as shown and described.

**DESCRIPTION**

FIG. 1 is a frontal perspective view of a contemporary lounge chair embodying my new design.

FIG. 2 is a front view thereof.

FIG. 3 is a back view thereof.

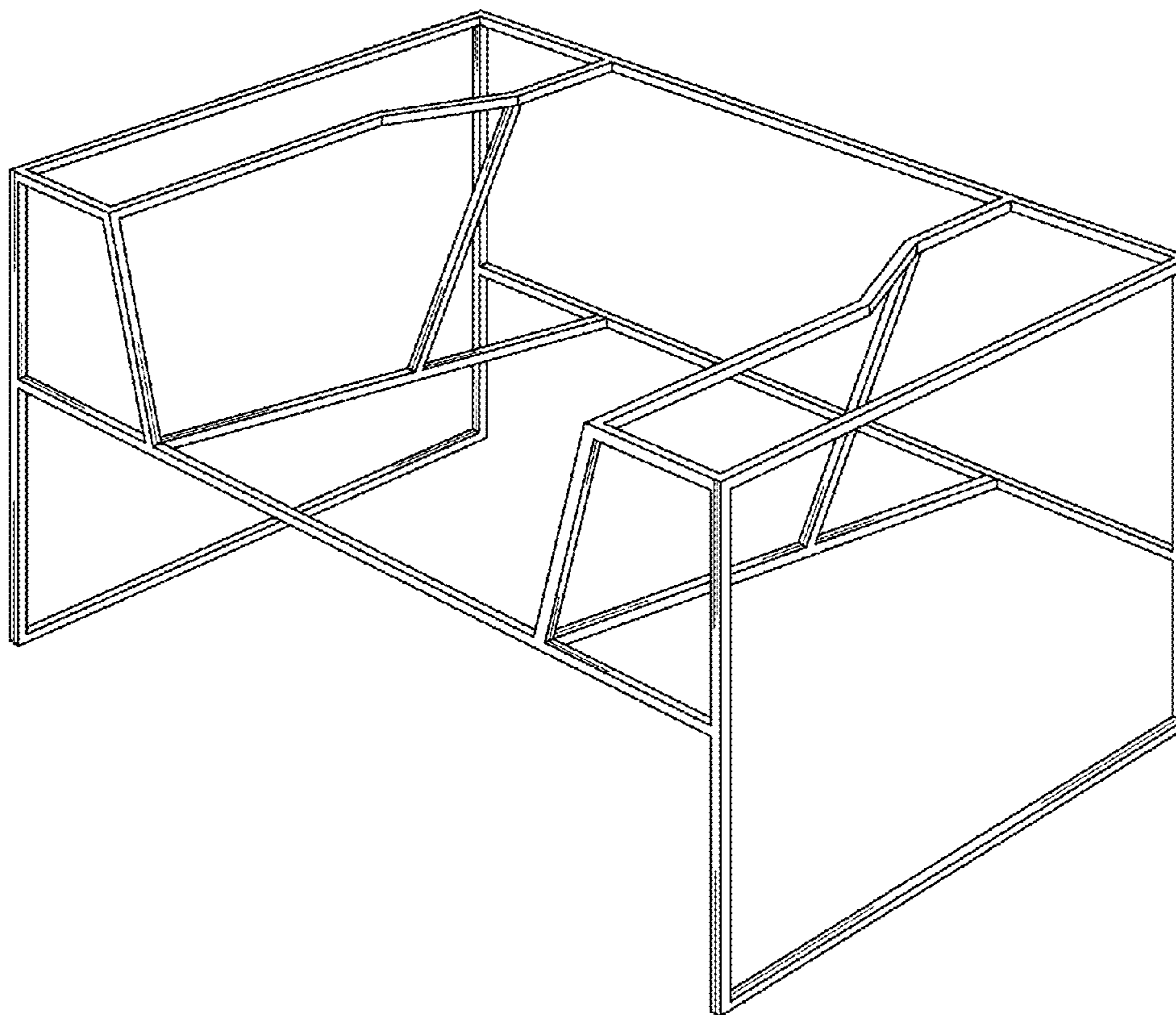
FIG. 4 is a right side view thereof.

FIG. 5 is a left side view thereof.

FIG. 6 is a bottom plan view thereof; and,

FIG. 7. Is a top plan view thereof.

**1 Claim, 4 Drawing Sheets**



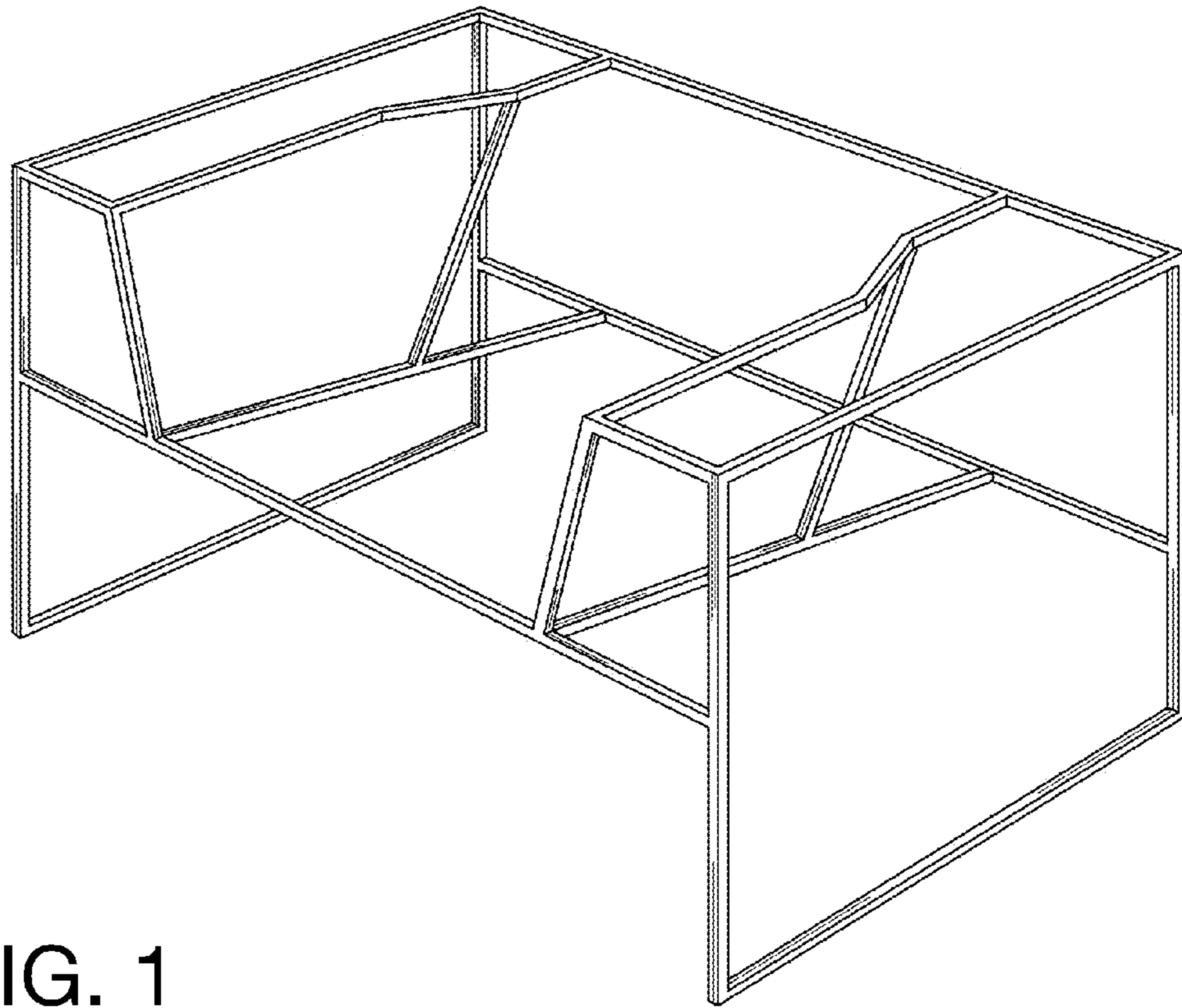


FIG. 1

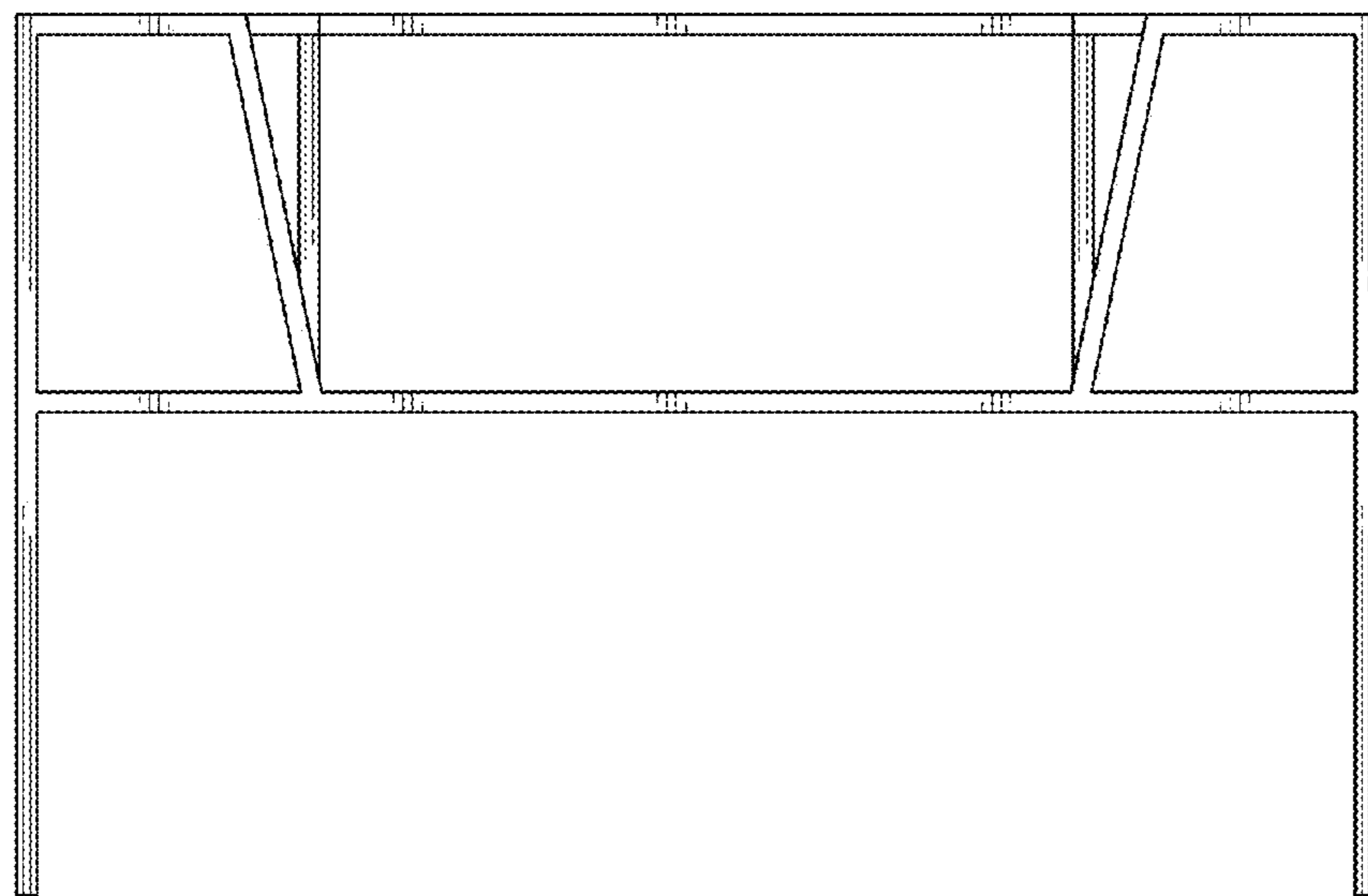


FIG. 2

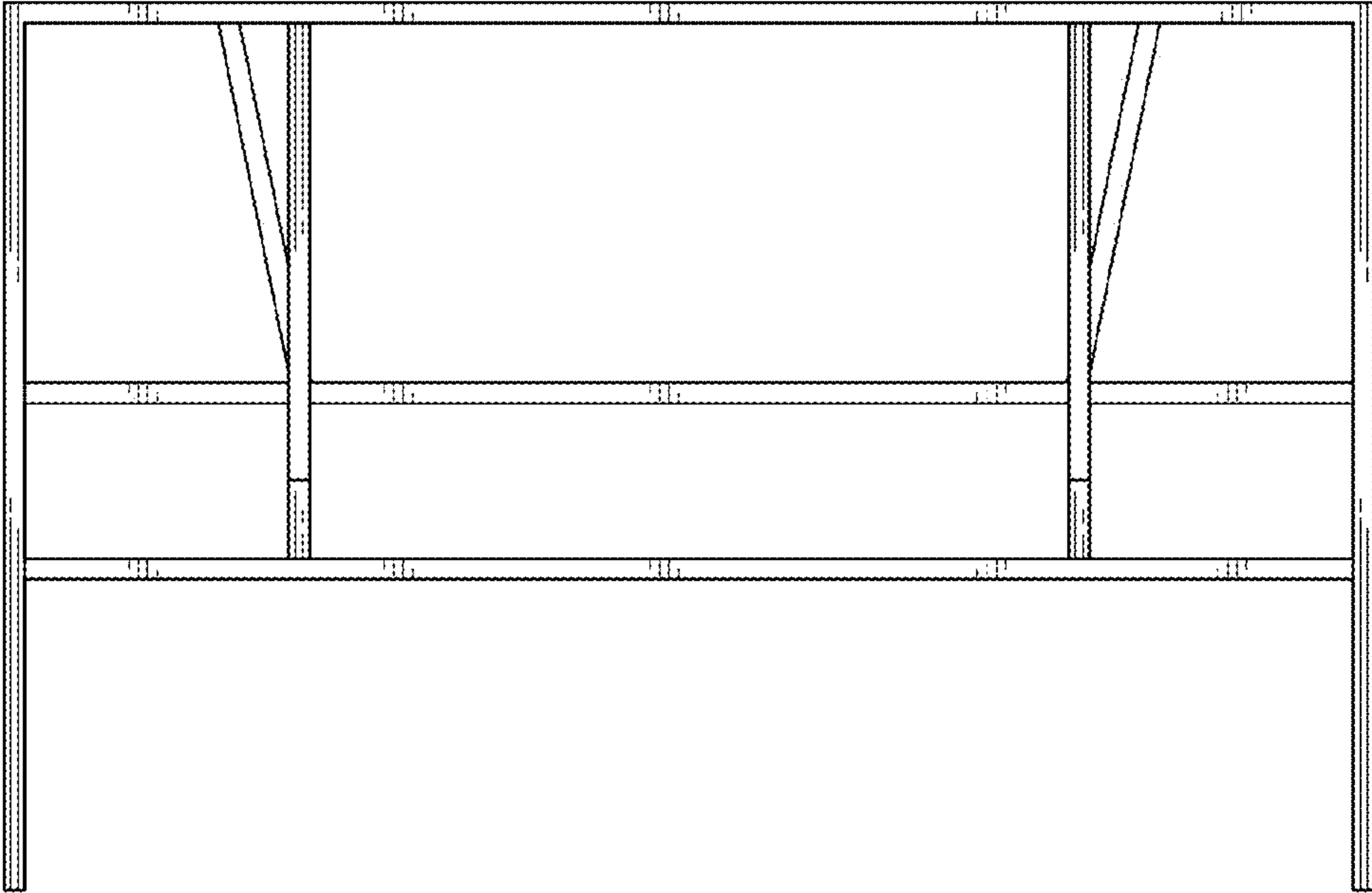


FIG. 3

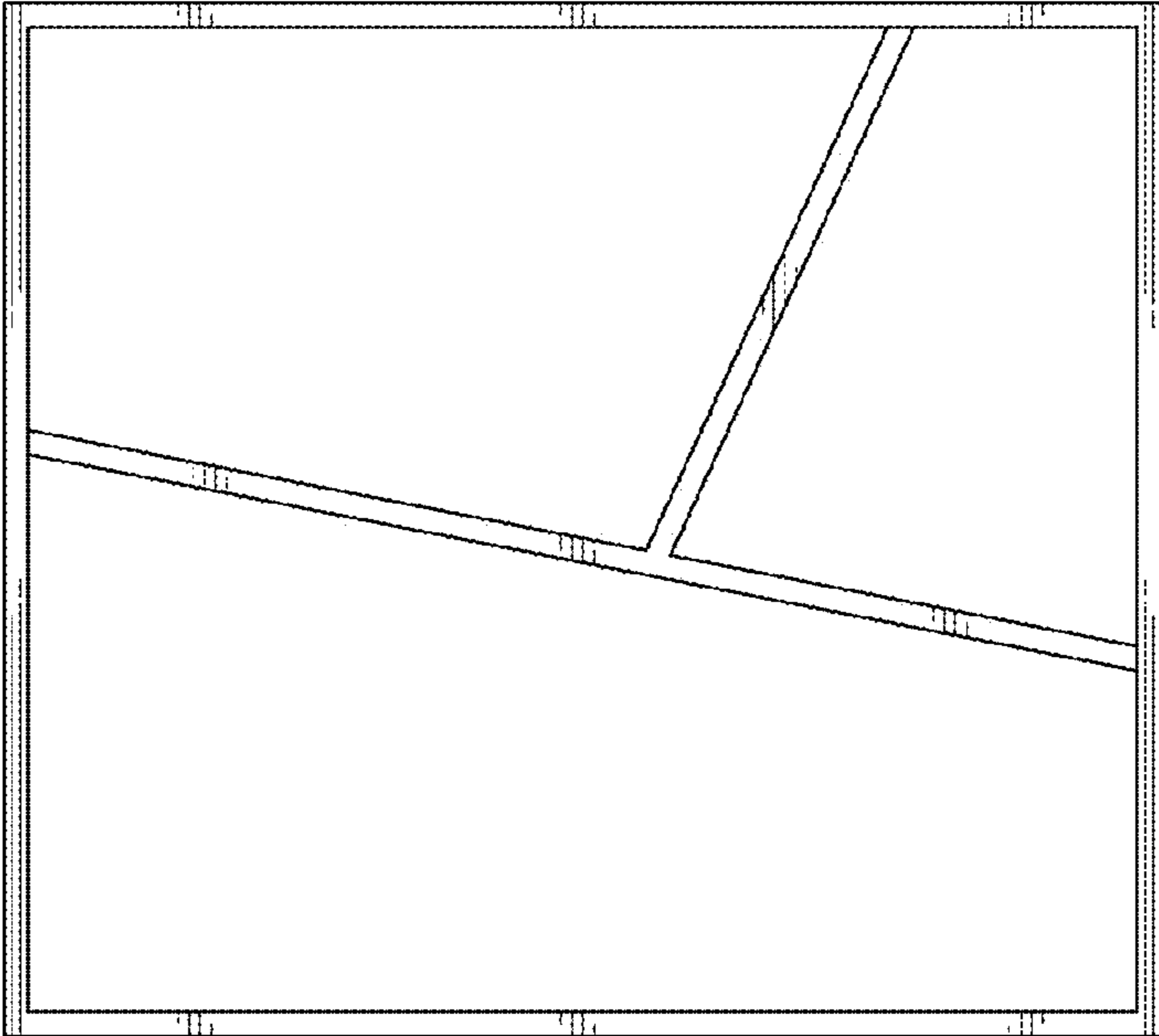


FIG. 4

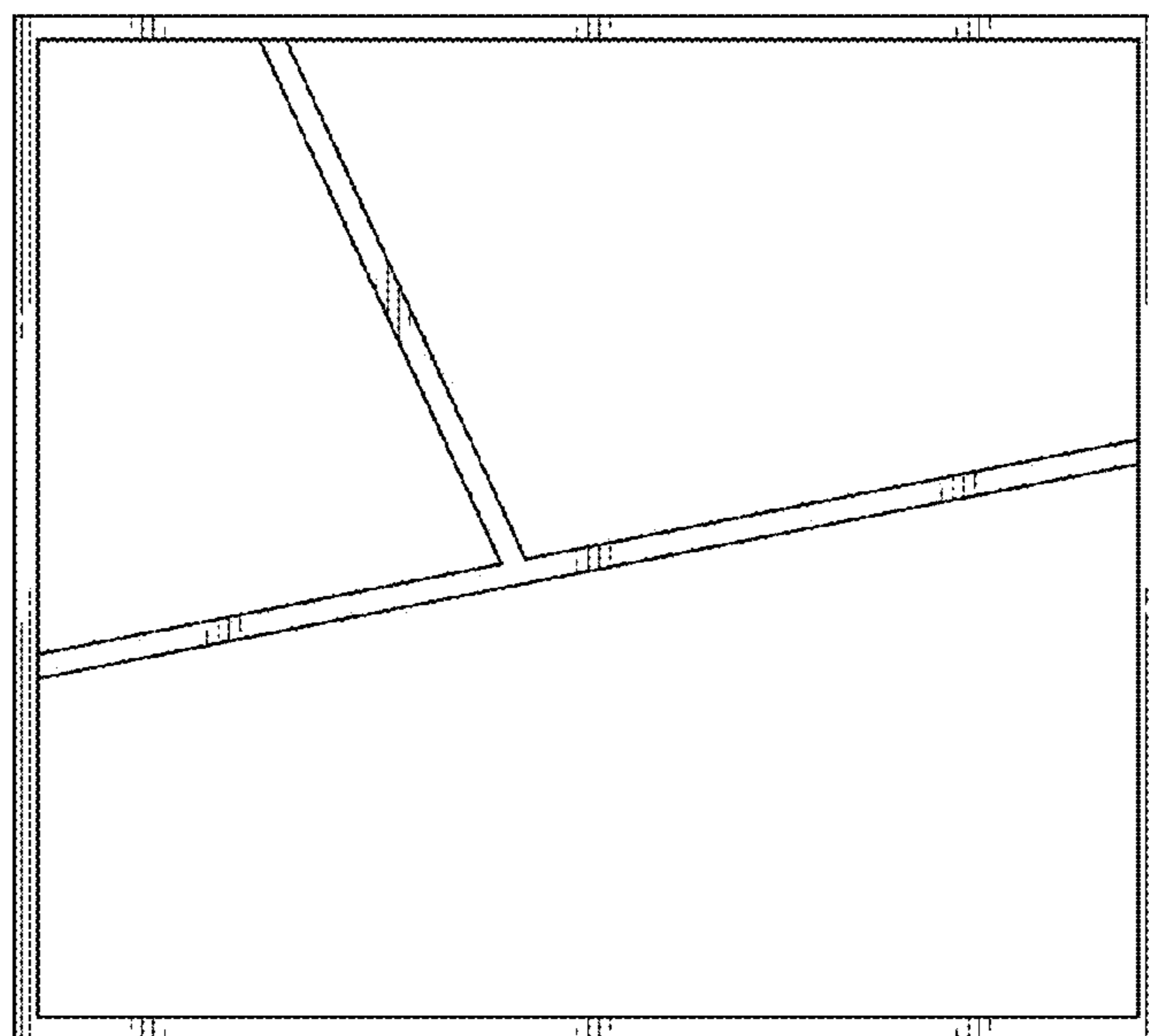


FIG. 5

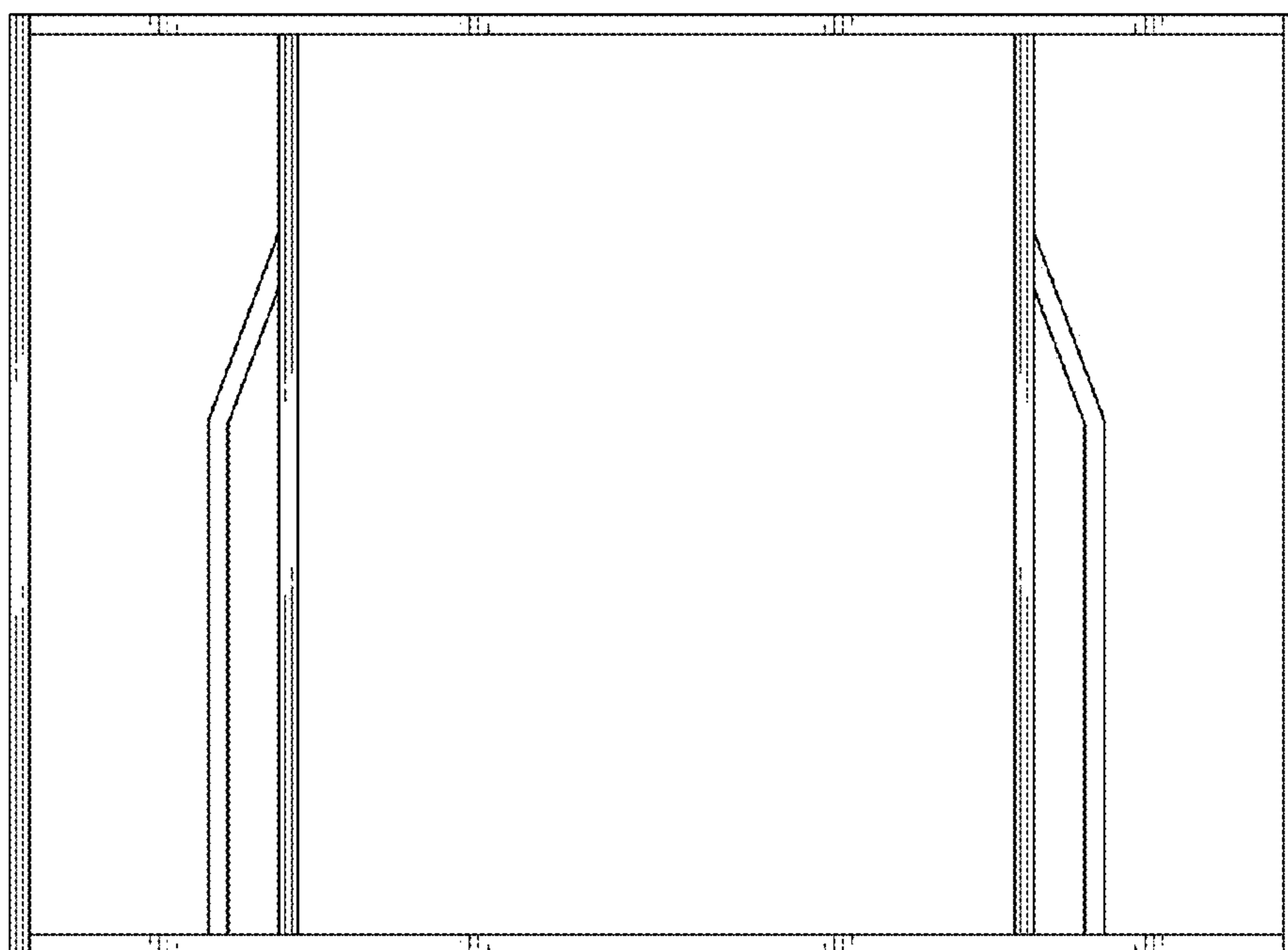


FIG. 6

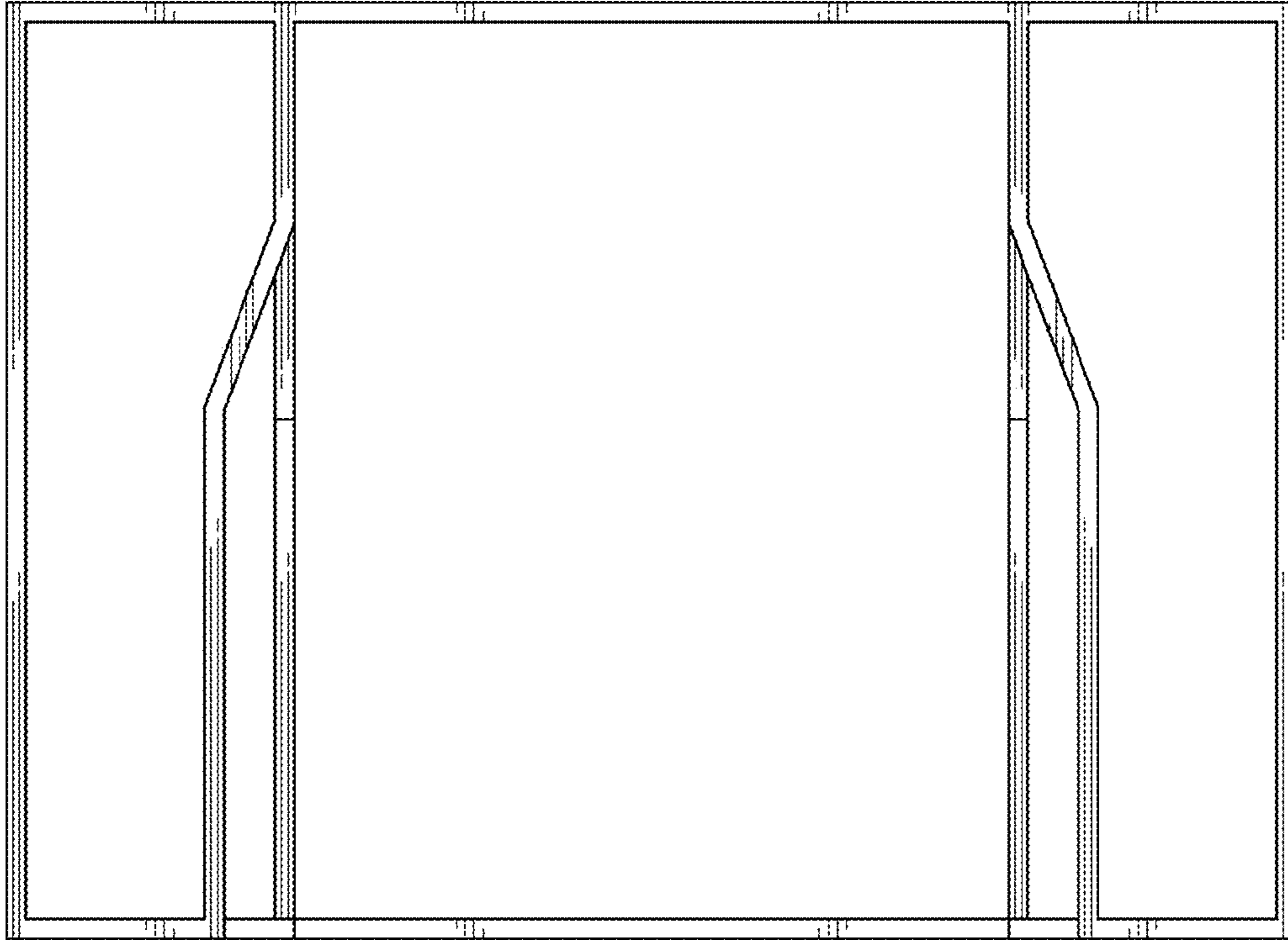


FIG. 7