



US00D625115S

(12) **United States Design Patent**
Houriet

(10) **Patent No.:** **US D625,115 S**
(45) **Date of Patent:** **** Oct. 12, 2010**

(54) **CONTEMPORARY ROCKING CHAIR**

(75) Inventor: **Dominique Rene Houriet**, 4109 Florida St., San Diego, CA (US) 92104

(73) Assignee: **Dominique Rene Houriet**

(**) Term: **14 Years**

(21) Appl. No.: **29/359,235**

(22) Filed: **Apr. 7, 2010**

(51) **LOC (9) Cl.** **06-01**

(52) **U.S. Cl.** **D6/348**

(58) **Field of Classification Search** D6/334-336, D6/341, 345, 348, 369, 371, 372, 373, 374, D6/375, 376, 379, 380, 500-502; 297/258.1, 297/271.5, 271.6, 272.1, 270.3, 411.42
See application file for complete search history.

(56) **References Cited**

U.S. PATENT DOCUMENTS

- D151,675 S * 11/1948 Bird D6/348
- D239,223 S * 3/1976 Smith D6/348
- D246,621 S * 12/1977 Voorhees, Jr. D6/348

- D412,406 S * 8/1999 Stumpf et al. D6/348
- D466,711 S * 12/2002 Lundstrom D6/373
- D556,465 S * 12/2007 Massaud D6/348
- D572,929 S * 7/2008 van Ierssel et al. D6/375
- D588,825 S * 3/2009 van Ierssel et al. D6/375

* cited by examiner

Primary Examiner—Mimosa De

(57) **CLAIM**

The ornamental design for a contemporary rocking chair, as shown and described.

DESCRIPTION

FIG. 1 is a frontal perspective view of a contemporary rocking chair embodying my new design.

FIG. 2 is a front elevation view thereof.

FIG. 3 is a back elevation view thereof.

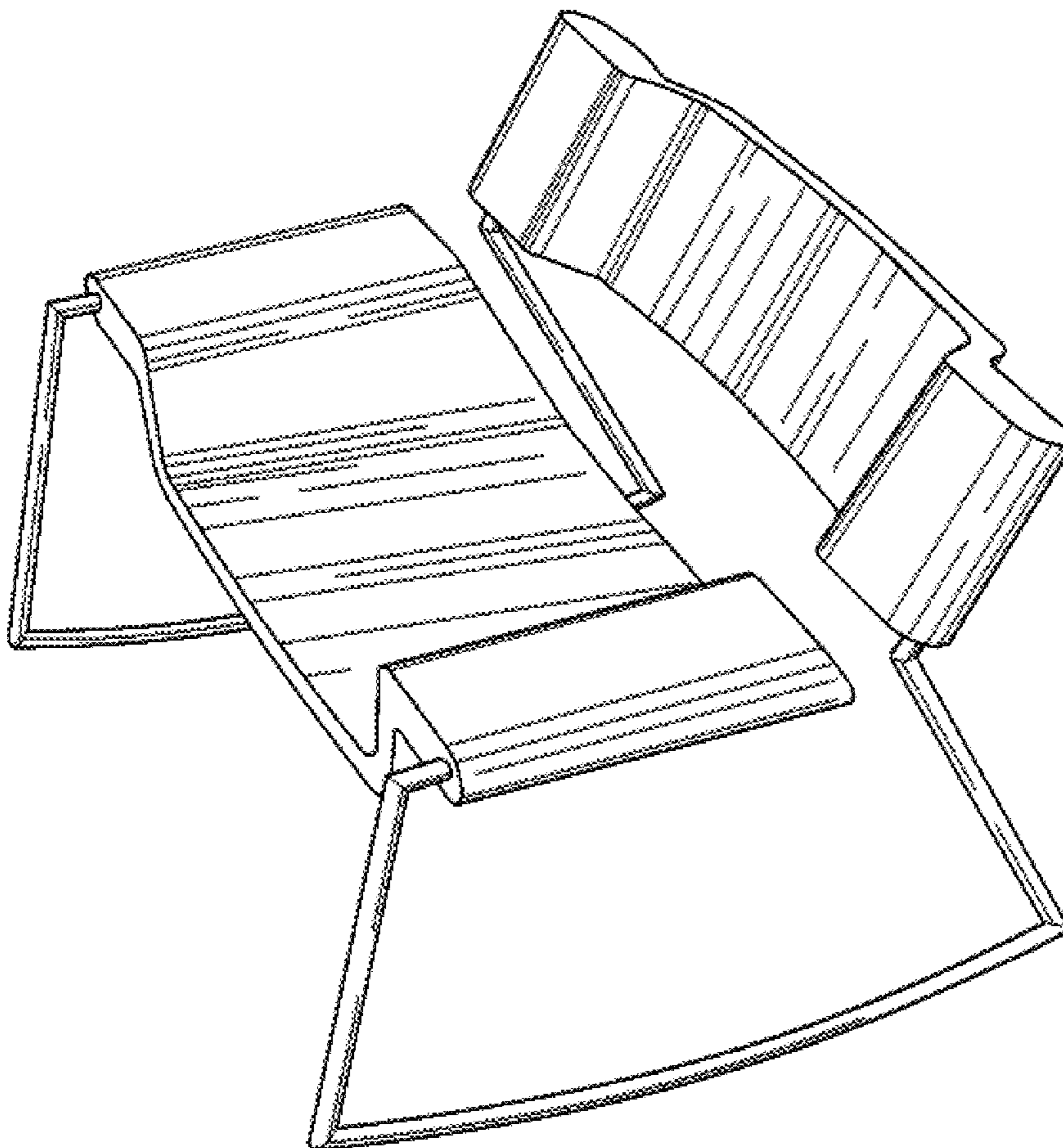
FIG. 4 is a right side elevation view thereof.

FIG. 5 is a left side elevation view thereof.

FIG. 6 is a bottom plan view thereof; and,

FIG. 7. Is a top plan view thereof.

1 Claim, 4 Drawing Sheets



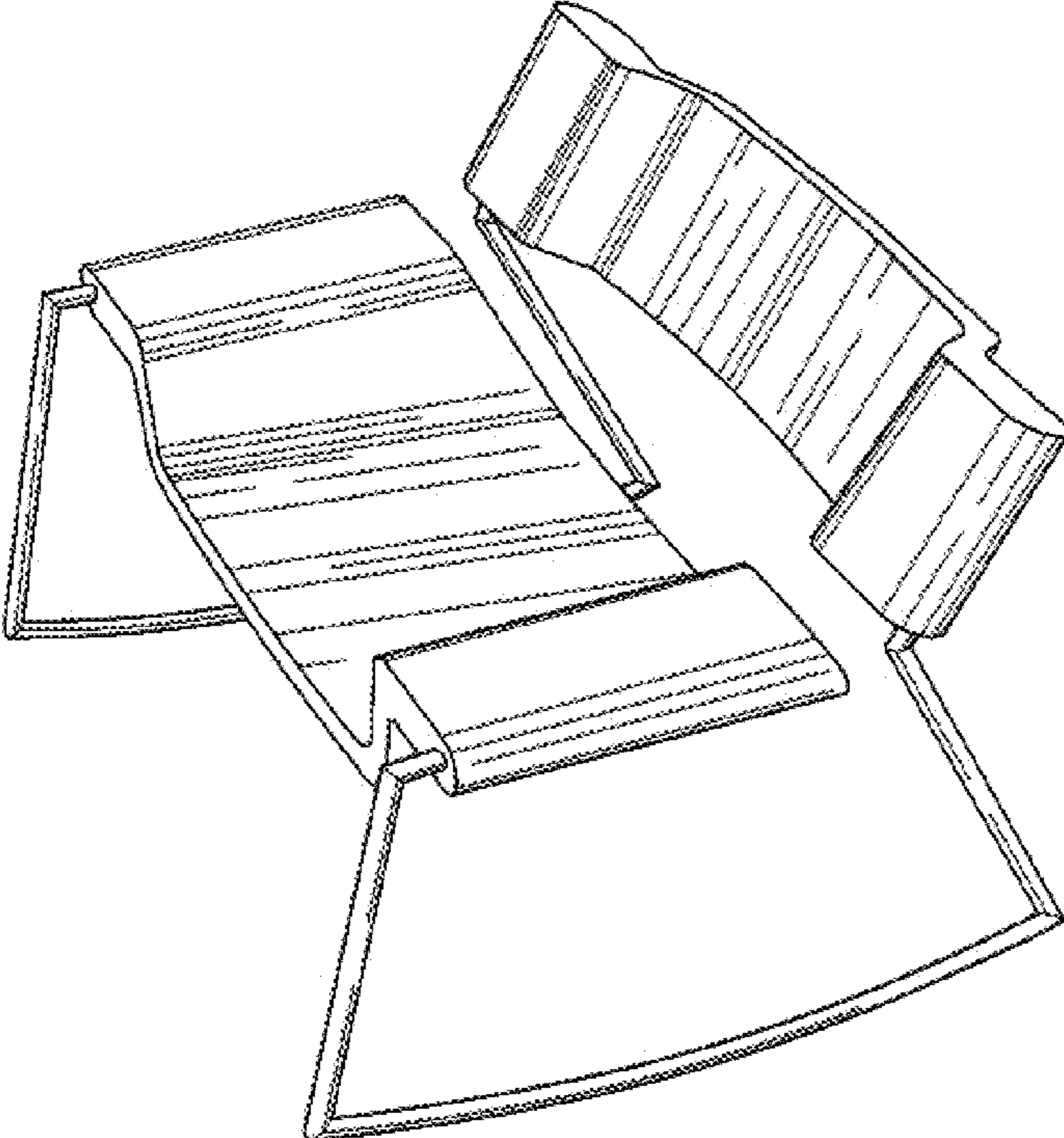


FIG. 1

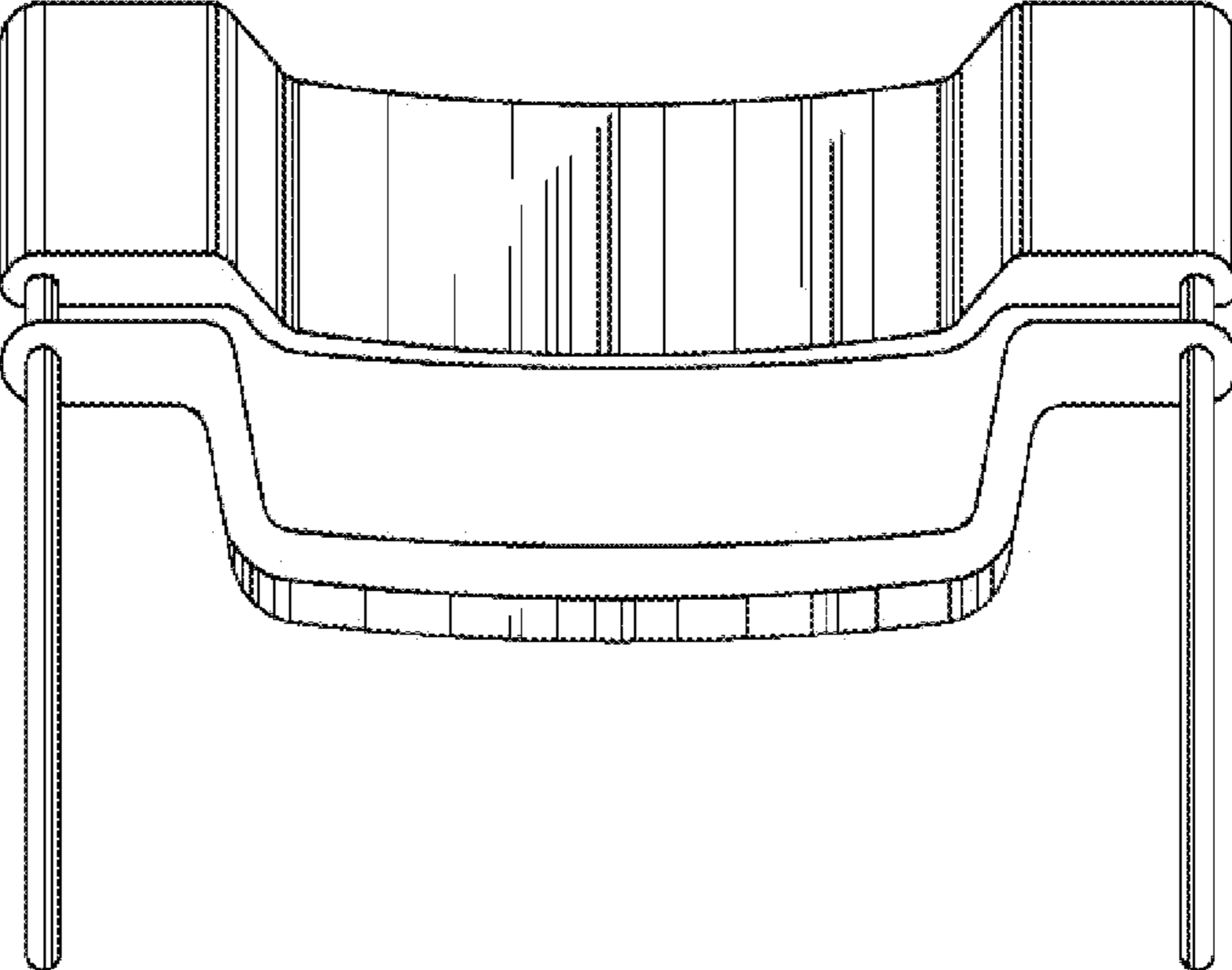


FIG. 2

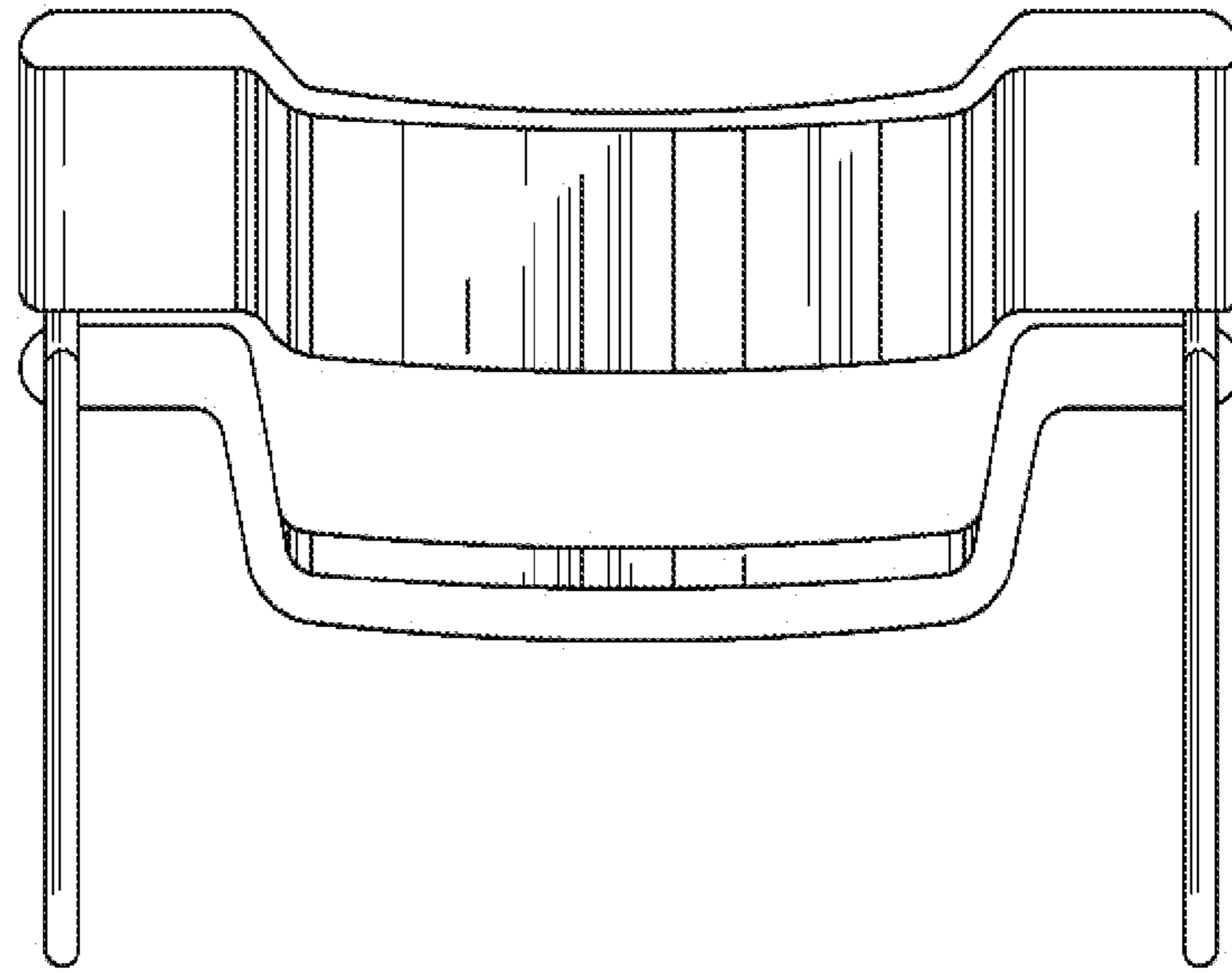


FIG. 3

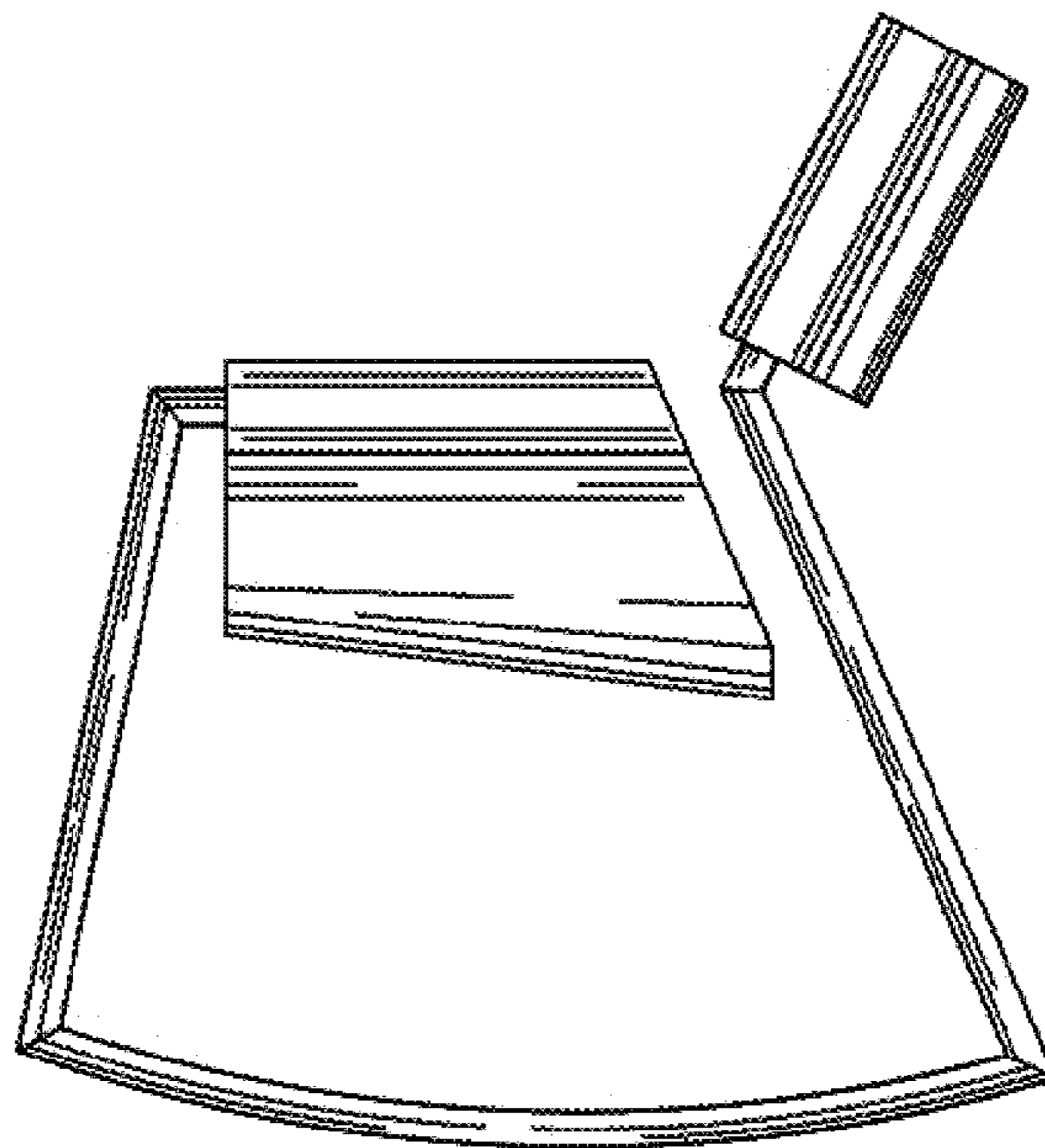


FIG. 4

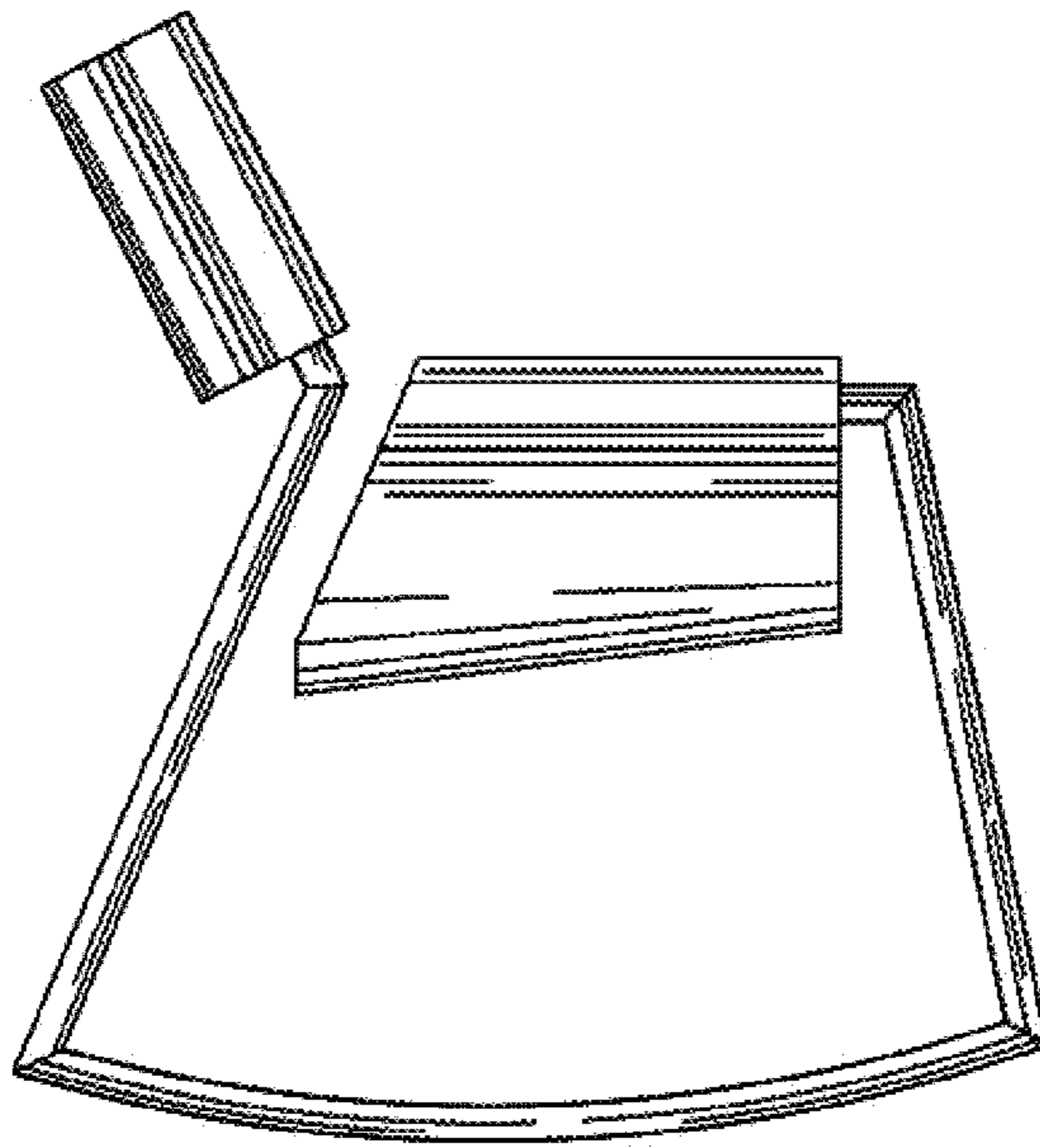


FIG. 5

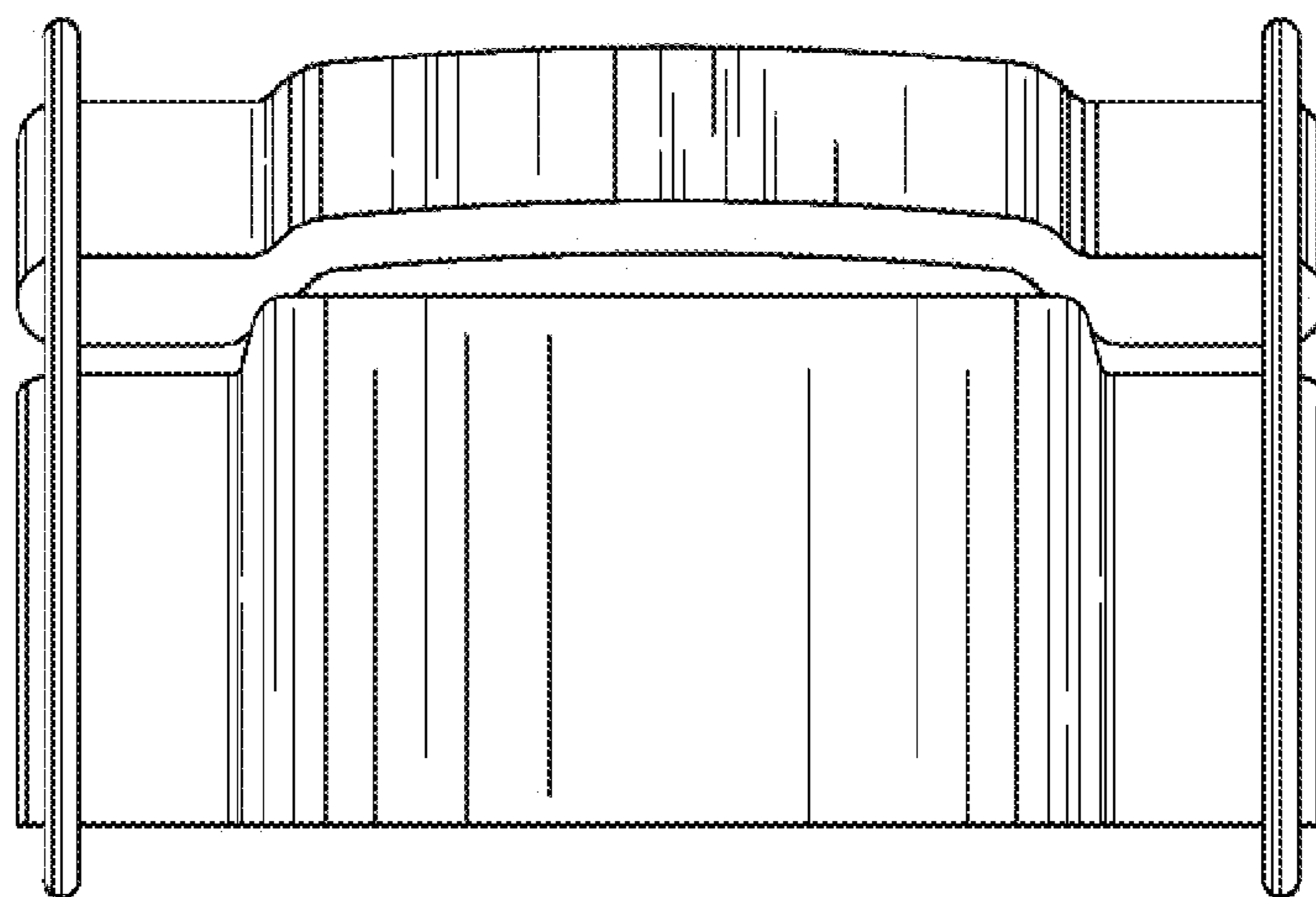


FIG. 6

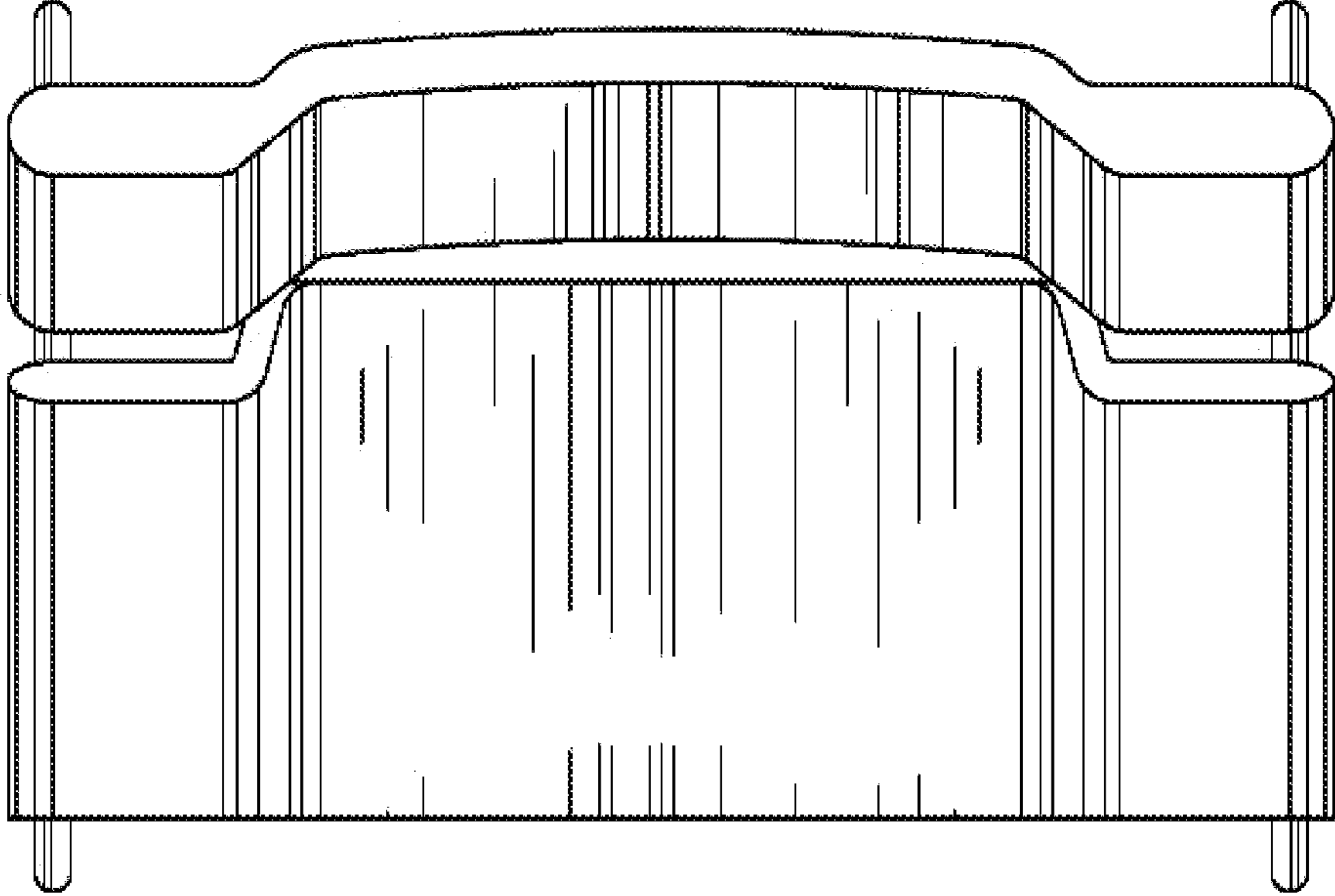


FIG. 7