



US00D625114S

(12) **United States Design Patent**
Gouldson

(10) **Patent No.:** **US D625,114 S**
(45) **Date of Patent:** **** Oct. 12, 2010**

(54) **SIZER**

(76) **Inventor:** **Stanley F. Gouldson**, 10 Harbour Point
Dr., Northport, NY (US) 11768

(**) **Term:** **14 Years**

(21) **Appl. No.:** **29/352,427**

(22) **Filed:** **Dec. 21, 2009**

Related U.S. Application Data

(63) Continuation of application No. 29/323,704, filed on
Aug. 29, 2008, now abandoned, which is a continua-
tion-in-part of application No. 11/679,390, filed on
Feb. 27, 2007, now Pat. No. 7,513,400.

(51) **LOC (9) Cl.** **06-08**

(52) **U.S. Cl.** **D6/328**

(58) **Field of Classification Search** D6/315,
D6/328; 211/1, 13.1, 85.3, 183; 223/85-98
See application file for complete search history.

(56) **References Cited**

U.S. PATENT DOCUMENTS

1,544,844	A	7/1925	Levkowits
1,888,137	A	11/1932	Molner
2,586,913	A	2/1952	Burns
4,123,864	A	11/1978	Batts et al.
4,160,333	A	7/1979	Indelicato
4,322,902	A	4/1982	Lenthall
4,881,836	A	11/1989	Blanchard
5,377,884	A	1/1995	Zuckerman
5,398,854	A	3/1995	Blanchard
5,503,310	A	4/1996	Zuckerman et al.
5,503,311	A	4/1996	Chen
5,577,644	A	11/1996	Chen
5,586,697	A	12/1996	Johansson
5,687,887	A	11/1997	Bond et al.
6,170,721	B1	1/2001	Chen

D510,198	S	*	10/2005	Willardson	D6/328
D528,807	S	*	9/2006	Mainetti	D6/328
7,240,813	B1		7/2007	Goldman		
D552,361	S	*	10/2007	Goldman	D6/328
7,287,674	B1		10/2007	Sutton et al.		
D554,378	S	*	11/2007	Niederer	D6/328
7,303,101	B2	*	12/2007	Goldman	223/85
D583,575	S	*	12/2008	Goldman et al.	D6/328
7,513,400	B2		4/2009	Gouldson		
2006/0006204	A1		1/2006	Mainetti		
2006/0213938	A1		9/2006	Gouldson		
2007/0084889	A1		4/2007	Fleming		
2007/0145084	A1		6/2007	Goldman		
2007/0199963	A1		8/2007	Gouldson		
2009/0145937	A1		6/2009	Gouldson		

* cited by examiner

Primary Examiner—Shanda C Hill

(74) *Attorney, Agent, or Firm*—Scully, Scott, Murphy &
Presser, P.C.

(57) **CLAIM**

The ornamental design for a sizer, as shown and described.

DESCRIPTION

FIG. 1 is a perspective view of the sizer;
FIG. 2 is a front elevational view of the sizer;
FIG. 3 is a top view of the sizer;
FIG. 4 is a bottom view of the sizer;
FIG. 5 is a first end view of the sizer;
FIG. 6 is a second end view of the sizer; and,
FIG. 7 is a rear elevational view of the sizer.

The present design can be displayed on the lower neck region
of a wire hook hanger, in conjunction with providing infor-
mation about a garment displayed on the hanger.

1 Claim, 3 Drawing Sheets

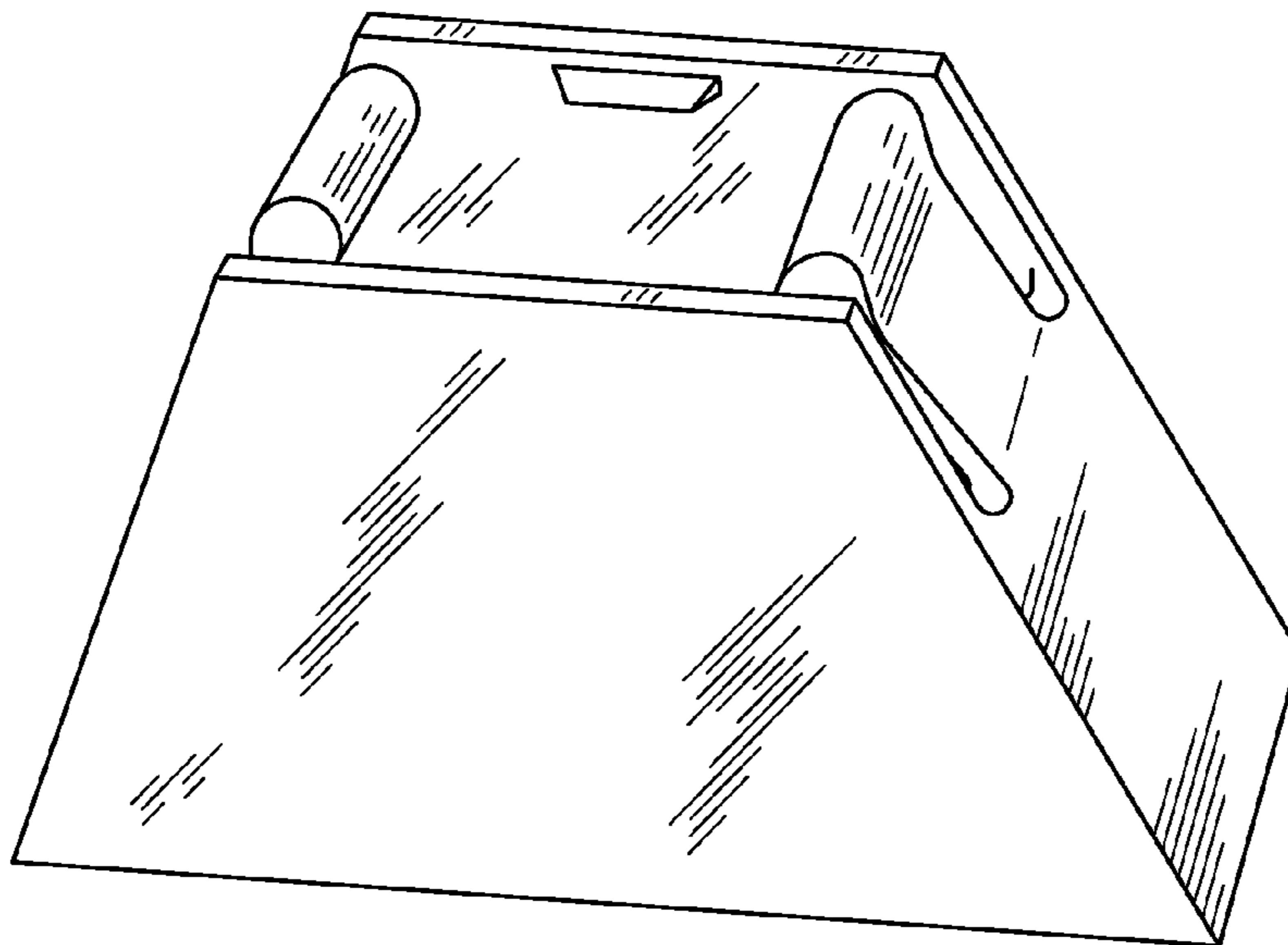


FIG. 1

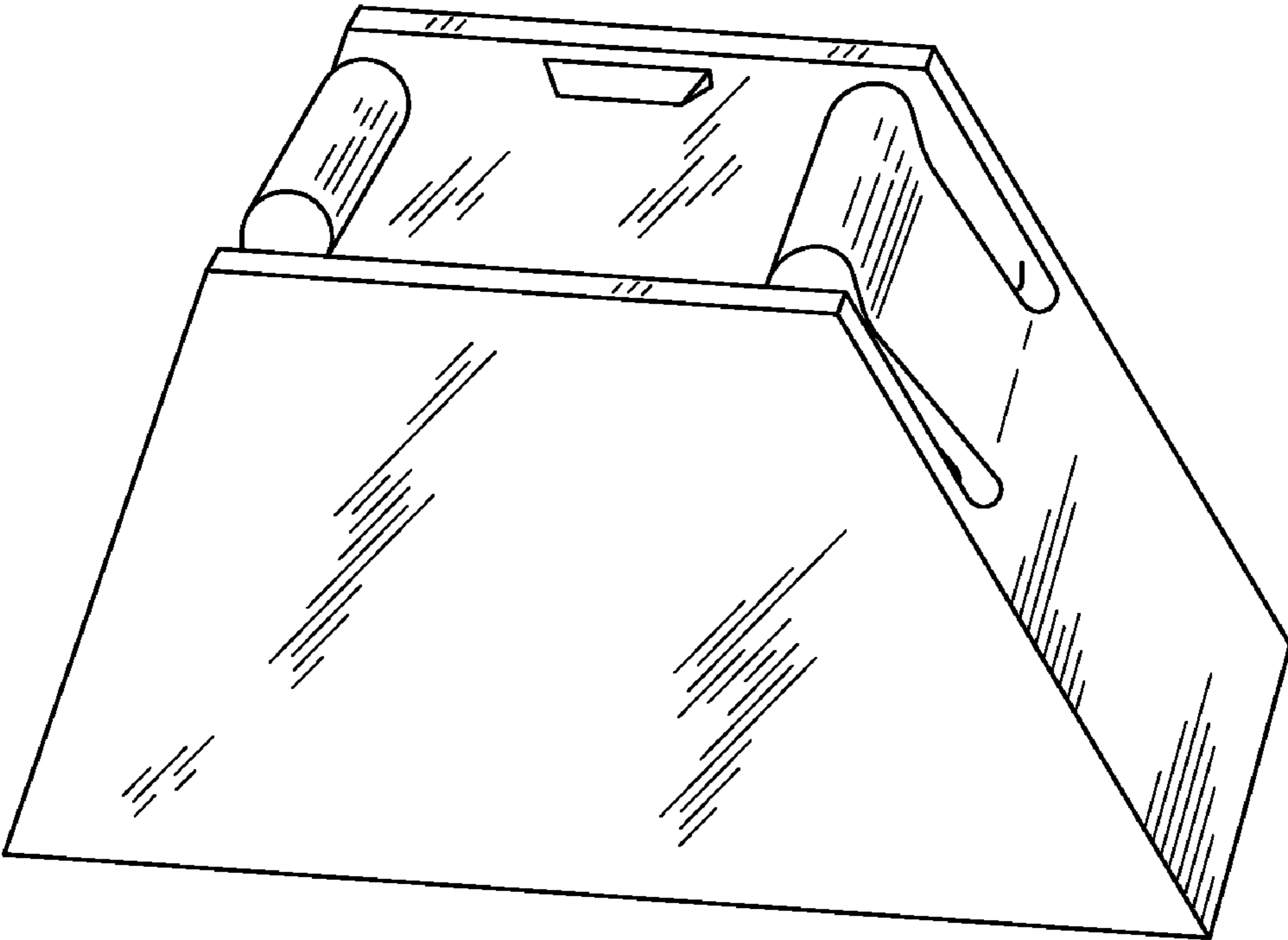


FIG. 2

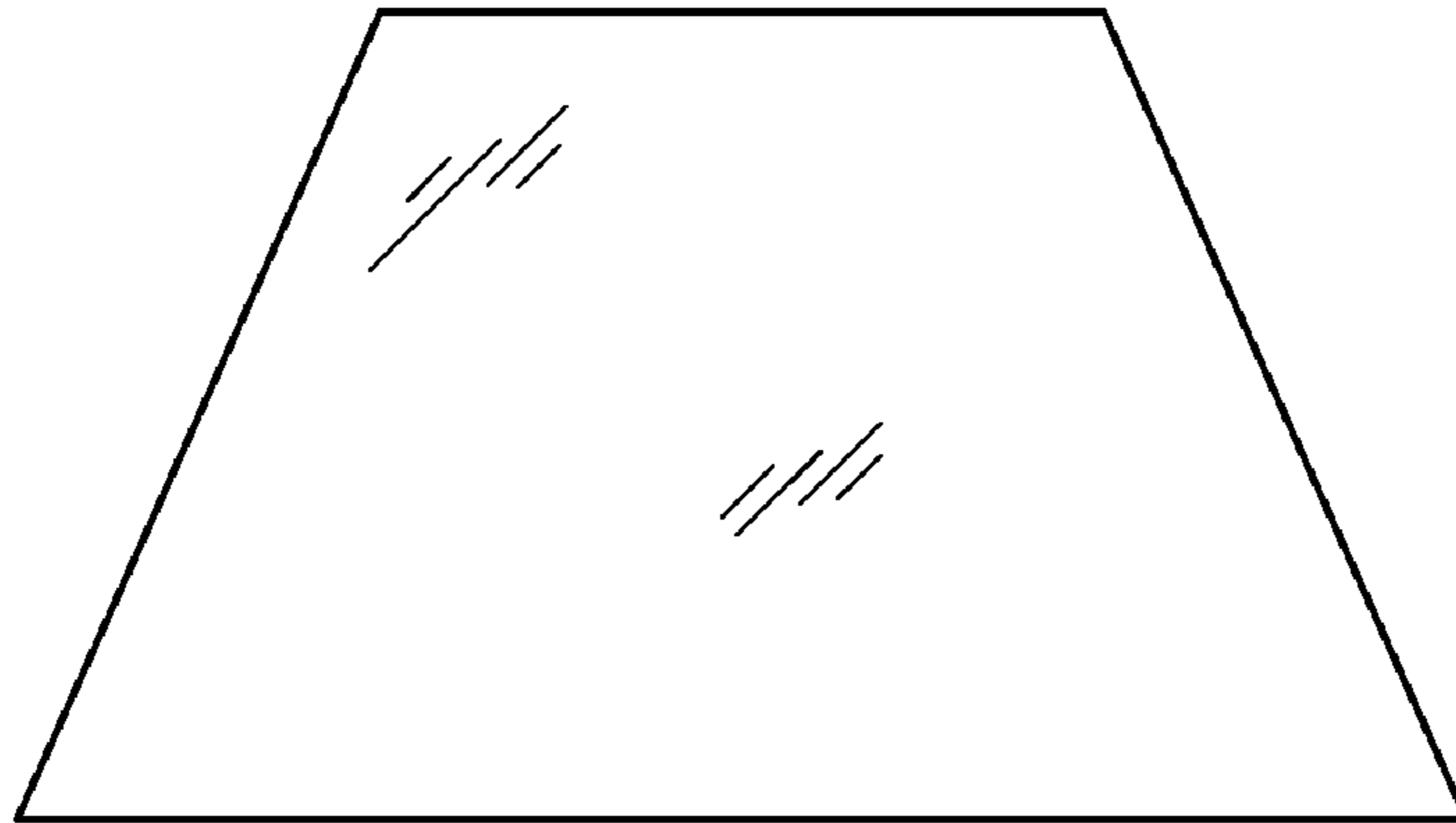


FIG. 3

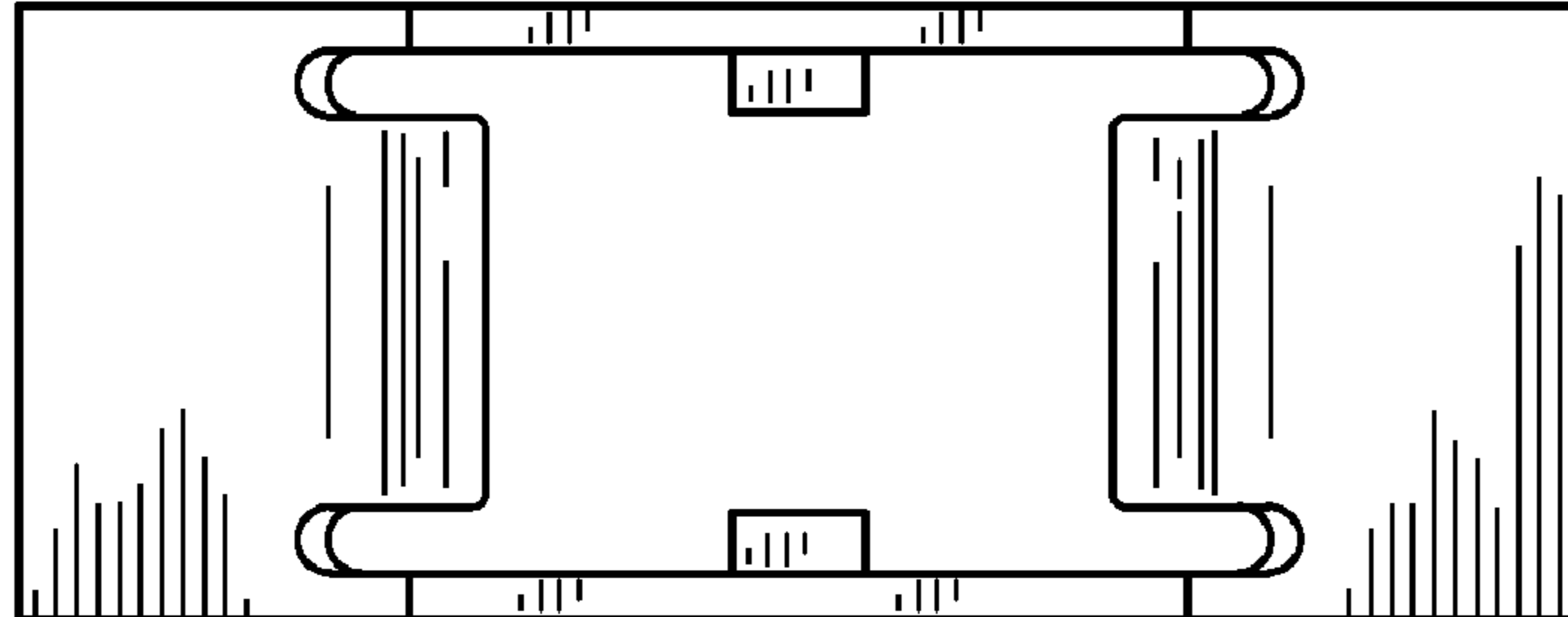


FIG. 4

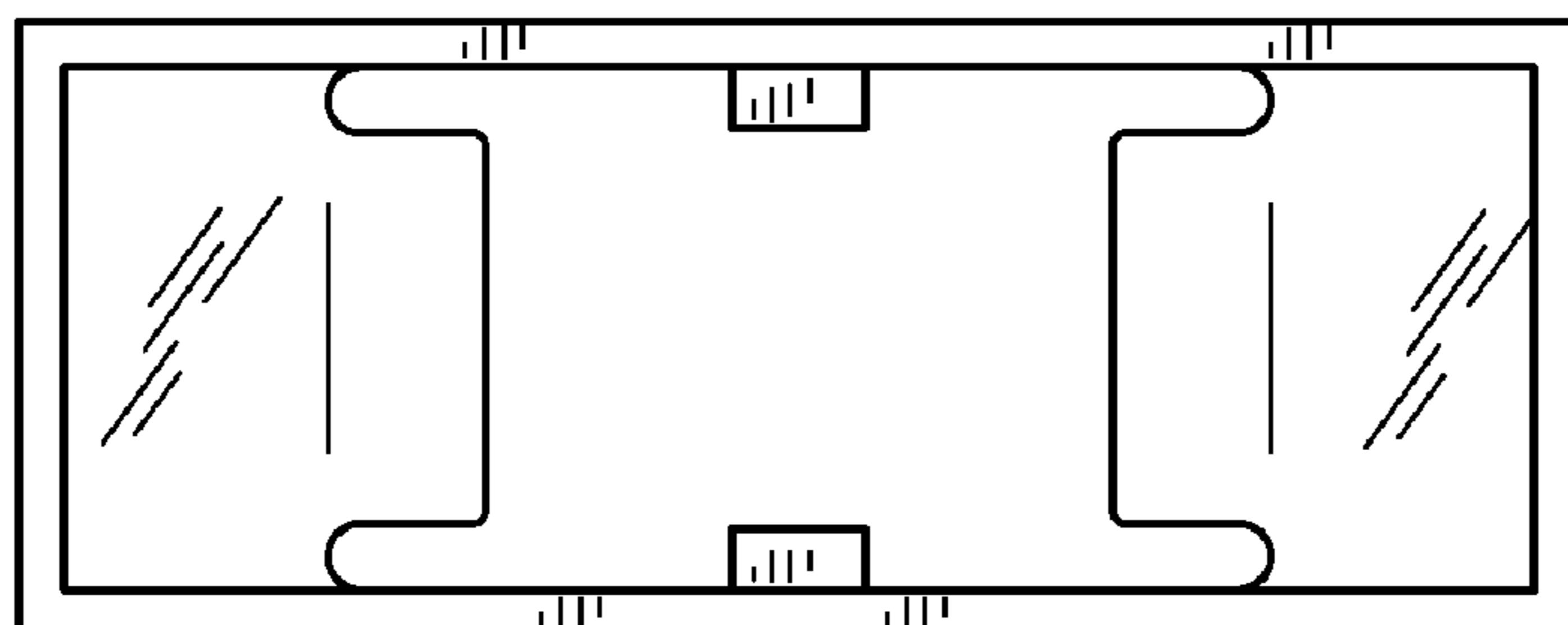


FIG. 5

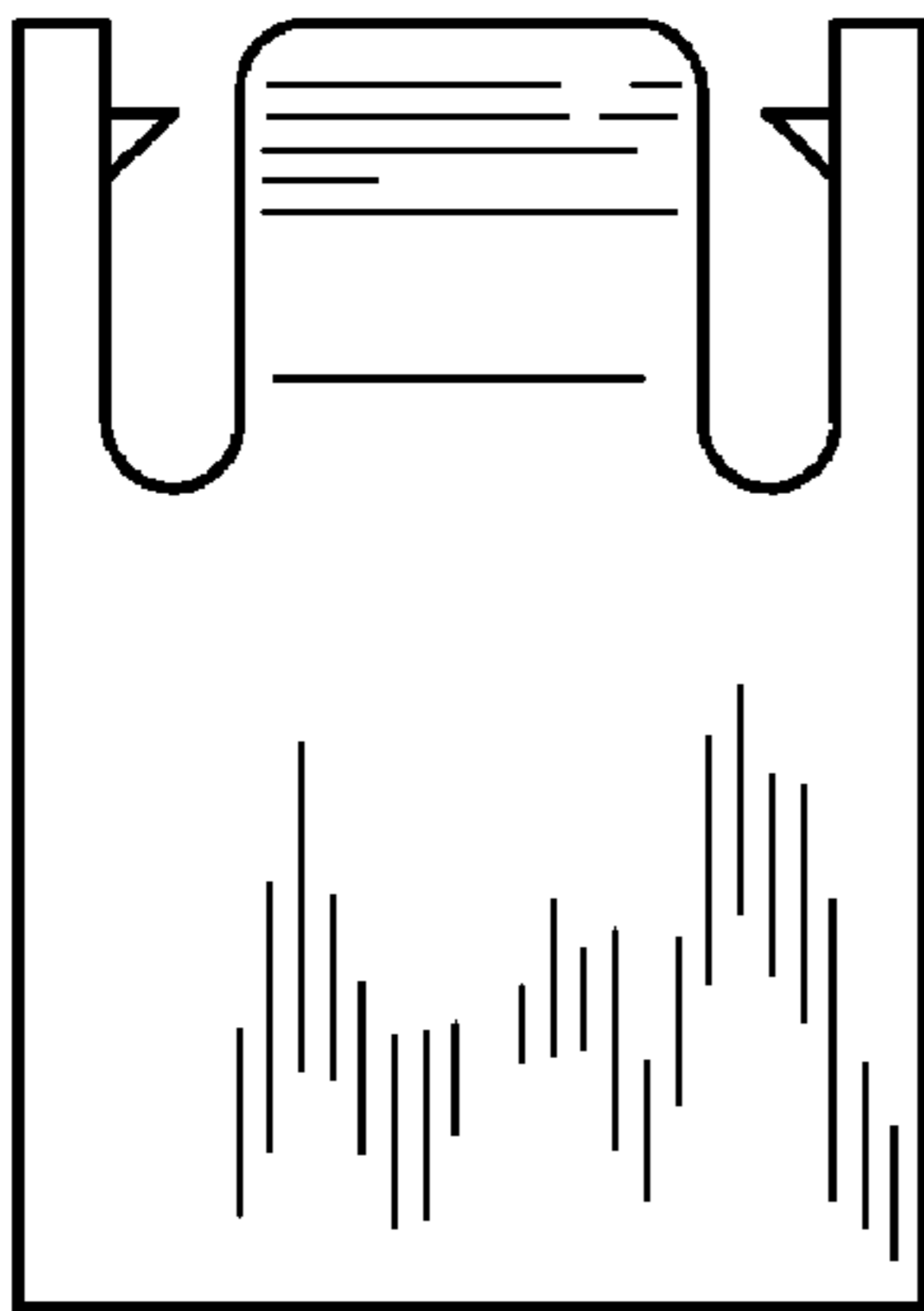


FIG. 6

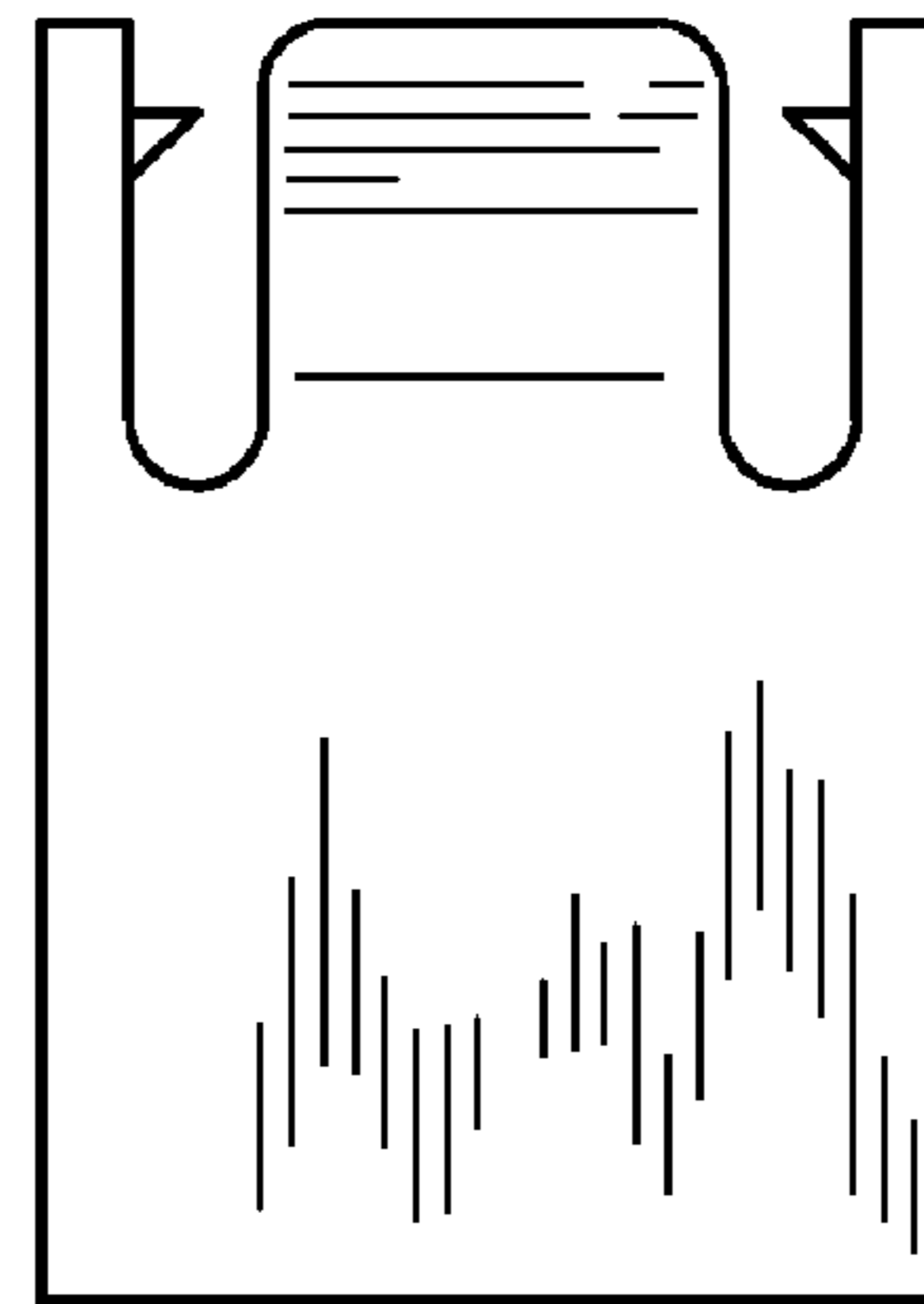


FIG. 7

