

US00D625108S

(12) **United States Design Patent**  
**Corzo**

(10) **Patent No.:** **US D625,108 S**  
(45) **Date of Patent:** **\*\* Oct. 12, 2010**

(54) **WHEEL DRYING BRUSH**

(76) Inventor: **Guillermo Alexander Corzo**, 2168  
Great Falls Way, Orlando, FL (US)  
32824

(\*\*) Term: **14 Years**

(21) Appl. No.: **29/354,741**

(22) Filed: **Jan. 28, 2010**

(51) **LOC (9) Cl.** ..... **04-01**

(52) **U.S. Cl.** ..... **D4/137; D32/40**

(58) **Field of Classification Search** ..... D4/137;  
D32/40, 50-52; 15/104.93, 208, 209.1, 210.1,  
15/244.1-244.4; D1/102; D8/90; D28/7,  
D28/8.1, 63; 426/76, 100, 101, 139; 601/138  
See application file for complete search history.

(56) **References Cited**

**U.S. PATENT DOCUMENTS**

D4,390	S	*	10/1870	Atwater	.....	D19/53
714,626	A	*	11/1902	Williams	.....	15/244.3
1,872,589	A	*	8/1932	Hoff	.....	15/244.1
D116,072	S	*	8/1939	Weil	.....	D32/51
2,333,801	A	*	11/1943	Lowston	.....	15/188
2,657,391	A	*	11/1953	Crandon	.....	2/161.8
2,673,364	A	*	3/1954	Diveley	.....	132/286
2,679,064	A	*	5/1954	Palma, Jr. et al.	.....	15/244.1
2,753,582	A	*	7/1956	Fredericks	.....	15/244.1
2,958,885	A	*	11/1960	Donney	.....	401/196

3,188,675	A	*	6/1965	Beck	.....	15/244.1
3,317,944	A	*	5/1967	Napier, Sr. et al.	.....	15/244.1
4,993,099	A	*	2/1991	Emura et al.	.....	15/118
5,371,914	A	*	12/1994	Mallory et al.	.....	15/121
D406,426	S	*	3/1999	Henrie	.....	D32/51
6,901,622	B2	*	6/2005	Thompson et al.	.....	15/104.002
D546,010	S	*	7/2007	Caruso et al.	.....	D32/40

\* cited by examiner

*Primary Examiner*—Robin V Webster  
*Assistant Examiner*—Lavone D Tabor

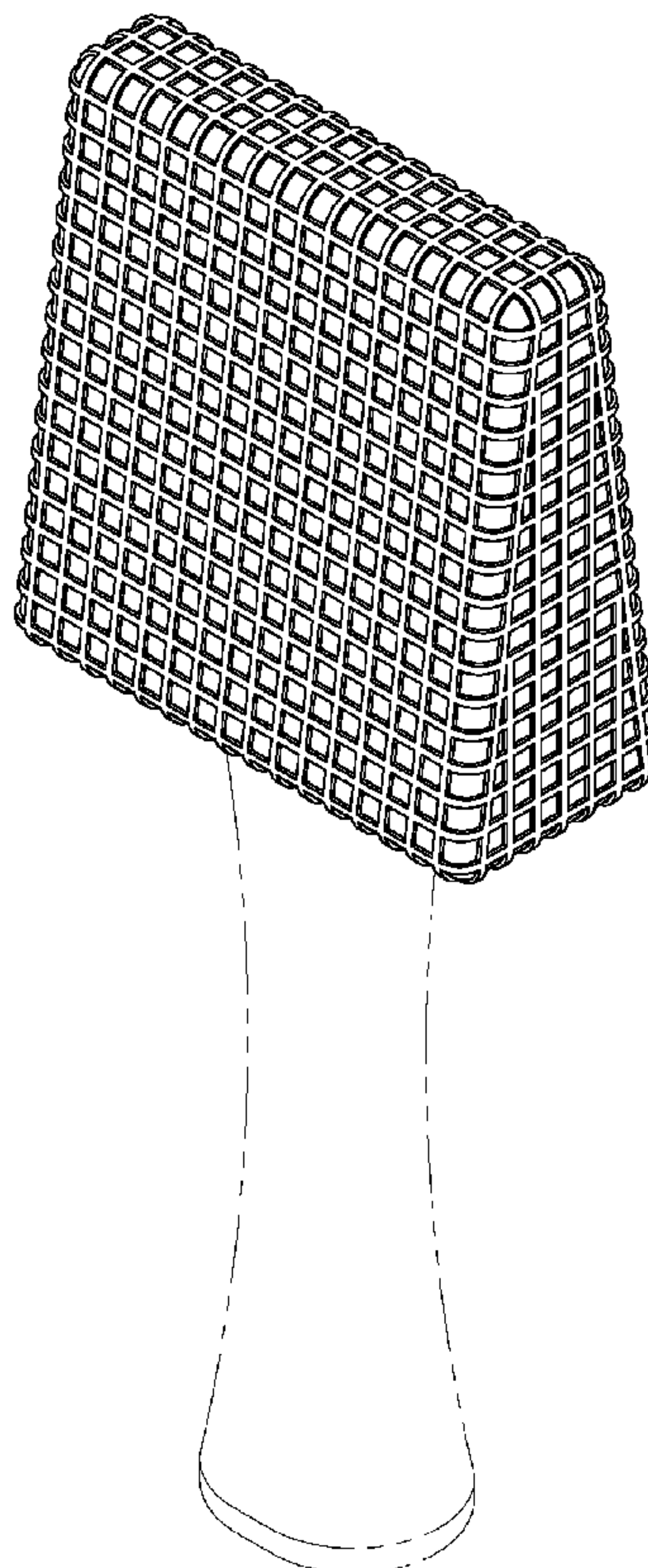
(57) **CLAIM**

The ornamental design for a wheel drying brush, as shown and described.

**DESCRIPTION**

FIG. 1 is a top plan view thereof;  
FIG. 2 is a bottom plan view thereof;  
FIG. 3 is a left side view thereof;  
FIG. 4 is a right side view thereof;  
FIG. 5 is a front elevational view thereof;  
FIG. 6 is a rear elevational view thereof; and,  
FIG. 7 is a perspective view of our new design for a wheel drying brush, the handle being illustrated in broken lines for environmental purposes only and forming no part of the claimed design.

**1 Claim, 4 Drawing Sheets**



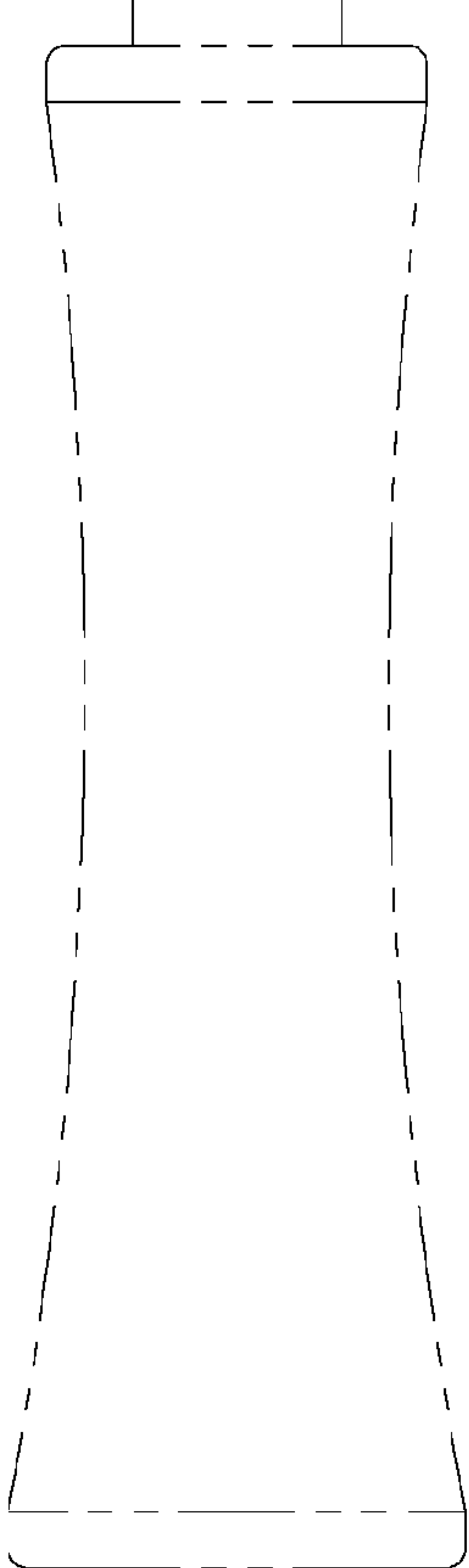
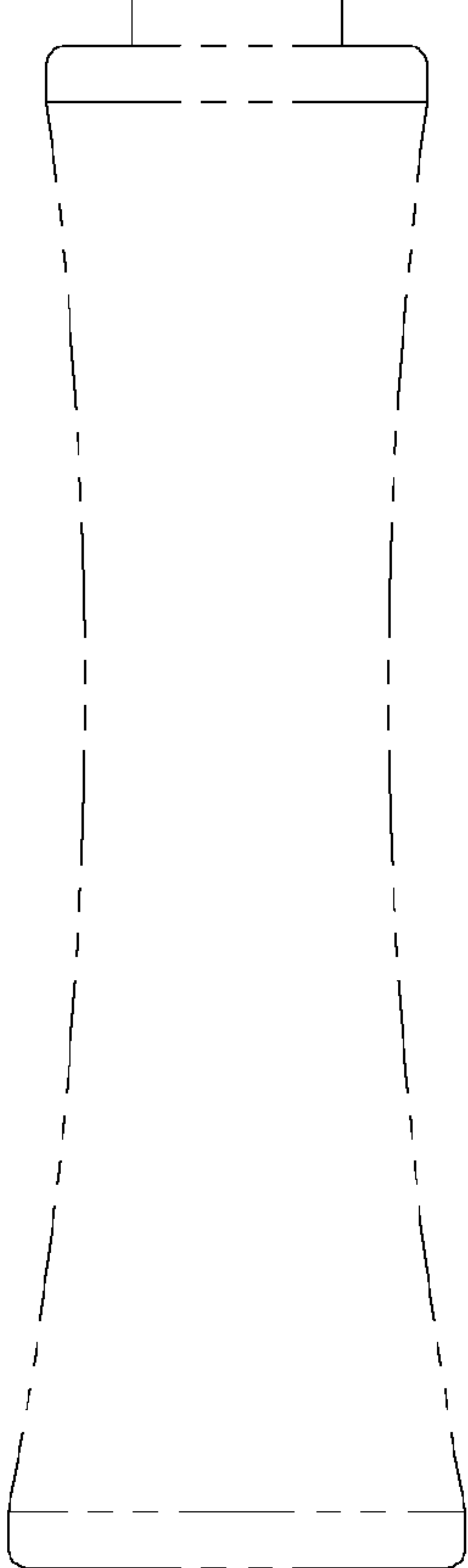
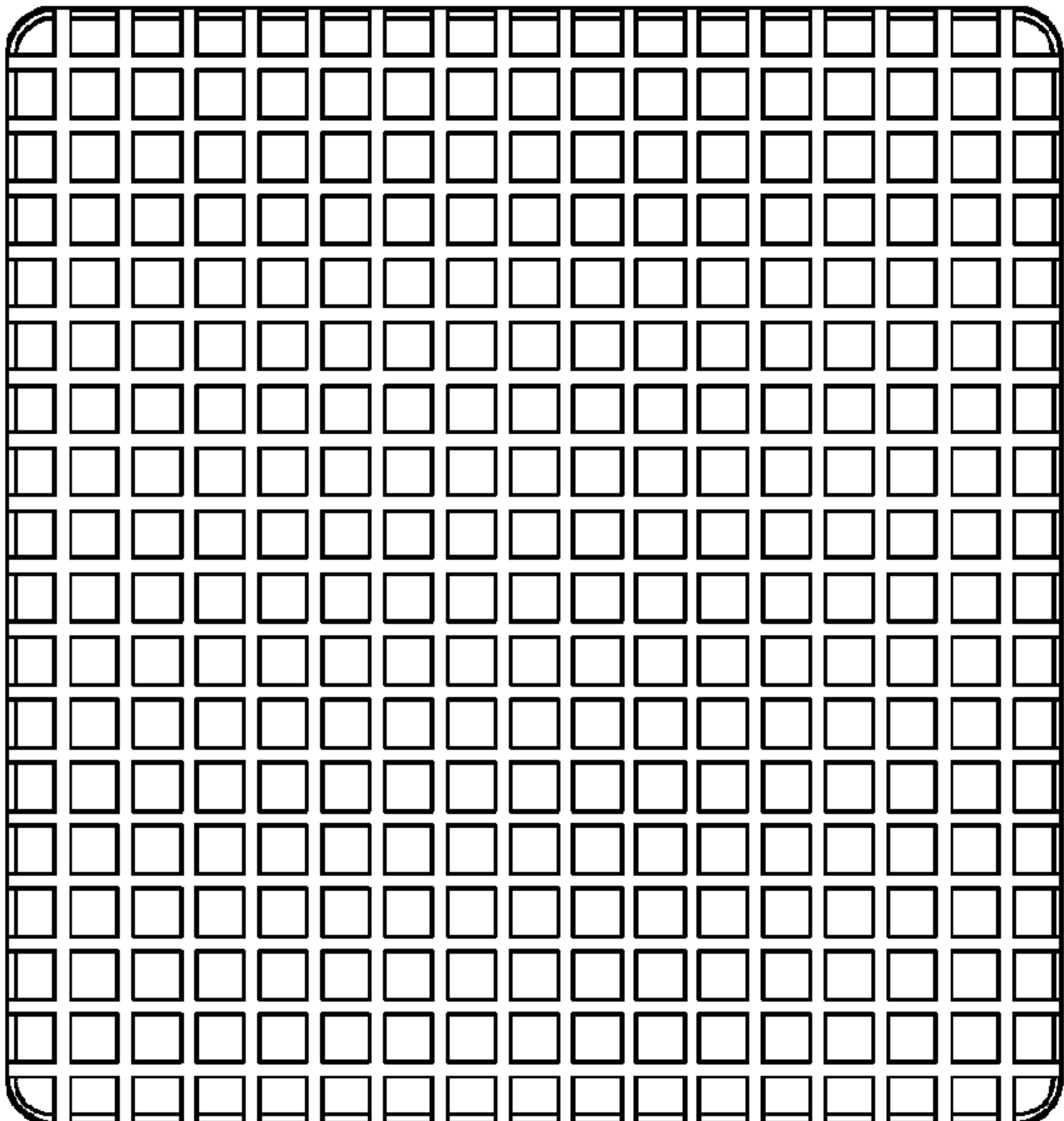
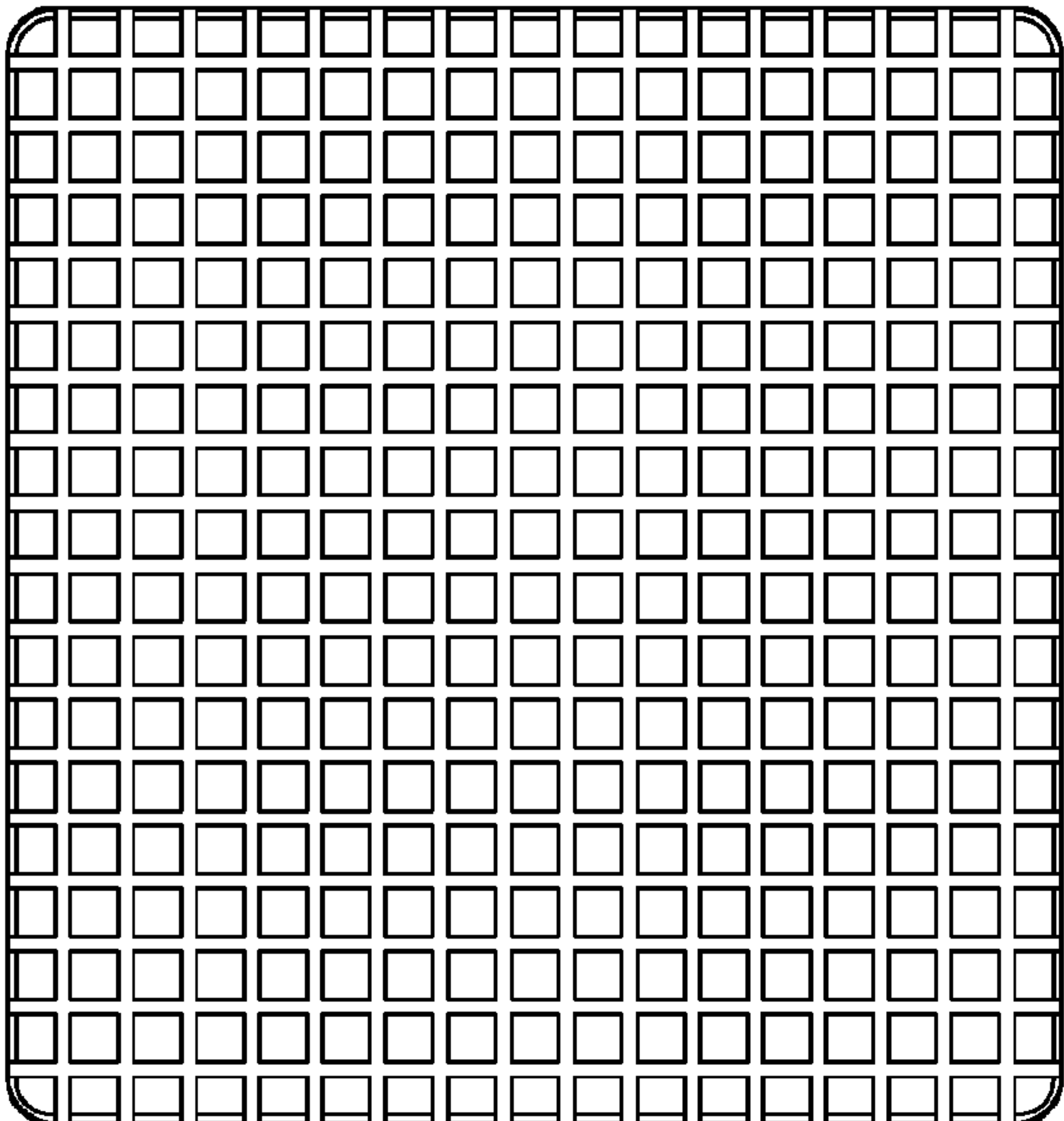
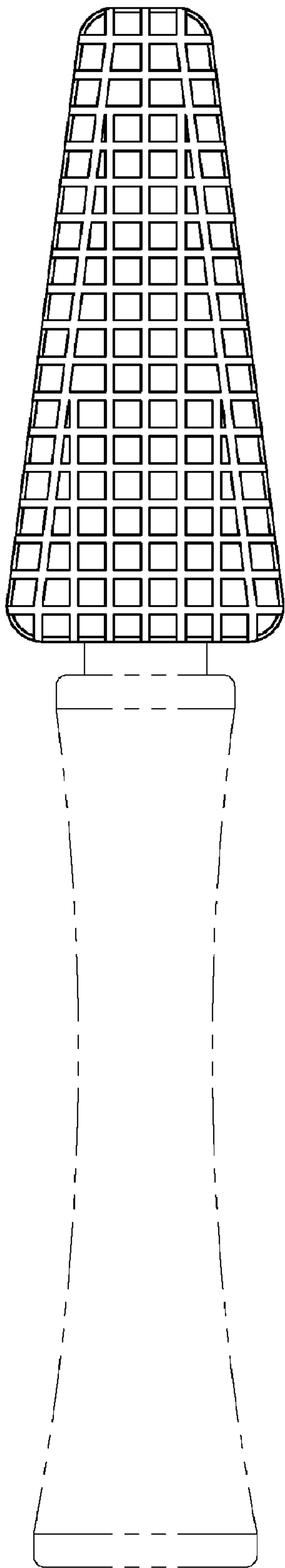
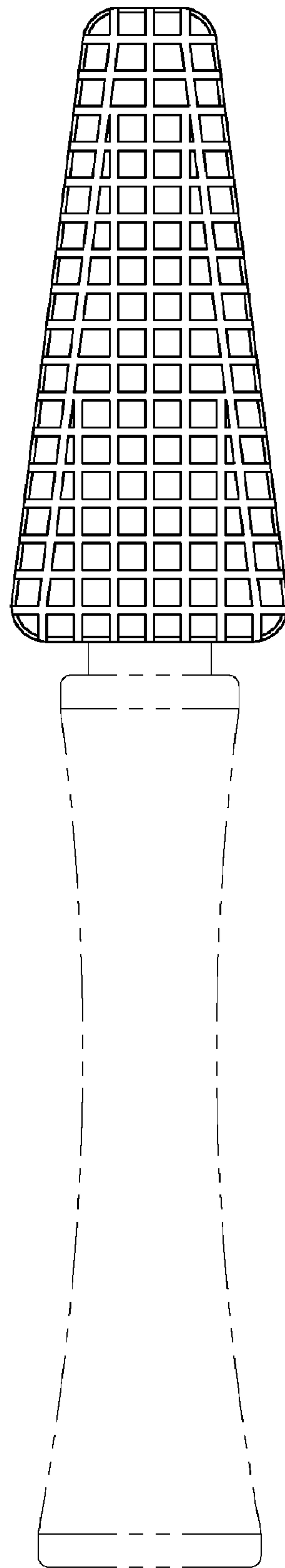


FIG. 1

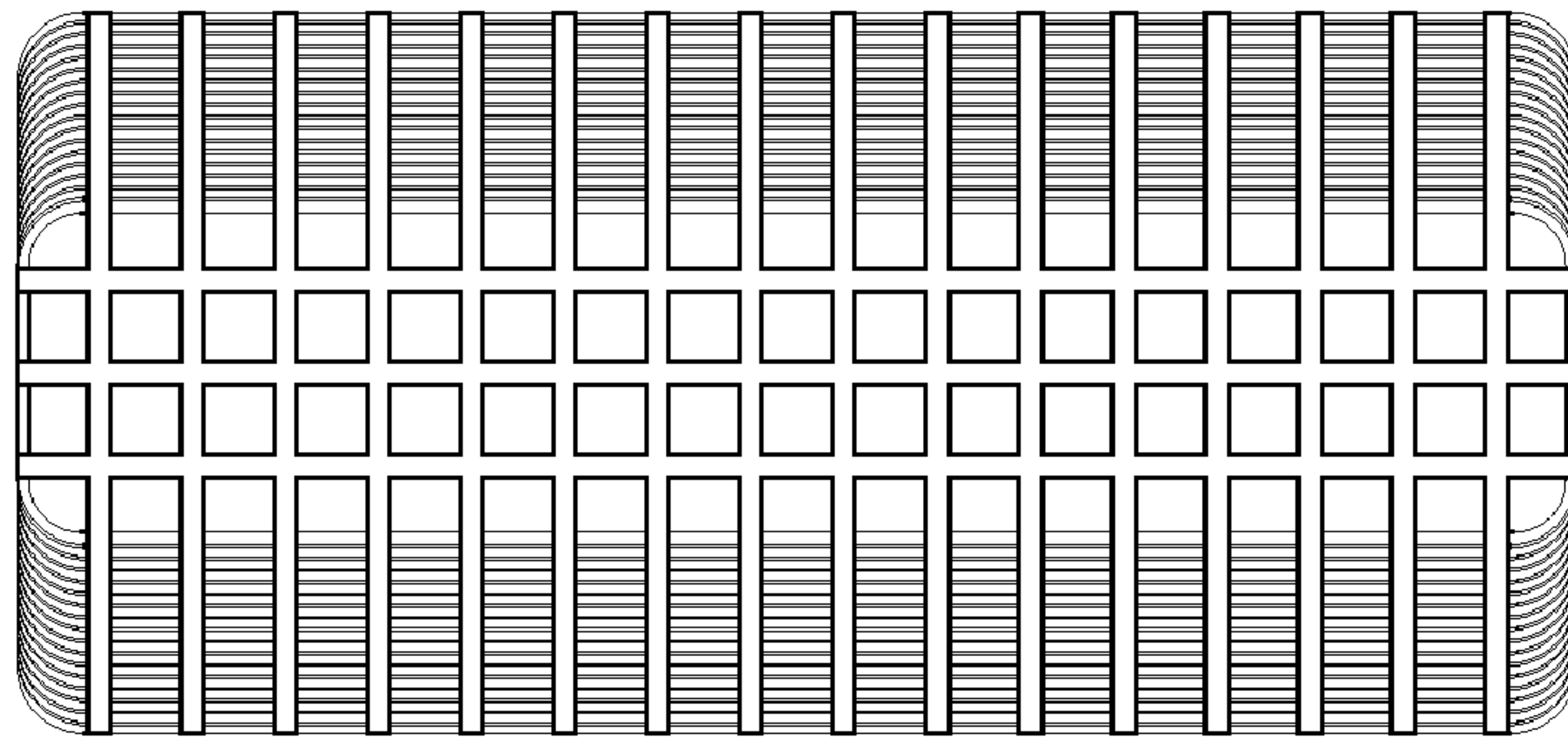
FIG. 2



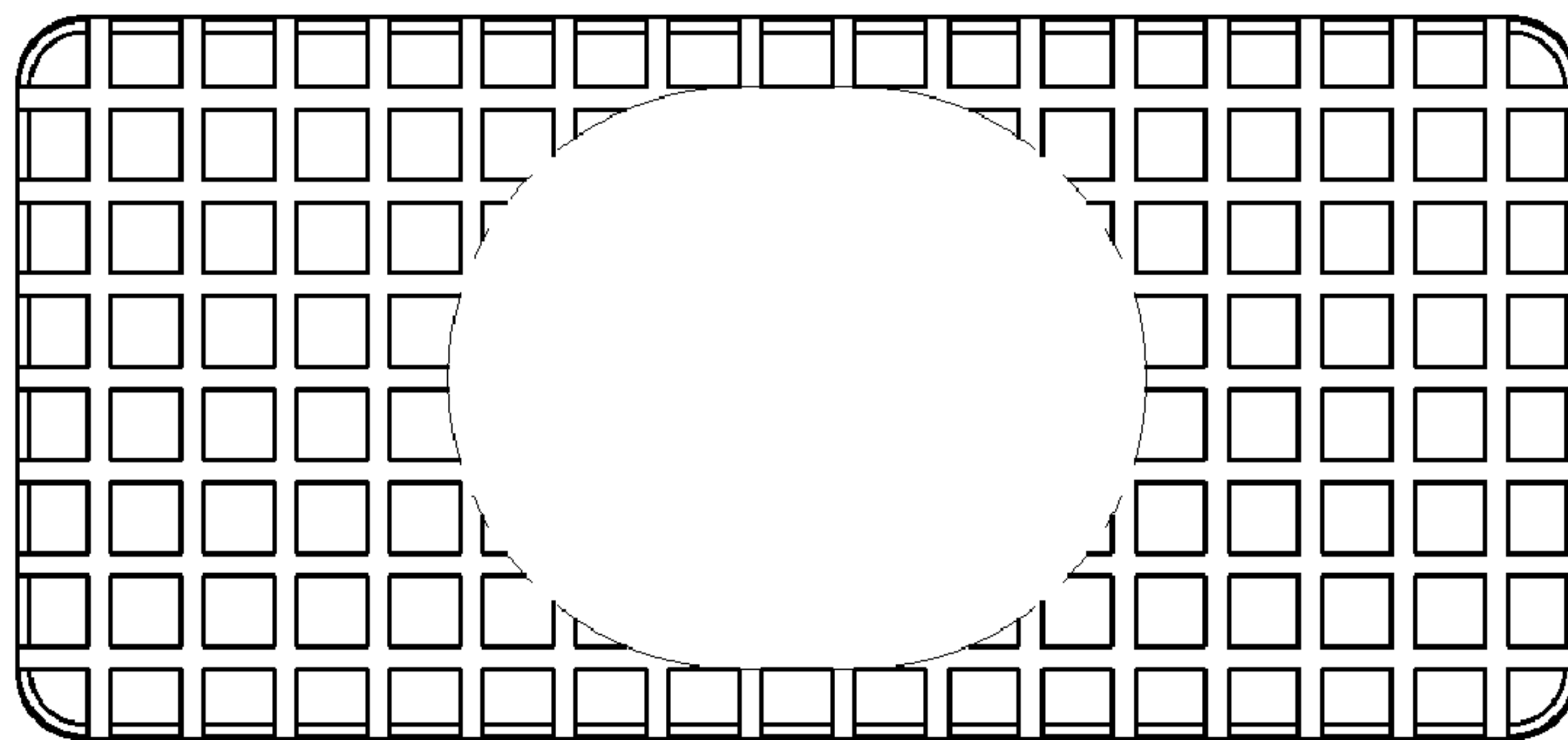
**FIG. 3**



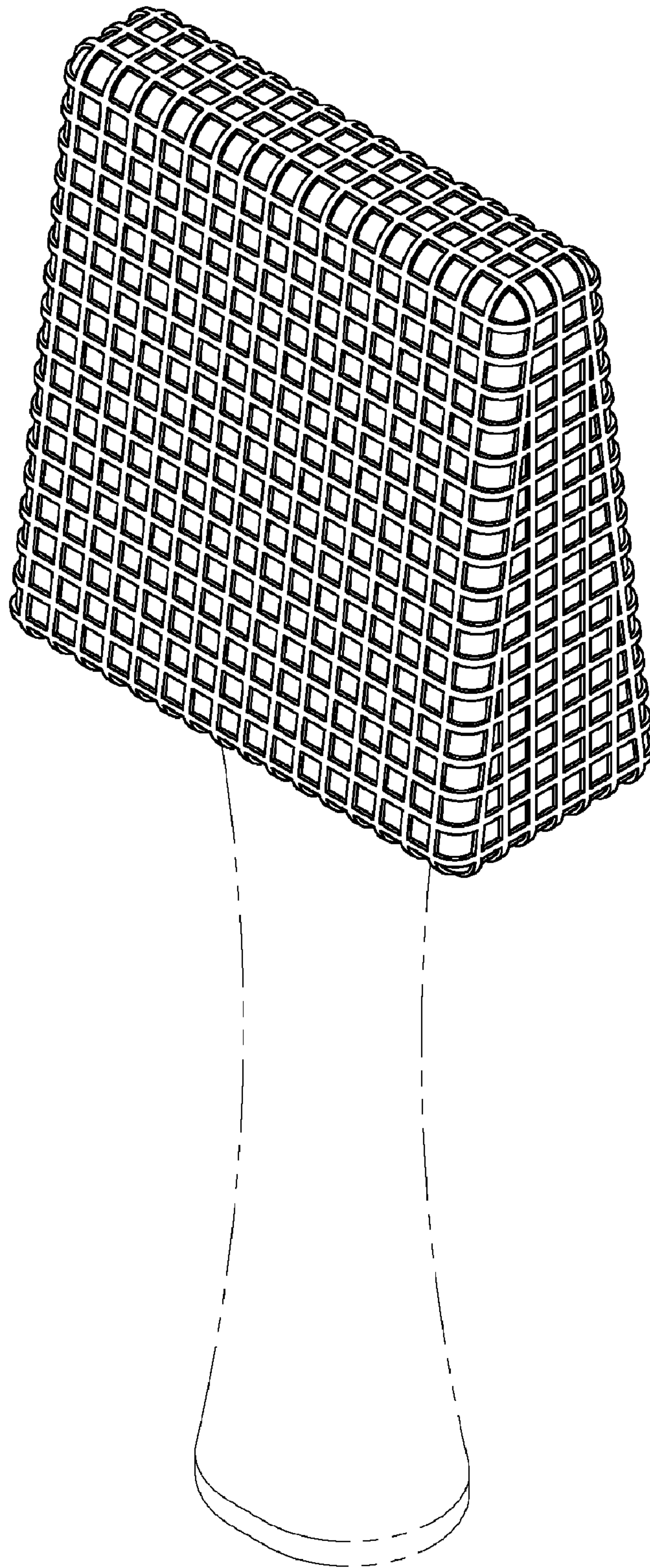
**FIG. 4**



**FIG. 5**



**FIG. 6**



**FIG. 7**