



US00D625099S

(12) **United States Design Patent**
Karcie

(10) **Patent No.:** **US D625,099 S**

(45) **Date of Patent:** **** Oct. 12, 2010**

(54) **COLLAPSIBLE CANOPY**

(57) **CLAIM**

(76) **Inventor:** **Donald L. Karcie**, 3938 W. Irwin Ave.,
Phoenix, AZ (US) 85041

What is claimed is the ornamental design for a collapsible canopy, as shown and described.

(**) **Term:** **14 Years**

DESCRIPTION

(21) **Appl. No.:** **29/350,197**

(22) **Filed:** **Nov. 12, 2009**

(51) **LOC (9) Cl.** **03-03**

(52) **U.S. Cl.** **D3/10**

(58) **Field of Classification Search** D3/5-6,
D3/10, 16-17; 135/90, 94, 98, 124-126,
135/16, 19.5, 20.1, 22-25, 25.1, 29, 33.2,
135/33.41; D12/401, 403; D6/333, 491,
D6/500, 502, 611

See application file for complete search history.

(56) **References Cited**

U.S. PATENT DOCUMENTS

2,771,125	A *	11/1956	Dobbins	297/184.15
3,544,164	A *	12/1970	Seizo	297/452.2
4,314,727	A	2/1982	Potts		
4,583,779	A	4/1986	Myers		
D297,685	S *	9/1988	Wilson	D6/348
4,781,411	A *	11/1988	Kolb	297/184.15
4,784,433	A	11/1988	Purnell-Ayres		
D301,218	S *	5/1989	Brummer	D12/119
4,858,990	A	8/1989	Combs-Rose		
4,874,182	A *	10/1989	Clark	280/30
4,883,315	A	11/1989	Ferguson		
4,911,498	A	3/1990	Becher		
4,978,166	A *	12/1990	James	297/184.17
5,000,210	A *	3/1991	Worthington, Jr.	135/90
5,007,674	A	4/1991	Franc		
5,067,770	A	11/1991	Hassell, Jr.		

(Continued)

Primary Examiner—Elizabeth A Albert

Assistant Examiner—Kelley A Donnelly

(74) *Attorney, Agent, or Firm*—QuickPatents, Inc.; Kevin Prince

FIG. 1 is a perspective view of a collapsible canopy, illustrated in an extended position, showing the new design;

FIG. 2 is a front elevational view thereof, illustrated in the extended position;

FIG. 3 is a rear elevational view thereof, illustrated in the extended position;

FIG. 4 is a left-side elevational view thereof, illustrated in the extended position, the right-side elevational view being a mirror image thereof;

FIG. 5 is a top plan view thereof, illustrated in the extended position;

FIG. 6 is a bottom plan view thereof, illustrated in the extended position;

FIG. 7 is a perspective view of a collapsible canopy, illustrated in a collapsed position, showing the new design;

FIG. 8 is a front elevational view thereof, illustrated in the collapsed position;

FIG. 9 is a rear elevational view thereof, illustrated in the collapsed position;

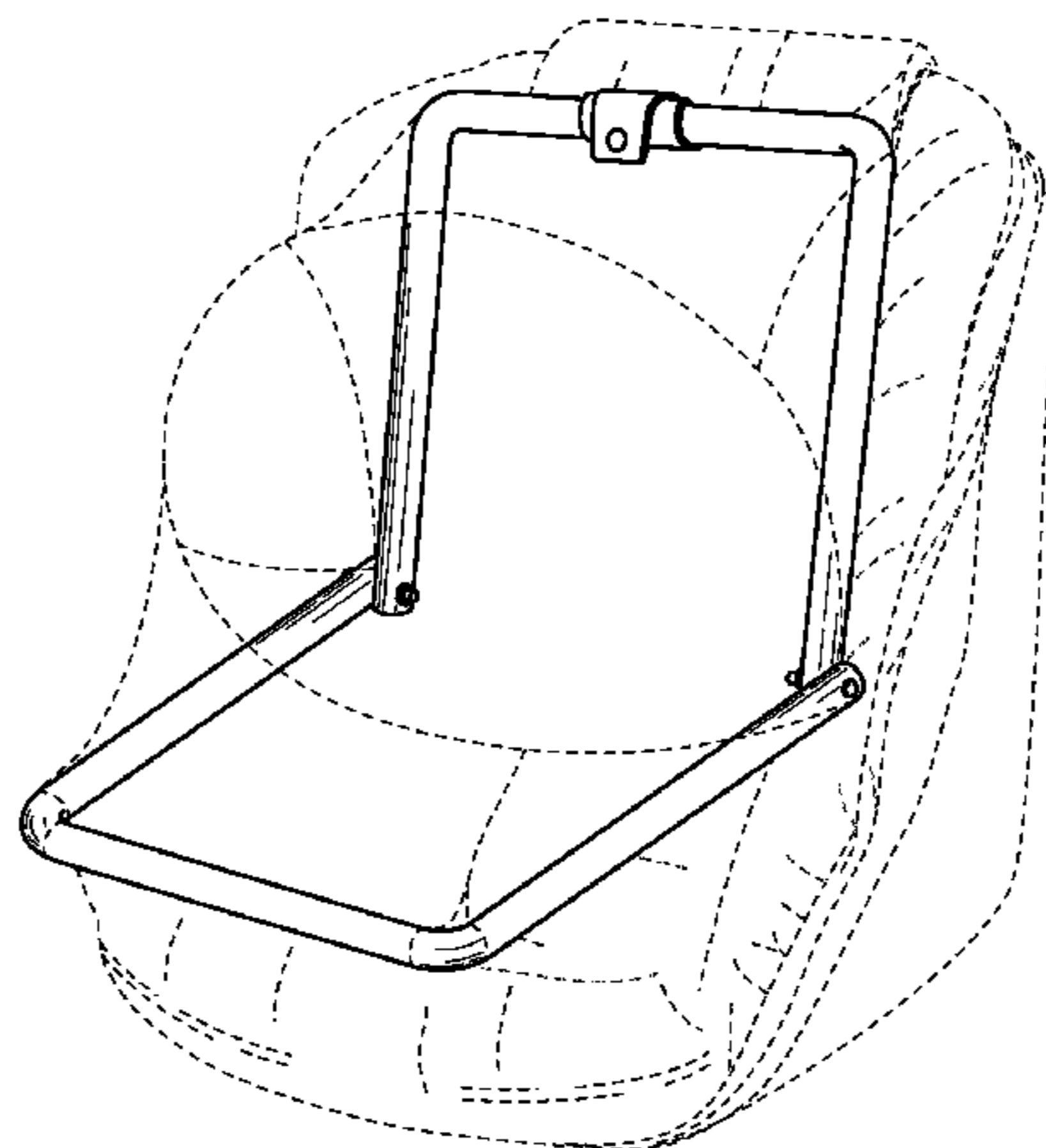
FIG. 10 is a left-side elevational view thereof, illustrated in the collapsed position, the right-side elevational view being a mirror image thereof;

FIG. 11 is a top plan view thereof, illustrated in the collapsed position; and,

FIG. 12 is a bottom plan view thereof, illustrated in the collapsed position.

The broken lines showing a car seat in FIGS. 1 and 7, and the broken lines showing a flexible canopy fabric in FIGS. 1 and 4, are each included for the purpose of illustrating the invention in use, and form no part of the claimed design.

1 Claim, 5 Drawing Sheets



US D625,099 S

Page 2

U.S. PATENT DOCUMENTS

5,094,506	A	3/1992	Costa				
5,363,871	A	11/1994	Garrand				
5,522,639	A	6/1996	Jaime				
5,568,961	A *	10/1996	Colasanti	297/362.12		
5,579,797	A *	12/1996	Rogers	135/90		
5,645,316	A *	7/1997	Aufrere et al.	297/216.13		
5,730,490	A	3/1998	Mortenson				
6,036,261	A	3/2000	Woods				
D429,923	S *	8/2000	Meglino et al.	D6/491		
6,554,356	B1 *	4/2003	Crose	297/216.13		
D482,543	S *	11/2003	Haney et al.	D6/379		
6,767,055	B1 *	7/2004	Sparks	297/216.14		
6,908,148	B2	6/2005	Wang				
7,083,228	B1	8/2006	Al Sawan				
7,168,759	B2	1/2007	Gallegos Geier				
D546,108	S	7/2007	Heiman-Philpott				
D601,830	S *	10/2009	Egger	D6/502		
7,726,738	B1 *	6/2010	Rice	297/256.12		
2003/0205921	A1 *	11/2003	McConnell et al.	297/256.16		
2004/0051351	A1 *	3/2004	Gallegos Geier	297/184.13		
2004/0189067	A1 *	9/2004	McConnell et al.	297/219.1		
2007/0257458	A1 *	11/2007	Dotsey et al.	280/47.38		
2007/0257526	A1 *	11/2007	Hei et al.	297/184.13		
2008/0054693	A1 *	3/2008	Lhomme et al.	297/250.1		
2009/0304306	A1 *	12/2009	Will et al.	383/6		

* cited by examiner

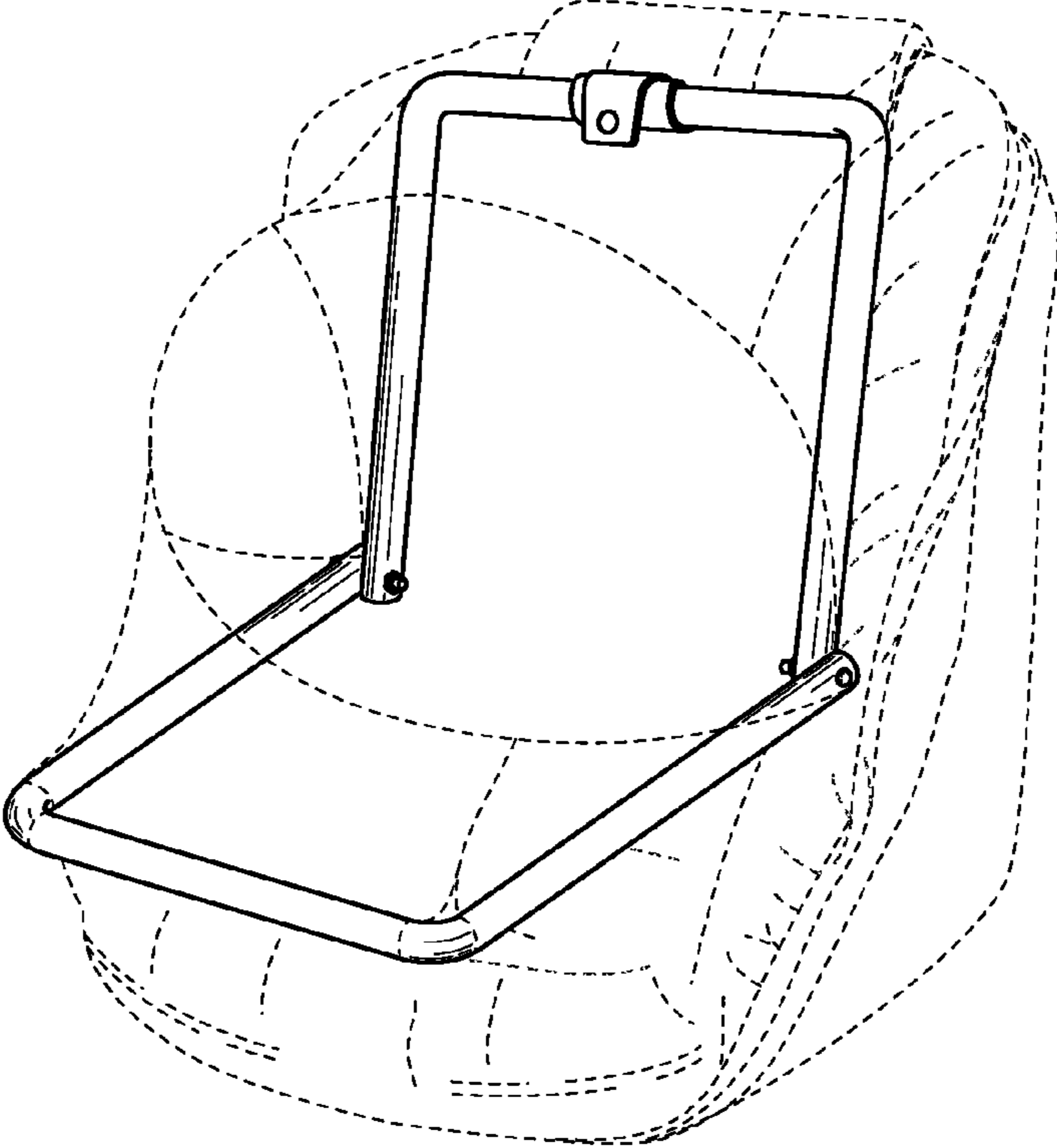


FIG. 1

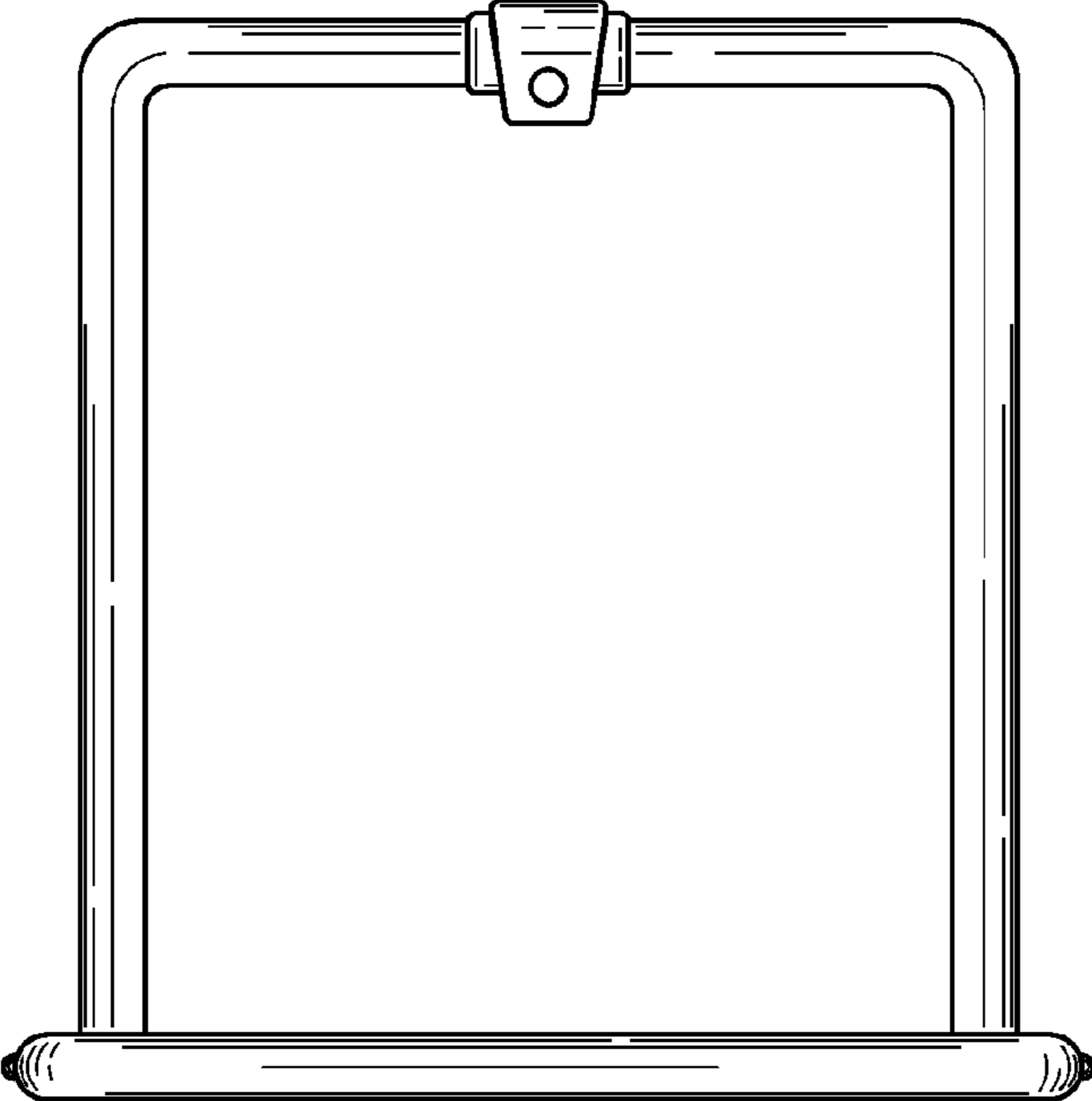


FIG. 2

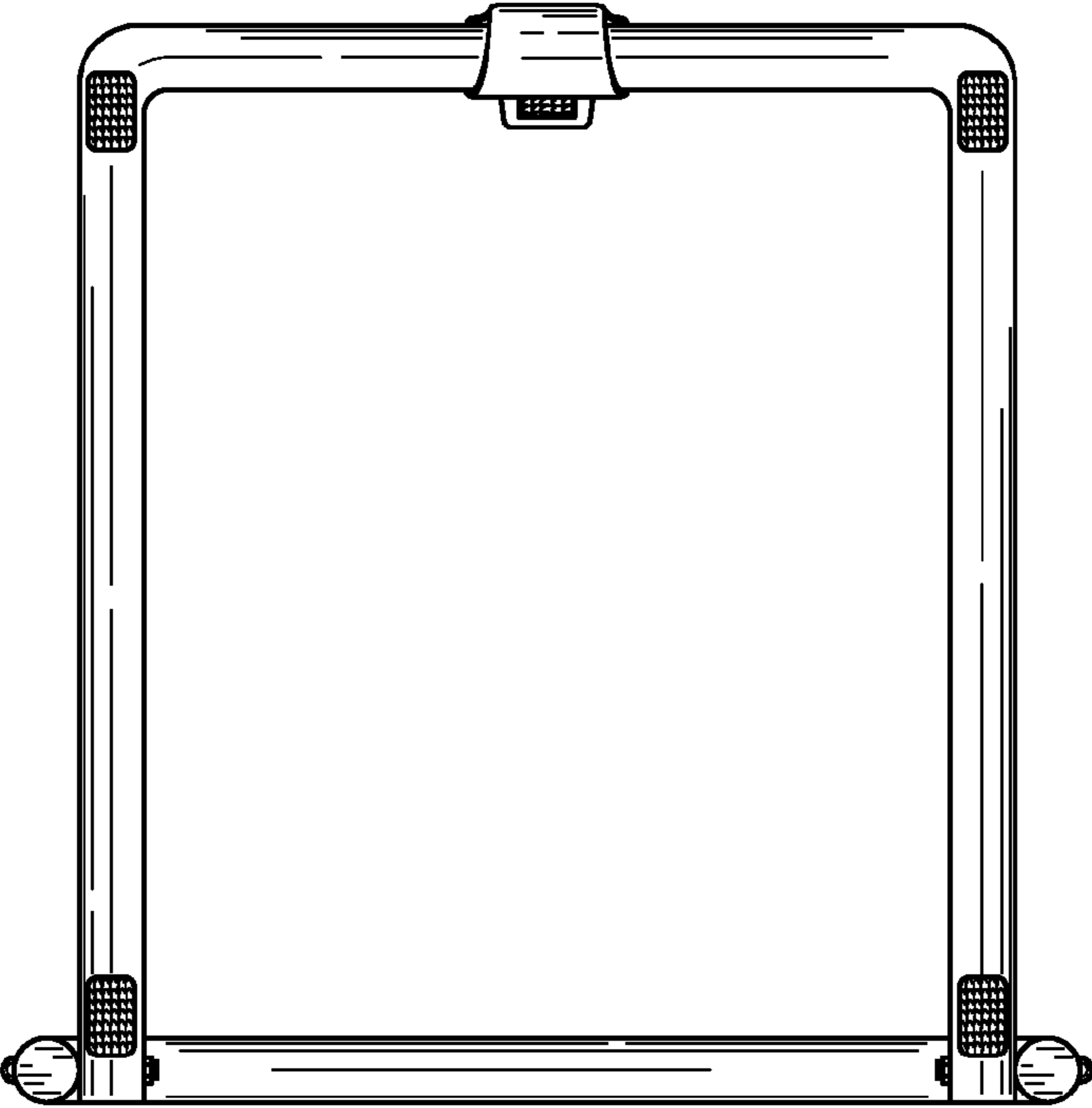


FIG. 3

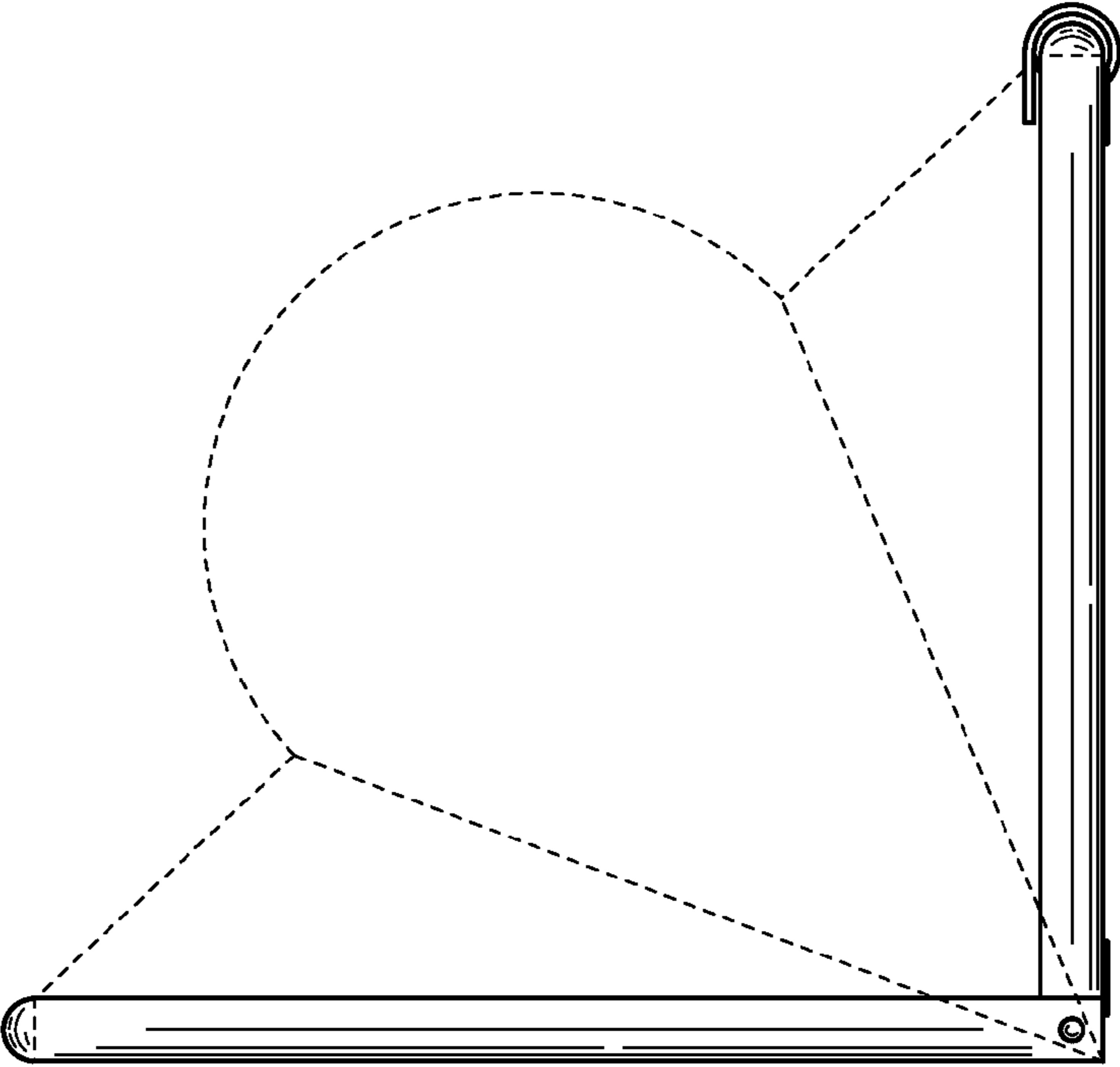


FIG. 4

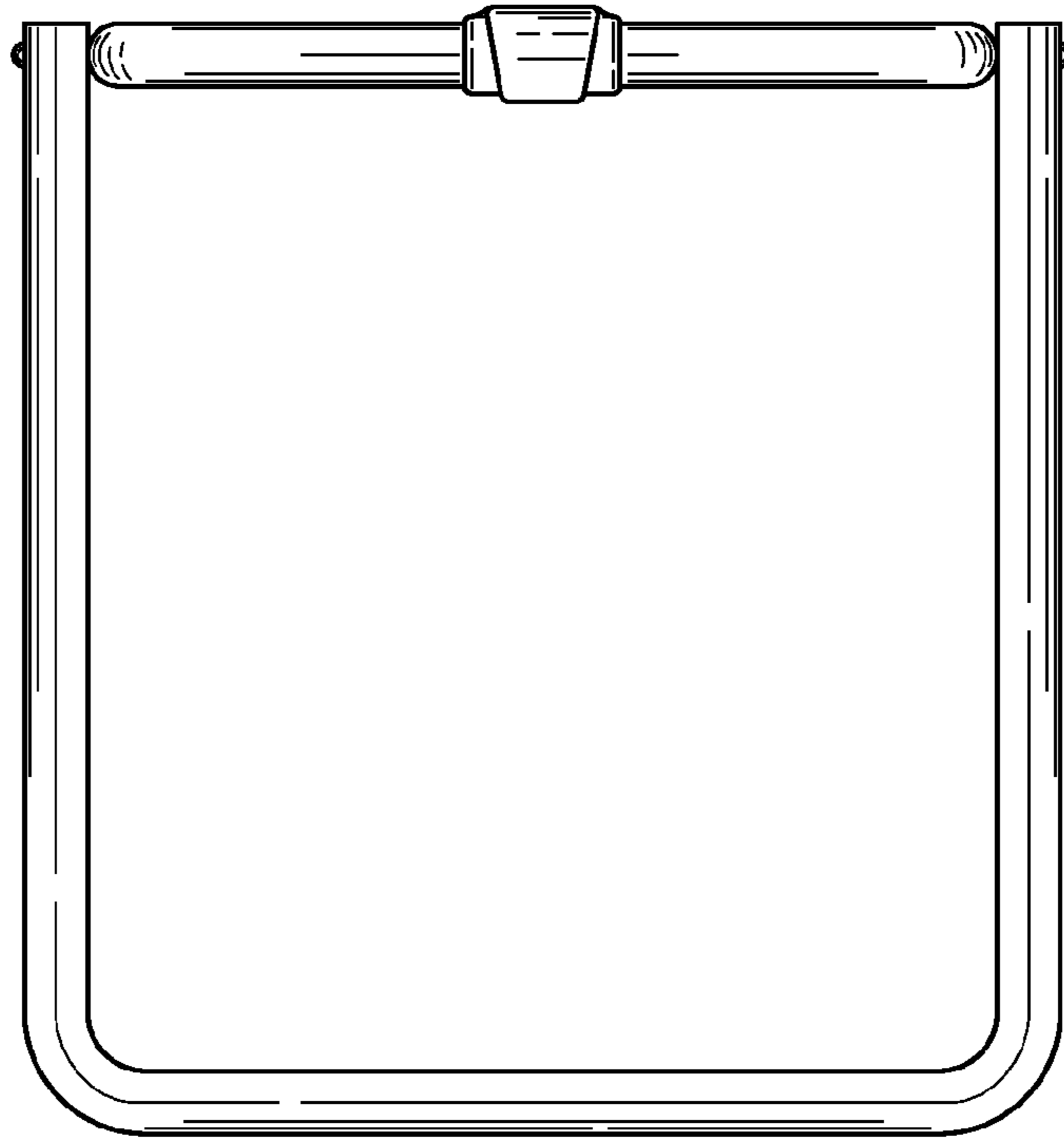


FIG. 5

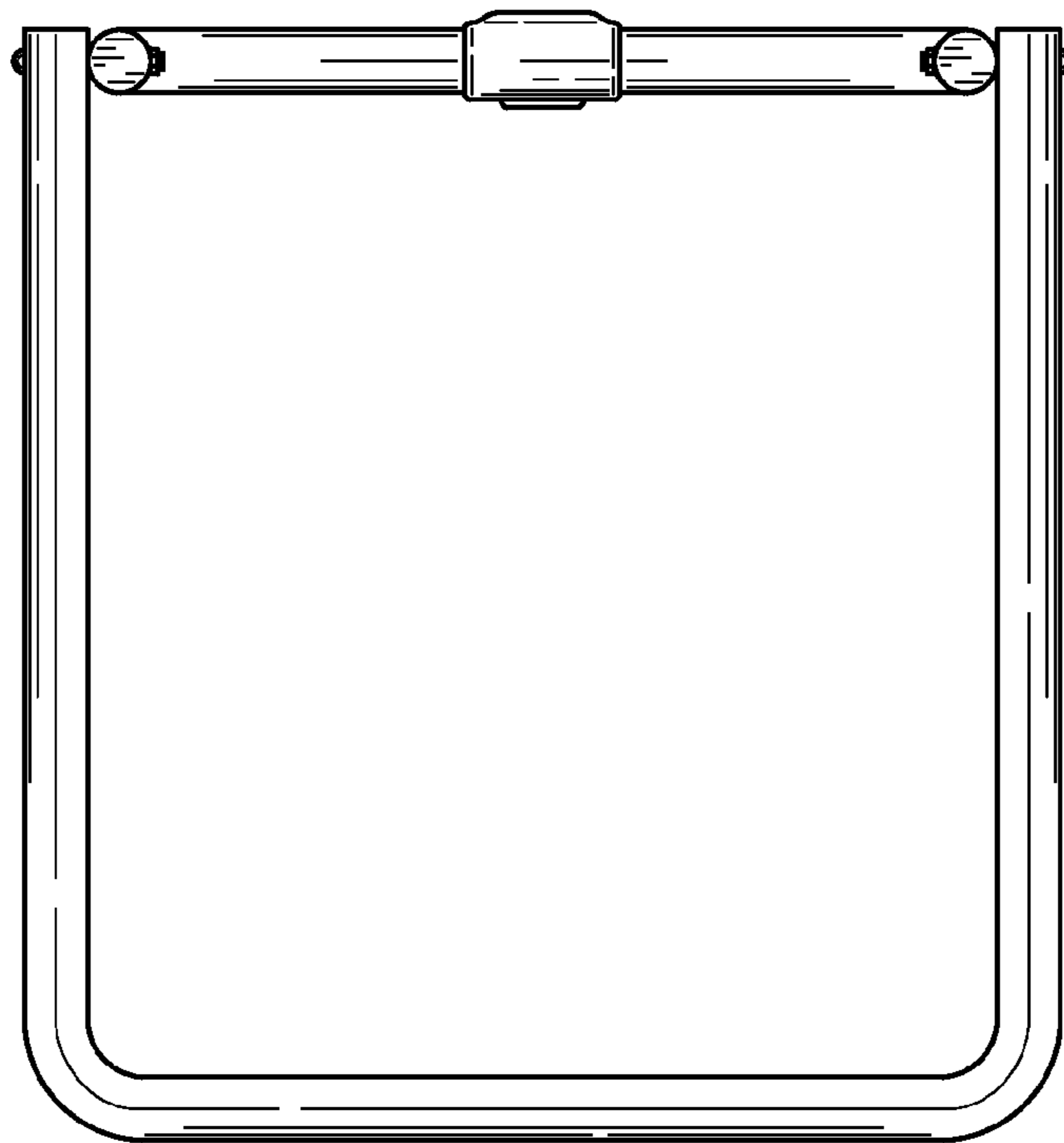


FIG. 6

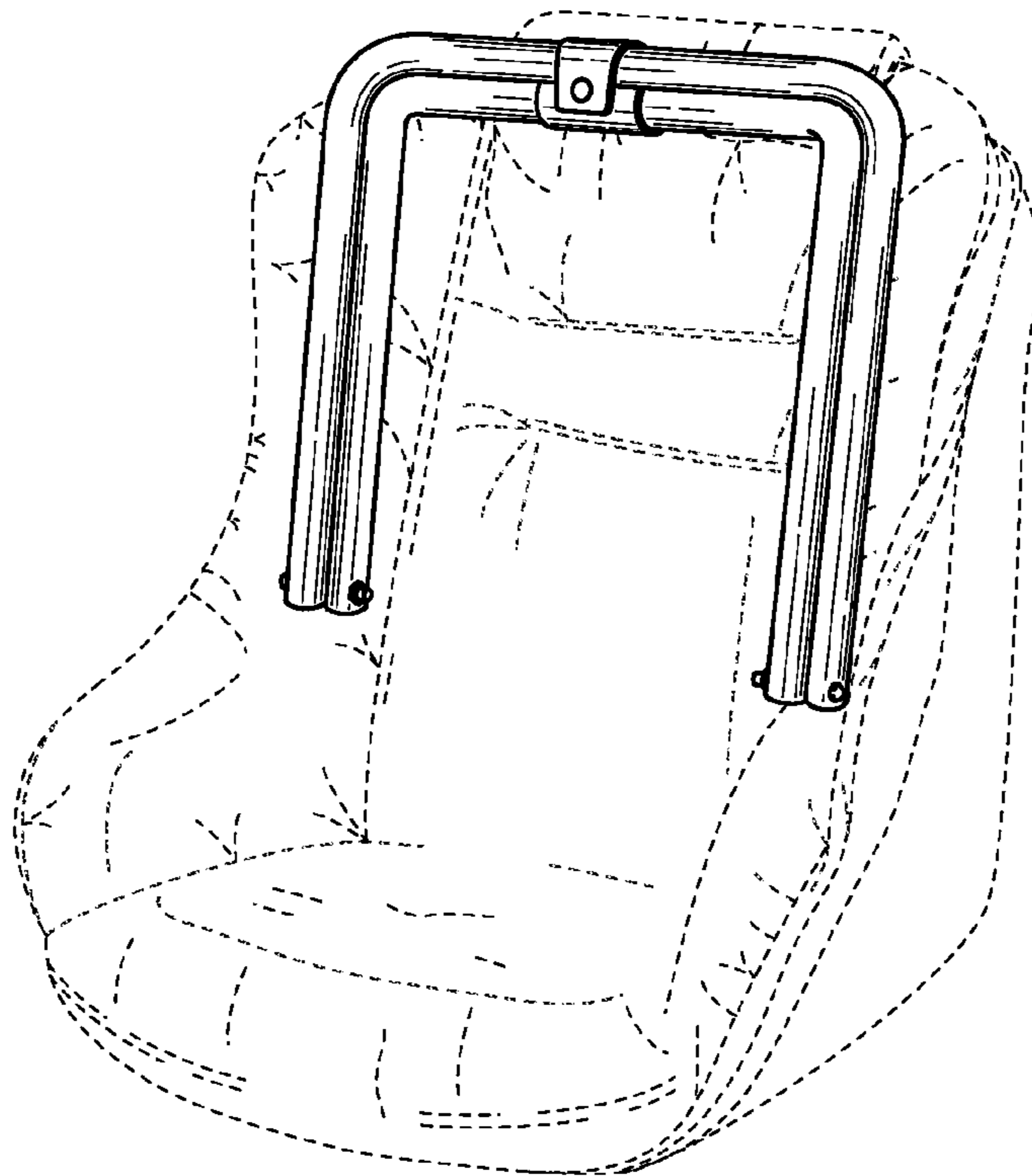


FIG. 7

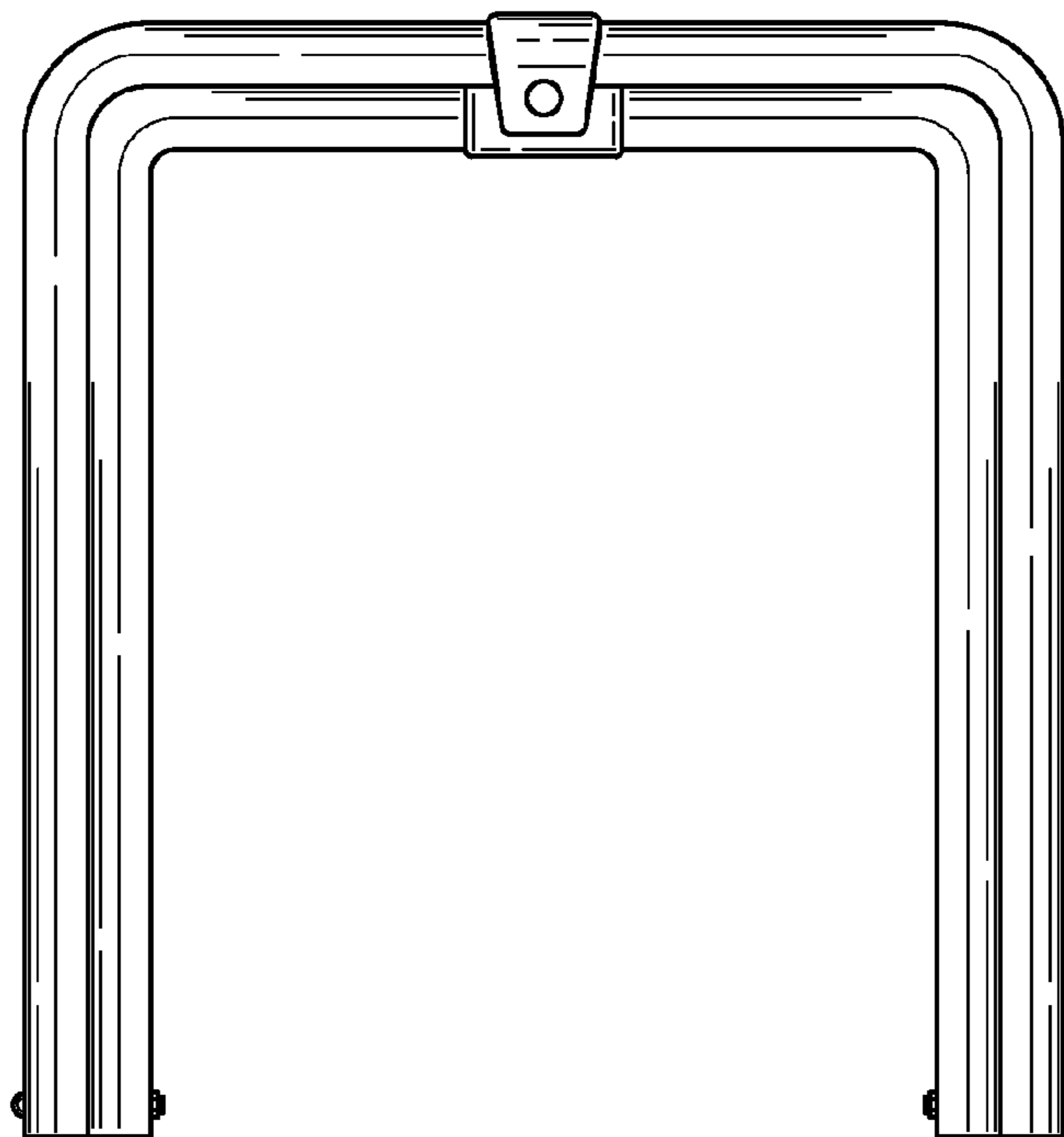


FIG. 8

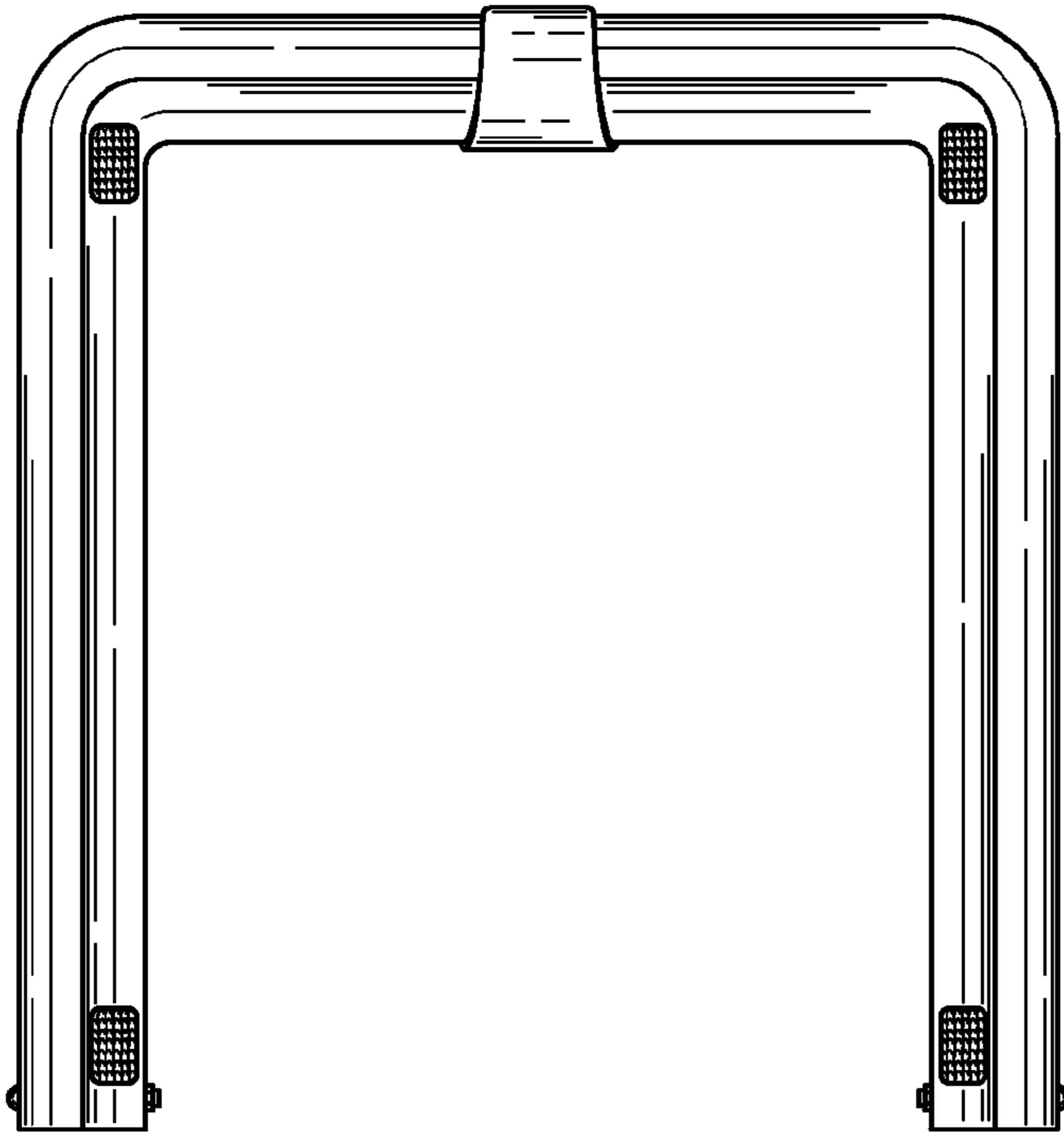


FIG. 9

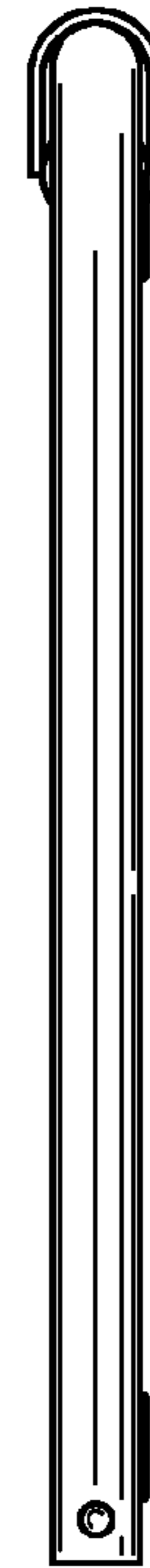


FIG. 10



FIG. 11



FIG. 12