



US00D625086S

(12) **United States Design Patent**  
**Key**

(10) **Patent No.:** **US D625,086 S**  
(45) **Date of Patent:** **\*\* Oct. 12, 2010**

(54) **SHOE SOLE COVER**

(76) Inventor: **Harriet J. Key**, P.O. Box 1015, Central Islip, NY (US) 11722

(\*\*) Term: **14 Years**

(21) Appl. No.: **29/362,094**

(22) Filed: **May 20, 2010**

(51) **LOC (9) Cl.** ..... **02-04**

(52) **U.S. Cl.** ..... **D2/914**

(58) **Field of Classification Search** ..... D2/896,  
D2/909, 914, 915, 946, 947, 977; D24/192;  
36/73, 112-114, 83, 87, 45, 7.1 R, 7.2-7.6,  
36/135, 59 R, 67 D, 7.3, 7.4, 64

See application file for complete search history.

(56) **References Cited**

**U.S. PATENT DOCUMENTS**

511,166	A *	12/1893	Sedgwick	.....	280/11.3
1,328,957	A *	1/1920	Henry et al.	.....	36/7.6
1,749,351	A *	3/1930	McQueen	.....	36/59 R
2,032,052	A *	2/1936	Friedenberg	.....	36/7.3
D127,991	S *	7/1941	Feinberg	.....	D2/914
3,176,416	A *	4/1965	Seegert	.....	36/7.1 R
3,263,348	A *	8/1966	Cohen et al.	.....	36/117.3
3,313,047	A *	4/1967	Svien	.....	36/7.3
3,486,248	A *	12/1969	Iversen et al.	.....	36/7.3
3,616,552	A *	11/1971	Kniffin	.....	36/7.3
3,643,352	A *	2/1972	Adair	.....	36/7.3
3,858,336	A *	1/1975	Brown	.....	36/135
D250,796	S *	1/1979	DeFever	.....	D2/914
4,434,565	A *	3/1984	Haley	.....	36/7.3
4,598,485	A	7/1986	Joe et al.		
4,616,428	A	10/1986	Leger		
4,616,429	A	10/1986	Acala		
4,850,122	A	7/1989	Schwab, Jr.		
D319,527	S *	9/1991	Hartmann	.....	D2/914
D321,086	S *	10/1991	Klingseis et al.	.....	D2/914

D321,970	S *	12/1991	Cochran	.....	D2/914
5,311,676	A	5/1994	Hughes et al.		
D385,092	S *	10/1997	Holden	.....	D2/909
5,845,416	A	12/1998	Hands		
5,873,185	A	2/1999	Harris et al.		
5,996,258	A	12/1999	Simmons		
6,209,227	B1	4/2001	Swango et al.		
7,108,154	B1	9/2006	Thompson		

\* cited by examiner

*Primary Examiner*—Robert M Spear

*Assistant Examiner*—Rashida C McCoy

(74) *Attorney, Agent, or Firm*—Montgomery Patent and Design; Joseph T. Yaksich; Robert C. Montgomery

(57) **CLAIM**

The ornamental design for a shoe sole cover, as shown and described.

**DESCRIPTION**

FIG. 1 is a perspective view of a shoe sole cover depicted as attached to a shoe, showing my new design;

FIG. 2 is a perspective view of the shoe sole cover depicted with two clips in an open state;

FIG. 3 is a perspective view of the shoe sole cover depicted with clips in a closed state;

FIG. 4 is a front view thereof;

FIG. 5 is a rear view thereof;

FIG. 6 is a left side view thereof;

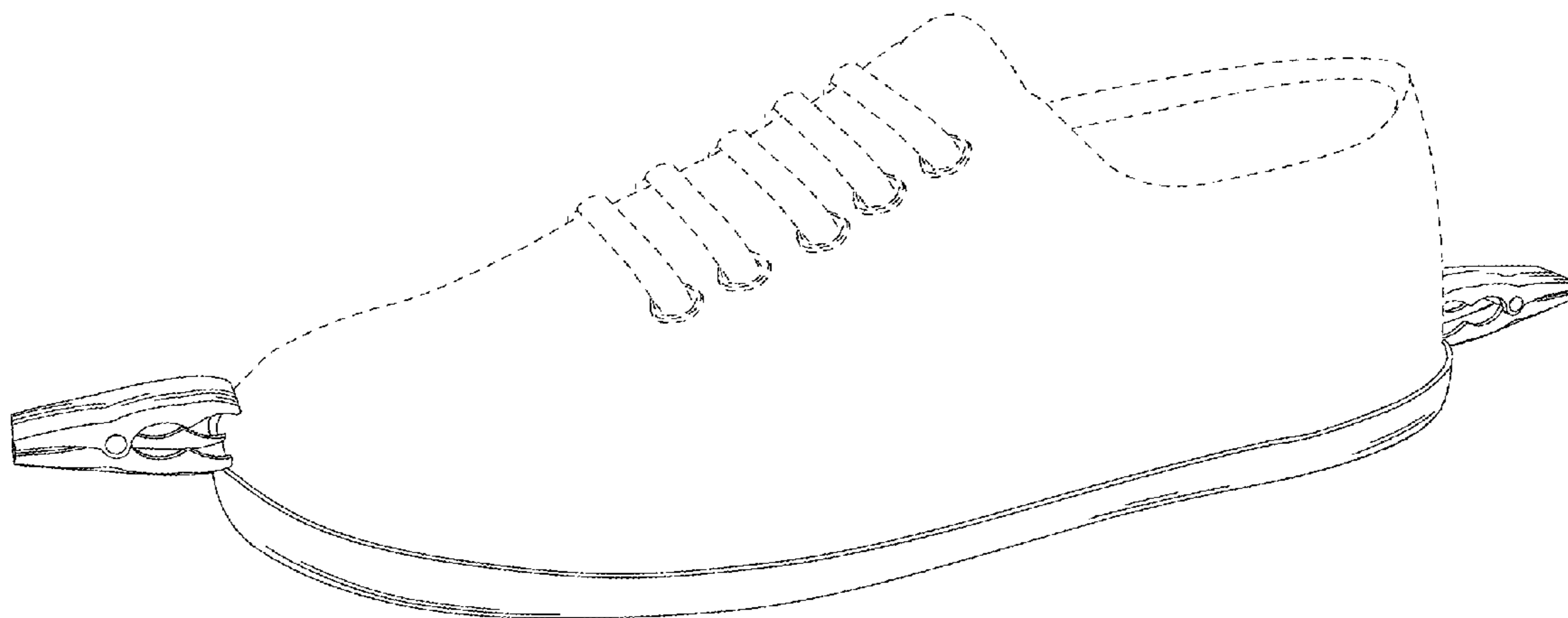
FIG. 7 is a right side view thereof;

FIG. 8 is a top view thereof; and,

FIG. 9 is a bottom view thereof.

The broken lines depicted a shoe are for the purpose of illustrating the invention and form no part of the claimed design.

**1 Claim, 7 Drawing Sheets**



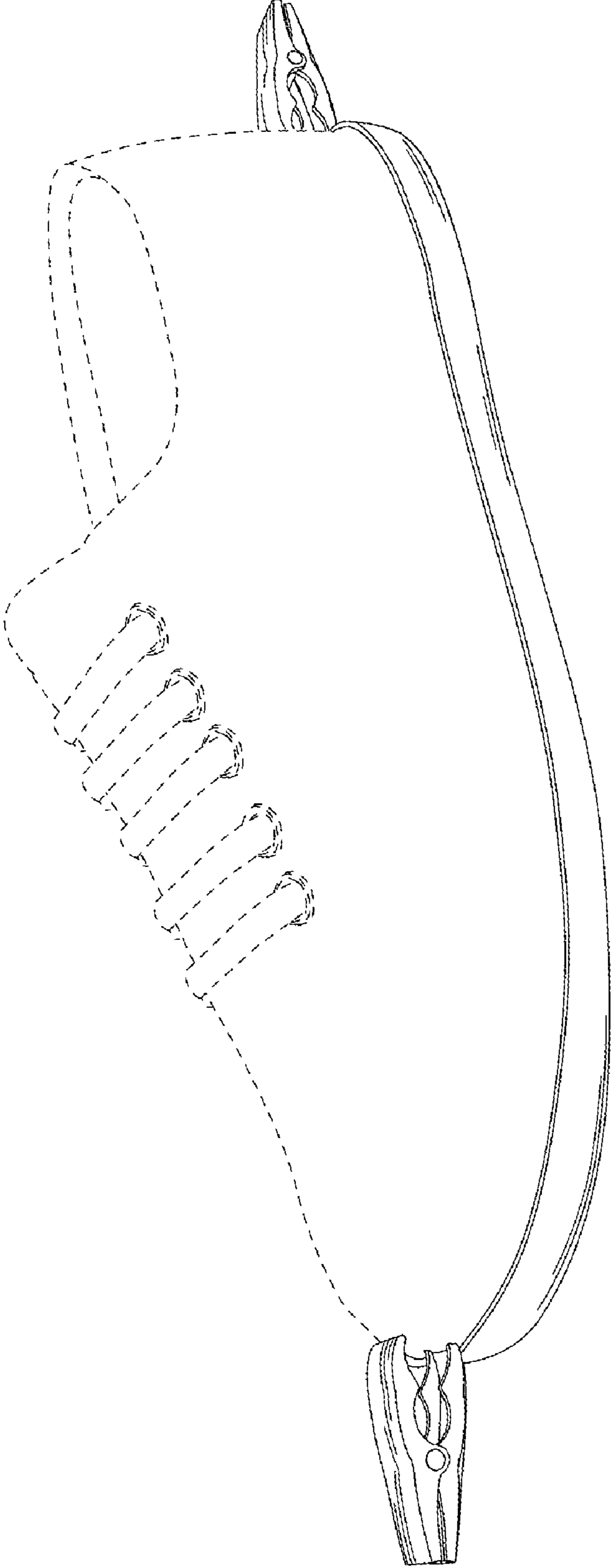


Fig. 1

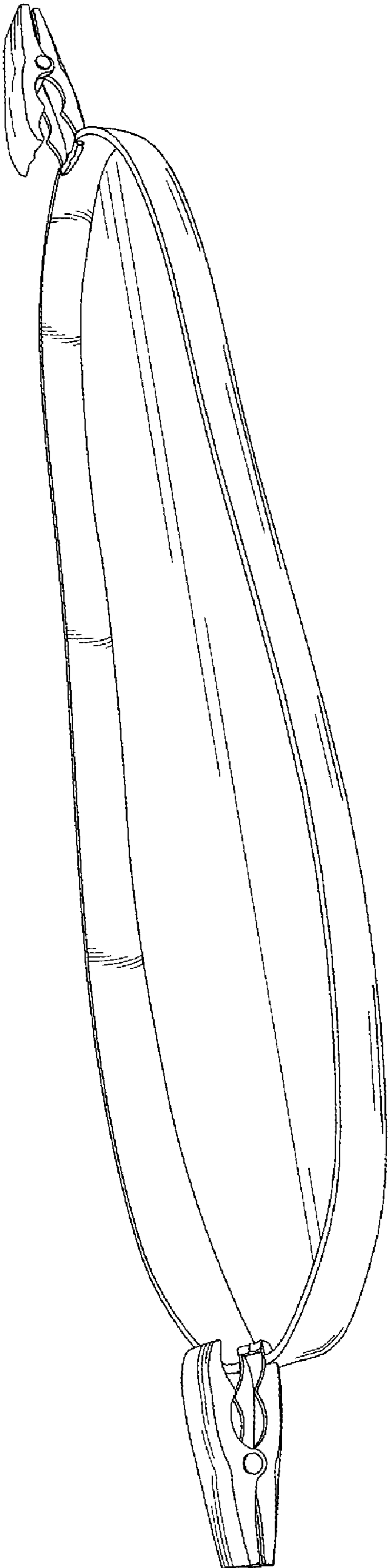


Fig. 2

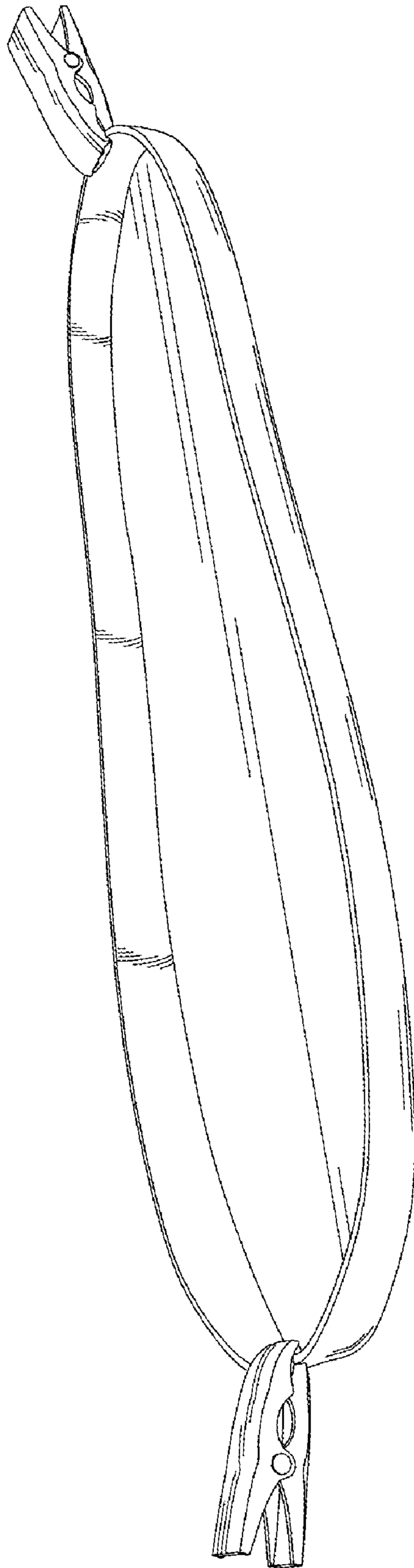


Fig. 3

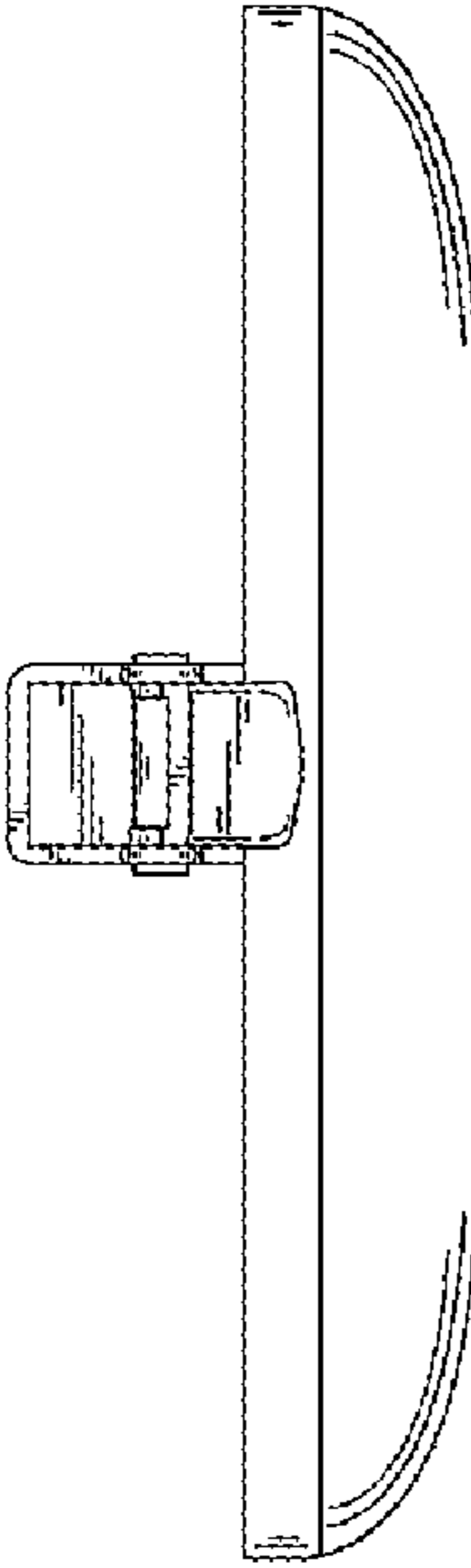


Fig. 4

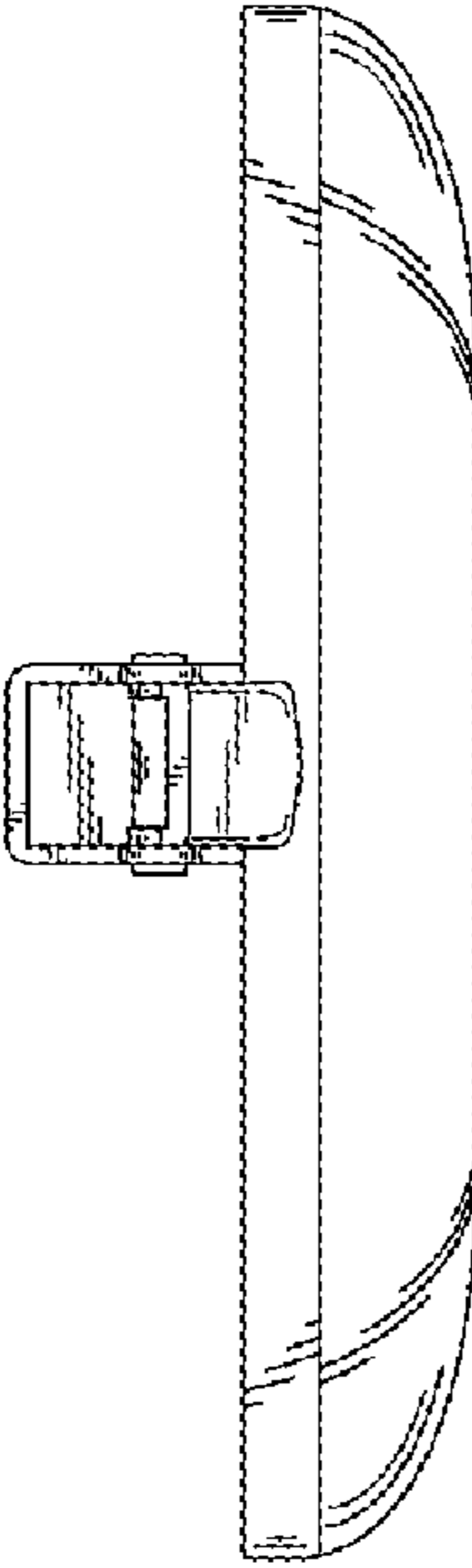


Fig. 5

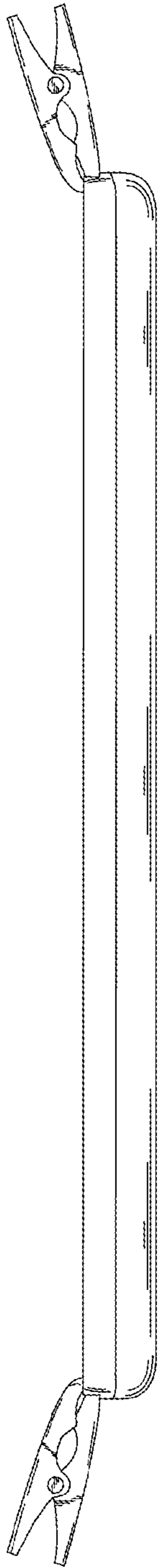


Fig. 6

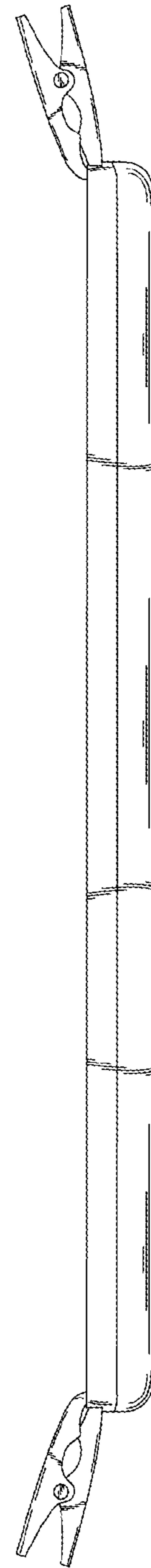


Fig. 7

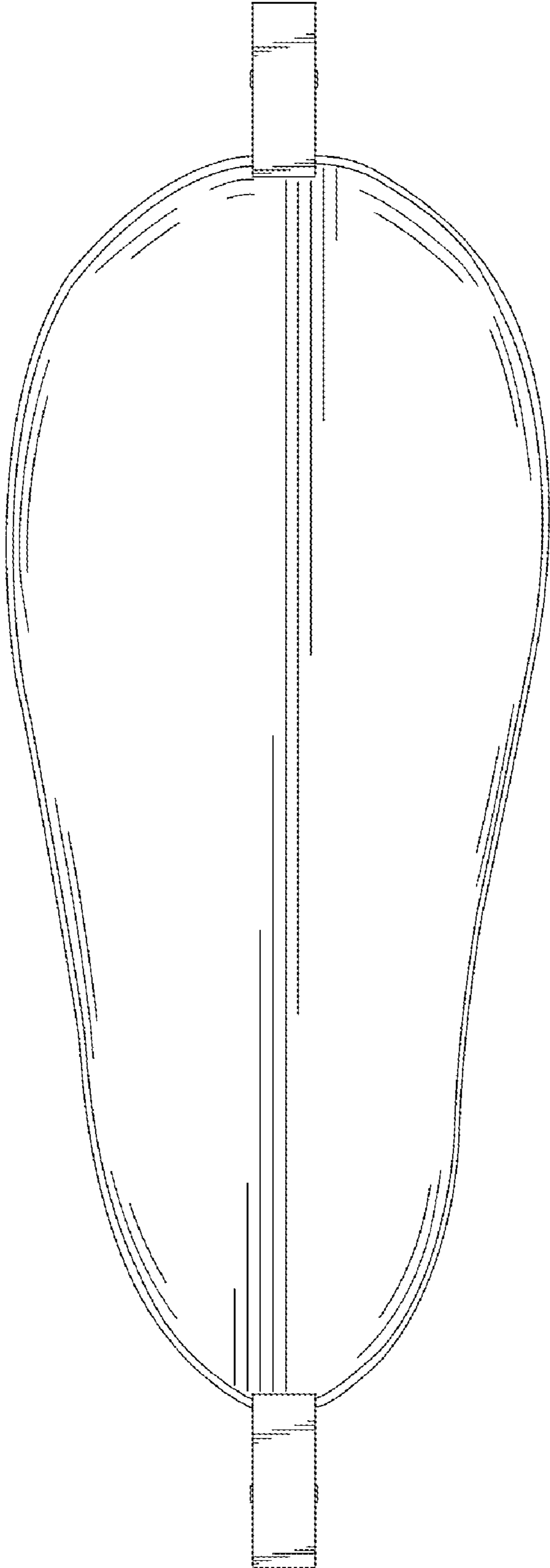


Fig. 8



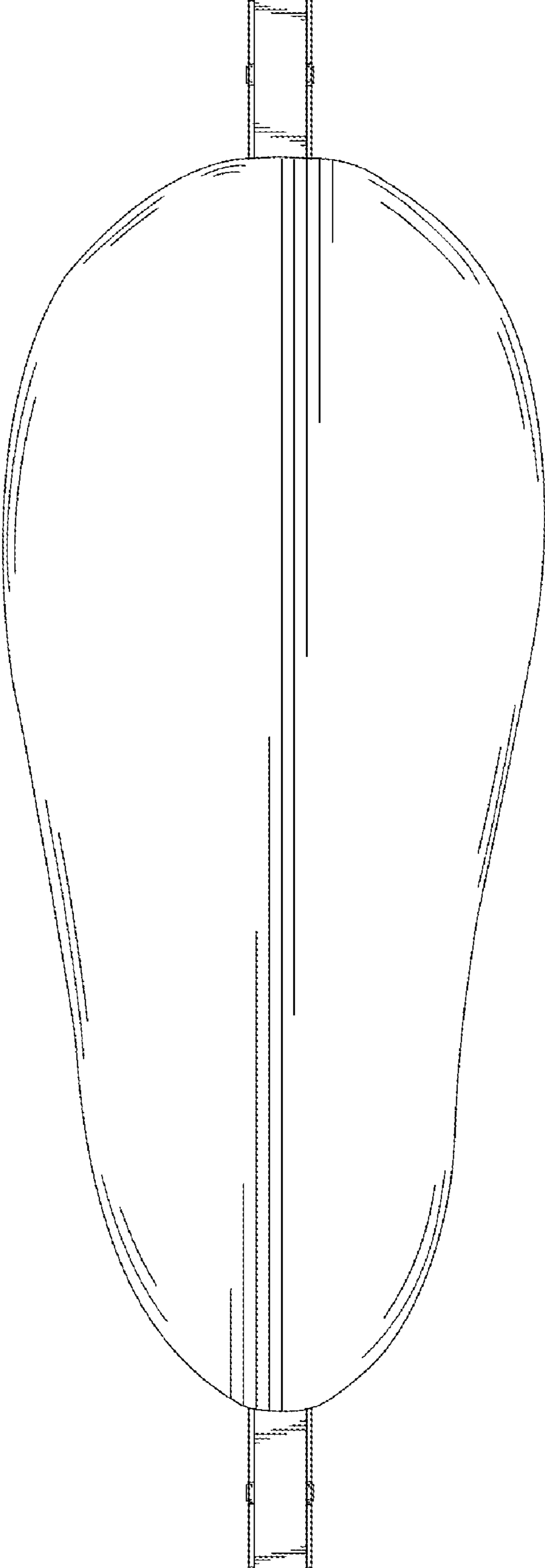


Fig. 9