

US00D625073S

(12) **United States Design Patent**
Hernandez

(10) **Patent No.:** **US D625,073 S**

(45) **Date of Patent:** **** Oct. 5, 2010**

(54) **HYDRAULIC LIFTING JACK**

(75) Inventor: **Hector R. Hernandez**, Fullerton, CA
(US)

(73) Assignee: **Alltrade Tools LLC**, Long Beach, CA
(US)

(**) Term: **14 Years**

(21) Appl. No.: **29/350,941**

(22) Filed: **Nov. 25, 2009**

(51) **LOC (9) Cl.** **12-05**

(52) **U.S. Cl.** **D34/31**

(58) **Field of Classification Search** D34/31;
254/8 B, 9 B, 84, 11, 93 H, DIG. 3
See application file for complete search history.

(56) **References Cited**

U.S. PATENT DOCUMENTS

4,629,391	A *	12/1986	Soyk et al.	414/563
4,704,062	A *	11/1987	Hale	414/494
4,765,593	A *	8/1988	Hung	254/8 B
4,886,243	A *	12/1989	Trumbull	254/88
5,201,494	A *	4/1993	Lundman	254/8 B
5,477,406	A *	12/1995	Schaeffer et al.	360/130.33
D388,926	S *	1/1998	Sorensen	D34/31
D452,597	S *	12/2001	Hung	D34/31

D453,983	S *	2/2002	Lin	D34/31
D582,623	S *	12/2008	Qian et al.	D34/31
D590,121	S *	4/2009	Shen et al.	D34/31
2002/0153514	A1 *	10/2002	Wixey	254/8 B
2003/0136951	A1 *	7/2003	Hung	254/8 B

* cited by examiner

Primary Examiner—Cynthia E Ramirez

(74) *Attorney, Agent, or Firm*—Fulwider Patton LLP

(57) **CLAIM**

The ornamental design for a hydraulic lifting jack, as shown and described.

DESCRIPTION

FIG. 1 is a perspective view showing my new design;

FIG. 2 is a top view thereof;

FIG. 3 is a left side view thereof, the right side view of the design being a mirror image of the left side view.

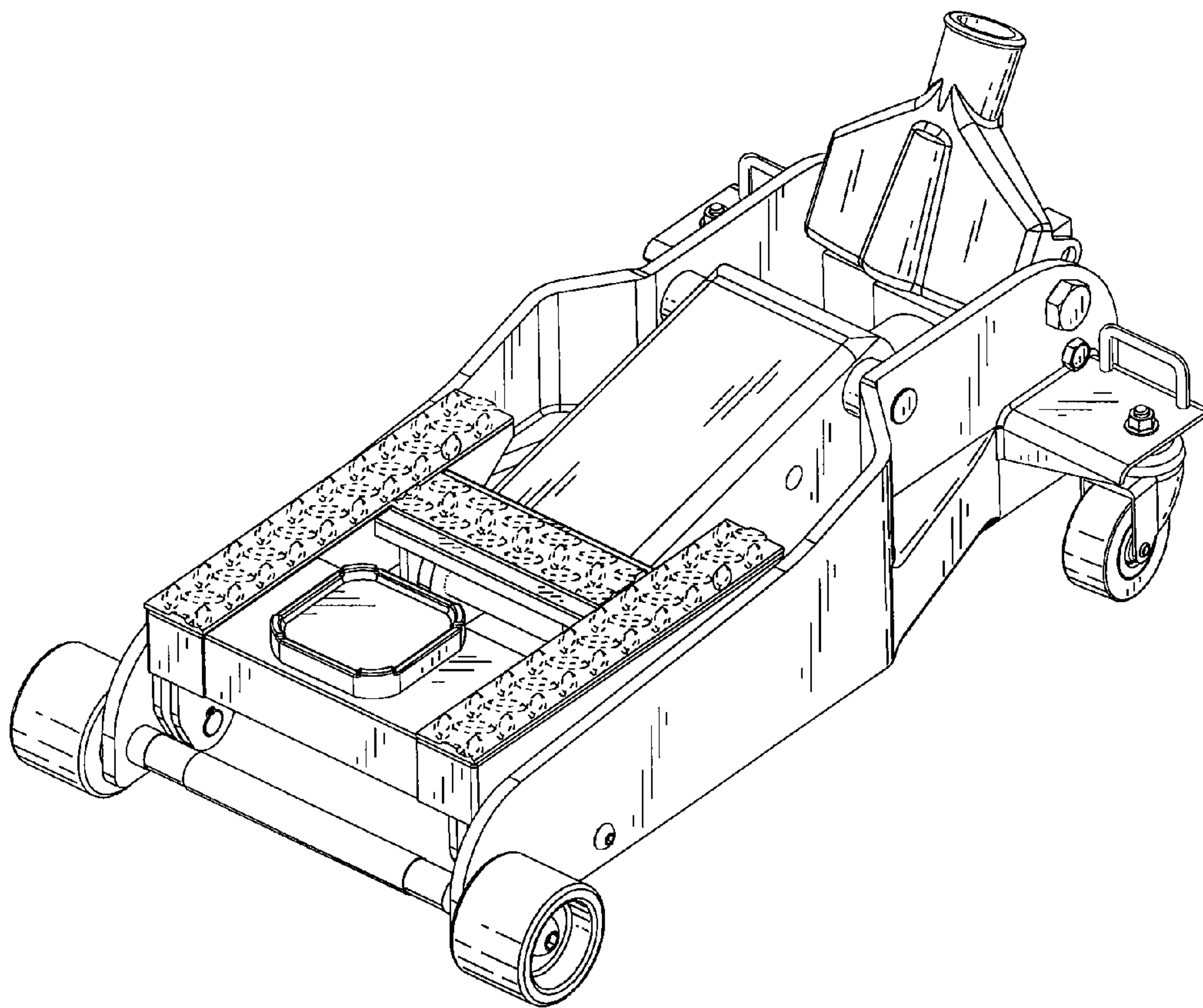
FIG. 4 is back view thereof; and,

FIG. 5 is a front view thereof.

The bottom view of the hydraulic lifting jack is not shown, and forms no part of the claimed design.

The broken lines show environmental structure, and form no part of the claimed design.

1 Claim, 3 Drawing Sheets



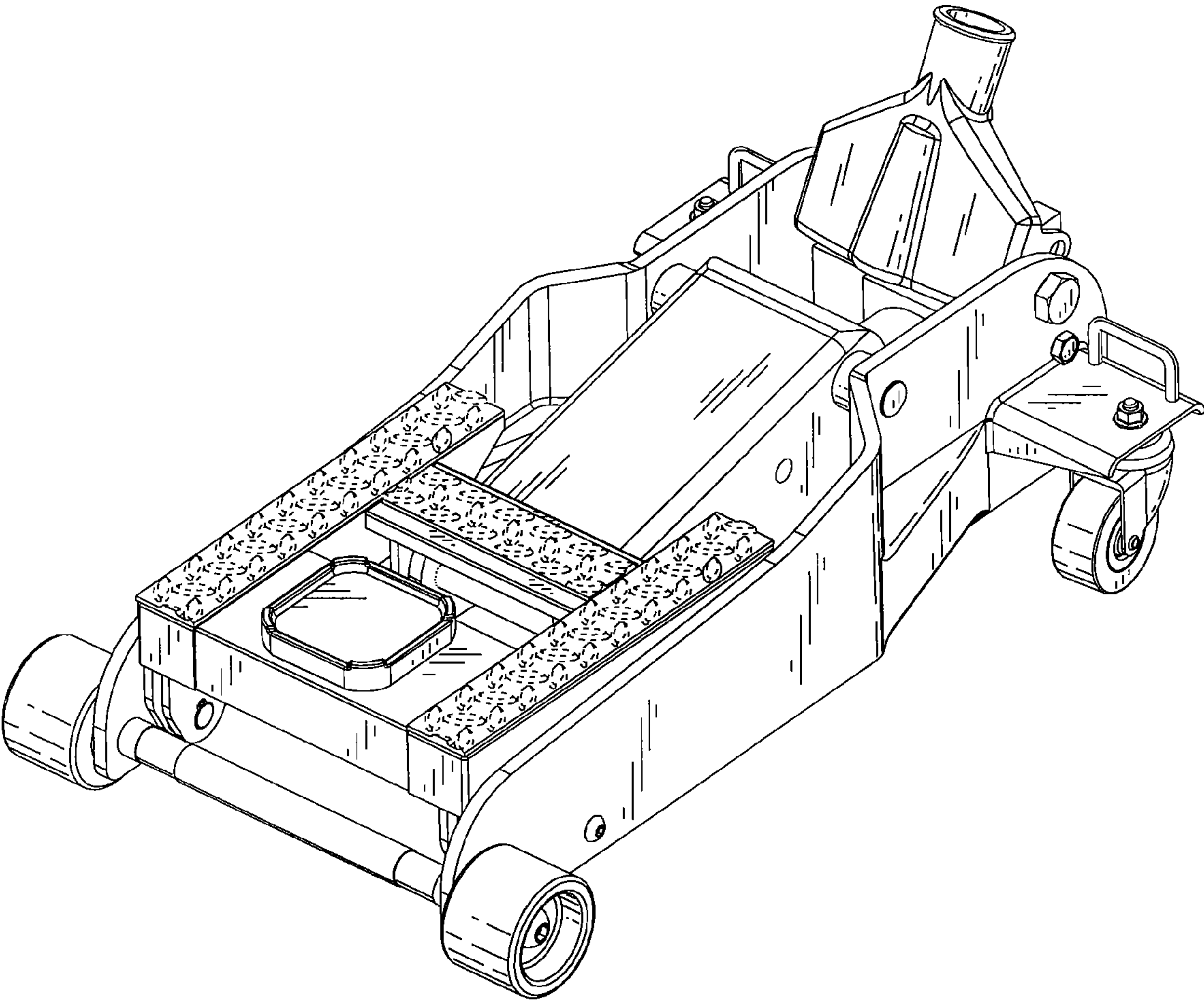


Fig. 1

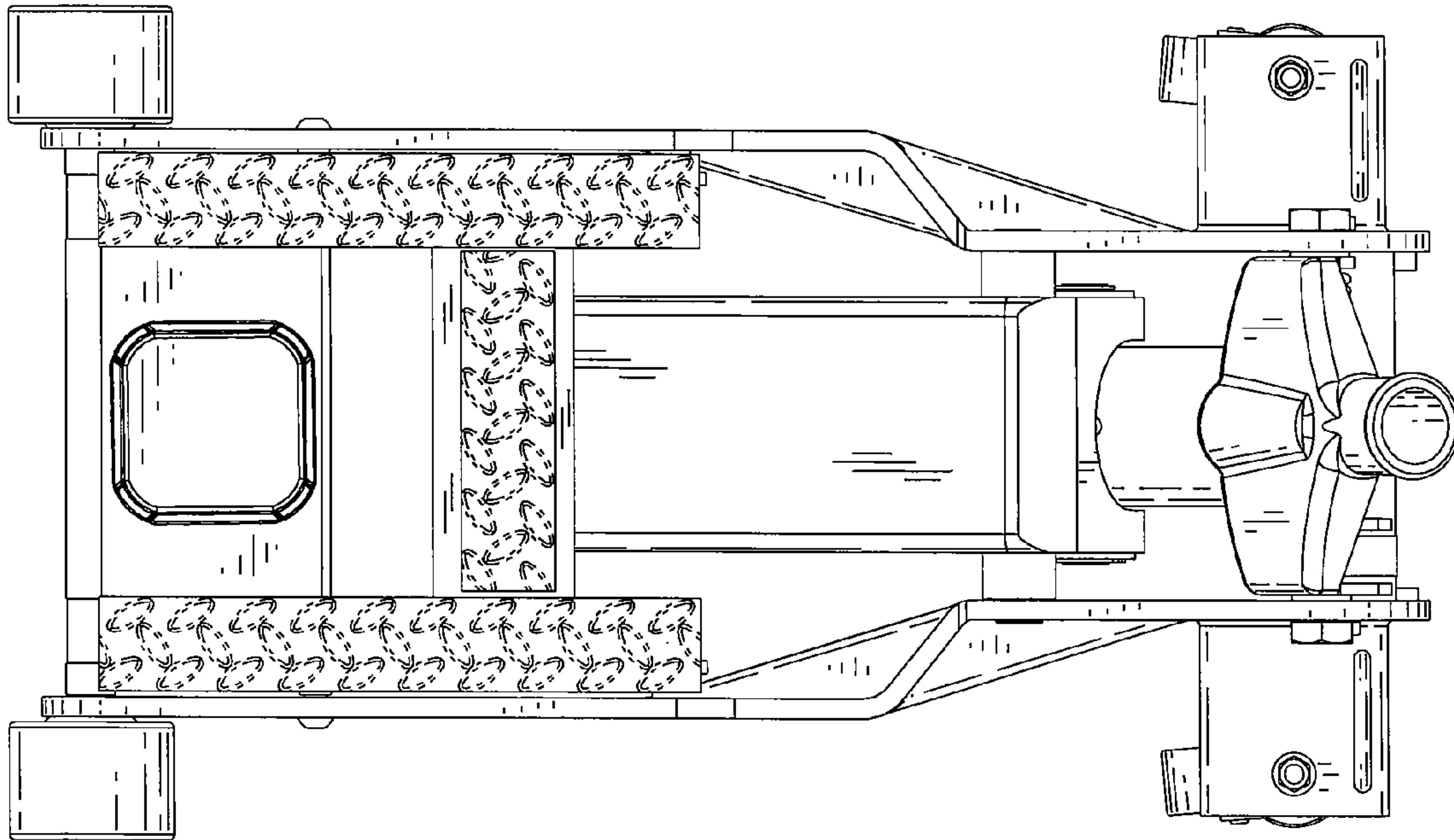


Fig. 2

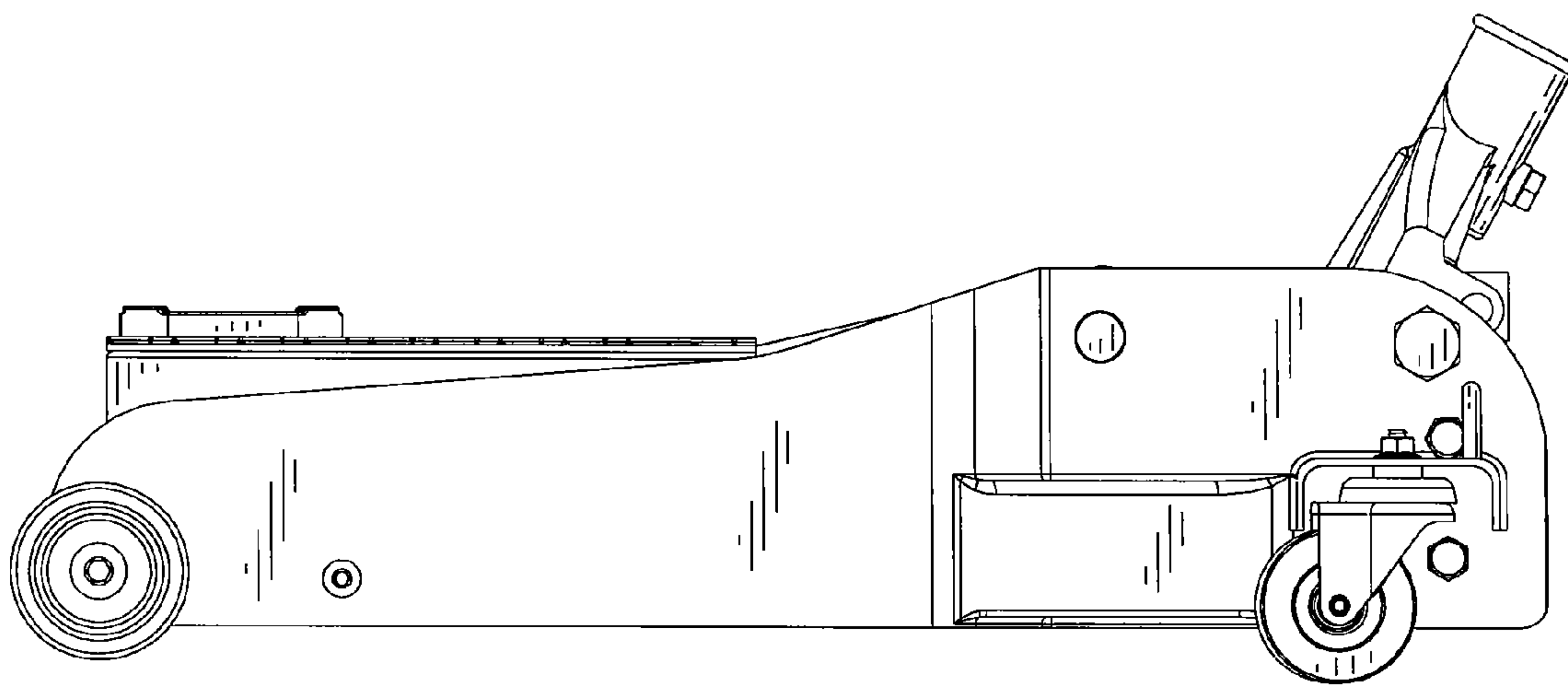


Fig. 3

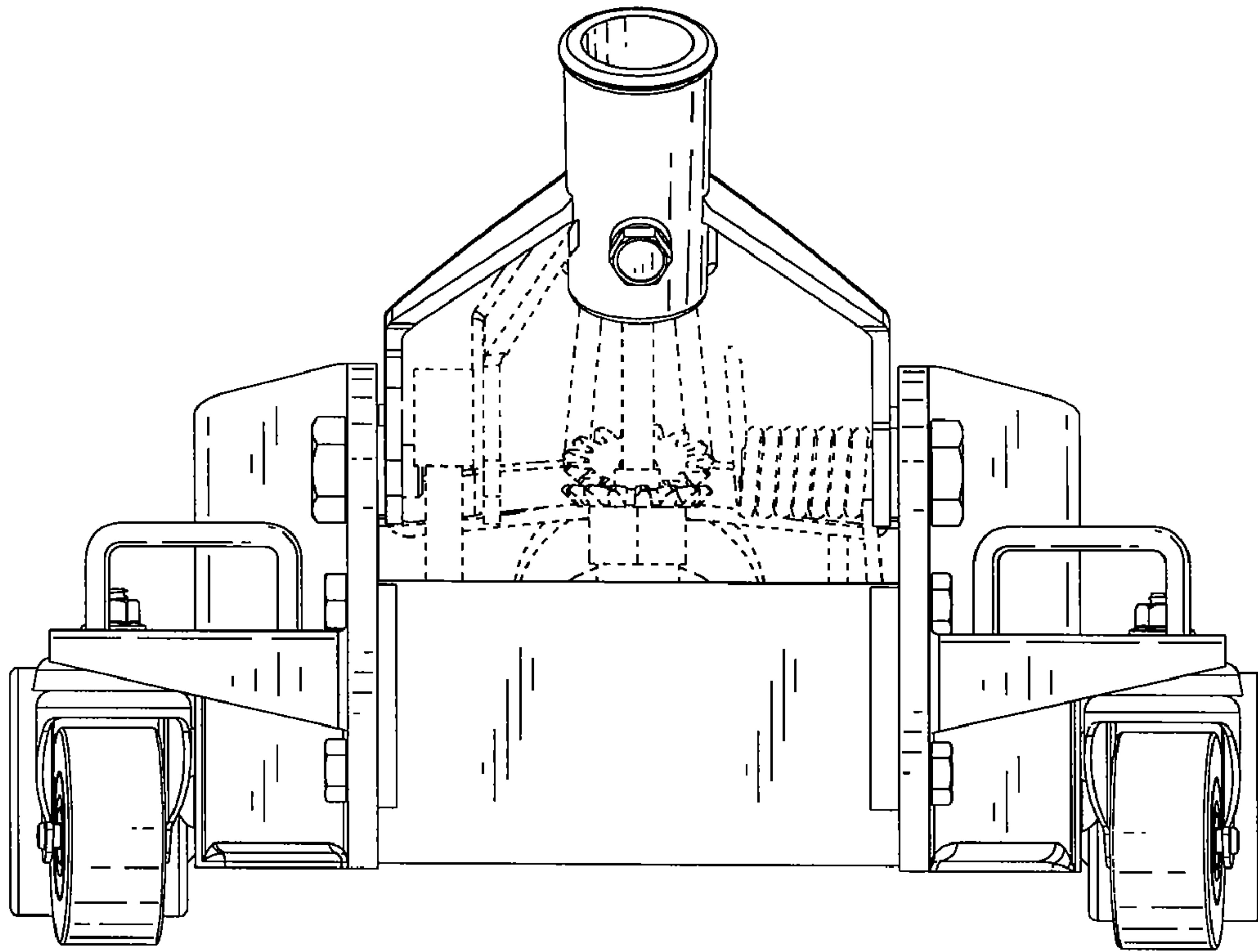


Fig. 4

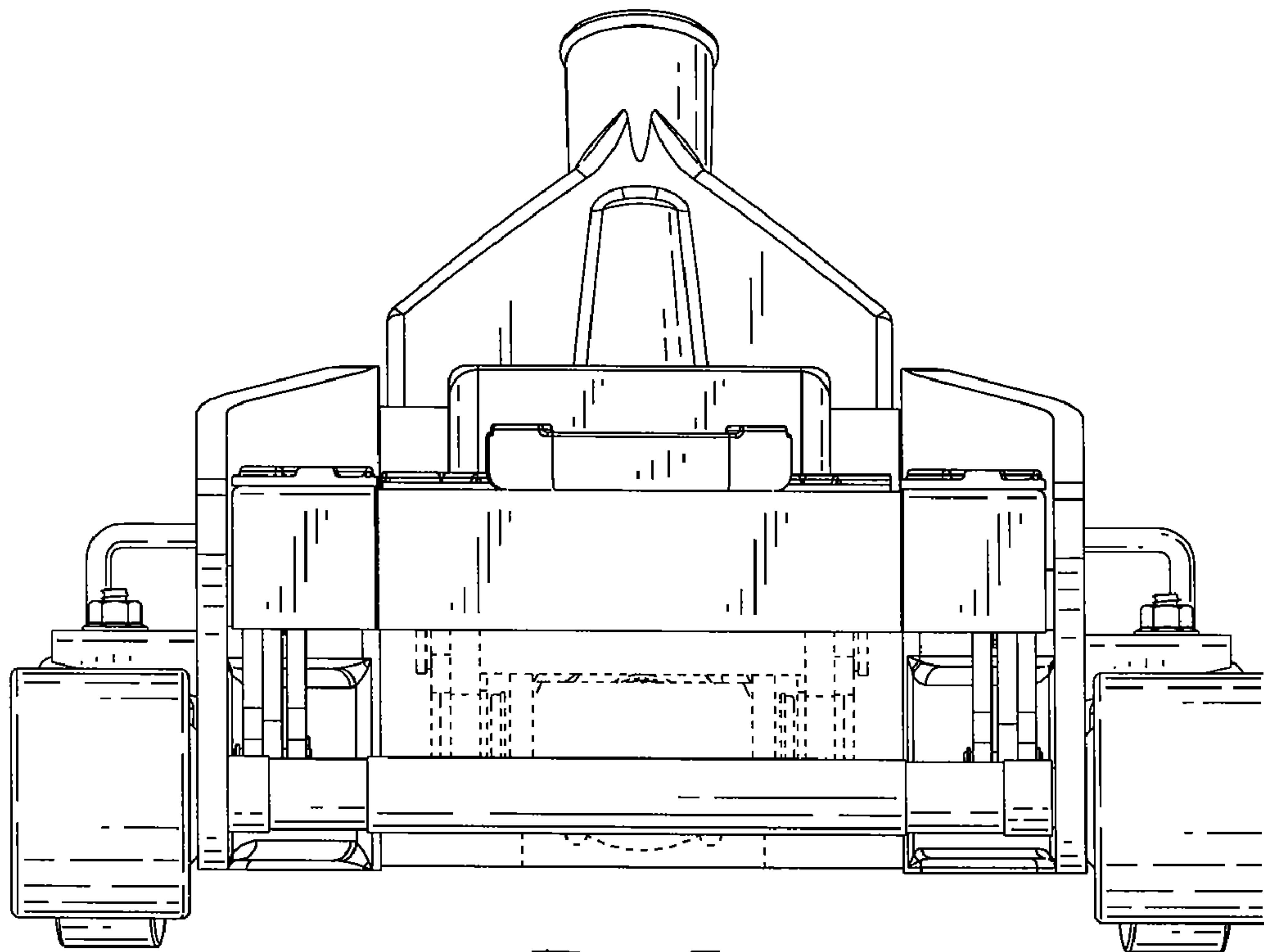


Fig. 5