



US00D625071S

(12) **United States Design Patent**
Shigeno et al.

(10) **Patent No.:** **US D625,071 S**

(45) **Date of Patent:** **** Oct. 5, 2010**

(54) **WAGON FOR VISCERAL FAT METER**

(75) Inventors: **Takashi Shigeno**, Kawasaki (JP);
Kazuya Andachi, Tokyo (JP); **Tadashi Koike**, Kyoto (JP); **Yoshikazu Inami**, Akashi (JP); **Takehiro Hamaguchi**, Kyoto (JP); **Hikomichi Karo**, Kyoto (JP); **Tomoya Ijiri**, Kameoka (JP)

(73) Assignee: **Omron Healthcare Co., Ltd.**, Kyoto (JP)

(**) Term: **14 Years**

(21) Appl. No.: **29/354,214**

(22) Filed: **Jan. 20, 2010**

(30) **Foreign Application Priority Data**

Jul. 31, 2009 (JP) 2009-017619

(51) **LOC (9) Cl.** **12-02**

(52) **U.S. Cl.** **D34/17; D24/185**

(58) **Field of Classification Search** D34/12-27;
280/47.34, 47.35, 79.2, 47.26, 79.5; D24/185,
D24/186

See application file for complete search history.

(56) **References Cited**

U.S. PATENT DOCUMENTS

D165,516 S * 12/1951 Egin D34/26

D517,768 S * 3/2006 Arceta D34/14
D518,267 S * 3/2006 Arceta D34/14
D533,705 S * 12/2006 Bertucci et al. D34/14
D536,151 S * 1/2007 Rossini et al. D34/12
D548,918 S * 8/2007 Nussberger D34/17
D553,324 S * 10/2007 Lieblein D34/14
D612,561 S * 3/2010 Hunter et al. D34/14

* cited by examiner

Primary Examiner—Cynthia E Ramirez

(74) *Attorney, Agent, or Firm*—Capitol City TechLaw

(57) **CLAIM**

The ornamental design for a wagon for visceral fat meter, as shown.

DESCRIPTION

FIG. 1 is a front, top, and right side perspective view of a wagon for visceral fat meter showing our new design;

FIG. 2 is a rear, bottom, and left side perspective view thereof;

FIG. 3 is a front elevational view thereof;

FIG. 4 is a rear elevational view thereof;

FIG. 5 is a top plan view thereof;

FIG. 6 is a bottom plan view thereof;

FIG. 7 is a right side elevational view thereof; and,

FIG. 8 is a left side elevational view thereof.

1 Claim, 8 Drawing Sheets

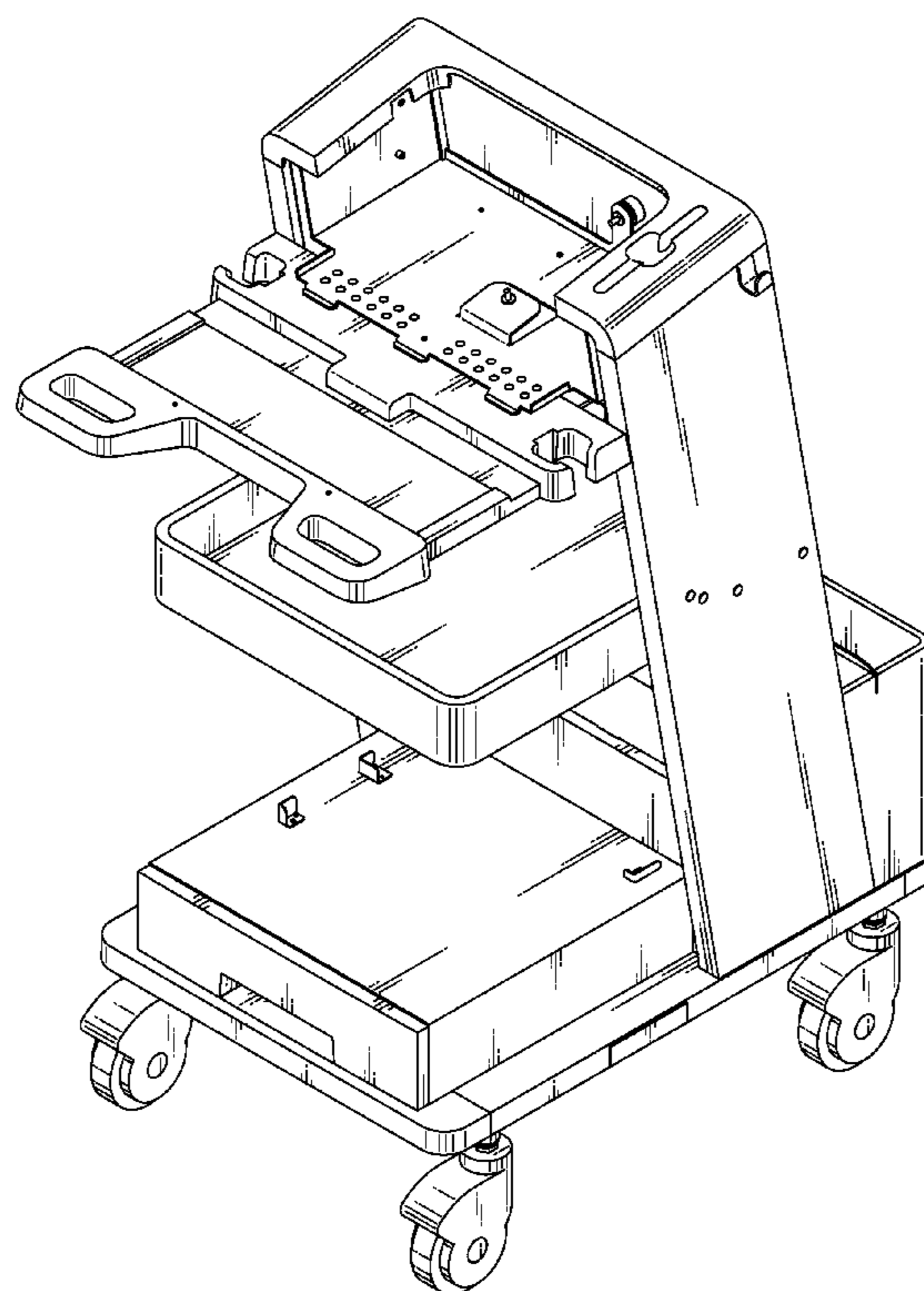


FIG. 1

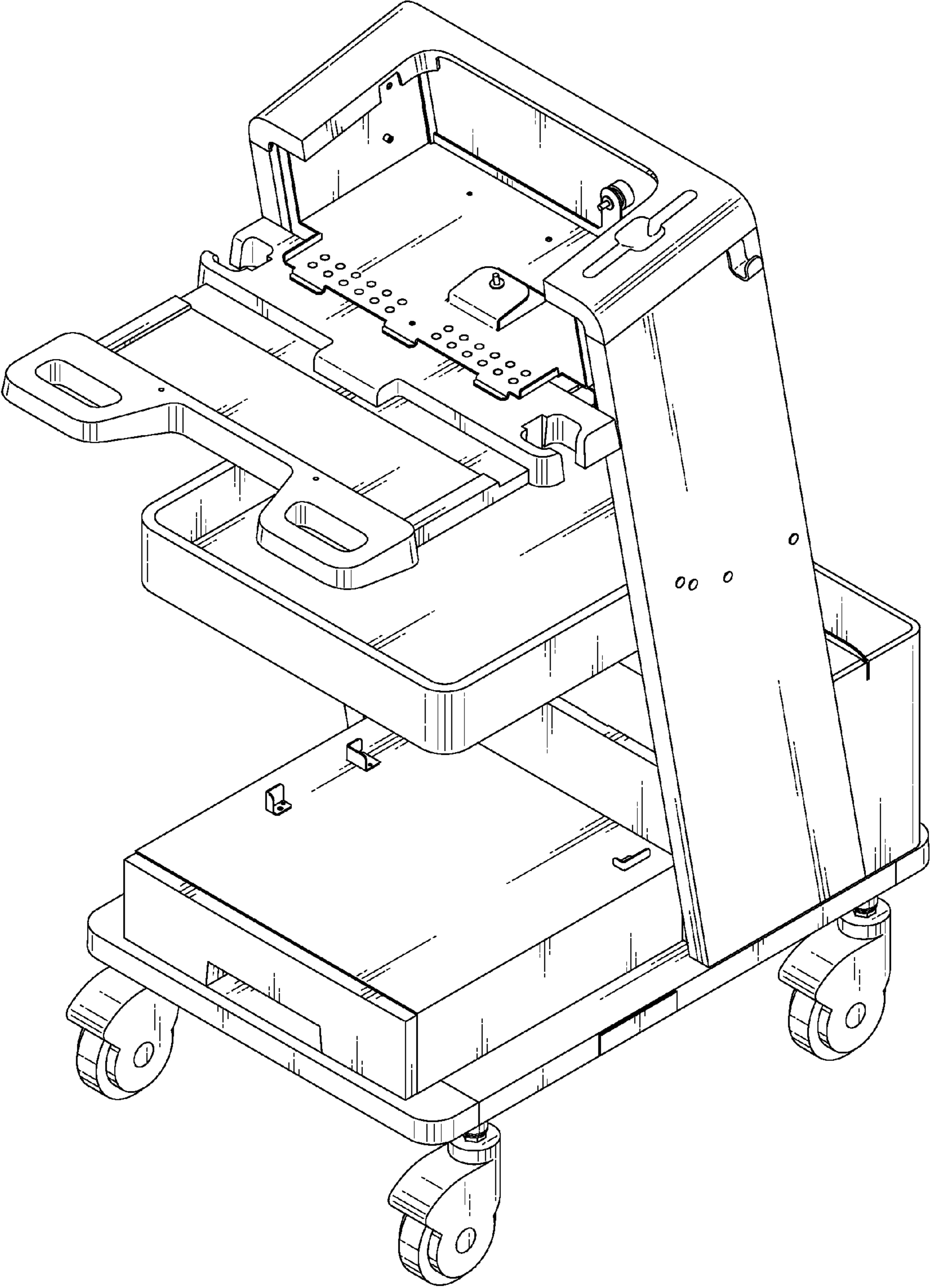


FIG.2

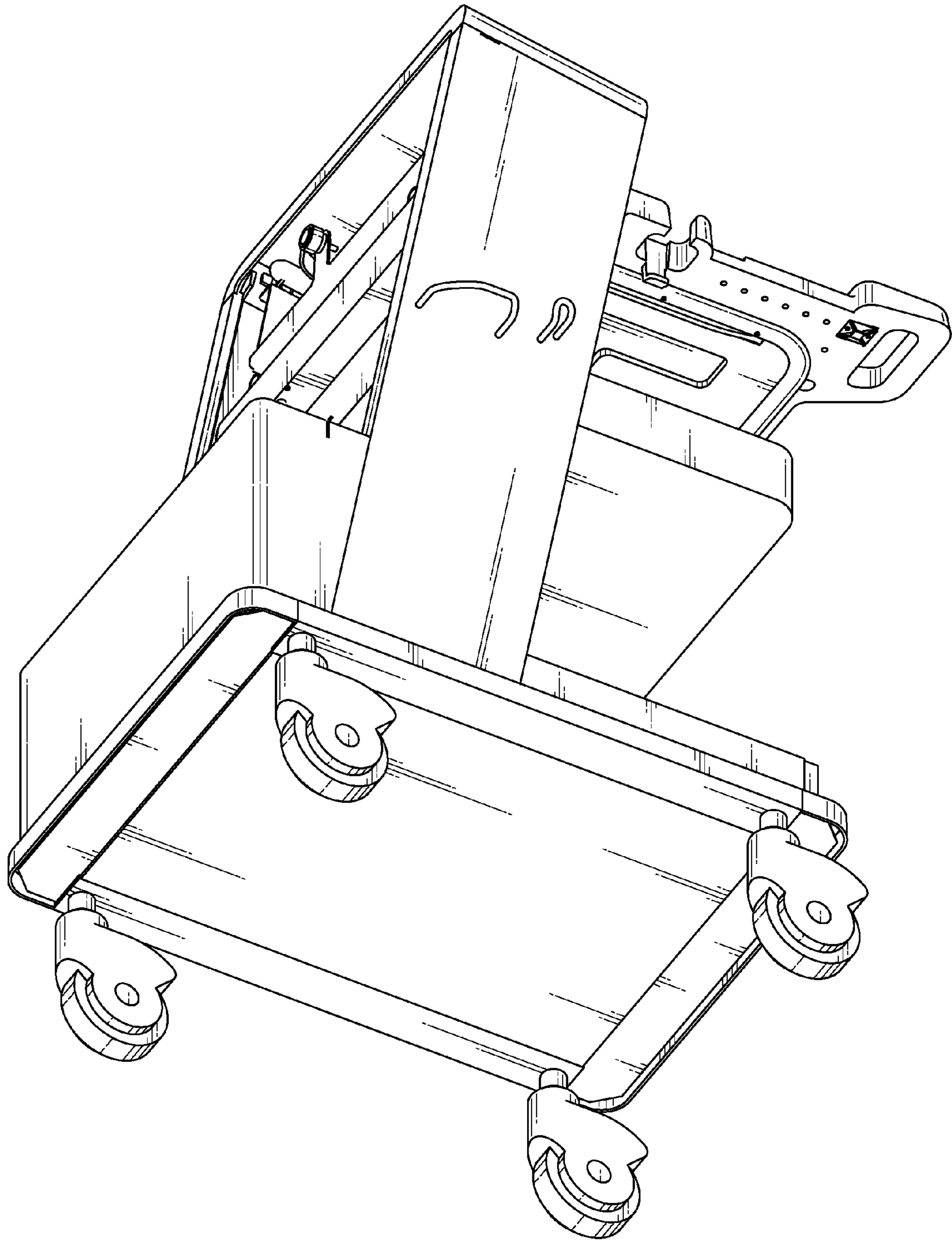


FIG.3

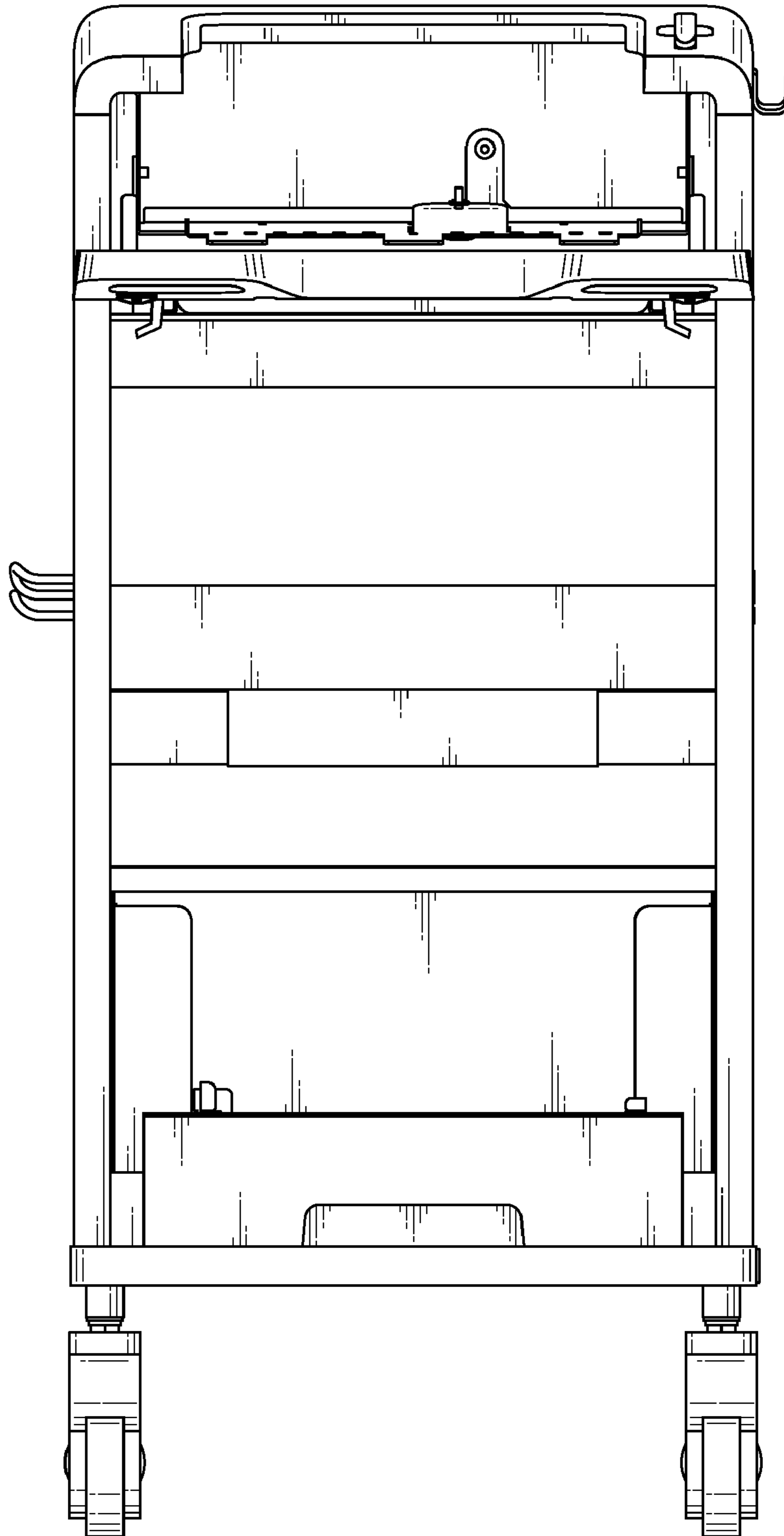


FIG. 4

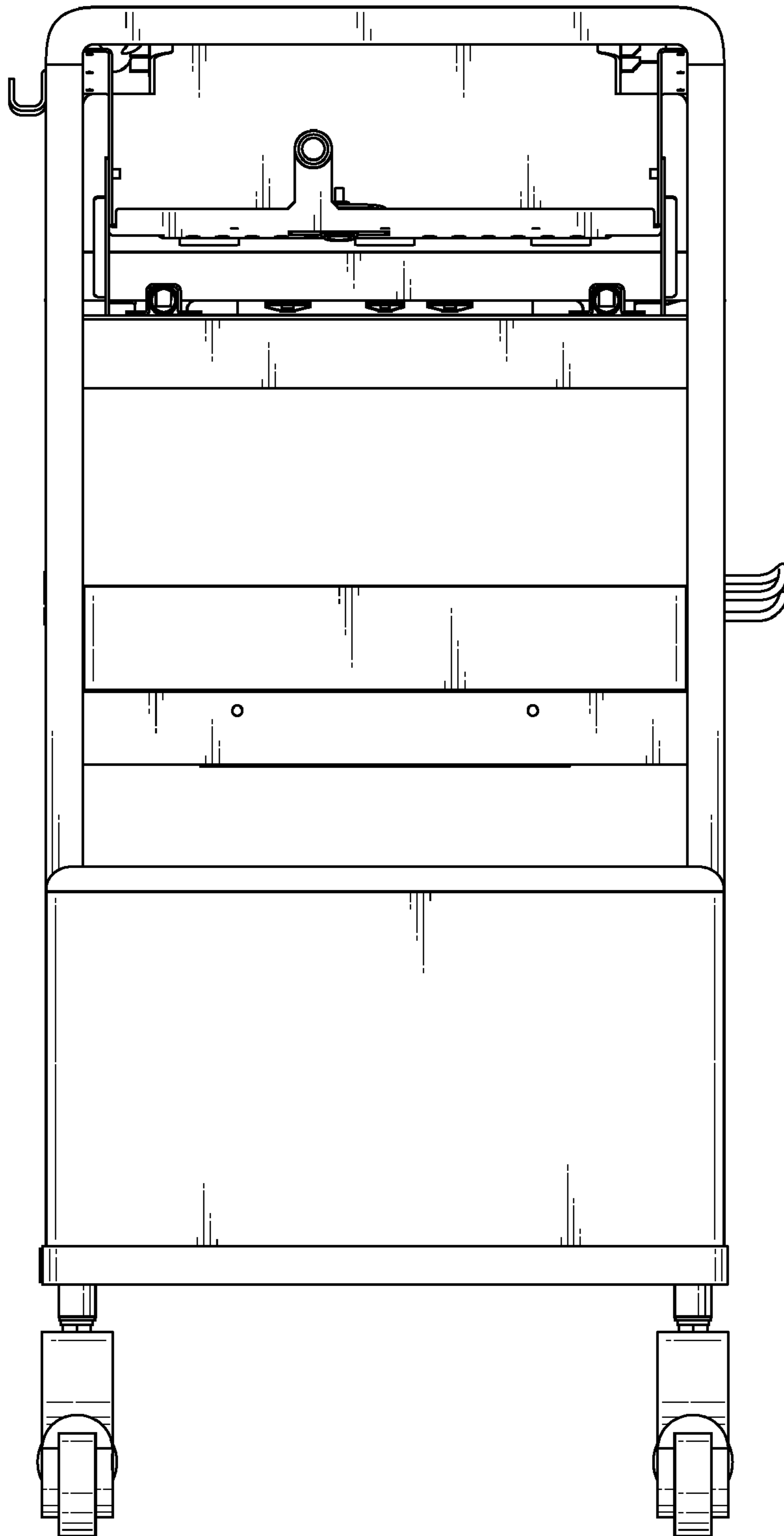


FIG. 5

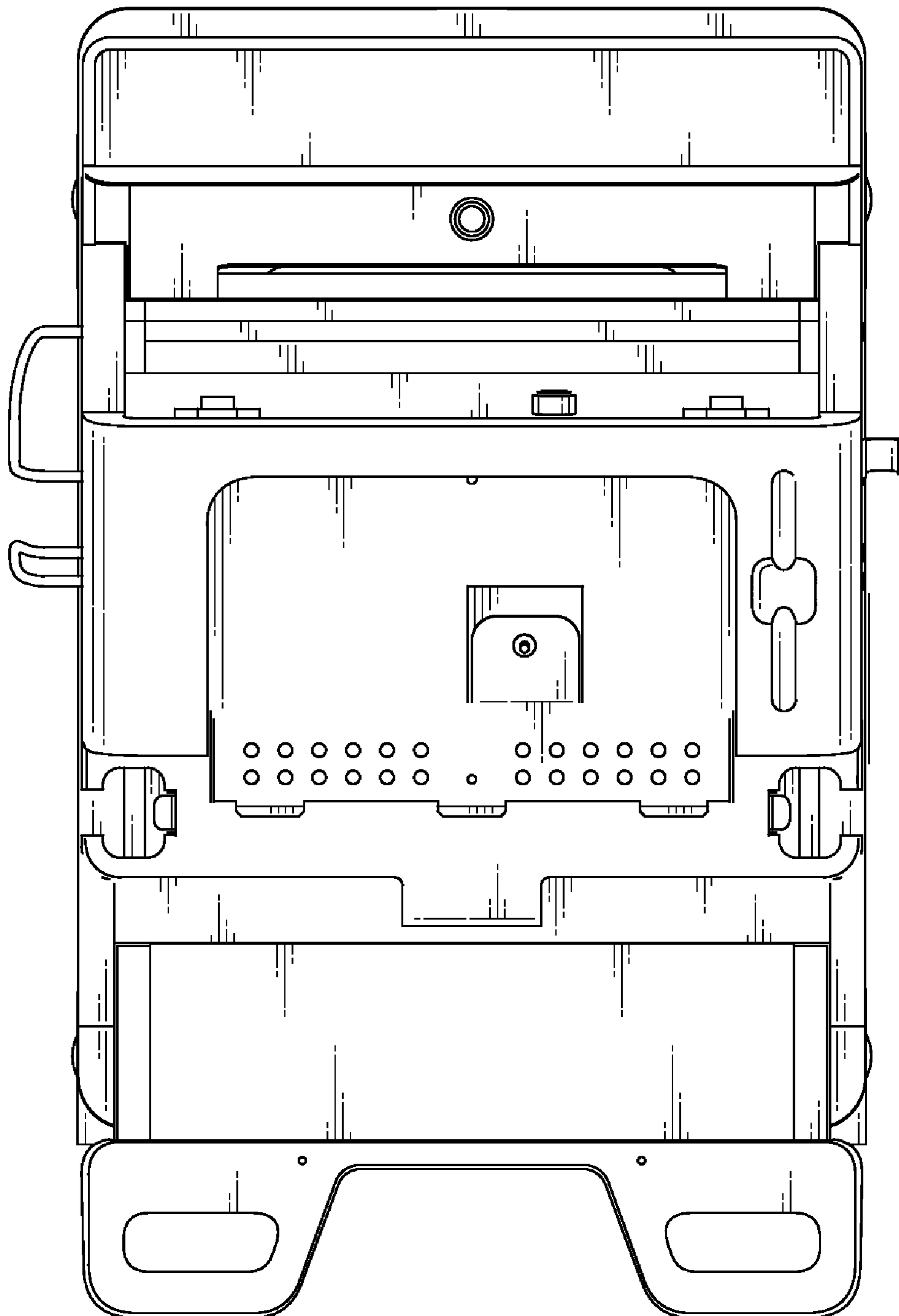


FIG.6

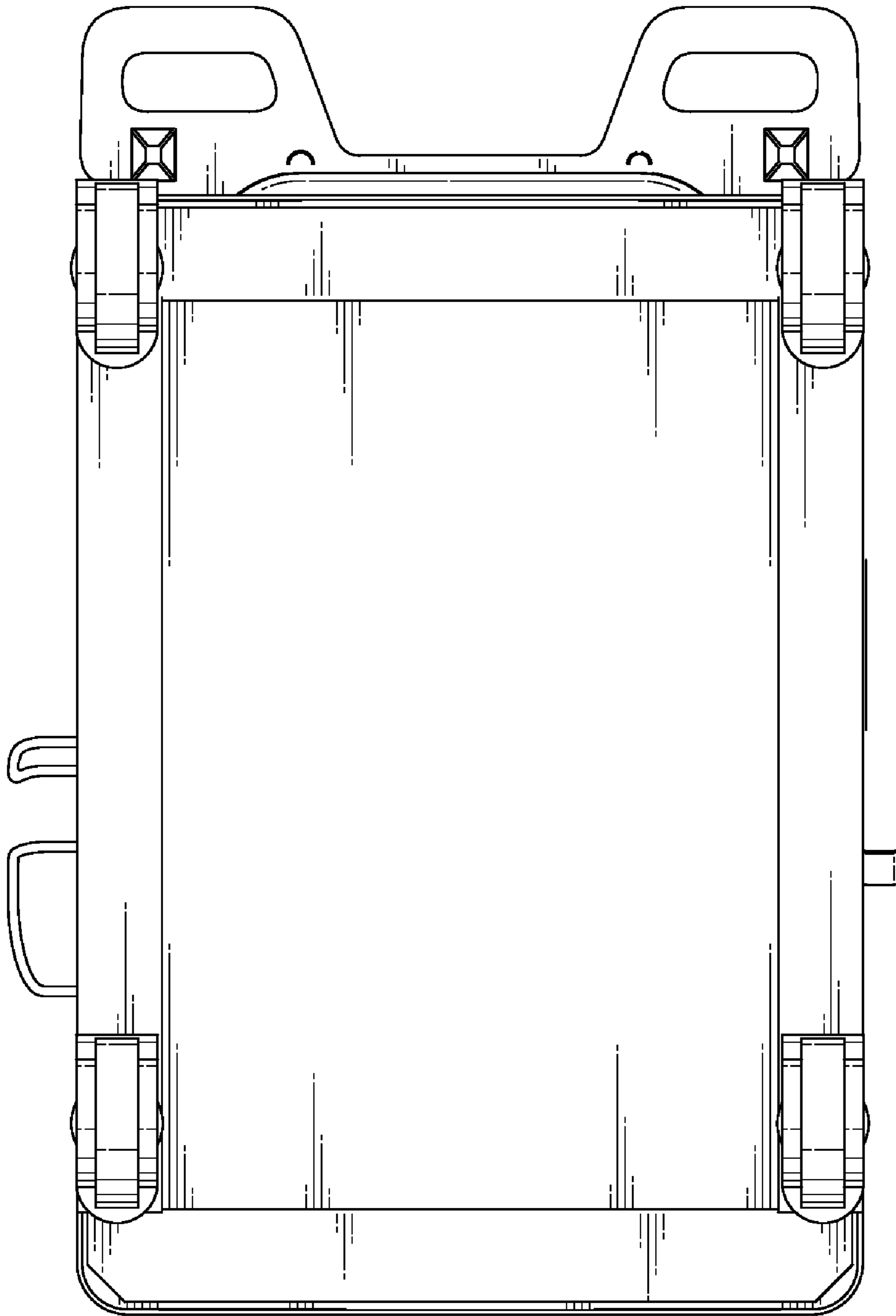


FIG. 7

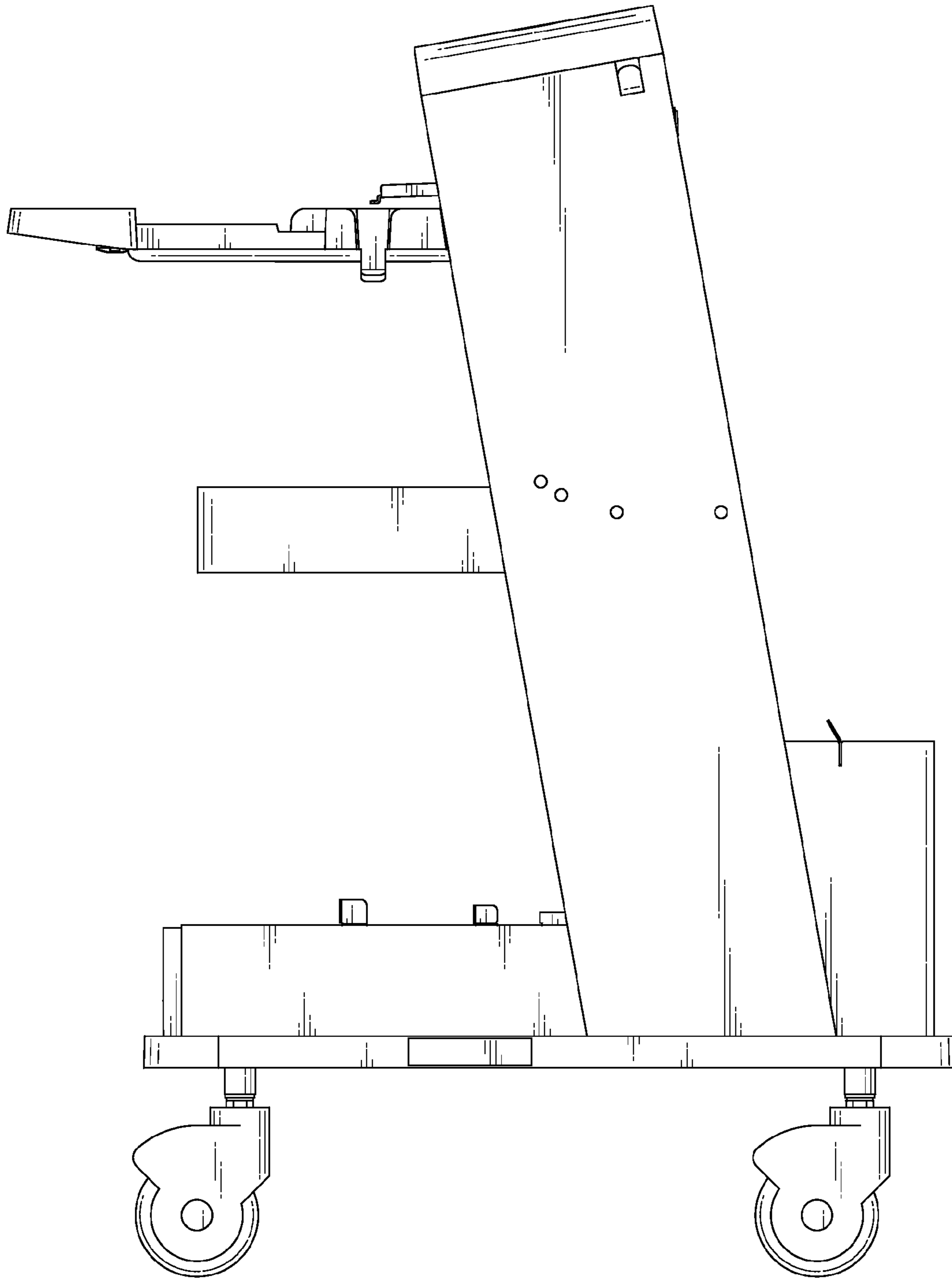


FIG.8

