



US00D625069S

(12) **United States Design Patent**
Maff

(10) **Patent No.:** **US D625,069 S**
(45) **Date of Patent:** **** Oct. 5, 2010**

(54) **BIN WHEEL**

(75) Inventor: **Oanh Shanel Maff**, South Perth (AU)

(73) Assignee: **Turborich Trading Limited**, Kowloon (HK)

(**) Term: **14 Years**

(21) Appl. No.: **29/316,768**

(22) Filed: **Oct. 29, 2009**

(51) **LOC (9) Cl.** **09-09**

(52) **U.S. Cl.** **D34/10; D34/27**

(58) **Field of Classification Search** D34/27,
D34/11, 10, 15; D12/211, 204, 205, 501,
D12/209, 88, 135; 280/282, 47.31, 87.042,
280/DIG. 6; 188/218 XL

See application file for complete search history.

(56) **References Cited**

U.S. PATENT DOCUMENTS

D327,048 S * 6/1992 Markling et al. D12/204
D419,516 S * 1/2000 Gagnon D12/211
D425,007 S * 5/2000 Noriega D12/211
D444,284 S * 6/2001 Konkle D34/27

D495,652 S * 9/2004 James D12/211
D513,220 S * 12/2005 Tirado D12/209
D514,048 S * 1/2006 Sands D12/209
D578,053 S * 10/2008 Neeper D12/211
D586,072 S * 2/2009 Morris D34/27
D615,018 S * 5/2010 Truebsbach D12/211

* cited by examiner

Primary Examiner—Cynthia E Ramirez

(74) *Attorney, Agent, or Firm*—The Halvorson Law Firm

(57) **CLAIM**

The ornamental design for a bin wheel, as shown and described.

DESCRIPTION

FIG. 1 is a perspective view of the bin wheel;
FIG. 2 is a second perspective view of the bin wheel;
FIG. 3 is a side view of the bin wheel;
FIG. 4 is a second side view of the bin wheel;
FIG. 5 is an end view of the bin wheel; and,
FIG. 6 is a second end view of the bin wheel.

1 Claim, 3 Drawing Sheets

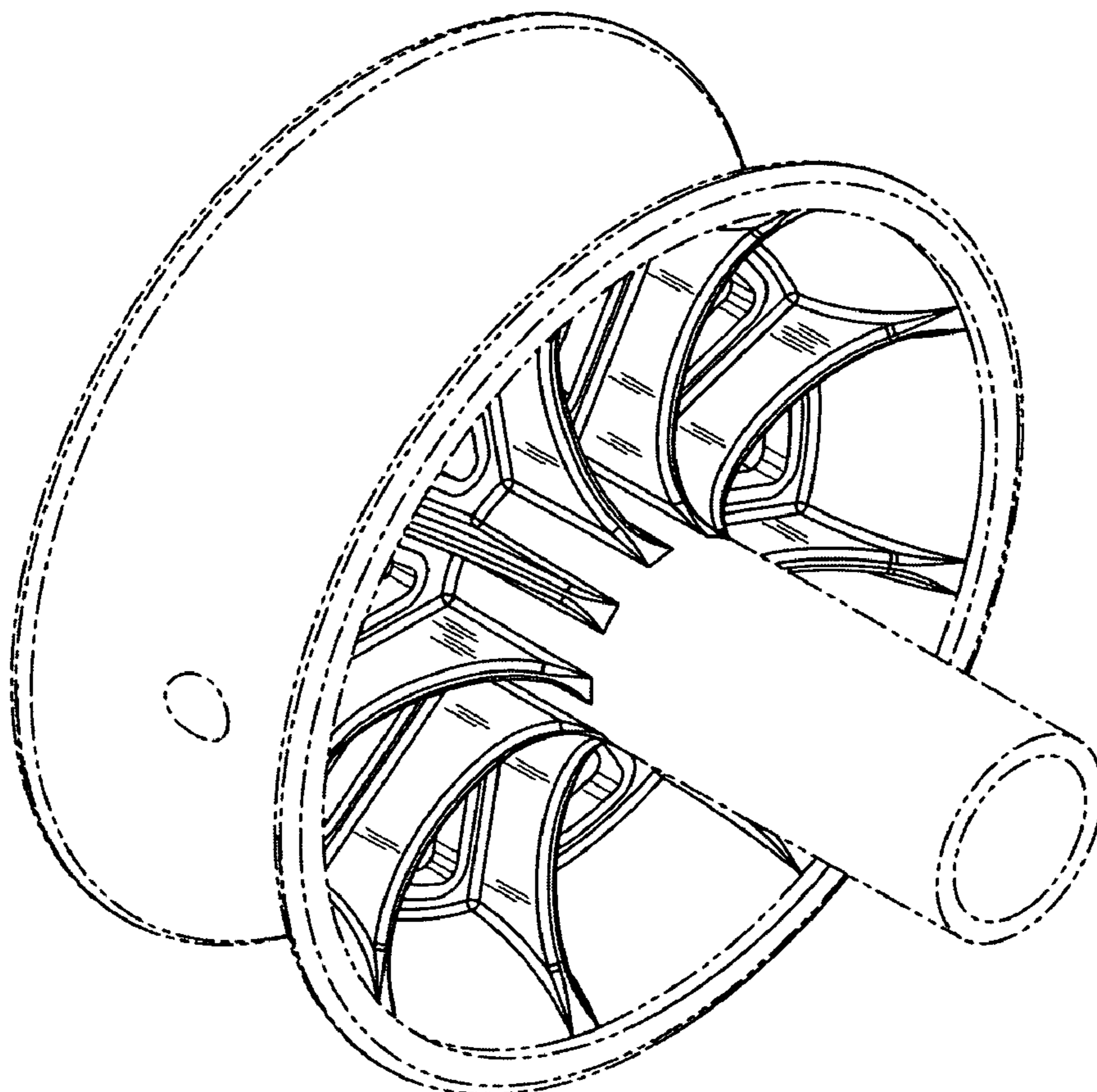


Fig. 1

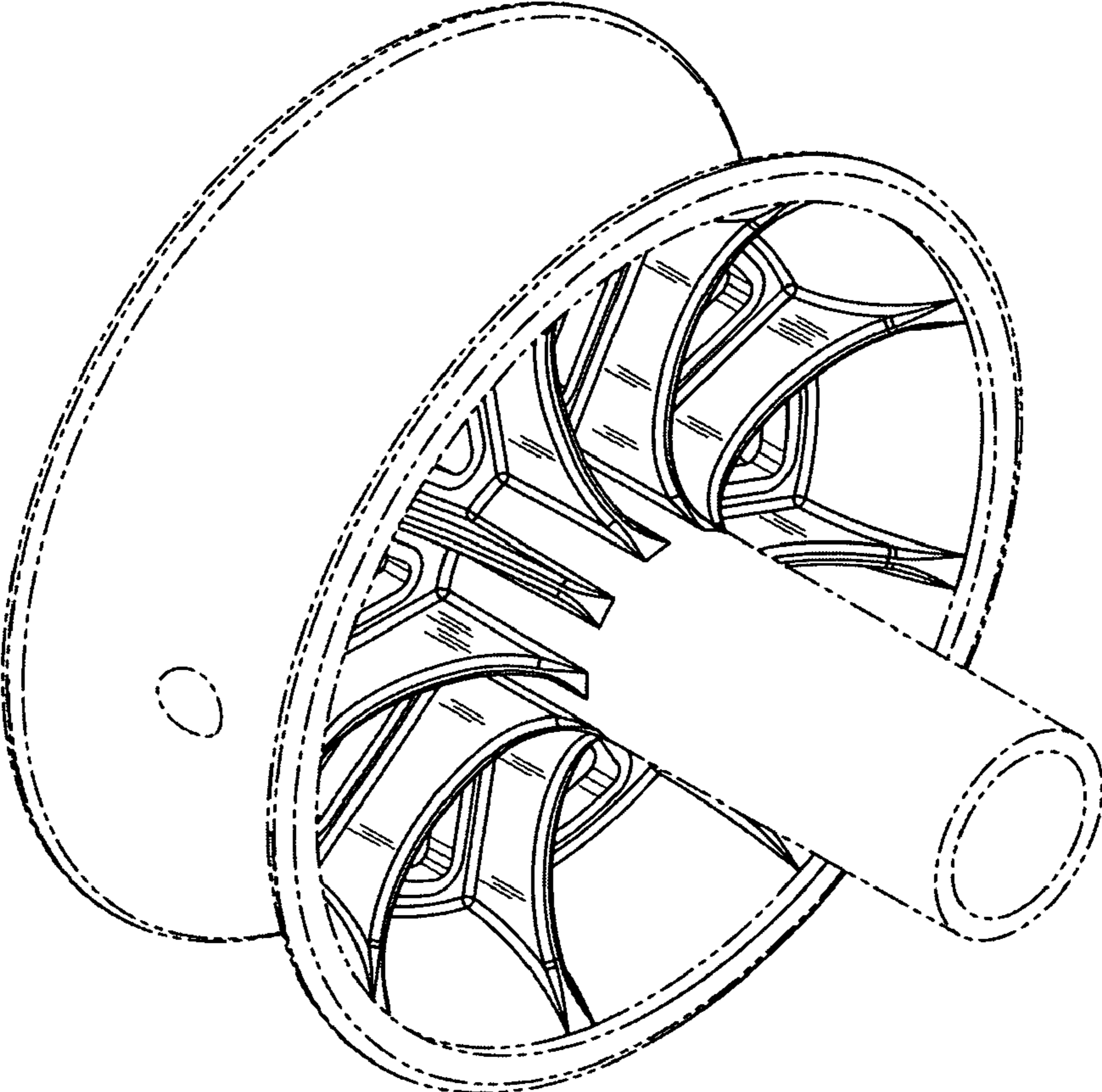


Fig. 2

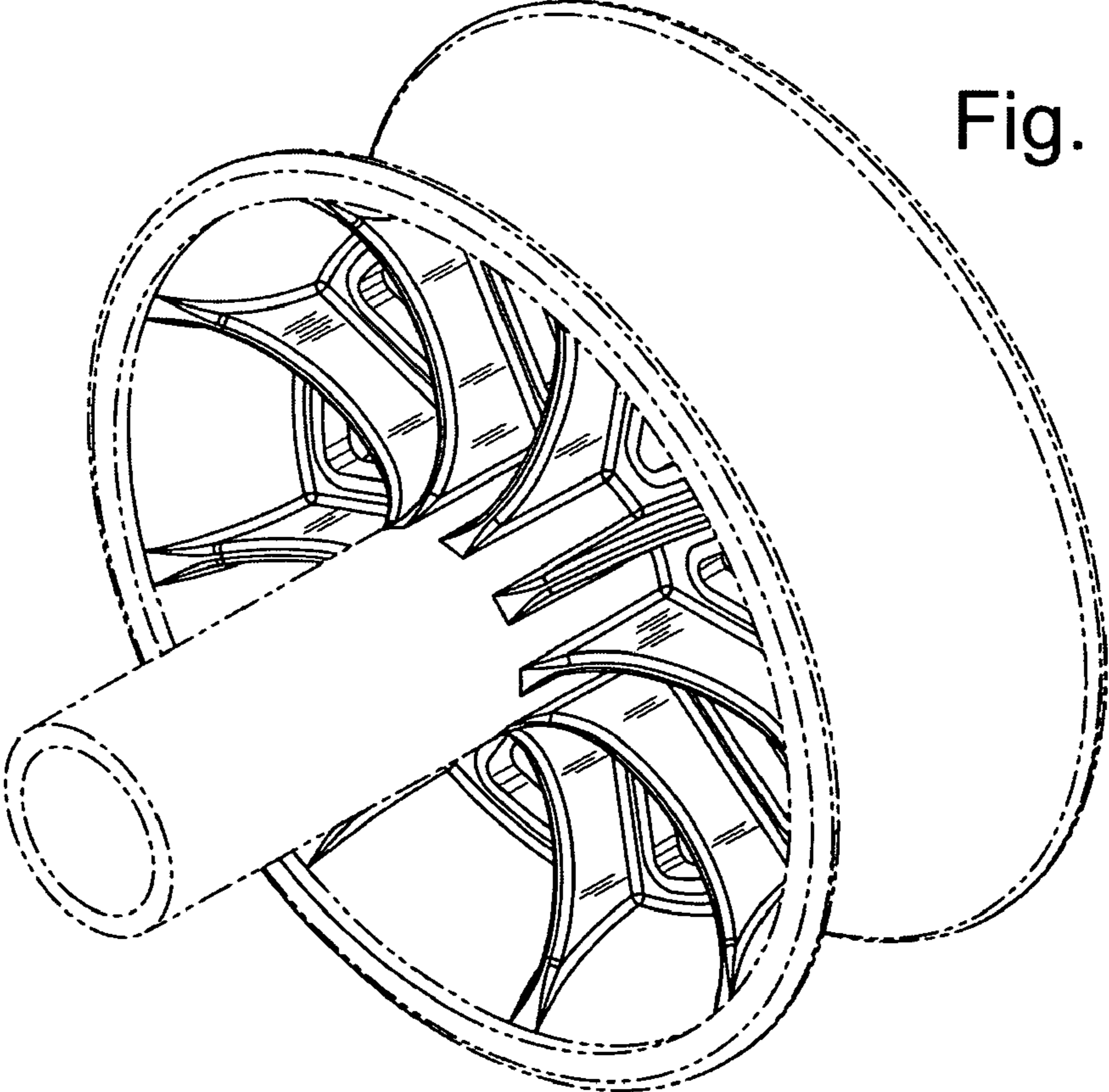


Fig. 3

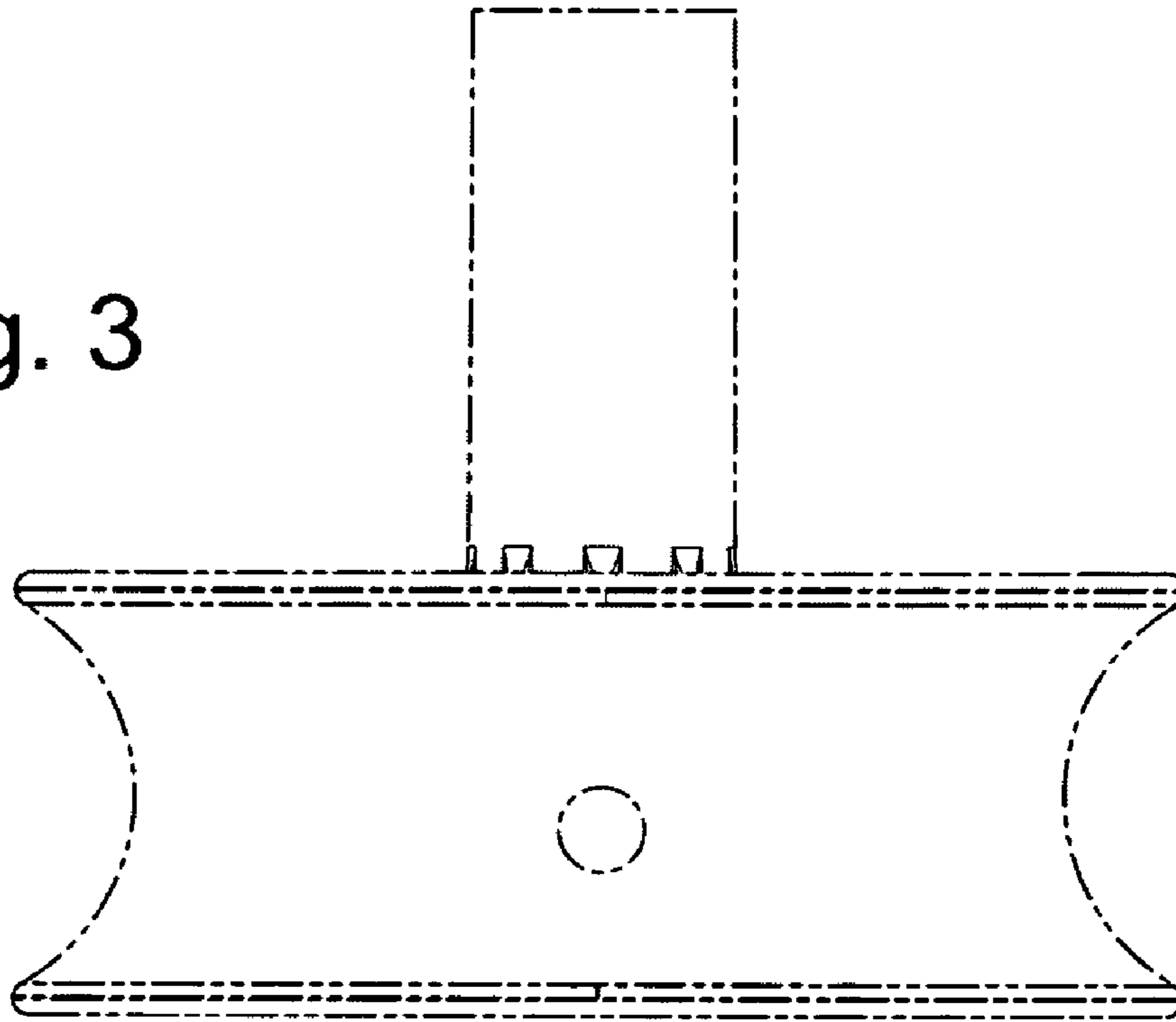


Fig. 4

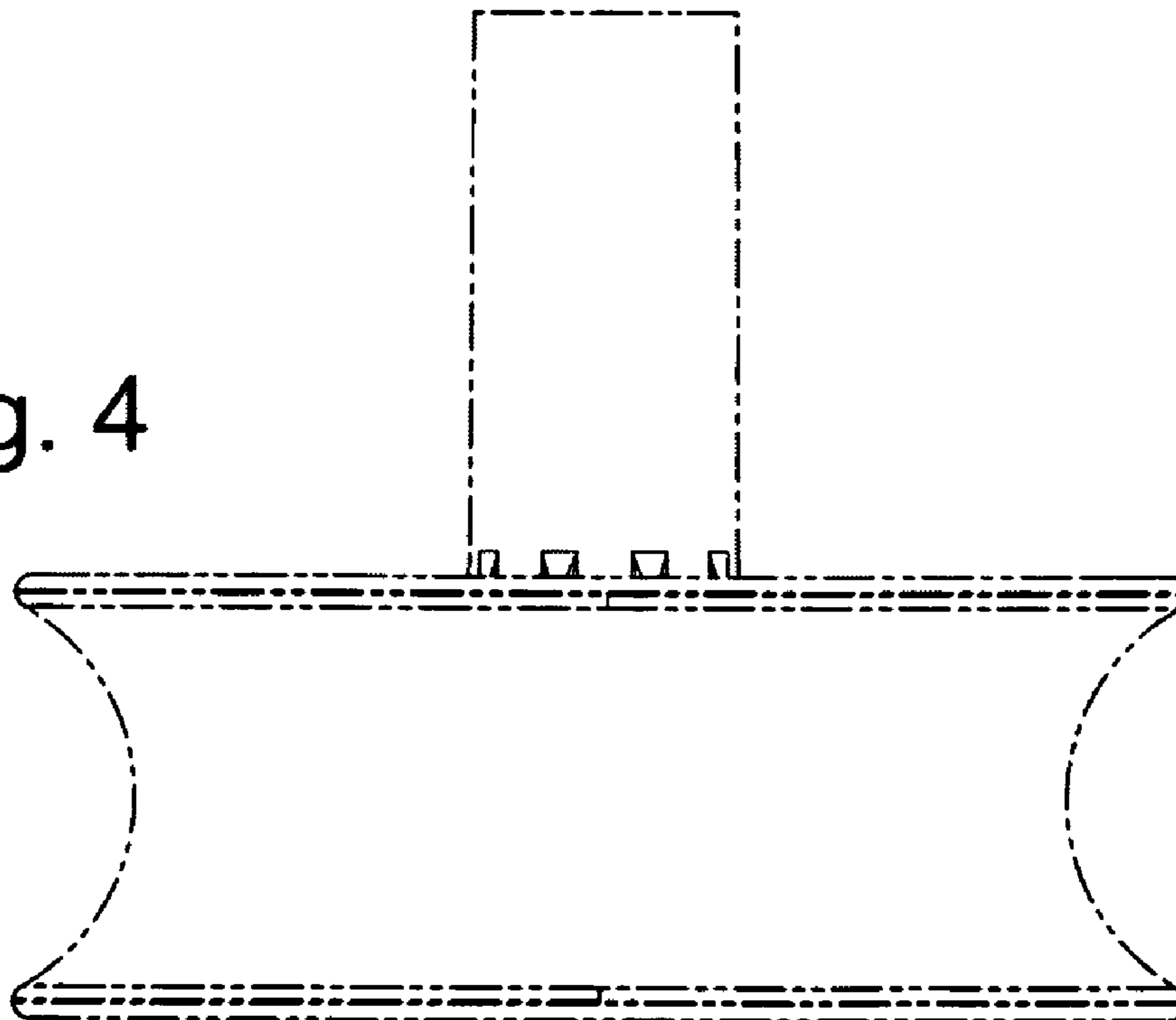


Fig. 5

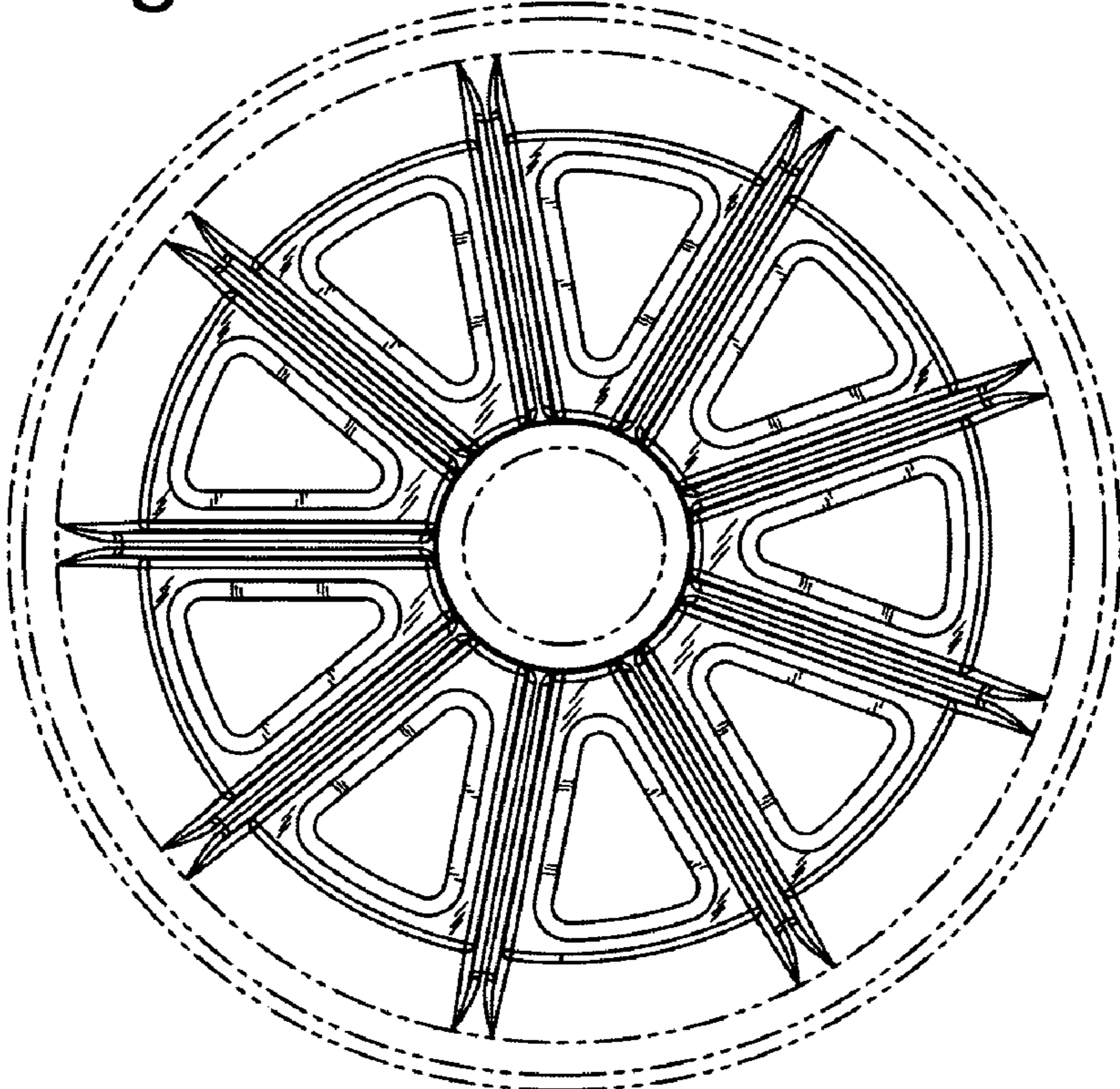


Fig. 6

