



US00D625064S

(12) **United States Design Patent**
Lee

(10) **Patent No.:** **US D625,064 S**
(45) **Date of Patent:** **** Oct. 5, 2010**

(54) **COMBINED HANDLE AND SCRAPER-BLADE ASSEMBLY**

D532,741 S * 11/2006 Lin D12/220
D557,333 S * 12/2007 Giannola D18/56

(76) Inventor: **Pil Hee Lee**, 48-4 Naechu-ri
Bugi-myeon, Cheongwon-gun,
Chungcheongbuk-do 363-922 (KR)

* cited by examiner

Primary Examiner—Cynthia E Ramirez
(74) *Attorney, Agent, or Firm*—The Farrell Law Firm, LLP

(**) Term: **14 Years**

(57) **CLAIM**

(21) Appl. No.: **29/350,292**

The ornamental design for a combined handle and scraper-blade assembly, as shown and described.

(22) Filed: **Nov. 13, 2009**

(51) **LOC (9) Cl.** **04-01**

DESCRIPTION

(52) **U.S. Cl.** **D32/42; D32/41**

FIG. 1 is a perspective view of a combined handle and scraper-blade assembly showing my new design;

(58) **Field of Classification Search** D32/40,

D32/41, 42, 46; D8/45; 15/121, 236.01,
15/236.02, 245, 245.1, 236.08

FIG. 2 is a front view thereof;

See application file for complete search history.

FIG. 3 is a rear view thereof;

(56) **References Cited**

U.S. PATENT DOCUMENTS

- 1,517,864 A * 12/1924 Runk 15/210.1
- D162,156 S * 2/1951 Green D4/122
- 3,117,334 A * 1/1964 Imhof 15/210.1
- D198,900 S * 8/1964 Trombley D4/120
- 3,373,457 A * 3/1968 Rouch, Jr. 15/104.002
- D214,977 S * 8/1969 Roth D4/137
- D388,569 S * 12/1997 Israel D32/41
- D422,124 S * 3/2000 Rimback D32/41

FIG. 4 is a left side view thereof;

FIG. 5 is a right side view thereof;

FIG. 6 is a top plan view thereof;

FIG. 7 is a bottom plan view thereof;

FIG. 8 is a cross-section through plane 'A' in FIG. 2;

FIG. 9 is a cross-section through plane 'B' in FIG. 4; and,

FIG. 10 is an exploded perspective view thereof.

1 Claim, 10 Drawing Sheets

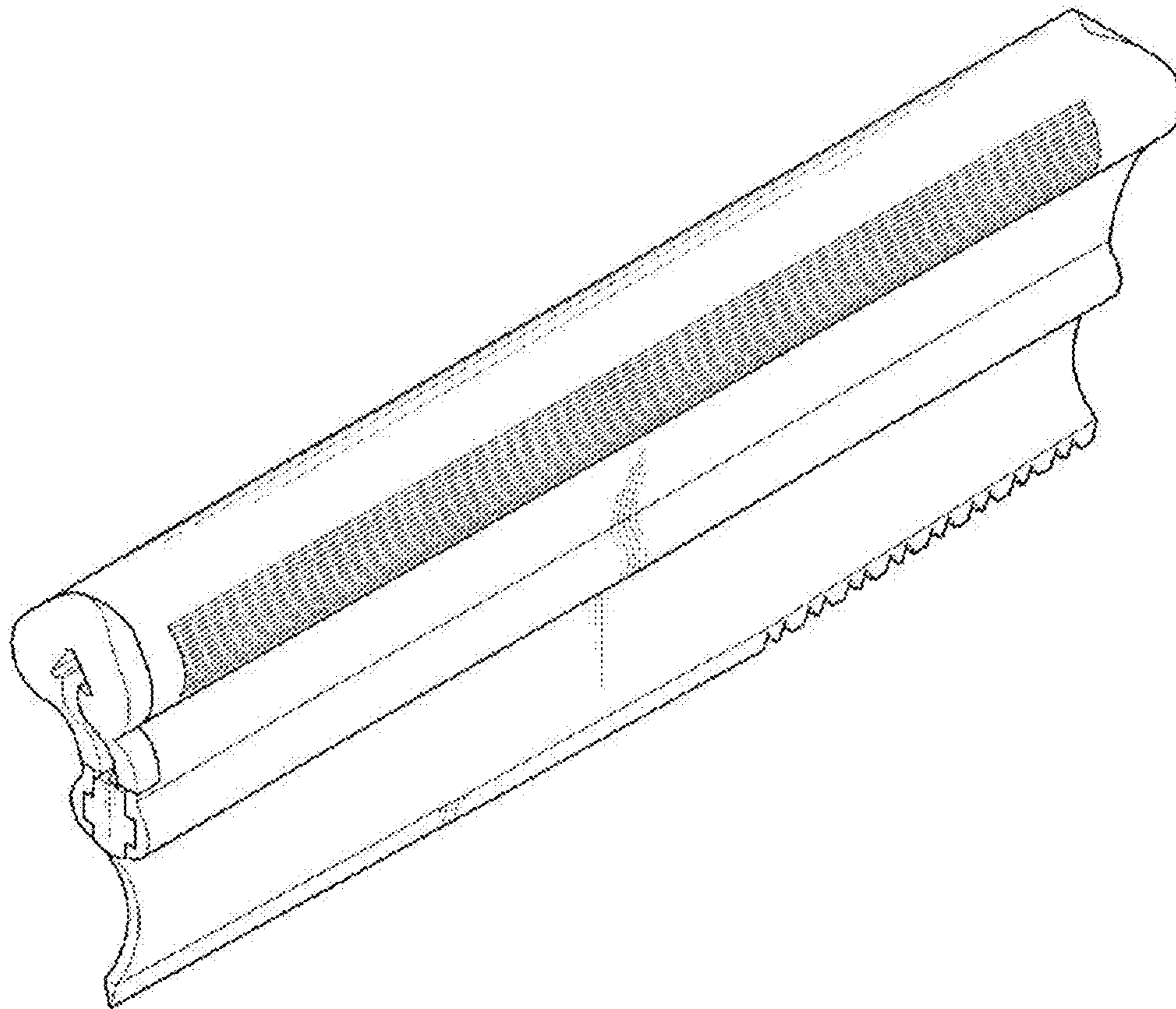


FIG. 1

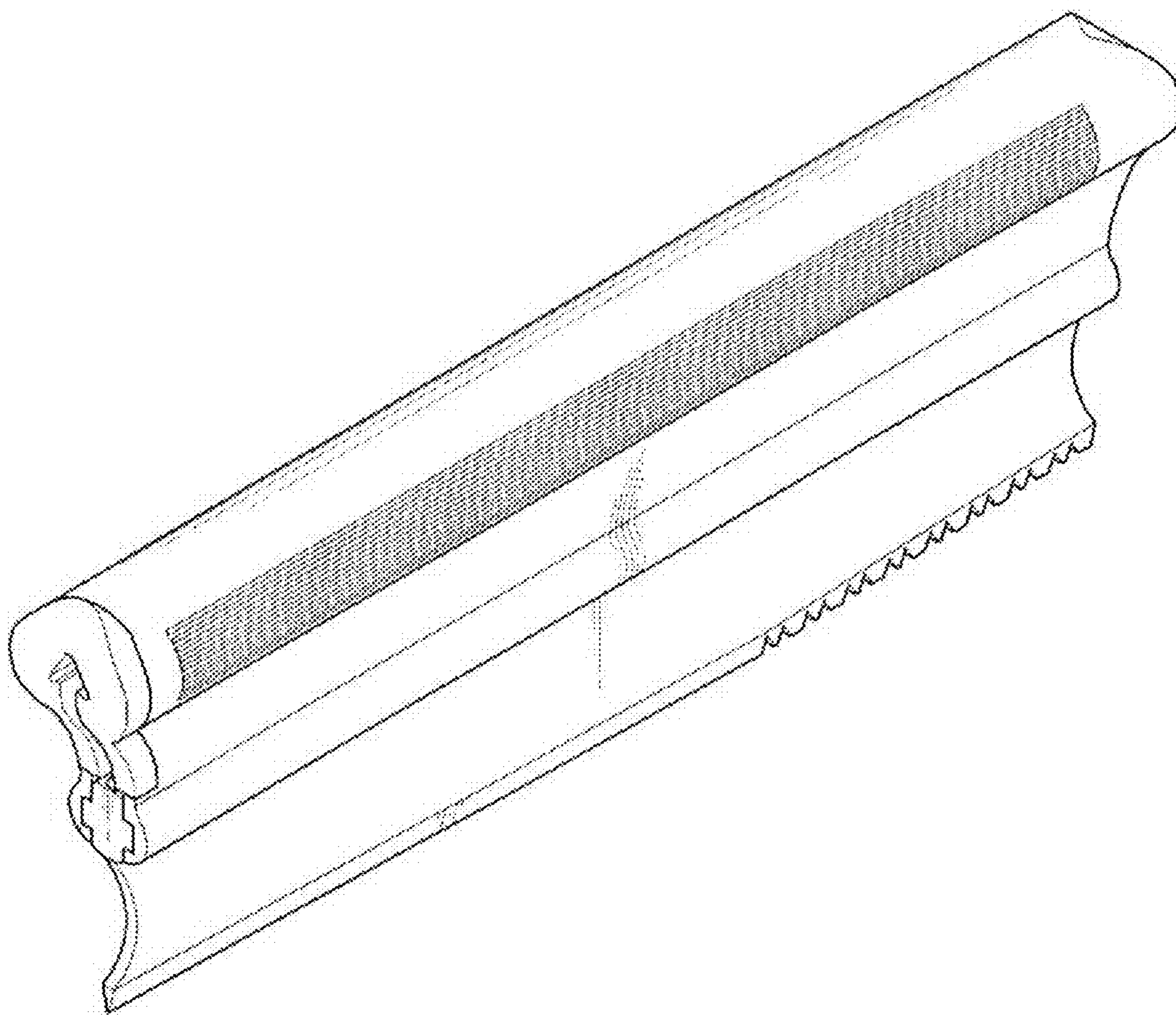


FIG. 2

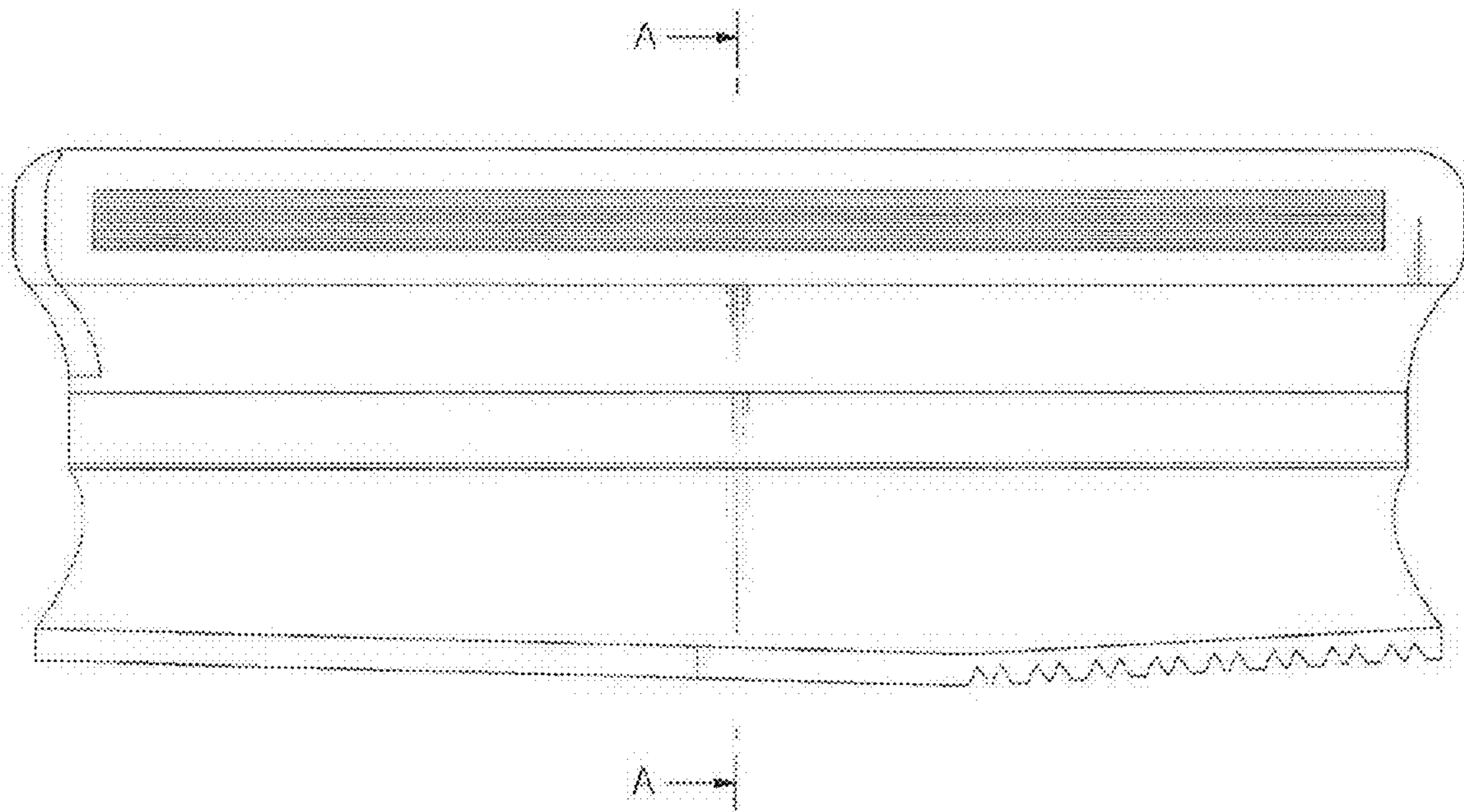


FIG. 3

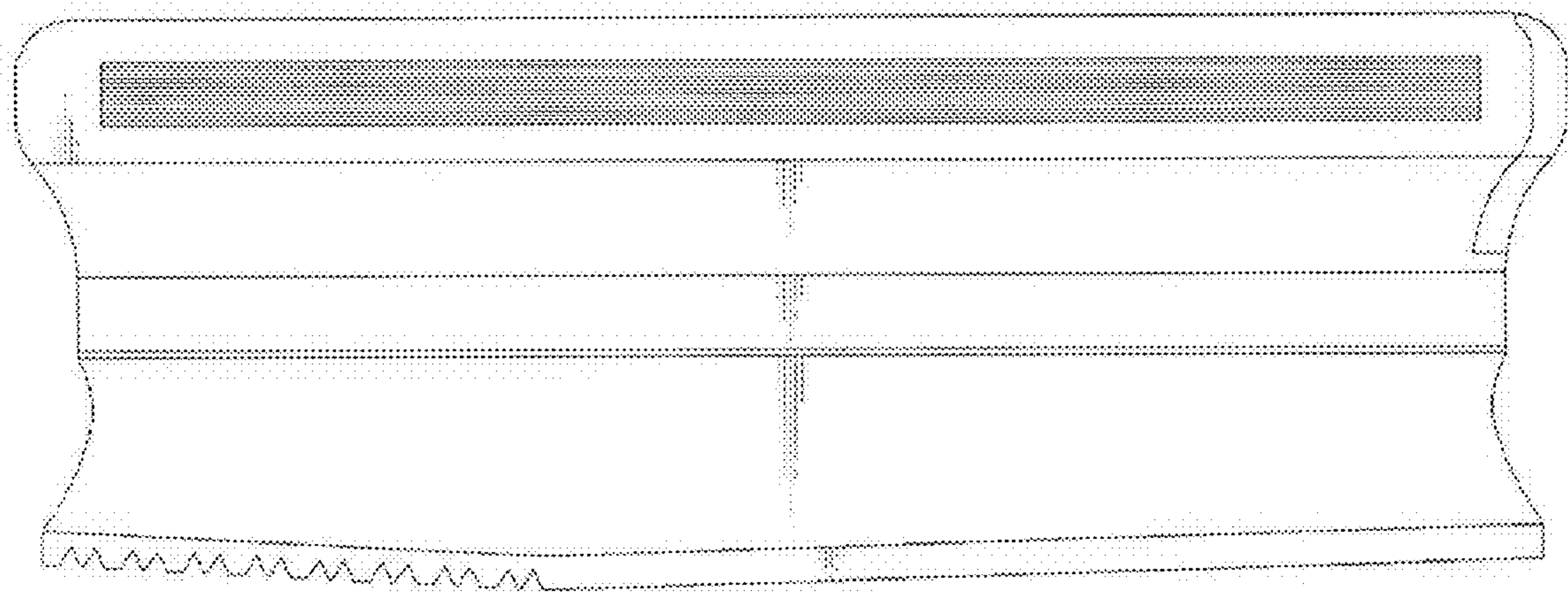


FIG. 4

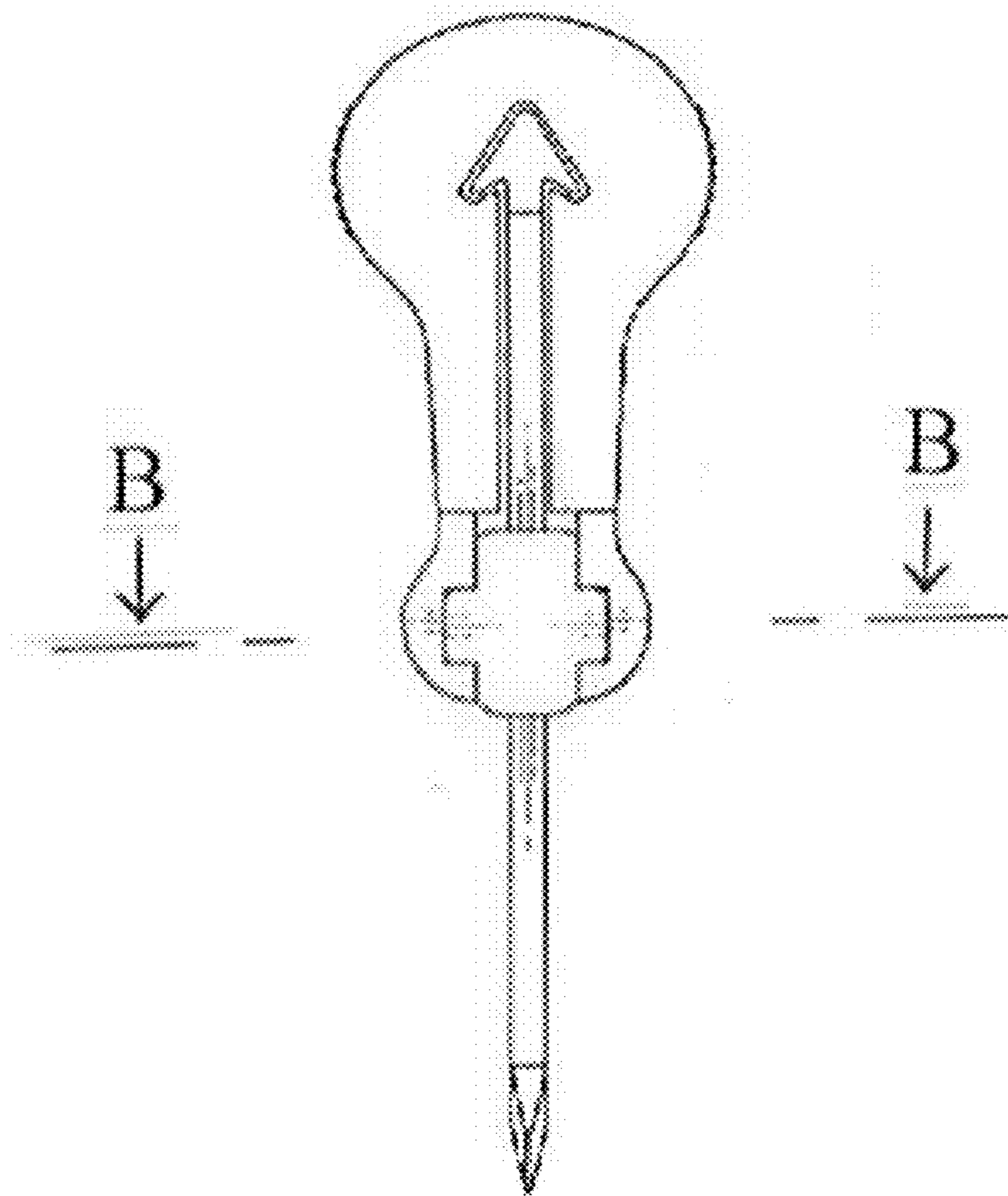


FIG. 5

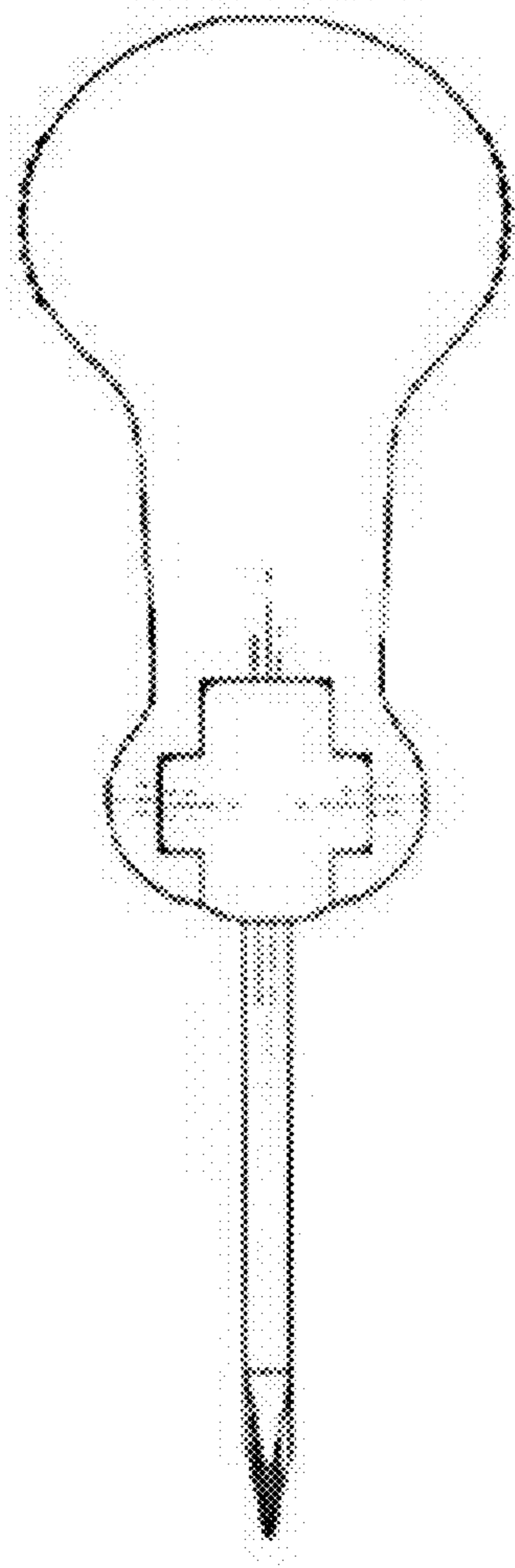


FIG. 6

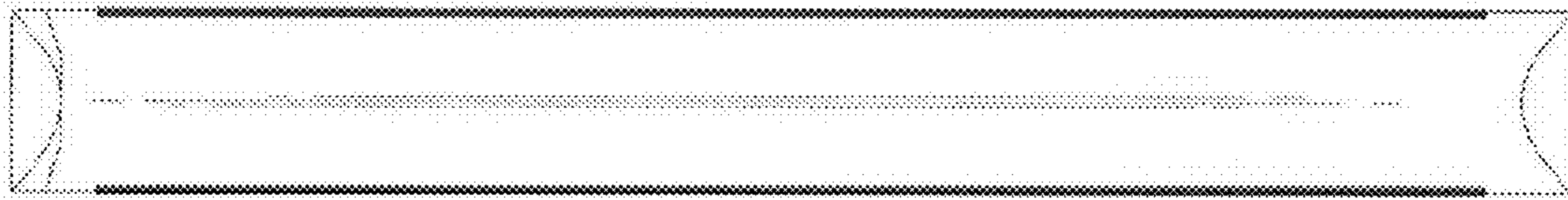


FIG. 7

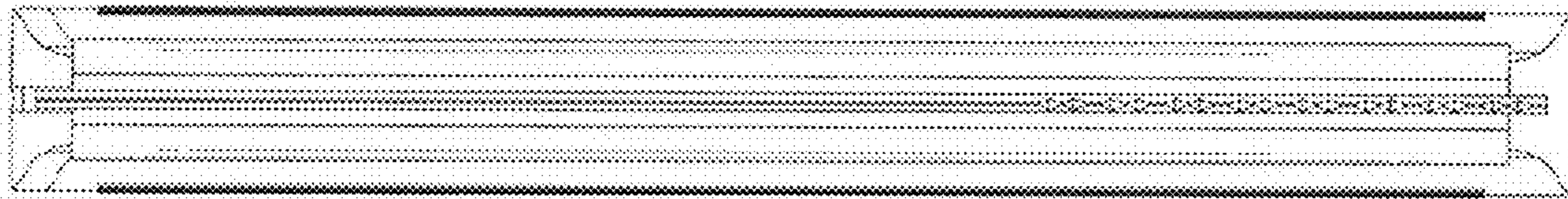


FIG. 8

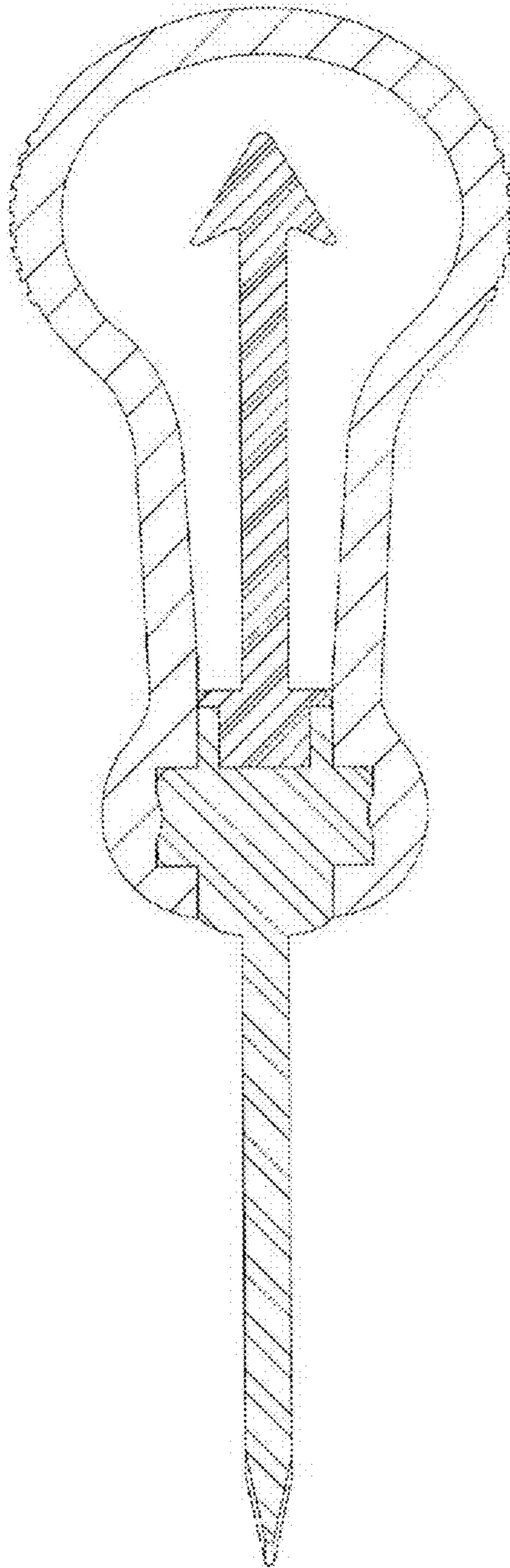


FIG. 9

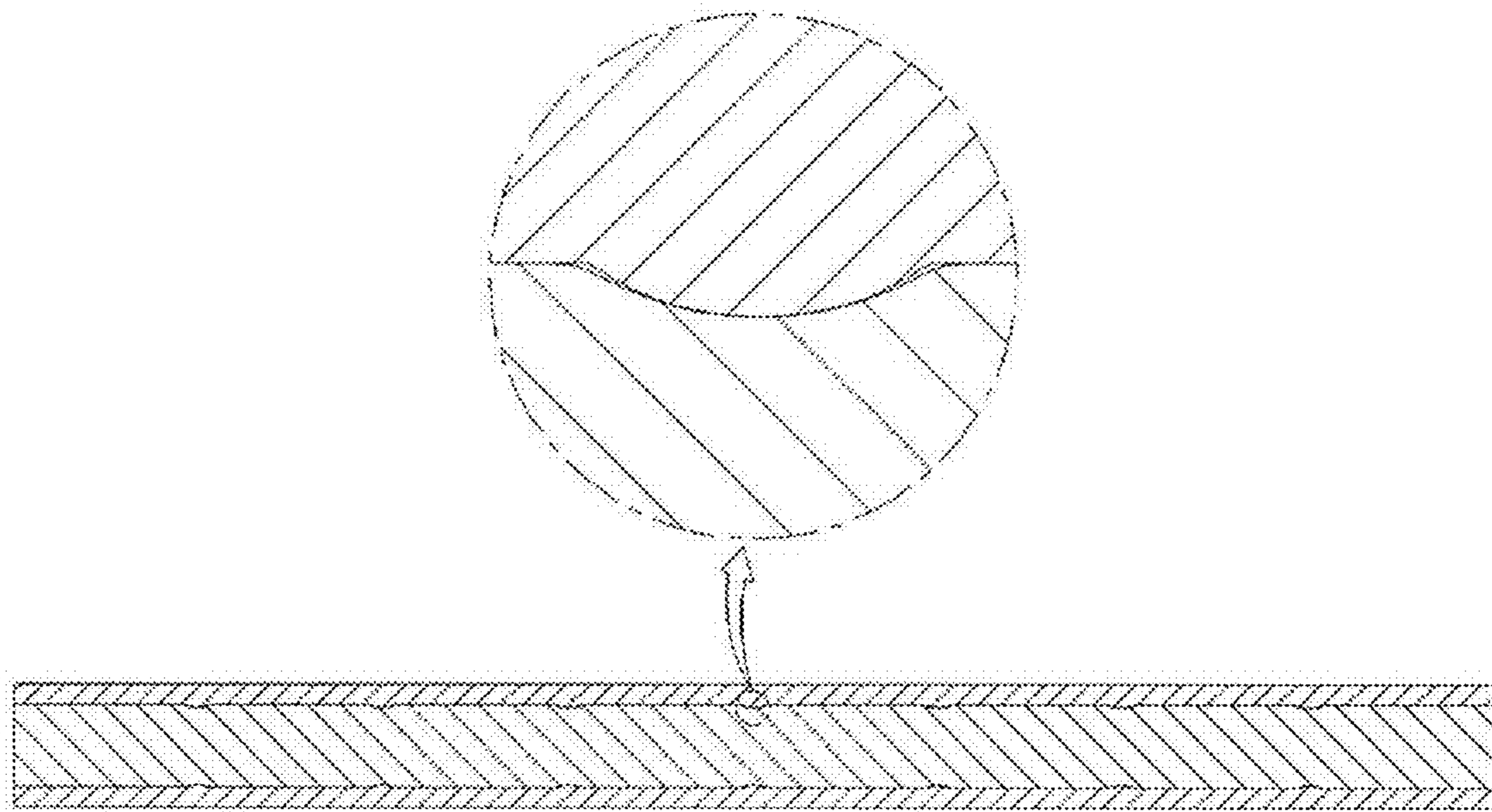


FIG. 10

