



US00D625062S

(12) **United States Design Patent**  
**Morenstein et al.**

(10) **Patent No.:** **US D625,062 S**

(45) **Date of Patent:** **\*\* Oct. 5, 2010**

(54) **CLEANING PAD ASSEMBLY**

(75) Inventors: **Josh Morenstein**, San Francisco, CA (US); **Yves Behar**, San Francisco, CA (US); **Christopher Hibmacronan**, Oakland, CA (US); **Seth Murray**, Oakland, CA (US); **Paolo Pirjanian**, Glendale, CA (US); **Mike Dooley**, Pasadena, CA (US)

(73) Assignee: **Evolution Robotics**, Pasadena, CA (US)

(\*\*) Term: **14 Years**

(21) Appl. No.: **29/353,303**

(22) Filed: **Jan. 6, 2010**

(51) **LOC (9) Cl.** ..... **15-05**

(52) **U.S. Cl.** ..... **D32/31**

(58) **Field of Classification Search** ..... 414/225.01,  
414/226.01, 30, 40; 901/33, 30, 40; D32/21,  
D32/23, 31-33, 50; 15/319, 415.1, 414;  
701/2, 23; 700/245

See application file for complete search history.

(56) **References Cited**

**U.S. PATENT DOCUMENTS**

D402,776 S *	12/1998	Carlson	.....	D32/50
D487,947 S *	3/2004	Pecci et al.	.....	D32/32
D490,950 S *	6/2004	Pecci et al.	.....	D32/32
D490,952 S *	6/2004	Ajluni	.....	D32/50
D503,836 S *	4/2005	Hall et al.	.....	D32/50
D518,935 S *	4/2006	Leitch et al.	.....	D32/50

7,191,486 B1 *	3/2007	Michelson et al.	.....	15/228
D539,996 S *	4/2007	Owens	.....	D32/21
D548,411 S *	8/2007	Schroter	.....	D32/21
D551,815 S *	9/2007	Schroeter	.....	D32/21
7,293,322 B2 *	11/2007	Matousek et al.	.....	15/320
D574,565 S *	8/2008	Harper et al.	.....	D32/50
D585,612 S *	1/2009	Soller et al.	.....	D32/50
D588,770 S *	3/2009	Koenig et al.	.....	D32/50
D612,116 S *	3/2010	Nicholas	.....	D32/33
2010/0107358 A1 *	5/2010	Wibbling	.....	15/415.1

\* cited by examiner

*Primary Examiner*—Ruth McInroy

(74) *Attorney, Agent, or Firm*—Pillsbury Winthrop Shaw Pittman LLP

(57) **CLAIM**

The ornamental design for a cleaning pad assembly, as shown and described.

**DESCRIPTION**

FIG. 1 is a bottom, front and right-side perspective view of a cleaning pad assembly showing our new design;

FIG. 2 is a top plan view thereof;

FIG. 3 is a bottom plan view thereof;

FIG. 4 is a front elevation view thereof;

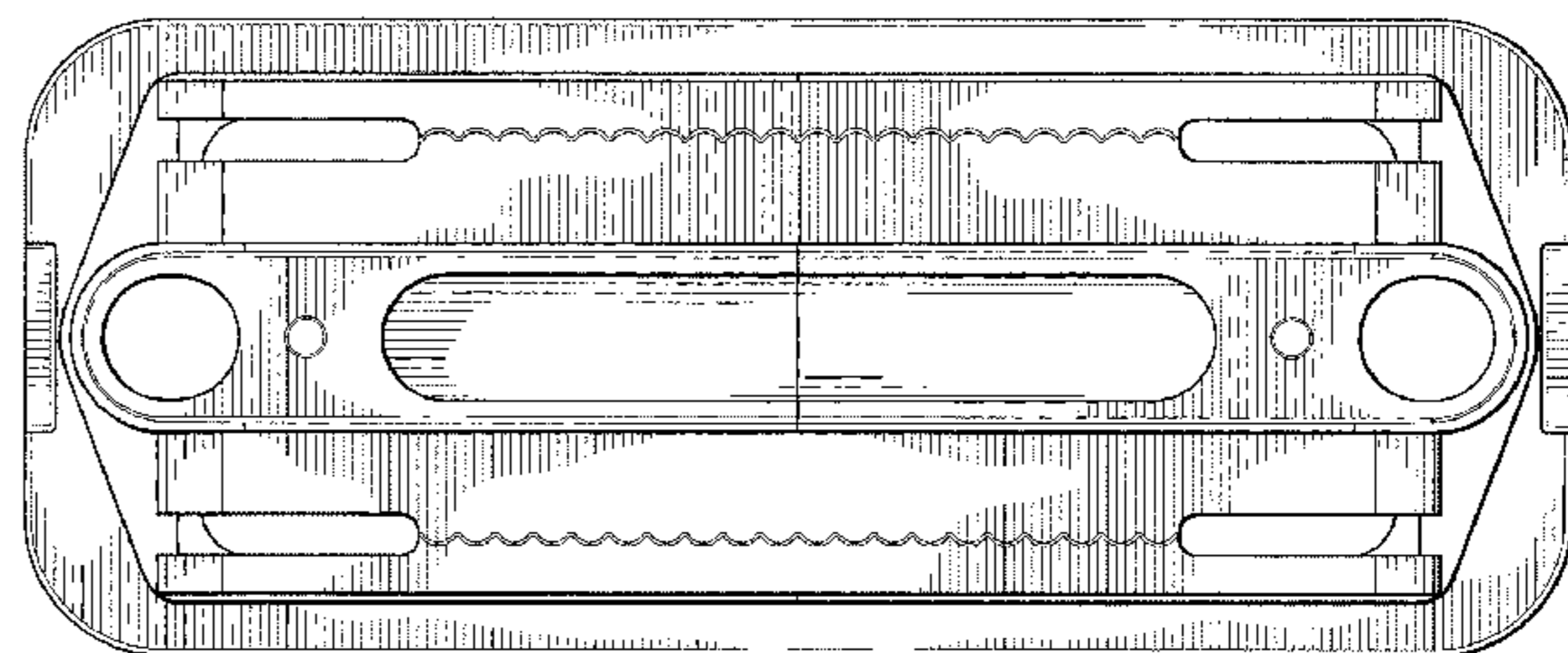
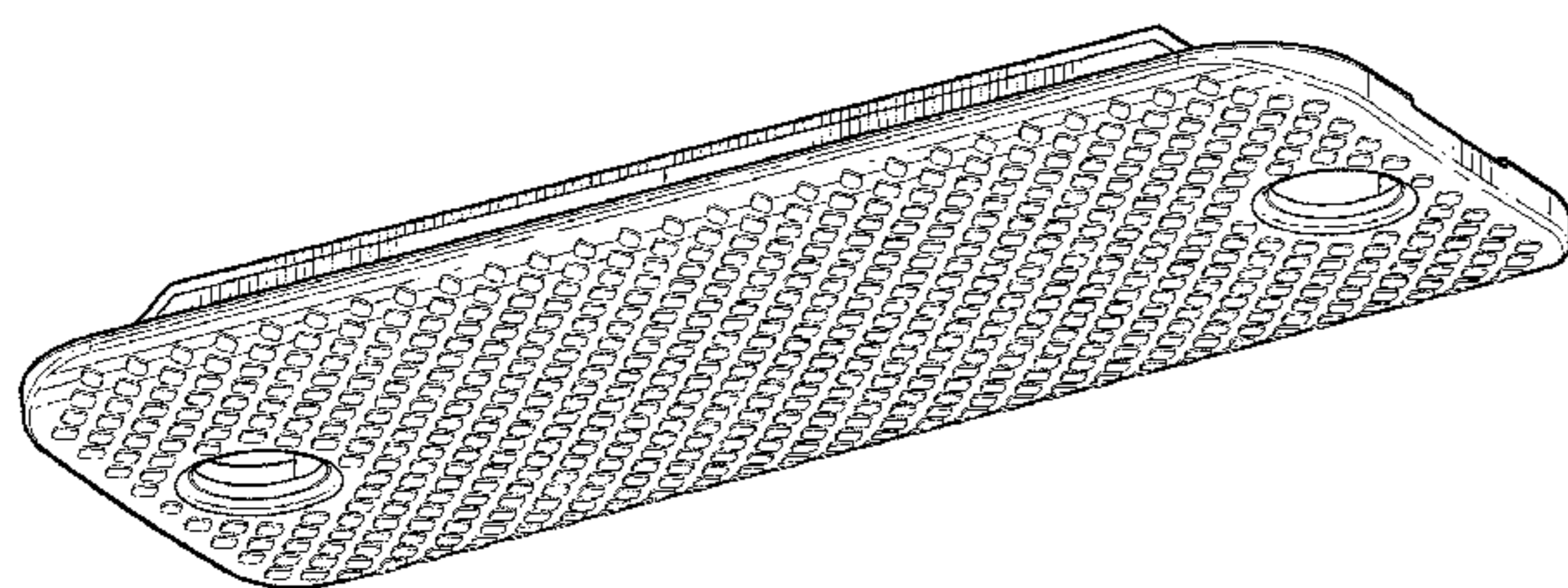
FIG. 5 is a rear elevation view thereof;

FIG. 6 is a right-side elevation view thereof;

FIG. 7 is a left side elevation view thereof; and,

FIG. 8 is a top, rear and left-side perspective view thereof.

**1 Claim, 4 Drawing Sheets**



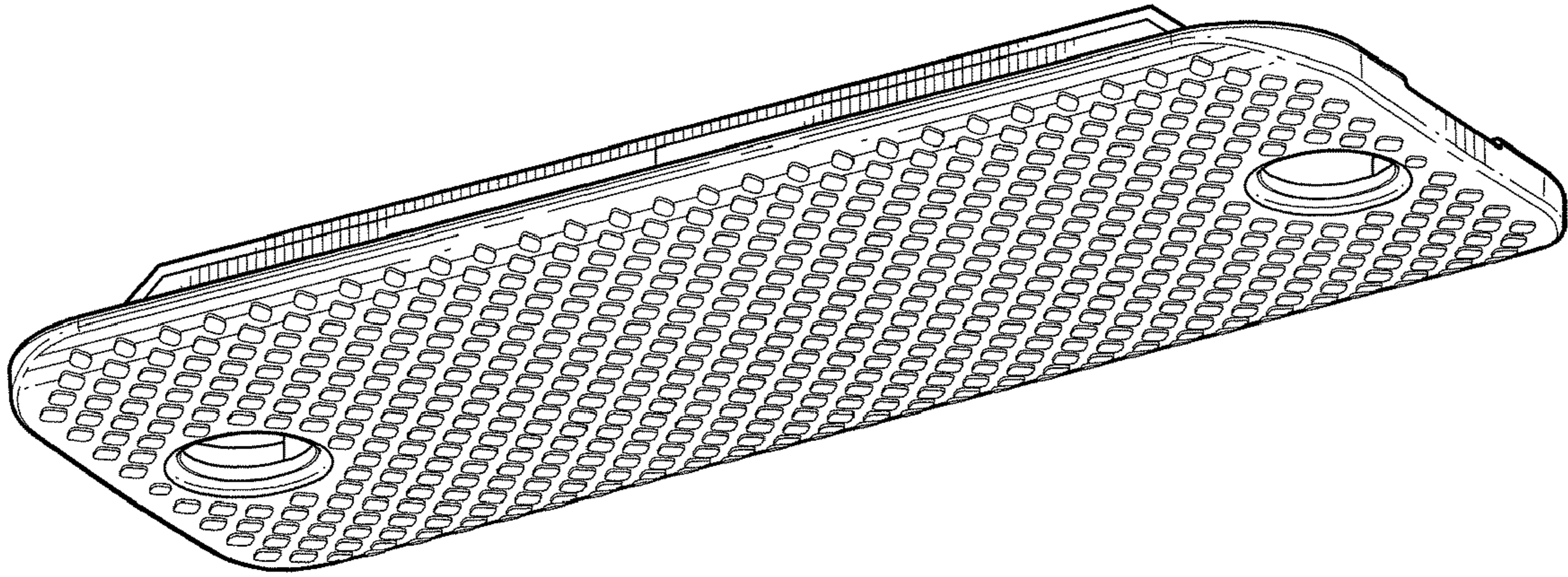


FIG. 1

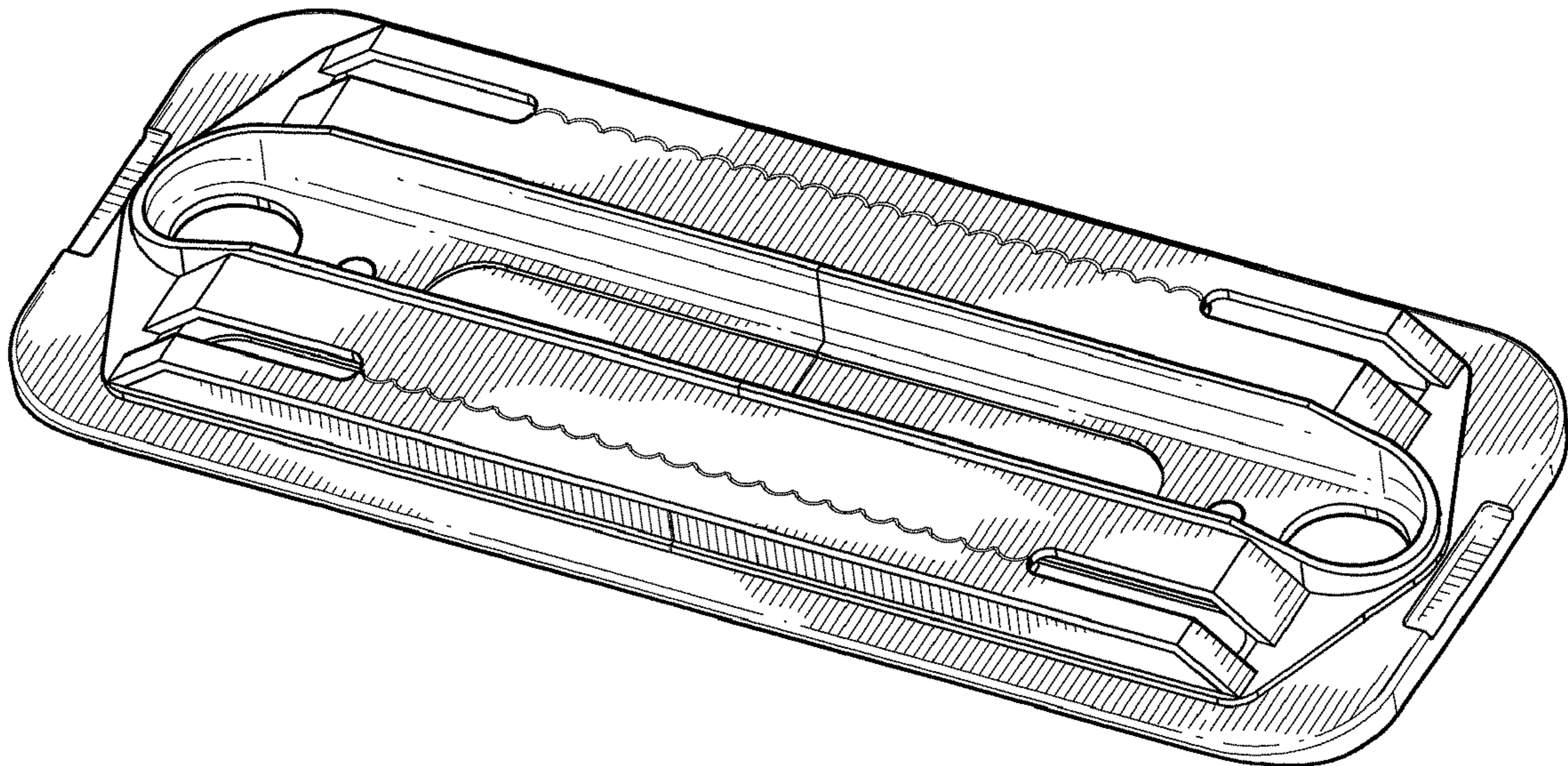


FIG. 8

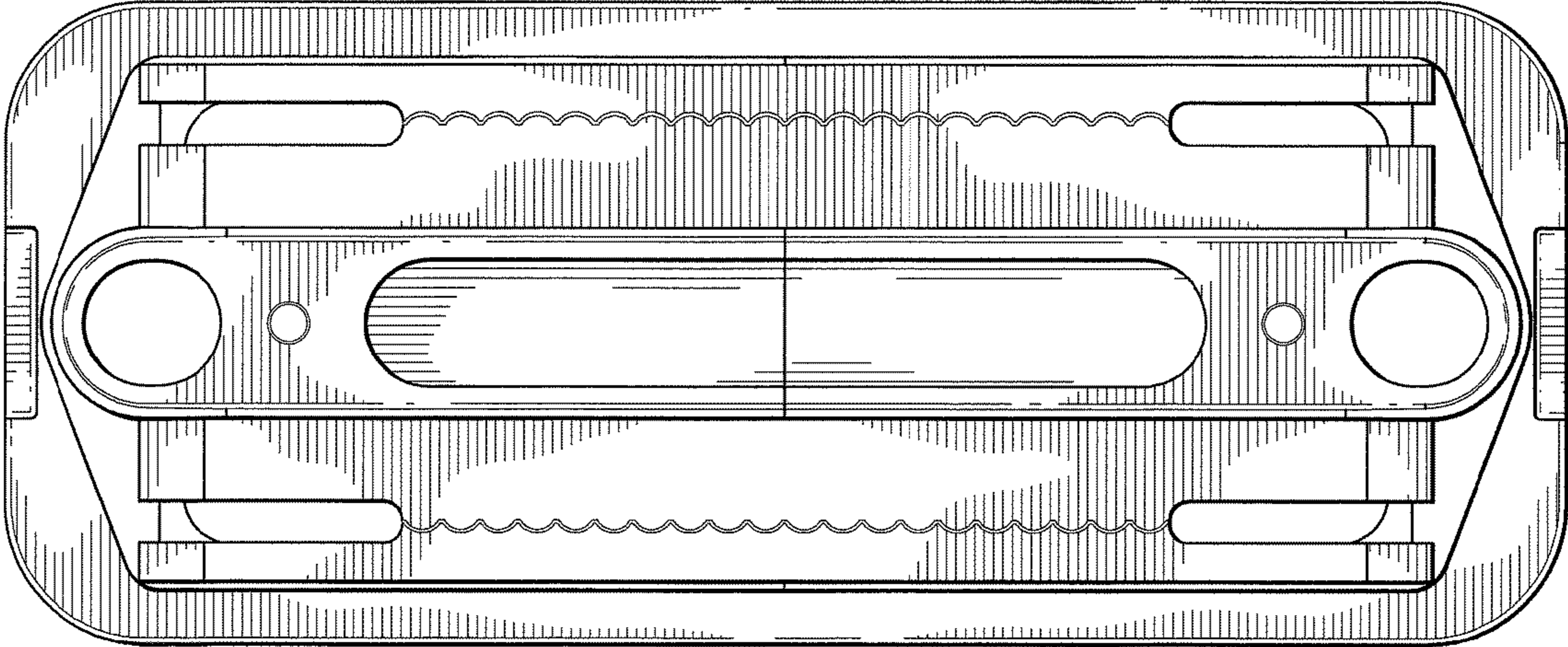


FIG. 2

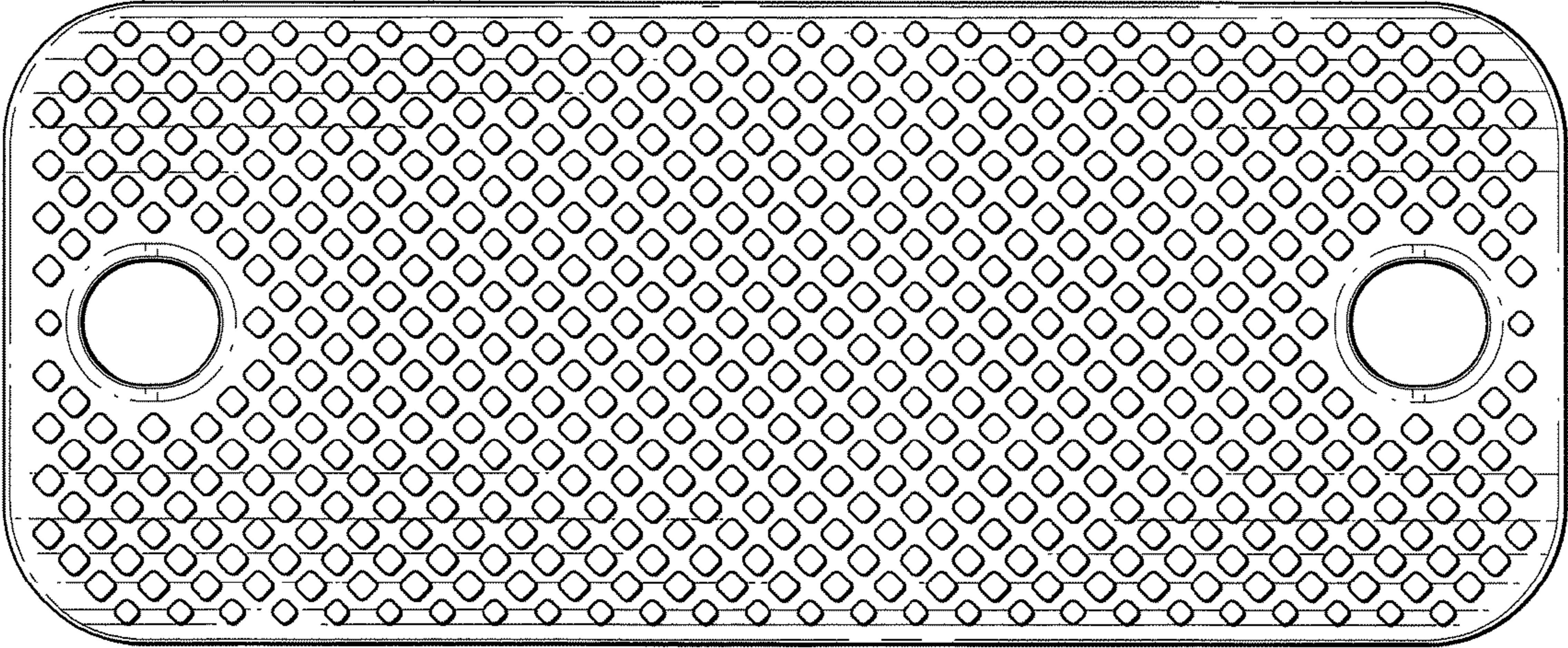


FIG. 3

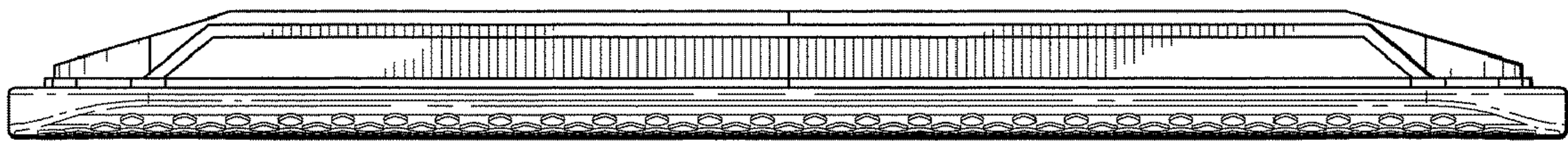


FIG. 4

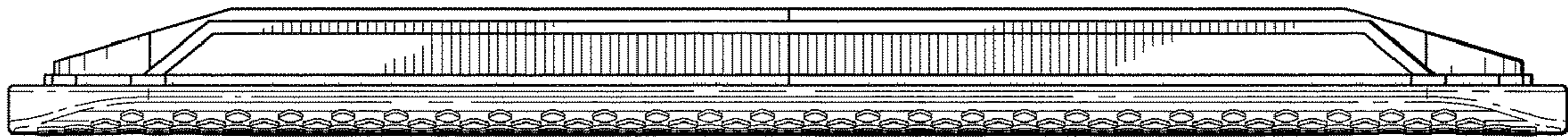


FIG. 5

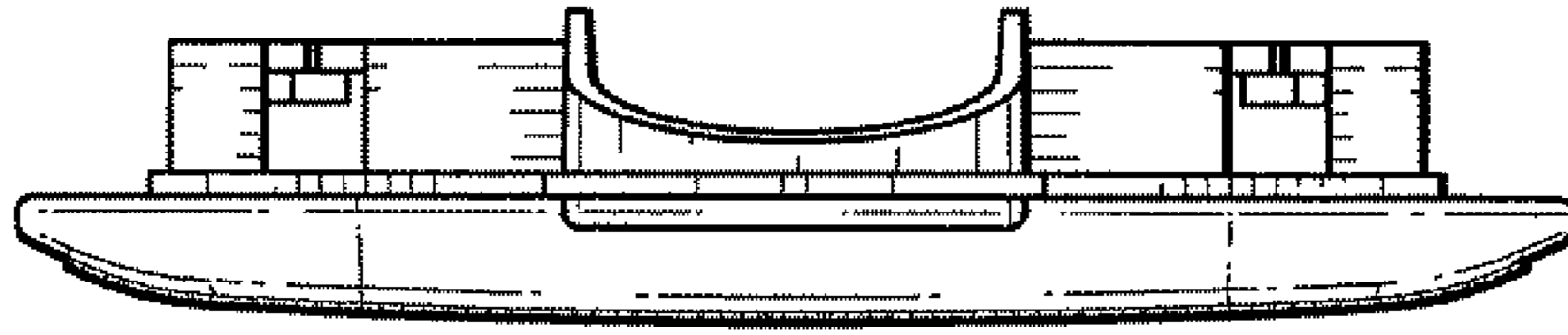


FIG. 6

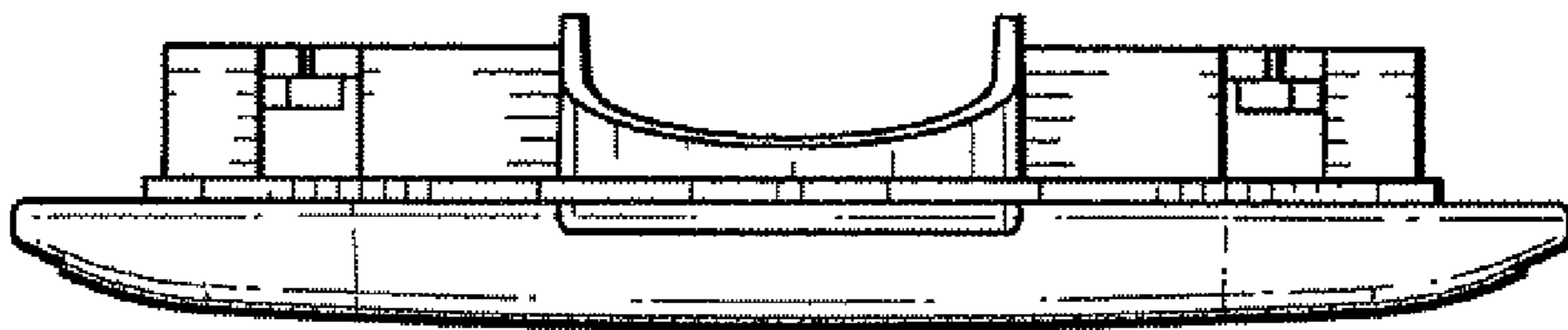


FIG. 7