



US00D625059S

(12) **United States Design Patent**
Morenstein et al.

(10) **Patent No.:** **US D625,059 S**
(45) **Date of Patent:** **** Oct. 5, 2010**

(54) **ROBOTIC CLEANER**

(75) Inventors: **Josh Morenstein**, San Francisco, CA (US); **Yves Behar**, San Francisco, CA (US); **Christopher Hibmacronan**, Oakland, CA (US); **Seth Murray**, Oakland, CA (US); **Paolo Pirjanian**, Glendale, CA (US); **Mike Dooley**, Pasadena, CA (US)

(73) Assignee: **Evolution Robotics**, Pasadena, CA (US)

(**) Term: **14 Years**

(21) Appl. No.: **29/353,282**

(22) Filed: **Jan. 6, 2010**

(51) **LOC (9) Cl.** **15-05**

(52) **U.S. Cl.** **D32/21**

(58) **Field of Classification Search** 414/225.01, 414/226.01, 30, 40; 901/33, 0.1, 30, 40; D32/21, 23, 31; 15/319; 701/2, 23; 700/245
See application file for complete search history.

(56) **References Cited**

U.S. PATENT DOCUMENTS

D503,251 S *	3/2005	Christianson	D32/21
D524,495 S *	7/2006	Ljunggren	D32/21
D526,753 S *	8/2006	Tani et al.	D32/21
D527,854 S *	9/2006	Marzynski	D32/21
D539,996 S *	4/2007	Owens	D32/21
D548,411 S *	8/2007	Schroter	D32/21
D548,902 S *	8/2007	Chun et al.	D32/21
D548,903 S *	8/2007	Chun et al.	D32/21
D551,815 S *	9/2007	Schroeter	D32/21
D556,961 S *	12/2007	Swyst et al.	D32/21

D593,265 S *	5/2009	Carr et al.	D32/21
D596,815 S *	7/2009	Baek	D32/21
2005/0229340 A1 *	10/2005	Sawalski et al.	15/50.3
2007/0061040 A1 *	3/2007	Augenbraun et al.	700/245
2008/0276407 A1 *	11/2008	Schnittman et al.	15/319
2009/0133720 A1 *	5/2009	Van Den Bogert	134/18

* cited by examiner

Primary Examiner—Ruth McInroy

(74) *Attorney, Agent, or Firm*—Pillsbury Winthrop Shaw Pittman LLP

(57) **CLAIM**

The ornamental design for a robotic cleaner, as shown and described.

DESCRIPTION

FIG. 1 is a rear elevation view of a robotic cleaner showing our new design;

FIG. 2 is a top plan view thereof;

FIG. 3 is a front elevation view thereof;

FIG. 4 is a left side elevation view thereof;

FIG. 5 is a right side elevation view thereof;

FIG. 6 is a bottom plan view thereof;

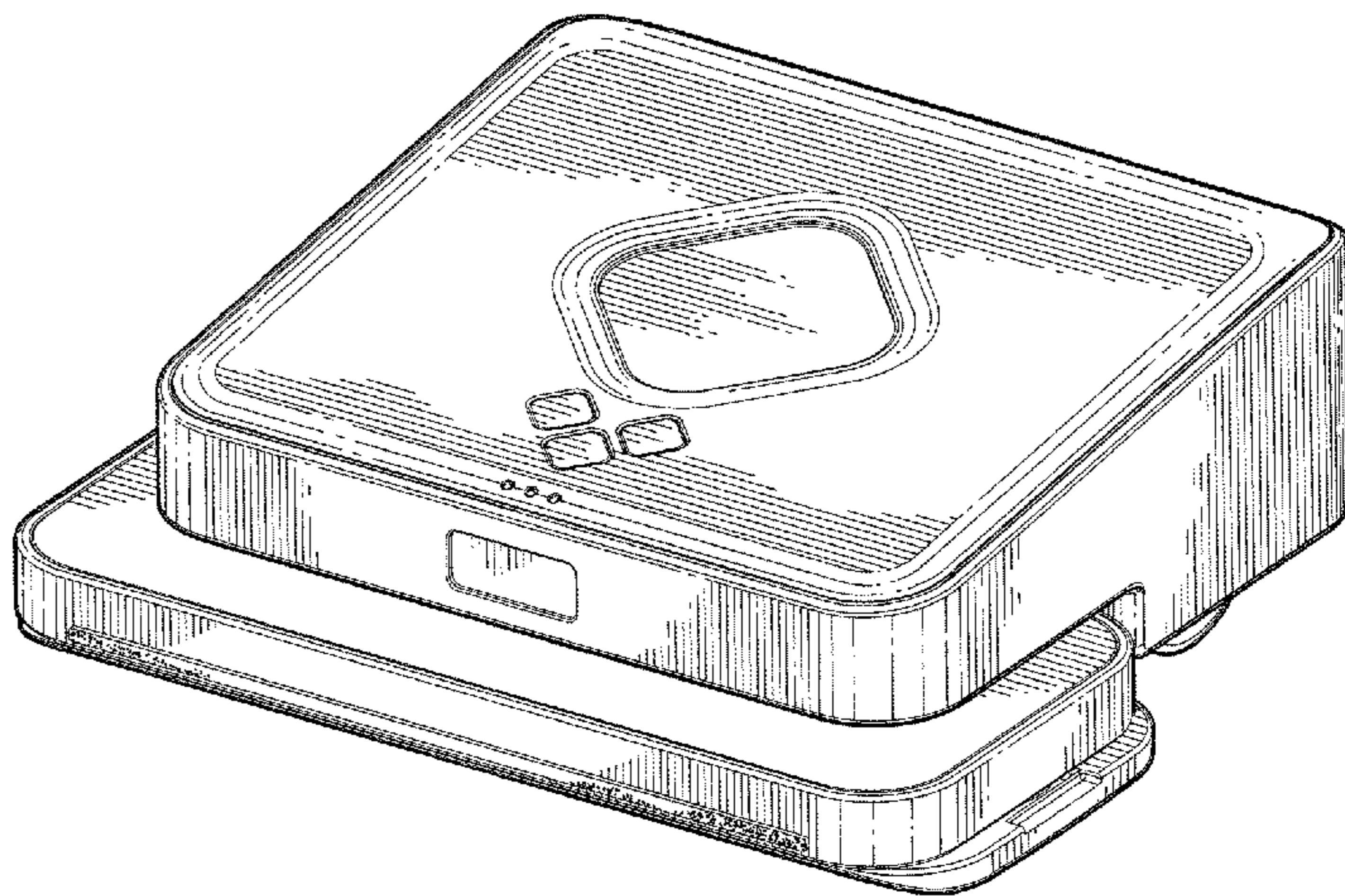
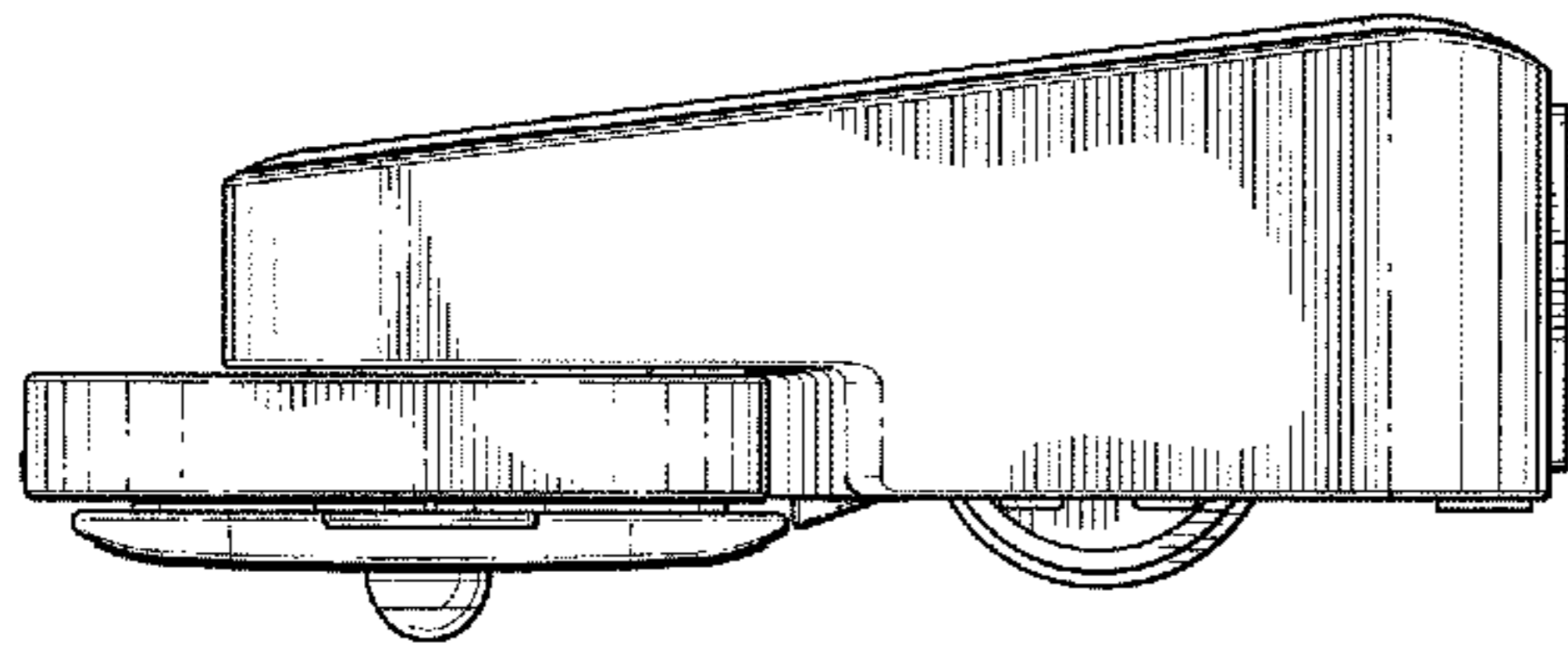
FIG. 7 is top, front and right-side perspective view thereof;

FIG. 8 is a bottom, front and right-side perspective view thereof;

FIG. 9 is a bottom, rear and left-side perspective view thereof; and,

FIG. 10 is a top, rear and right-side perspective view thereof.

1 Claim, 4 Drawing Sheets



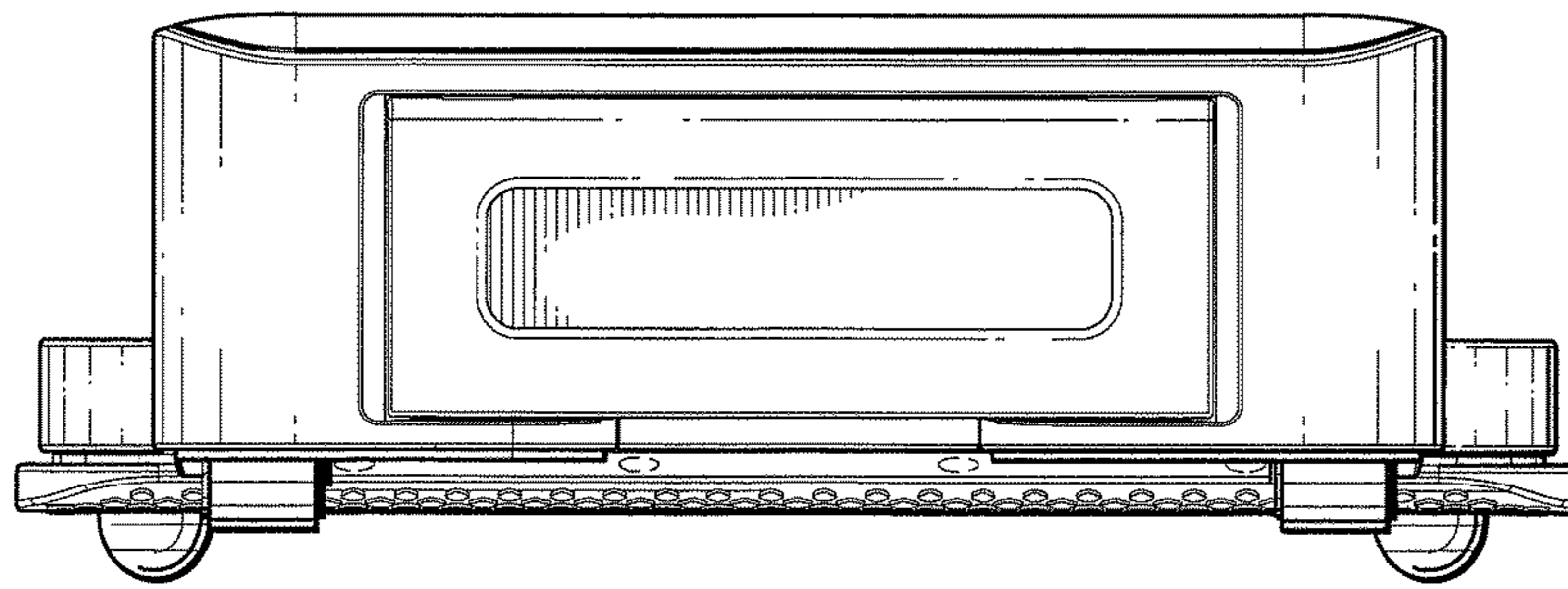


FIG. 1

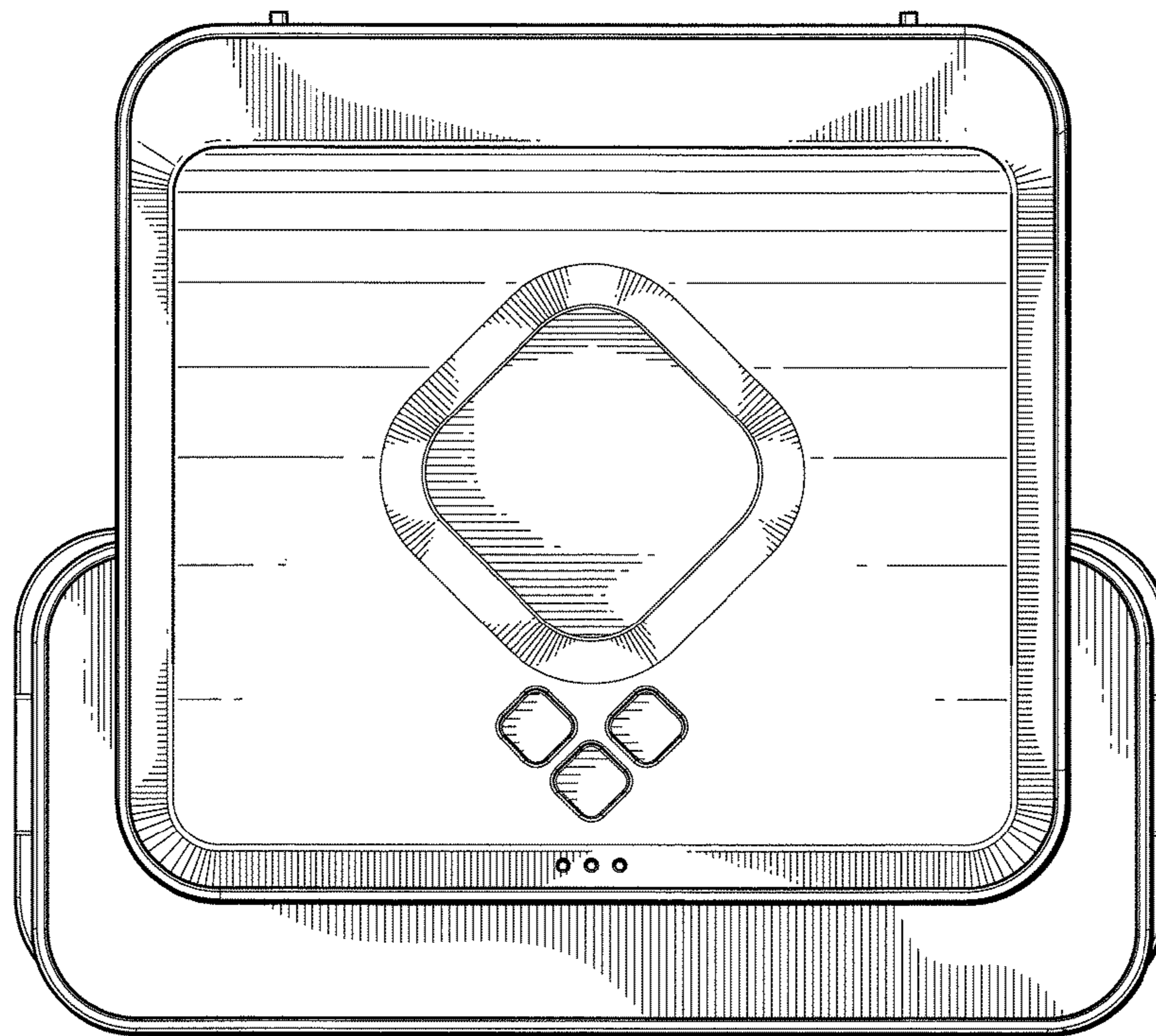


FIG. 2

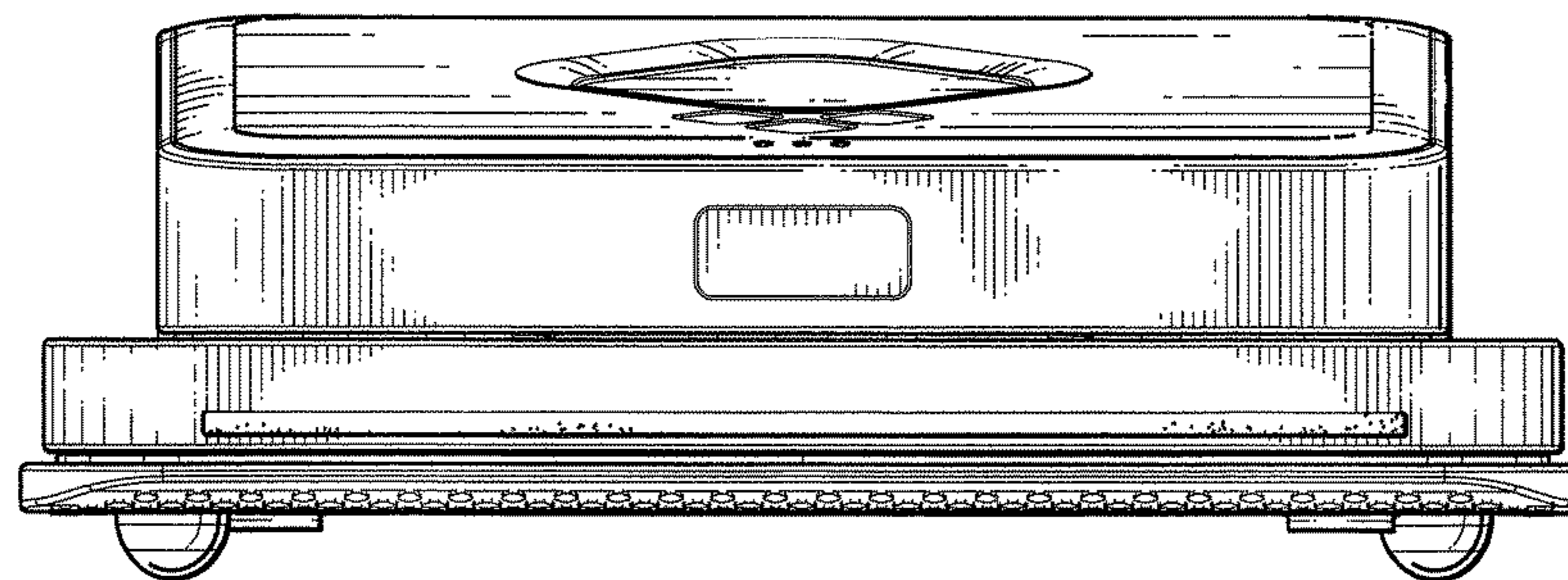


FIG. 3

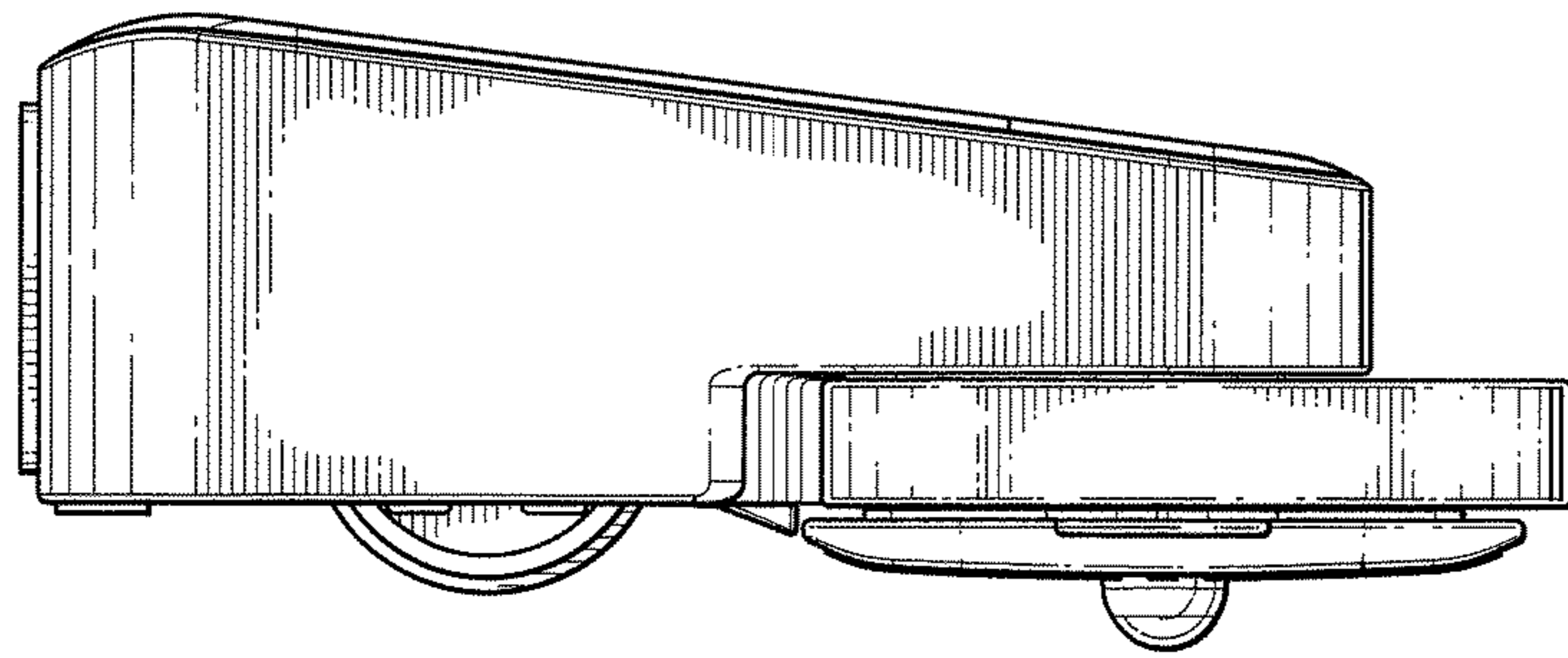


FIG. 4

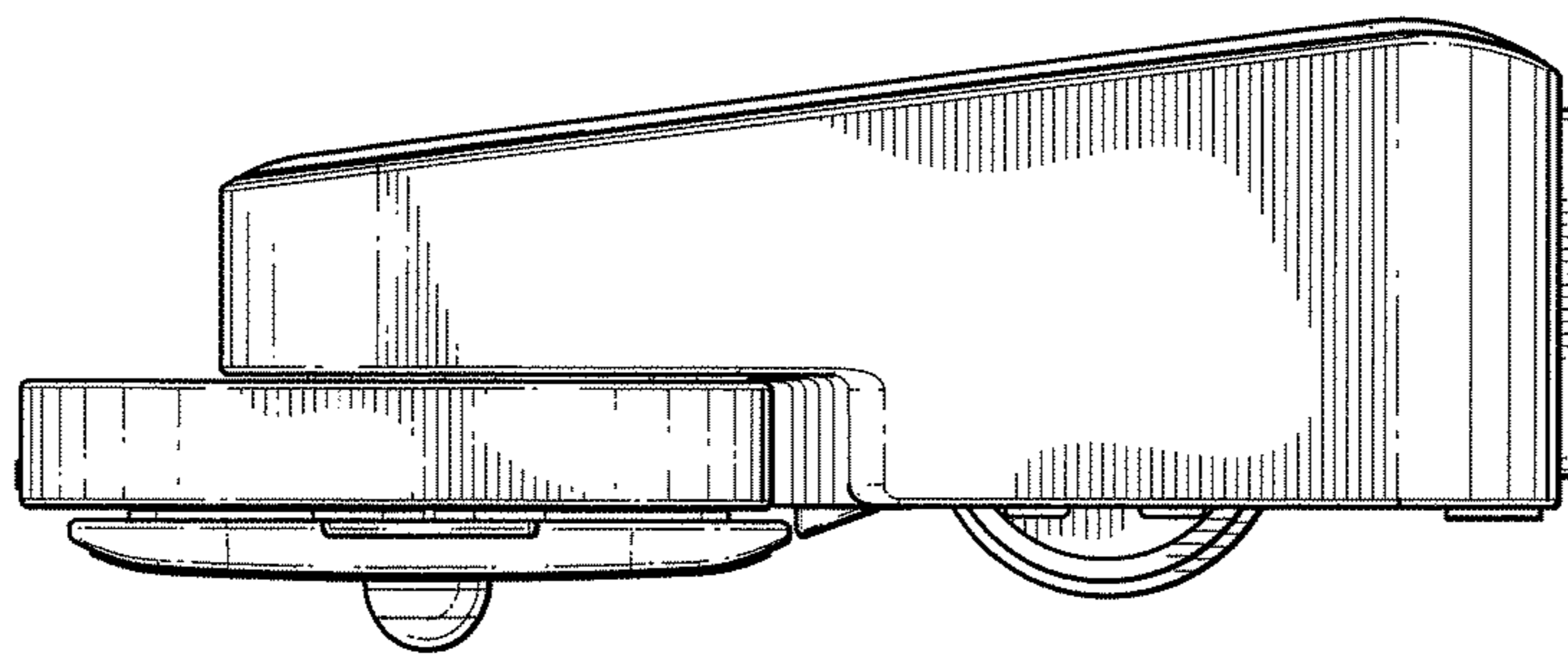


FIG. 5

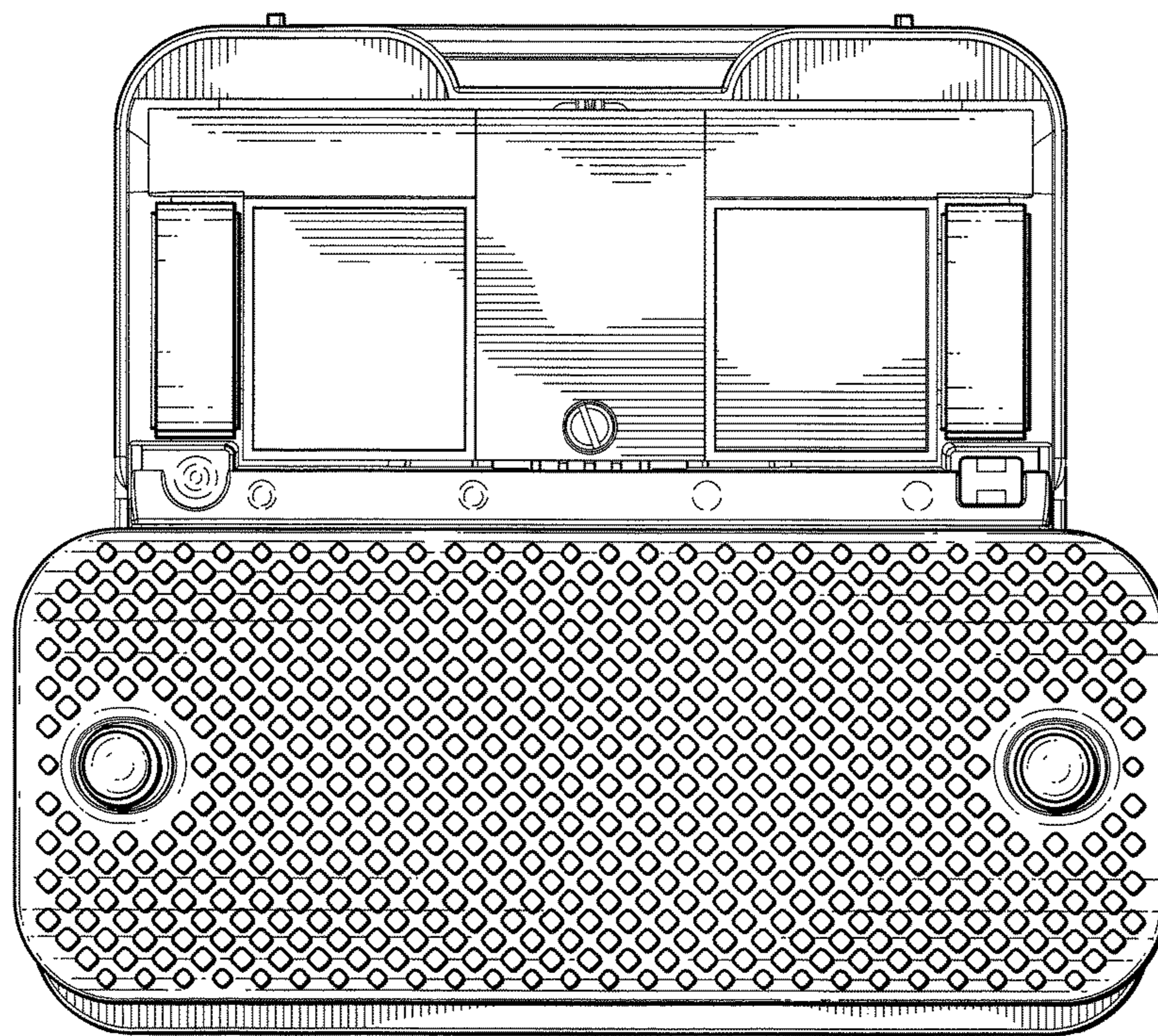


FIG. 6

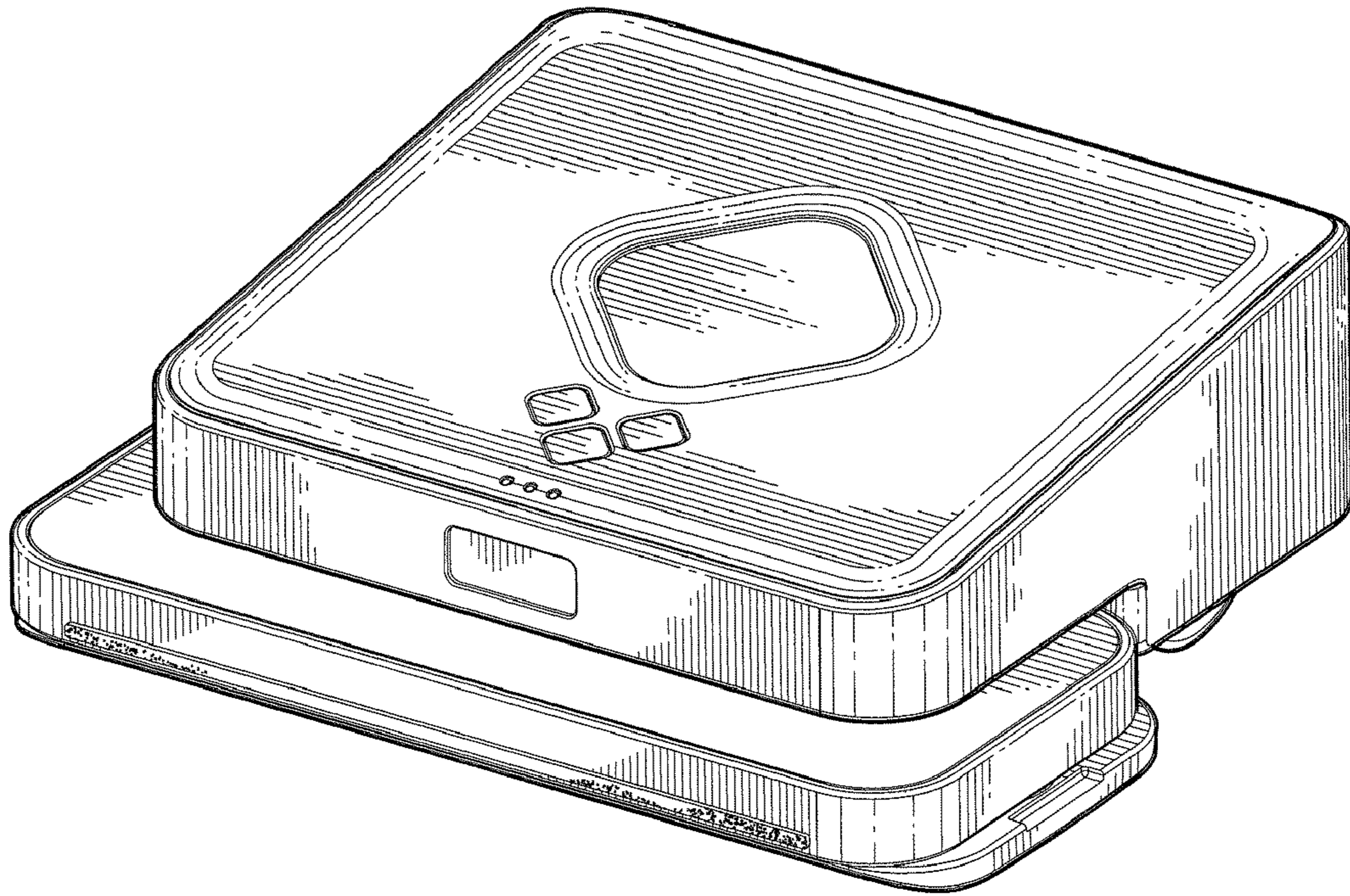


FIG. 7

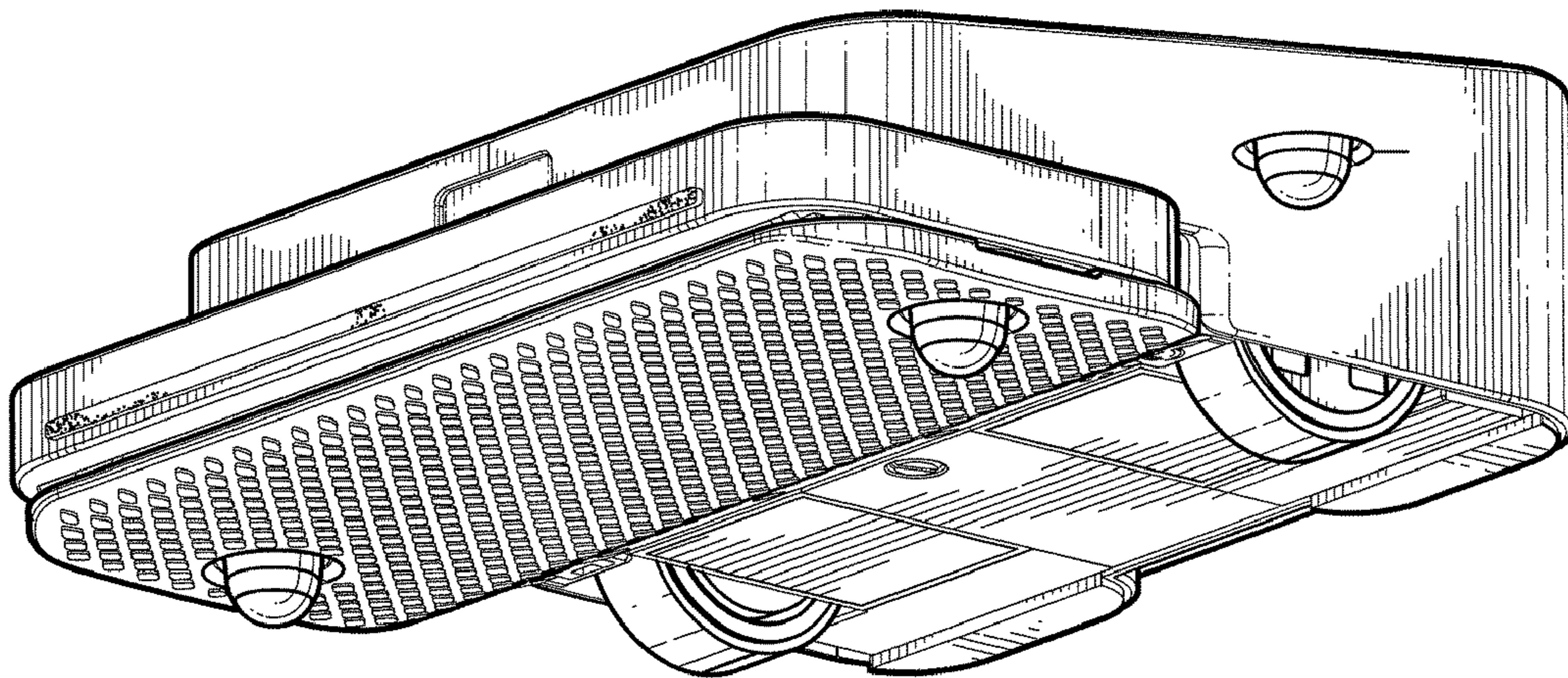


FIG. 8

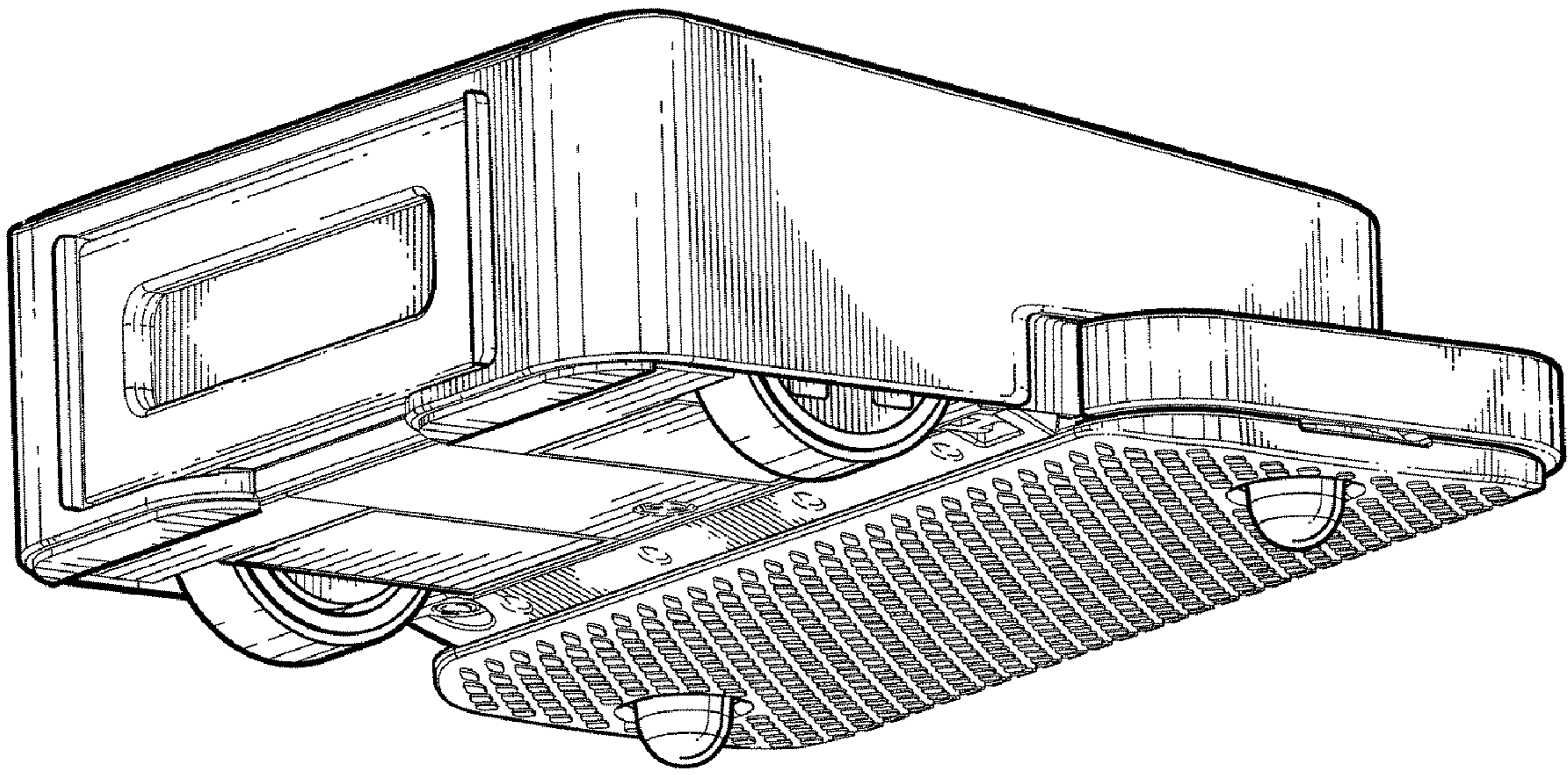


FIG. 9

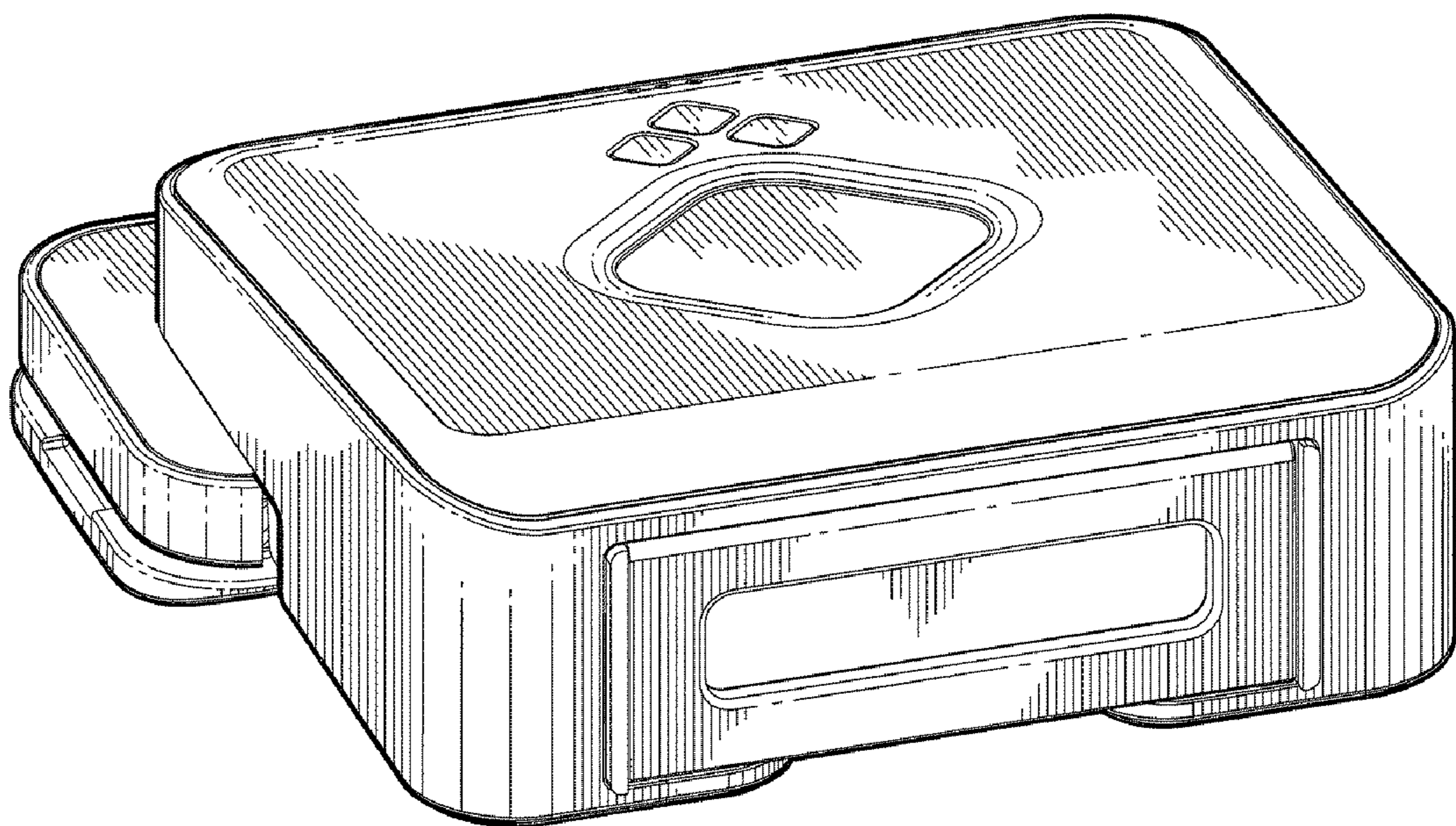


FIG. 10