



US00D625057S

(12) **United States Design Patent**
Teper et al.

(10) **Patent No.:** **US D625,057 S**

(45) **Date of Patent:** **** *Oct. 5, 2010**

(54) **LITTER BOX FOR AN ANIMAL**

(76) Inventors: **Brett Teper**, 139 Fulton St., PH1, New York, NY (US) 10038; **Rich Williams**, 139 Fulton St., PH1, New York, NY (US) 10038

(*) Notice: This patent is subject to a terminal disclaimer.

(**) Term: **14 Years**

(21) Appl. No.: **29/313,359**

(22) Filed: **Dec. 30, 2008**

(51) **LOC (9) Cl.** **30-99**

(52) **U.S. Cl.** **D30/161**

(58) **Field of Classification Search** D30/108, D30/118-120, 161; 119/161-170

See application file for complete search history.

(56) **References Cited**

U.S. PATENT DOCUMENTS

4,352,340 A * 10/1982 Strubelt 119/170

D334,815 S * 4/1993 Bunger D30/108
6,135,057 A * 10/2000 Cummings 119/165
6,662,748 B1 * 12/2003 Hanks 119/170

* cited by examiner

Primary Examiner—Mitchell I Siegel

(74) *Attorney, Agent, or Firm*—Charles E. Baxley

(57) **CLAIM**

We claim the ornamental design for a litter box for an animal, as shown and described.

DESCRIPTION

FIG. 1 is a frontal rightward downward prospective view a litter box for an animal according to our invention;

FIG. 2 is a front elevational view thereof;

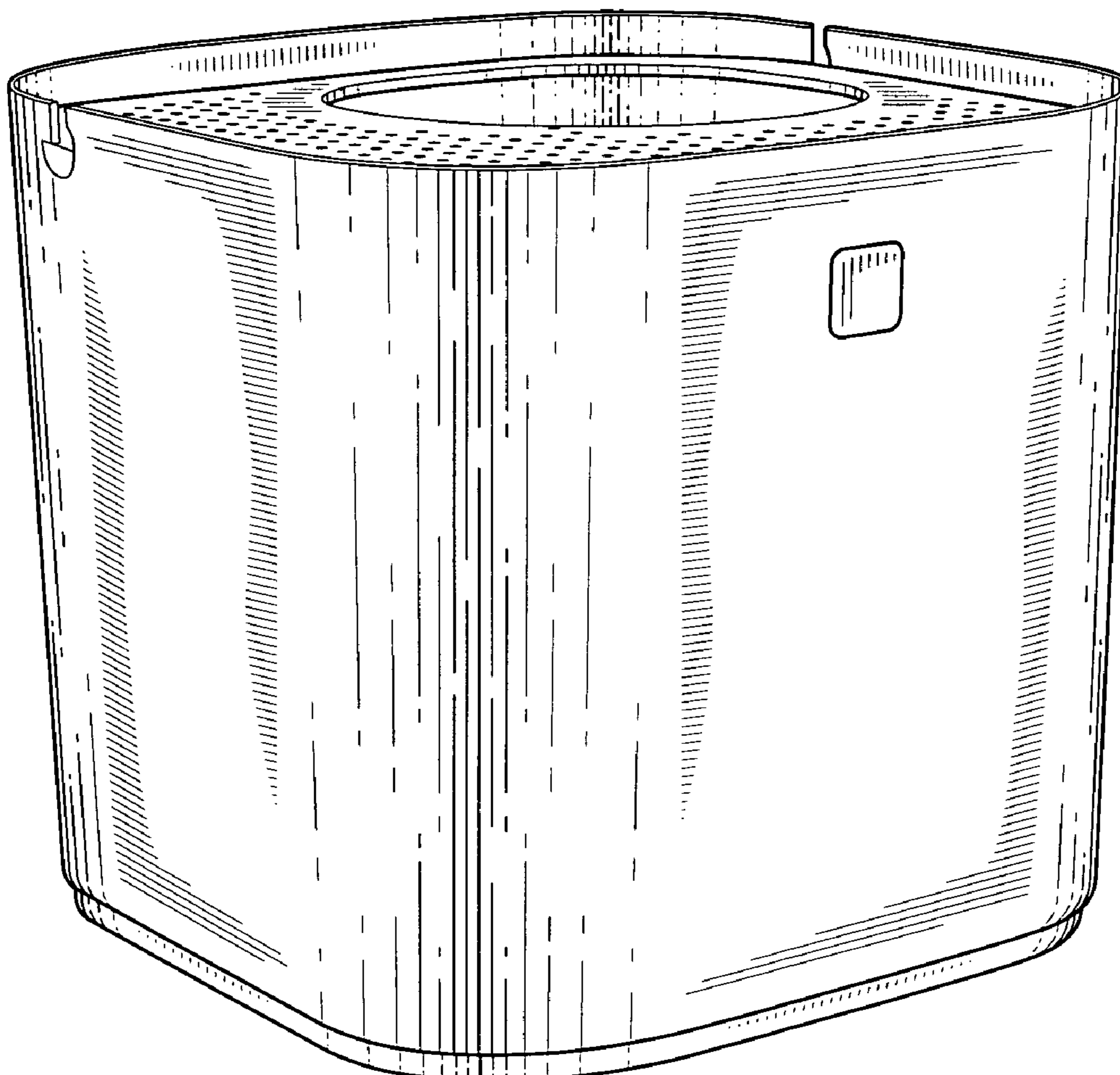
FIG. 3 is a right elevational view thereof, a left elevational view thereof being a mirror image of FIG. 3;

FIG. 4 is a rear elevational view thereof;

FIG. 5 is a top plan view thereof; and,

FIG. 6 is a bottom plan view thereof.

1 Claim, 6 Drawing Sheets



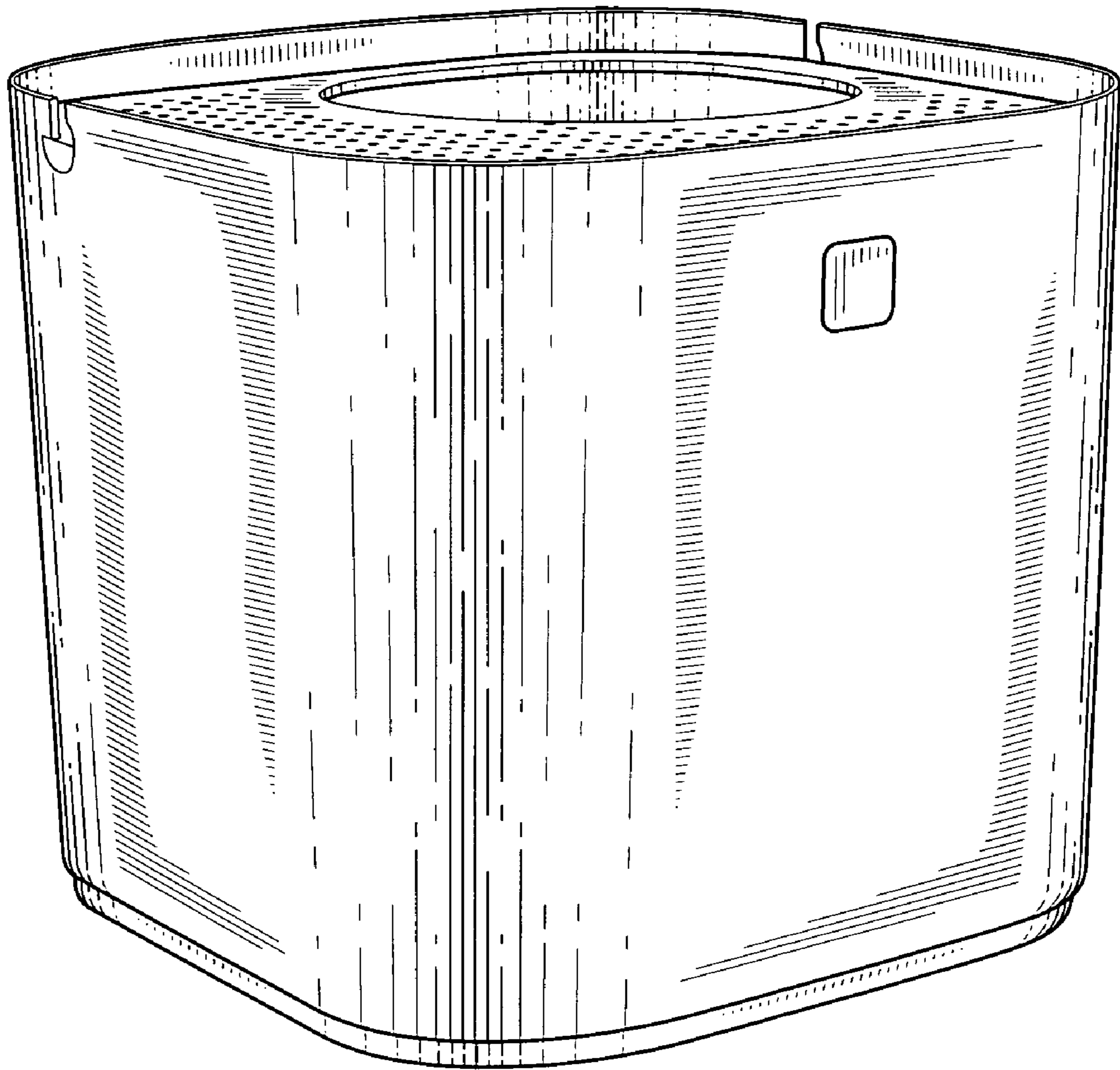


FIG. 1

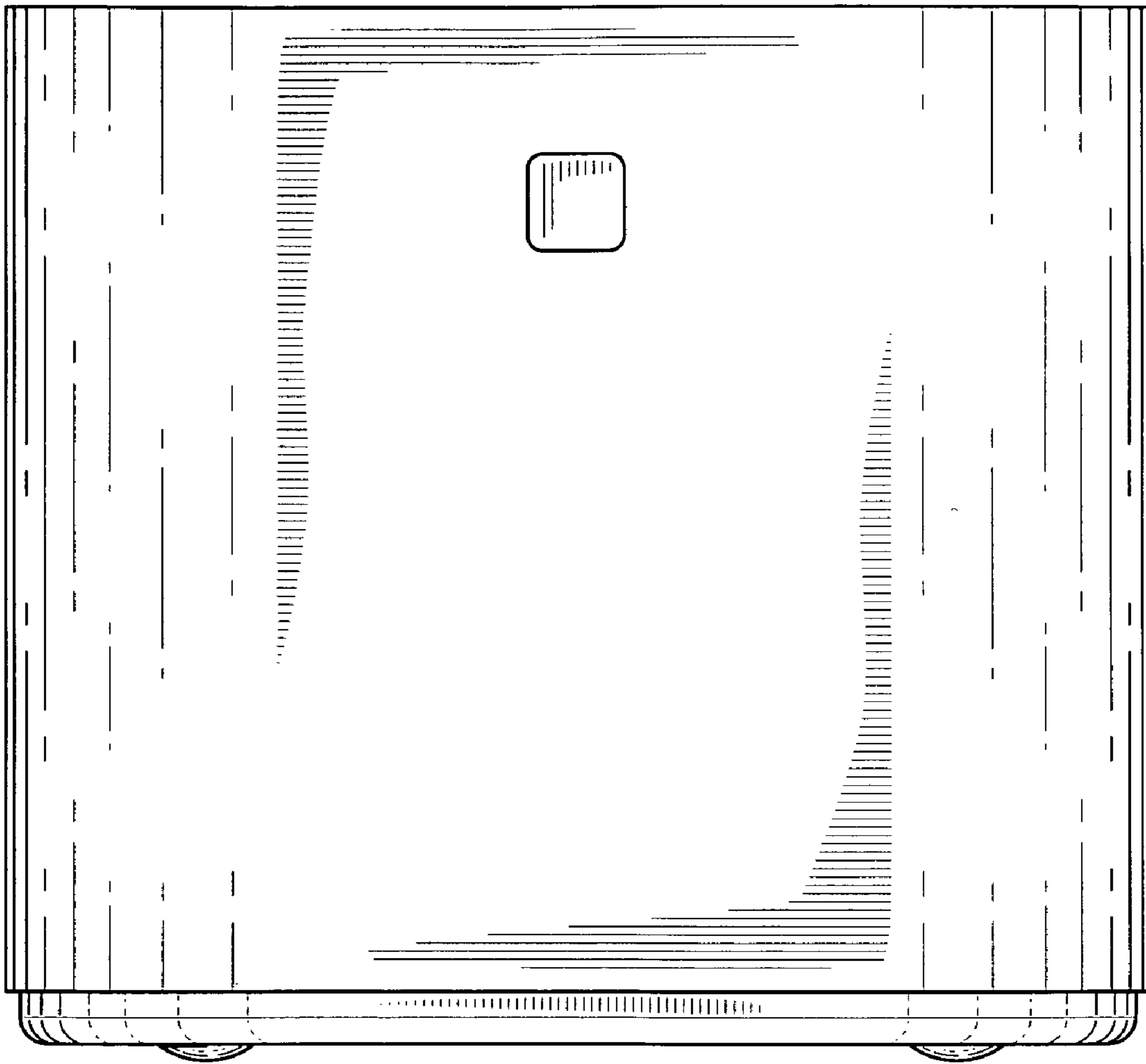


FIG. 2

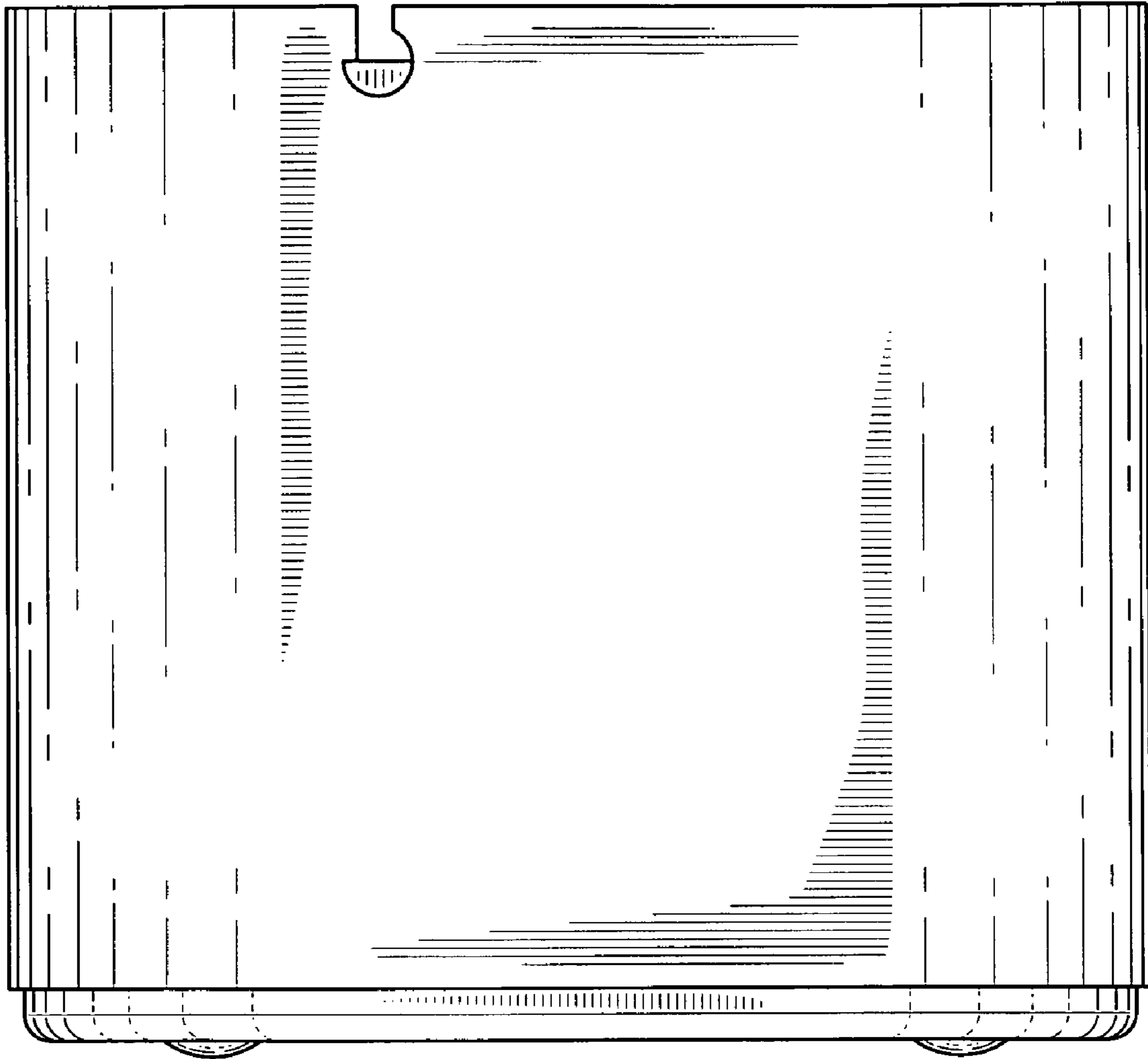


FIG. 3

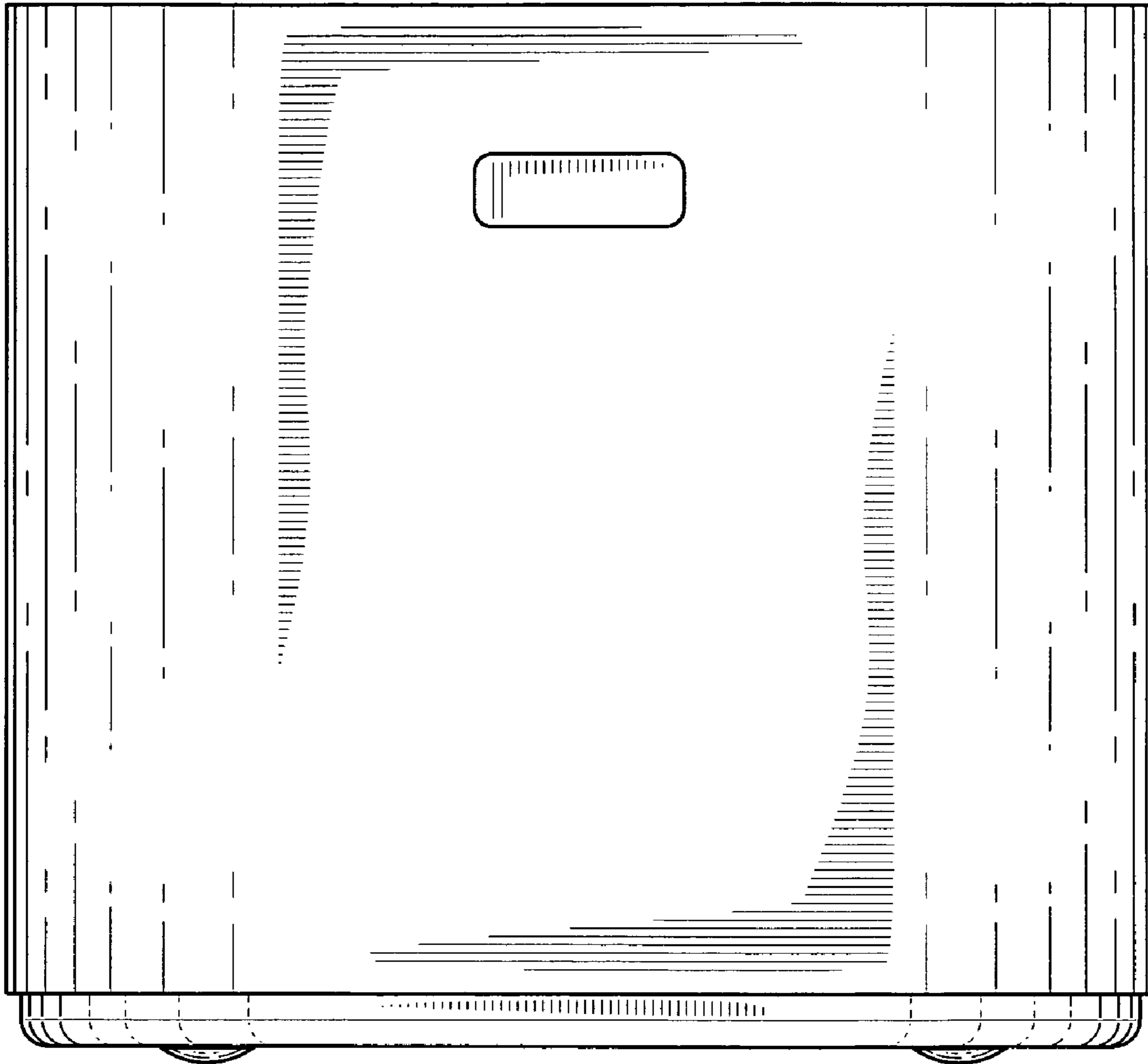


FIG. 4

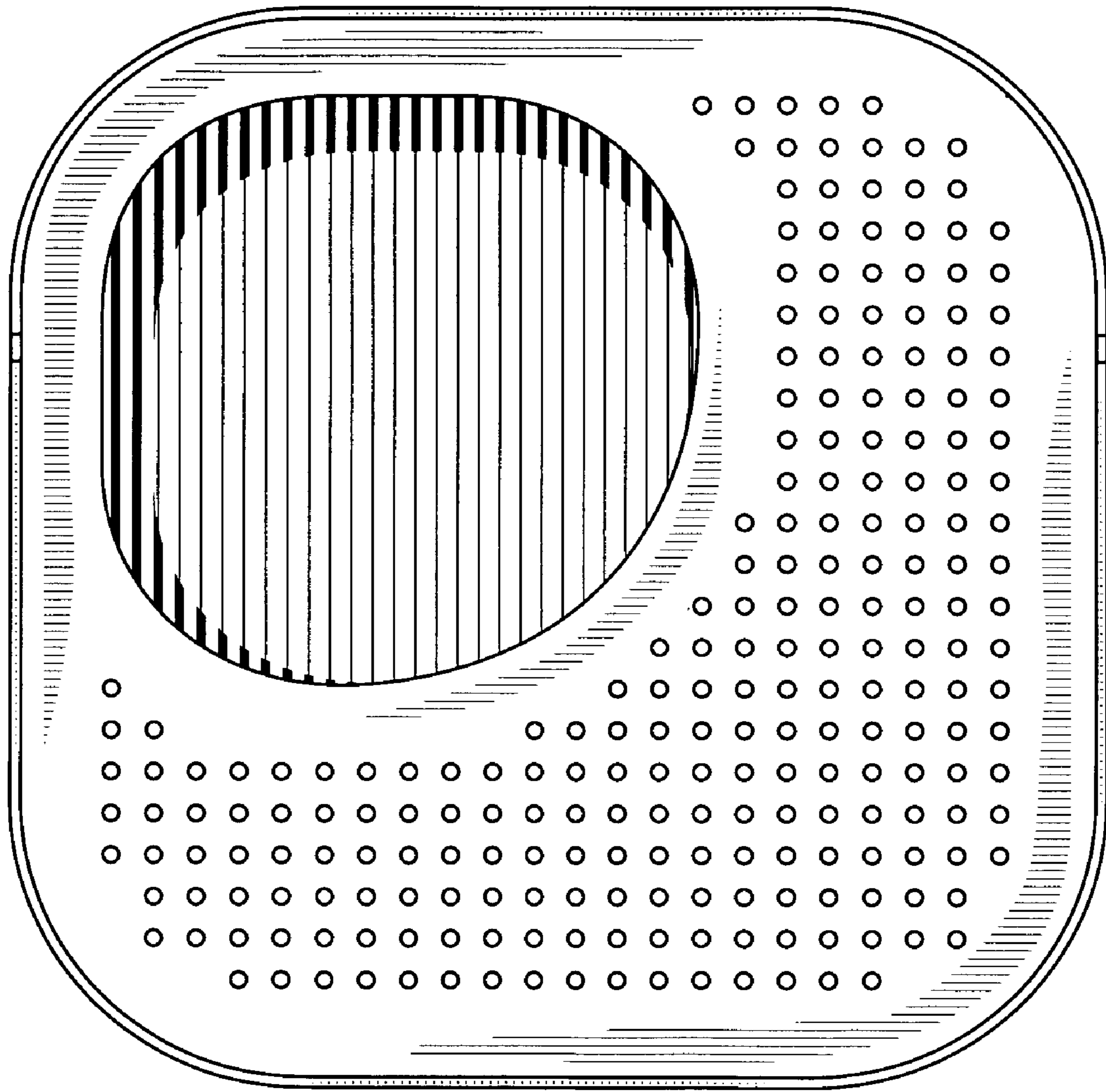


FIG. 5

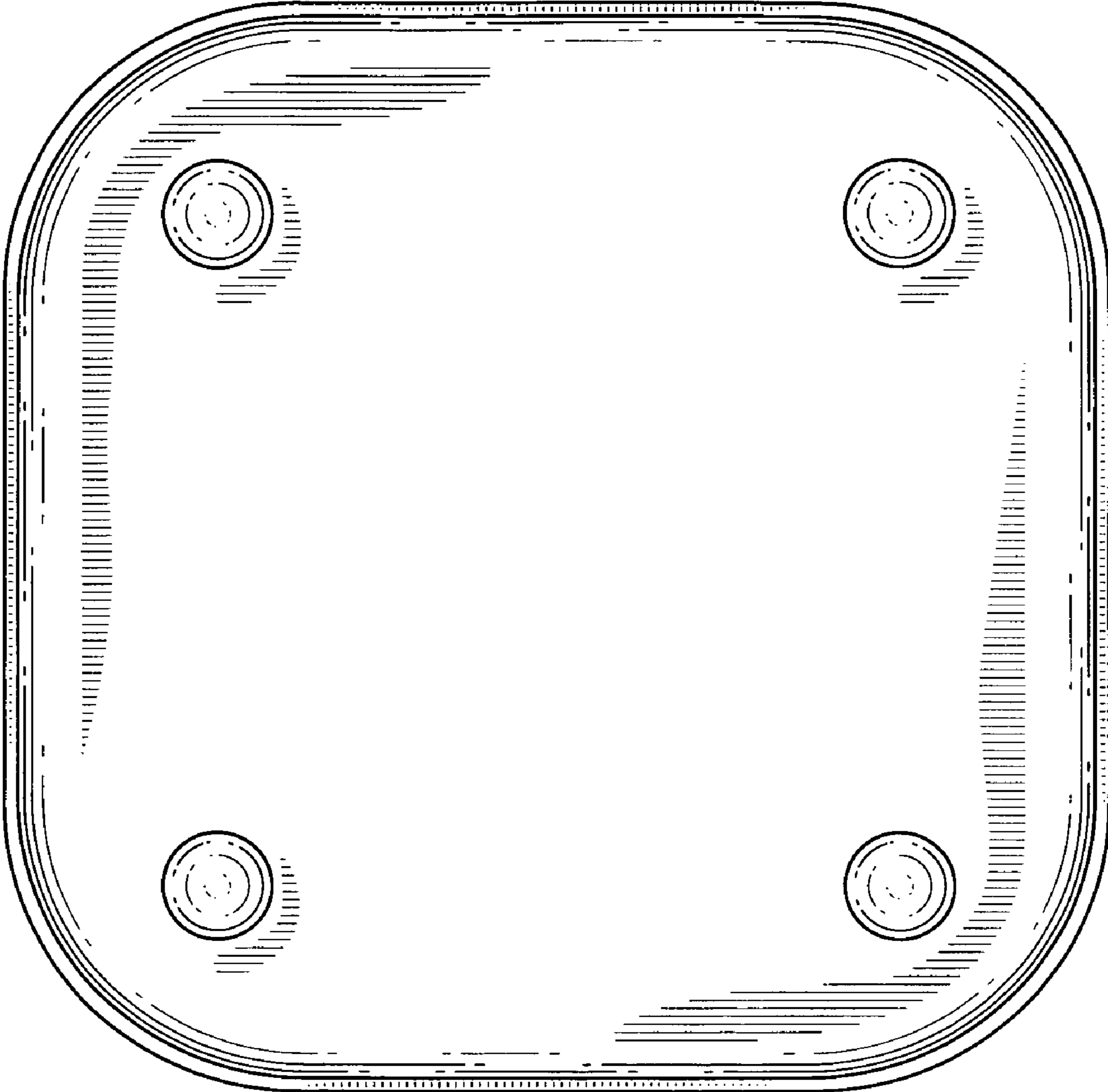


FIG. 6