



US00D625054S

(12) **United States Design Patent**
Nowacek

(10) **Patent No.:** **US D625,054 S**

(45) **Date of Patent:** **** Oct. 5, 2010**

(54) **WILDLIFE FEEDER**

(76) Inventor: **David Nowacek**, 1250 NE. Loop 410,
Suite 800, San Antonio, TX (US) 78209

(**) Term: **14 Years**

(21) Appl. No.: **29/359,085**

(22) Filed: **Apr. 6, 2010**

Related U.S. Application Data

(63) Continuation of application No. 29/312,324, filed on Oct. 14, 2008, now abandoned, and a continuation-in-part of application No. 12/069,371, filed on Feb. 8, 2008.

(51) **LOC (9) Cl.** **30-03**

(52) **U.S. Cl.** **D30/121**

(58) **Field of Classification Search** D30/133,
D30/121, 122, 124, 127, 128, 132; 119/51.01,
119/61, 51.04, 53, 57.91, 54, 53.5, 52.4,
119/51.11, 63, 61.2, 52.1, 57.5, 57.6, 51.13,
119/62, 75, 500, 501; 239/7, 687, 379, 397.5;
222/199, 181.1, 181.2, 185.1, 557, 156, 485,
222/486, 548, 555; 220/200, 227, 247, 262;
221/174, 185.1, 289, 295, 296, 559; 454/35;
209/270, 283, 244; 52/194, 192; 49/279,
49/344, 357; D34/28

See application file for complete search history.

(56) **References Cited**

U.S. PATENT DOCUMENTS

582,410 A	5/1897	Young	119/52.4
1,192,487 A	7/1916	Zok	119/51.01
1,497,596 A	6/1924	Scott	119/52.1
1,520,607 A	12/1924	Smith	119/52.1
1,537,337 A	5/1925	De angulo	119/80
2,515,698 A	7/1950	Wheeler	119/53
2,534,442 A	12/1950	Hargey	119/53
D164,213 S *	8/1951	White	D30/132
2,585,400 A *	2/1952	Morton	119/51.01
D168,337 S *	12/1952	Cusenbary	D30/121
2,972,334 A	2/1961	Braden	119/51.01

3,270,985 A	9/1966	Schmidt	244/165
3,506,218 A	4/1970	Kissell	244/158.1
D218,831 S	9/1970	Leeming	D30/129
3,730,139 A	5/1973	Moore	119/429
D236,012 S	7/1975	Crawford	D30/122
3,911,868 A	10/1975	Brembeck	119/53
D239,546 S	4/1976	Kitson	D30/121
3,962,997 A	6/1976	Ruth	
4,070,990 A	1/1978	Swartzendruber	119/53
4,401,057 A	8/1983	Van Gilst	119/57.4
4,834,026 A	5/1989	Brembeck	119/53
4,841,912 A	6/1989	Oswald	119/53
D302,750 S	8/1989	Brembeck	D30/122
4,889,078 A	12/1989	Smiley	119/53.5
D309,963 S	8/1990	Cureton	D30/122
4,945,859 A	8/1990	Churchwell	119/57.91
4,995,343 A	2/1991	Cole	119/53
5,066,388 A	11/1991	Ross	
D338,694 S	8/1993	Krebs	D21/452

(Continued)

Primary Examiner—Susan Moon Lee
(74) *Attorney, Agent, or Firm*—Jackson Walker, LLP

(57) **CLAIM**

I claim the ornamental design for a wildlife feeder, as shown and described.

DESCRIPTION

FIG. 1 is a front perspective view of a wildlife feeder showing my new design;

FIG. 2 is a front elevational view thereof.

FIG. 3 is a top elevational view thereof.

FIG. 4 is a left side elevation view thereof.

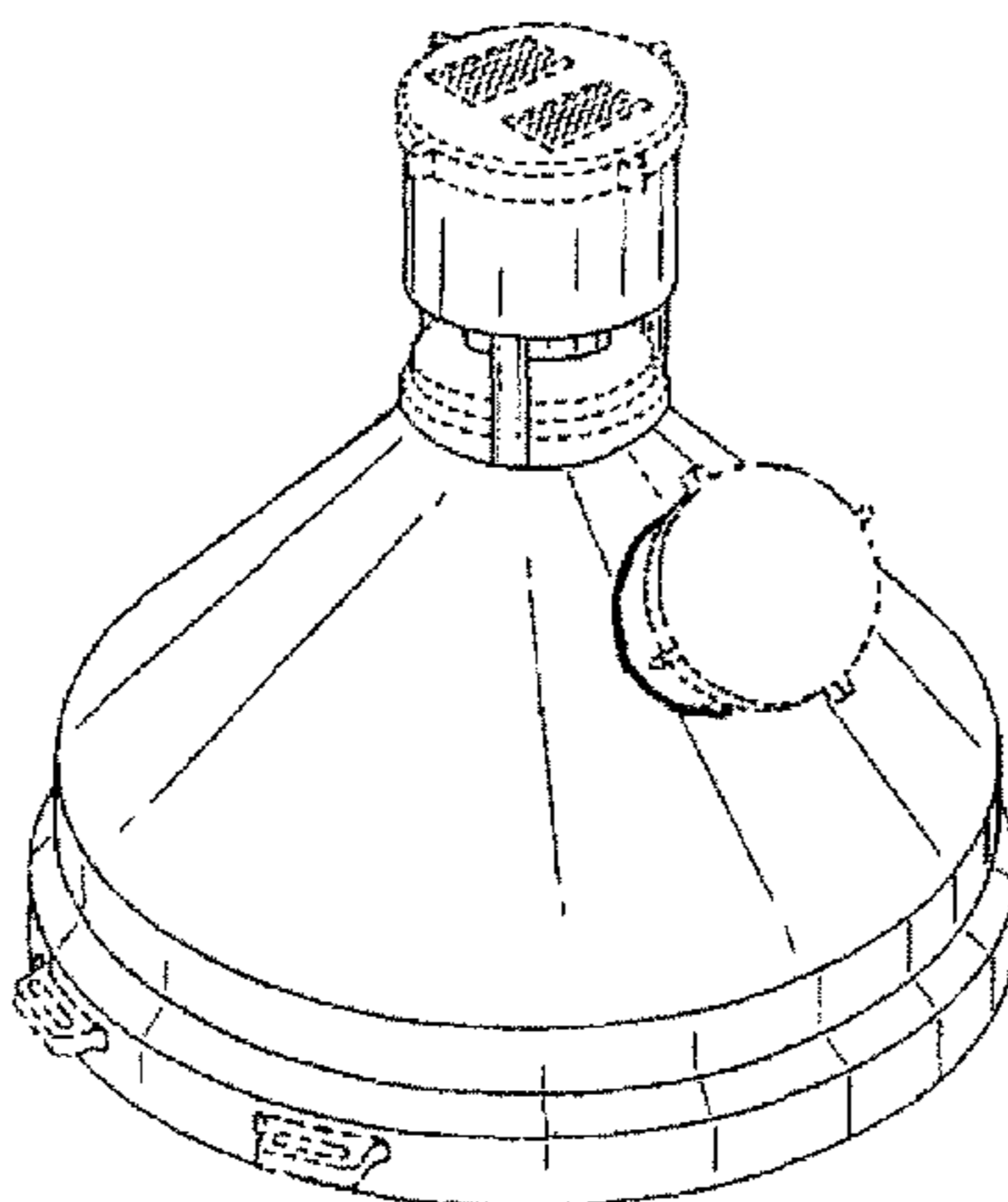
FIG. 5 is a rear elevational view thereof.

FIG. 6 is a right side elevational view thereof; and,

FIG. 7 is a bottom elevational view thereof.

Any portions comprised of broken line are not claimed.

1 Claim, 4 Drawing Sheets



US D625,054 S

Page 2

U.S. PATENT DOCUMENTS

D339,429 S	9/1993	Reid	D30/121	6,575,117 B1	6/2003	Rasmussen	119/57.1
D347,461 S *	5/1994	Bertrand	D21/451	6,761,129 B1	7/2004	Smith	119/52.1
D347,481 S	5/1994	Ashley	D21/451	D505,522 S	5/2005	Jurk	D30/131
5,463,980 A	11/1995	Rasmussen	119/57.1	6,899,056 B1	5/2005	Kelly	
D374,952 S	10/1996	Wenstrand	D30/132	D512,538 S	12/2005	Bird	D30/121
D403,131 S	12/1998	Bowell	D30/132	7,028,635 B1	4/2006	Eastman	119/51.11
5,855,943 A	1/1999	Lush et al.		7,107,932 B2	9/2006	Cole	119/53
5,927,232 A	7/1999	Pollock	119/53	7,228,817 B2	6/2007	Busse	119/53
5,941,193 A	8/1999	Cole	119/57.4	7,314,406 B2 *	1/2008	Bilinovich	452/185
6,173,676 B1	1/2001	Cole	119/57.4	2005/0132966 A1	6/2005	Hartsell	119/52.1
6,439,159 B1	8/2002	Rizzo	119/72	2008/0202435 A1	8/2008	Nowacek	119/51.01
6,571,734 B1	6/2003	Finkleaw	119/57.91				

* cited by examiner

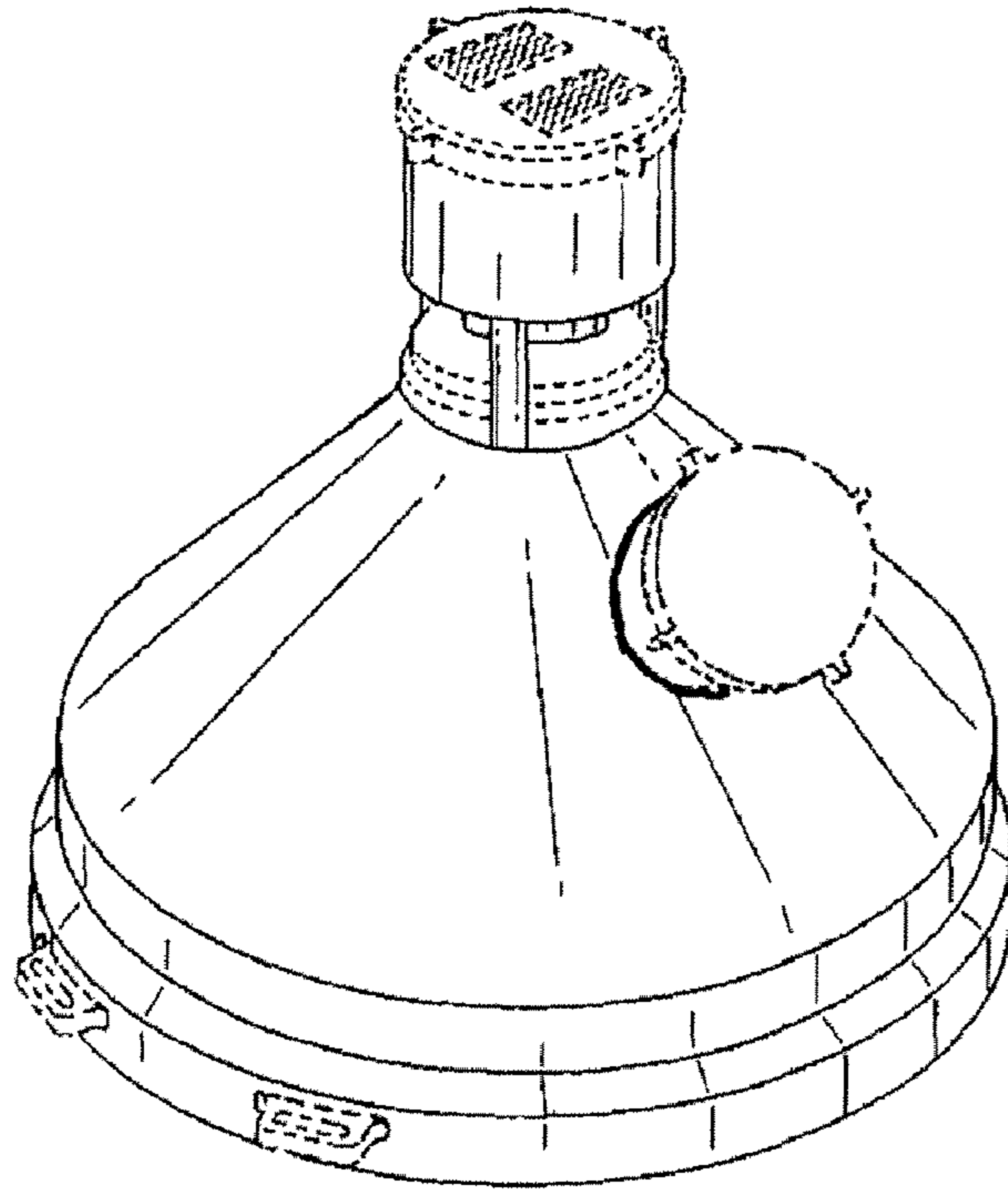


Fig. 1

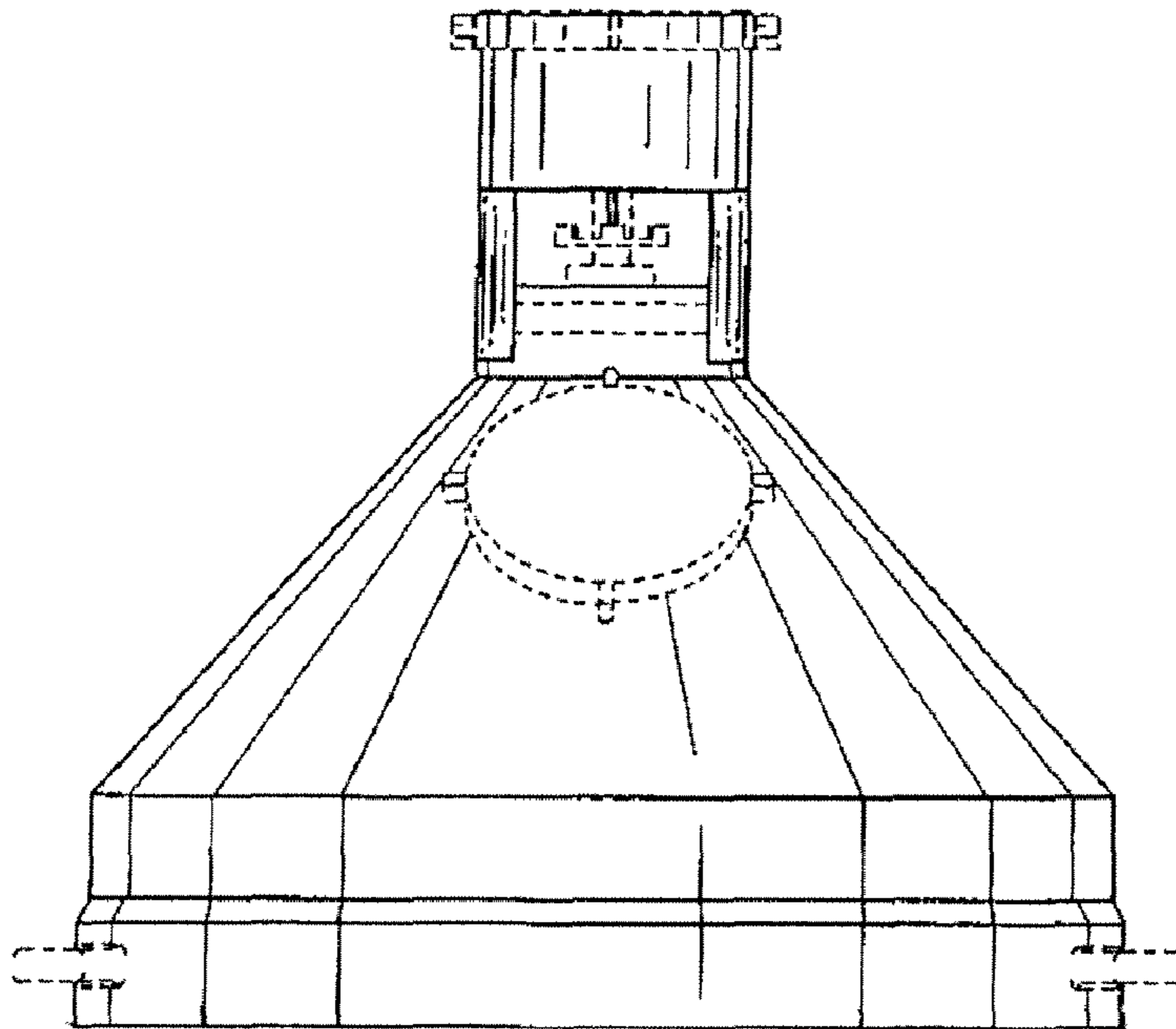


Fig. 2

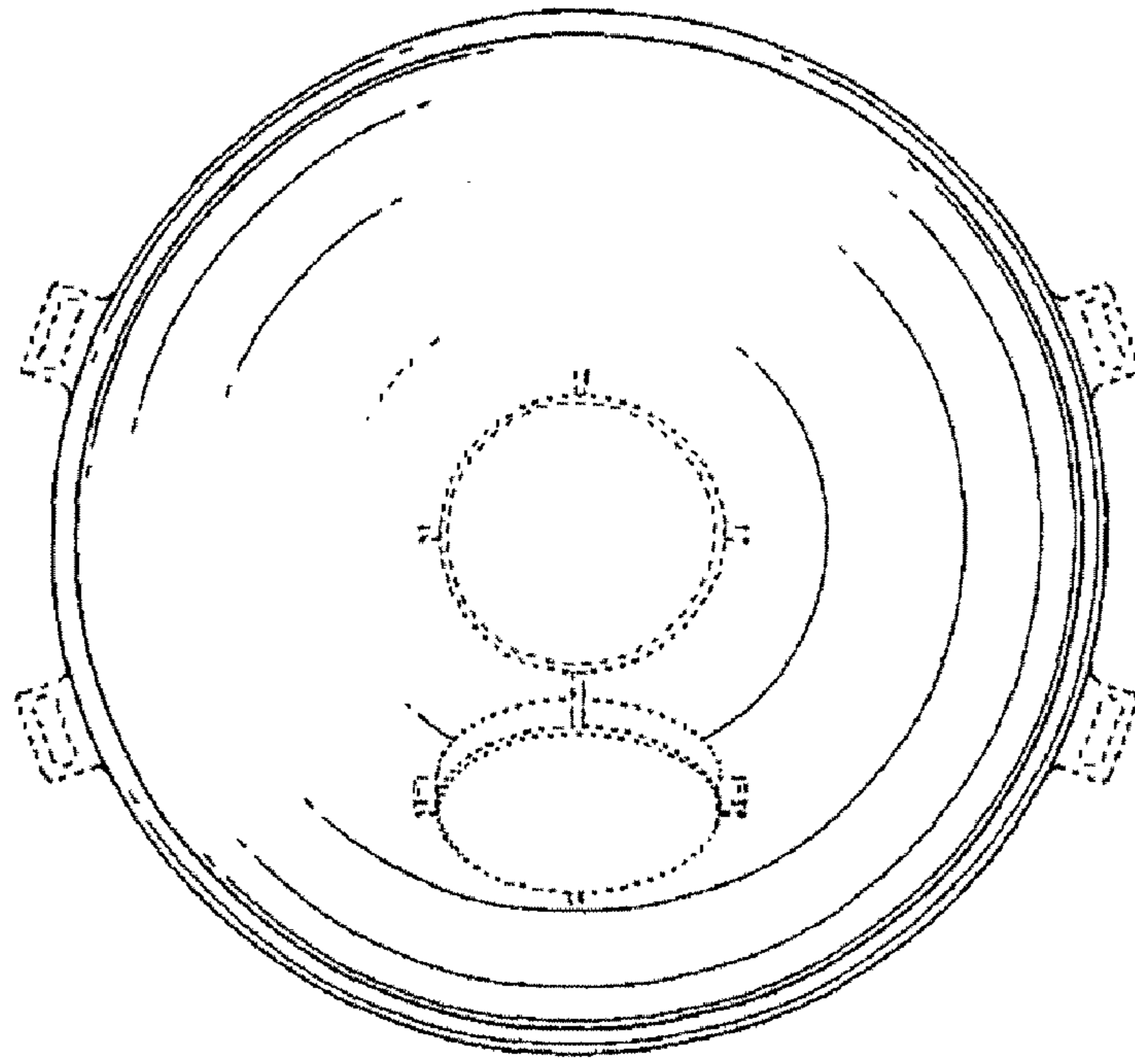


Fig. 3

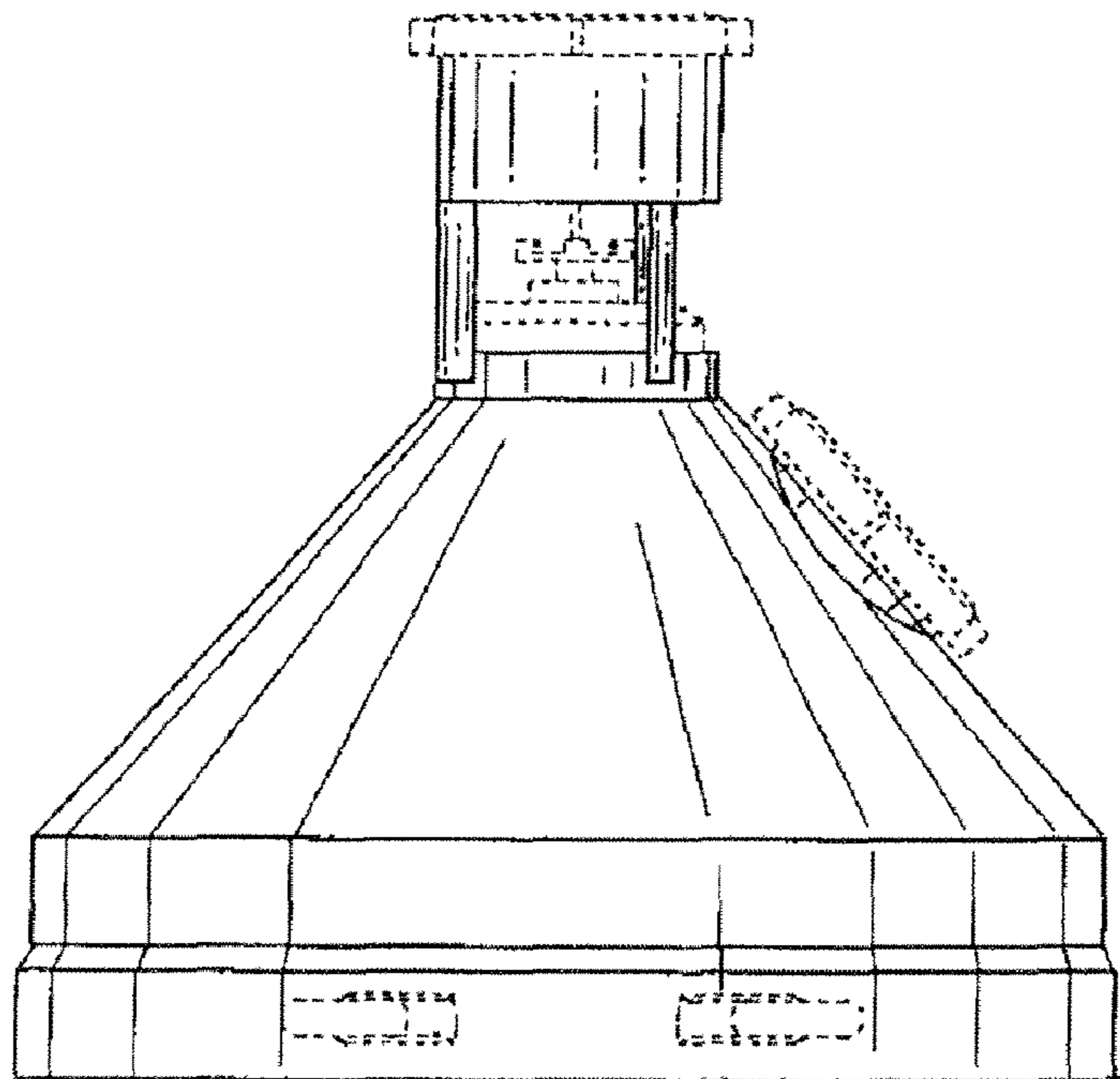


Fig. 4

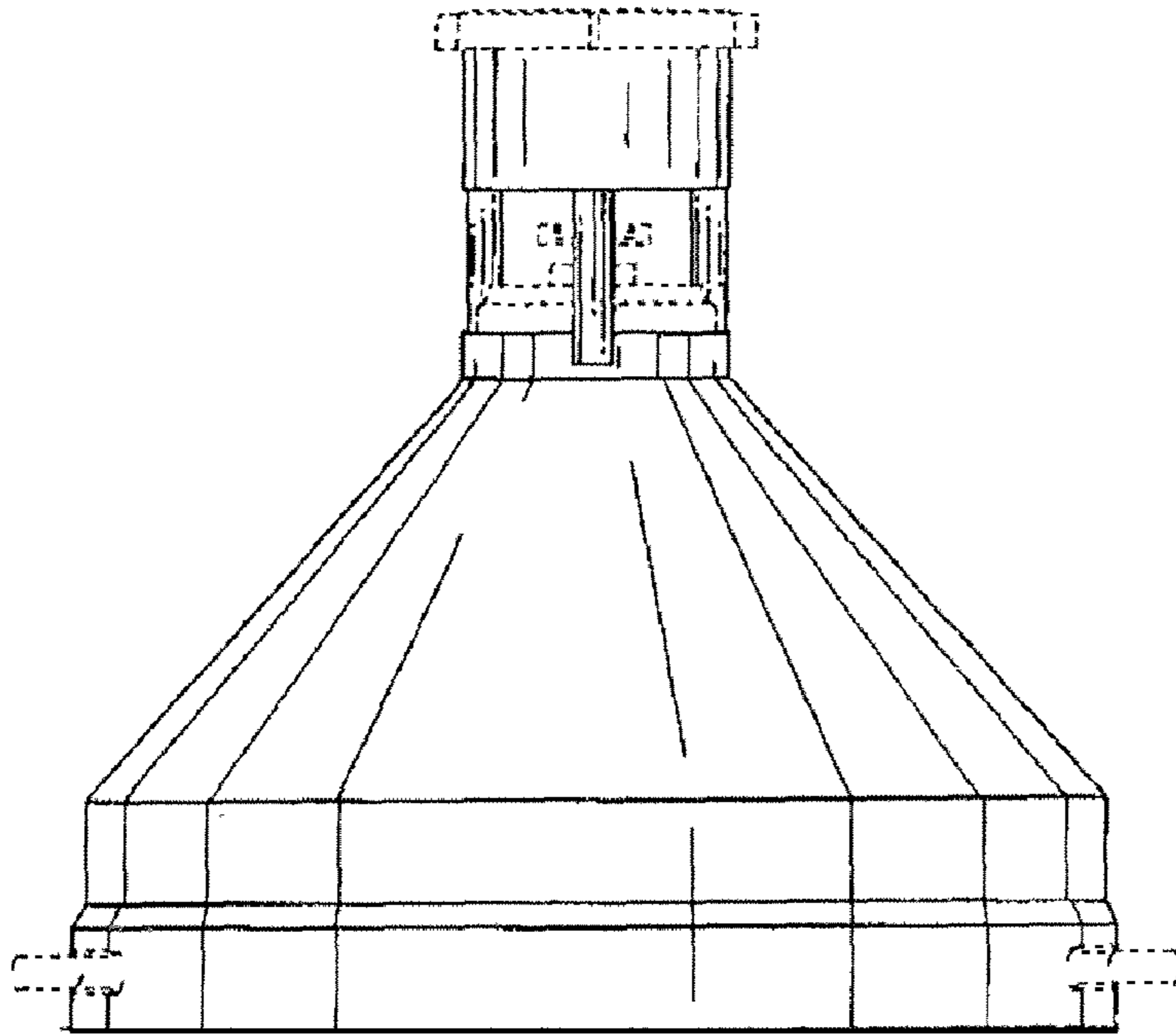


Fig. 5

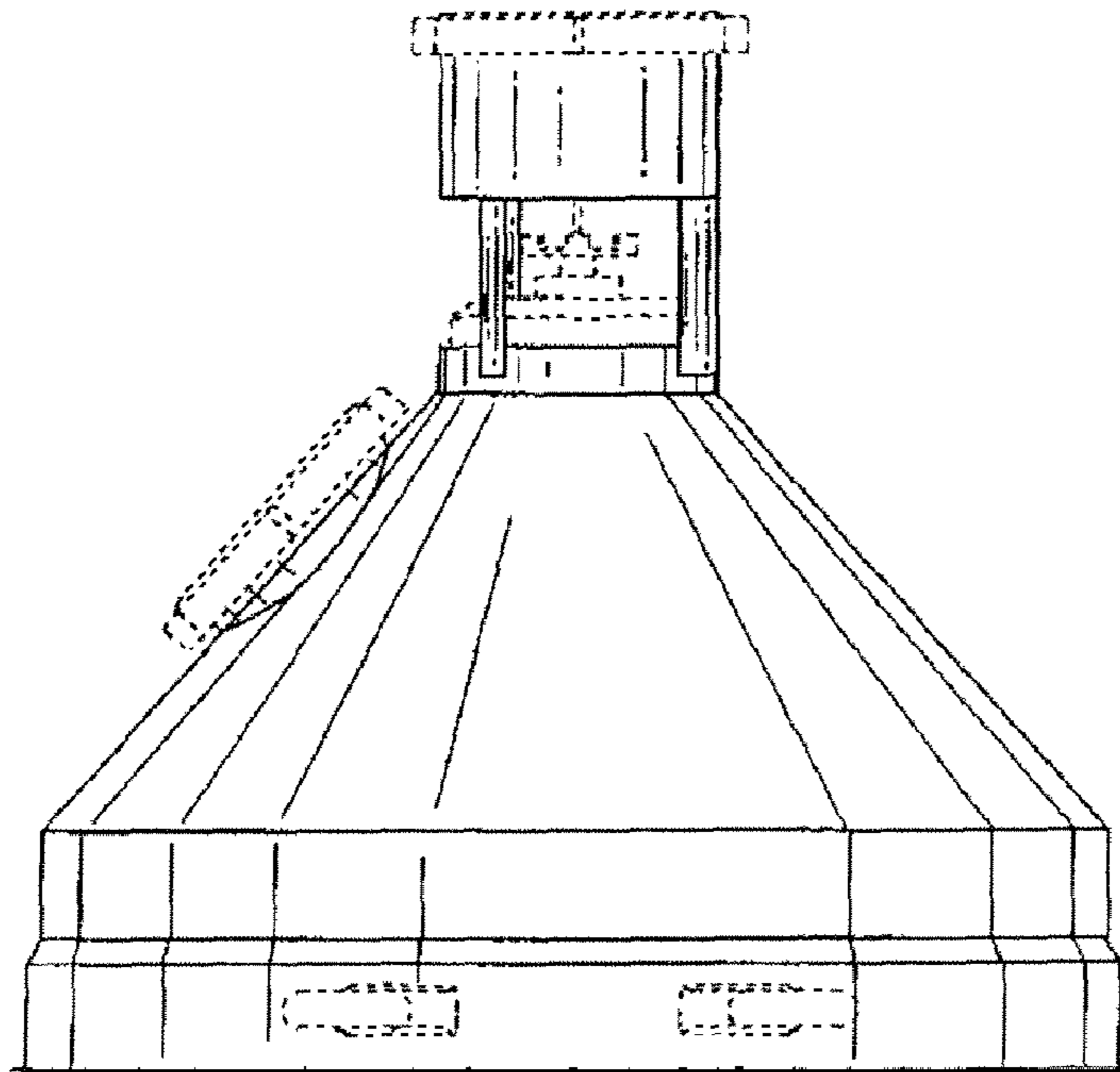


Fig. 6

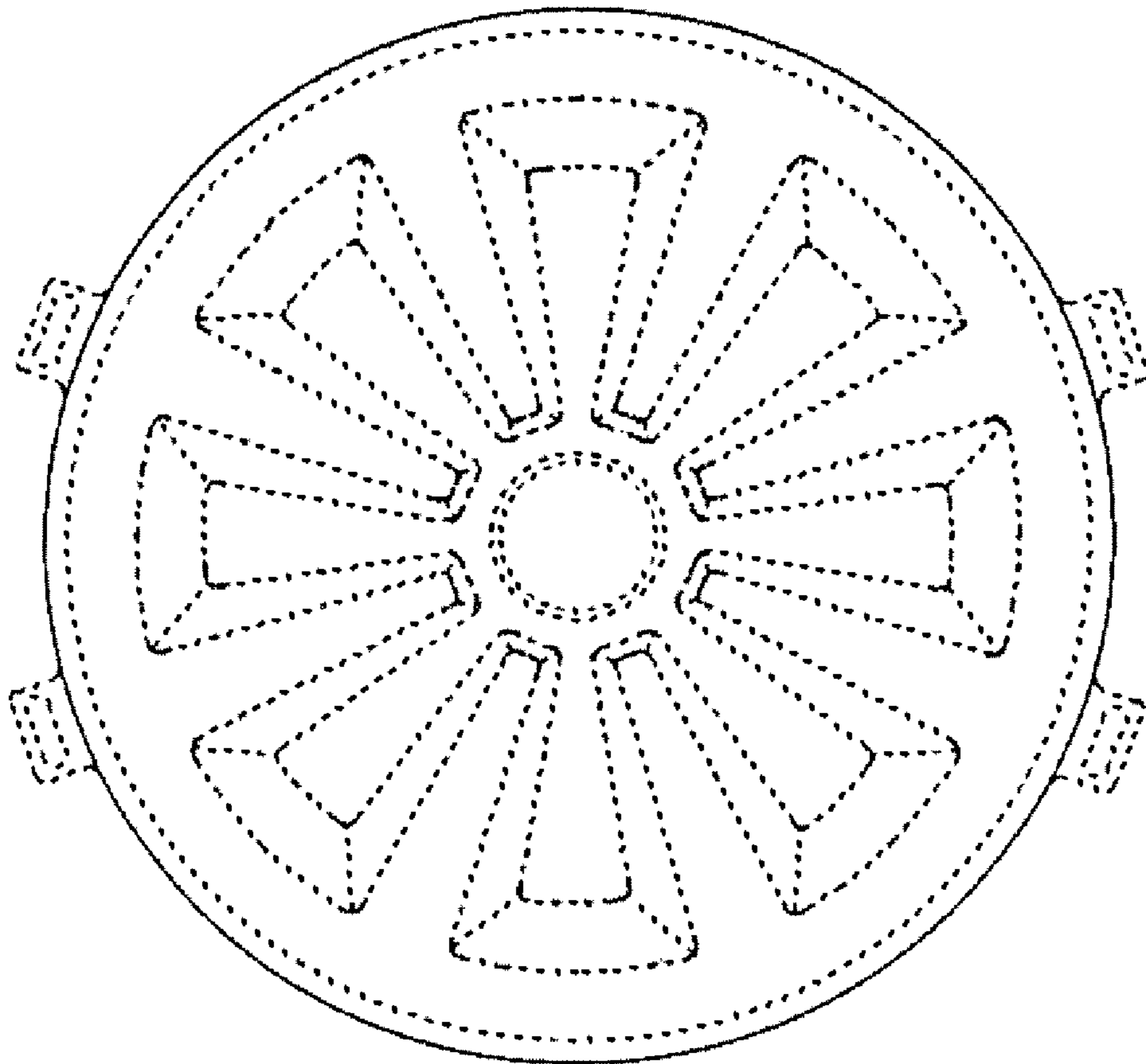


Fig. 7