



US00D625052S

(12) **United States Design Patent**  
**Mastoras et al.**

(10) **Patent No.:** **US D625,052 S**

(45) **Date of Patent:** **\*\* Oct. 5, 2010**

(54) **HELMET ACCESSORY**

(76) Inventors: **Gregg Eric Mastoras**, 25 Priscilla Rd.,  
Chestnut Hill, MA (US) 02467; **Lara**  
**Patricia Metcalf**, 25 Priscilla Rd.,  
Chestnut Hill, MA (US) 02467

(\*\*) Term: **14 Years**

(21) Appl. No.: **29/315,873**

(22) Filed: **Jul. 31, 2009**

(51) **LOC (9) Cl.** ..... **29-02**

(52) **U.S. Cl.** ..... **D29/122**

(58) **Field of Classification Search** ..... D29/102-106,  
D29/122; D2/865, 866, 868, 869, 870, 891,  
D2/895, 902, 906-908, 943, 944, 946, 972-974,  
D2/976, 978; D28/92; 2/171, 244, 209.13,  
2/410-414, 416, 421-423, 425, 918; 446/27;  
132/53, 105; 36/45, 50.1, 77 M, 77 R, 83,  
36/88, 113, 114, 126-131, 136; D11/204,  
D11/222, 223, 225, 226, 227, 231

See application file for complete search history.

(56) **References Cited**

**U.S. PATENT DOCUMENTS**

D151,493 S \* 10/1948 Boucher ..... D11/67  
D154,167 S \* 2/1950 Katz ..... D11/40  
D160,666 S \* 10/1950 Schneider ..... D11/45  
D244,236 S \* 5/1977 Kyle ..... D29/122  
5,136,726 A \* 8/1992 Kellin et al. .... 2/244  
D344,252 S \* 2/1994 Choi ..... D11/222

5,544,027 A 8/1996 Orsano  
D404,337 S \* 1/1999 Goodman et al. .... D11/86  
D488,264 S 4/2004 Masterson  
6,718,559 B1 4/2004 Davidson  
D494,883 S \* 8/2004 Pachachi ..... D11/33  
D501,281 S \* 1/2005 Kole ..... D29/122  
6,848,122 B1 2/2005 Meeds  
D554,847 S 11/2007 Schmelzer et al.  
2006/0007668 A1 \* 1/2006 Chien ..... 362/103  
2008/0060110 A1 \* 3/2008 Schmelzer et al. .... 2/69

\* cited by examiner

*Primary Examiner*—Raphael Barkai

*Assistant Examiner*—Randall H Gholson

(57) **CLAIM**

The ornamental design for a helmet accessory, as shown and described.

**DESCRIPTION**

FIG. 1 is a perspective view of my new design for a helmet accessory.

FIG. 2 is a top view of the helmet accessory

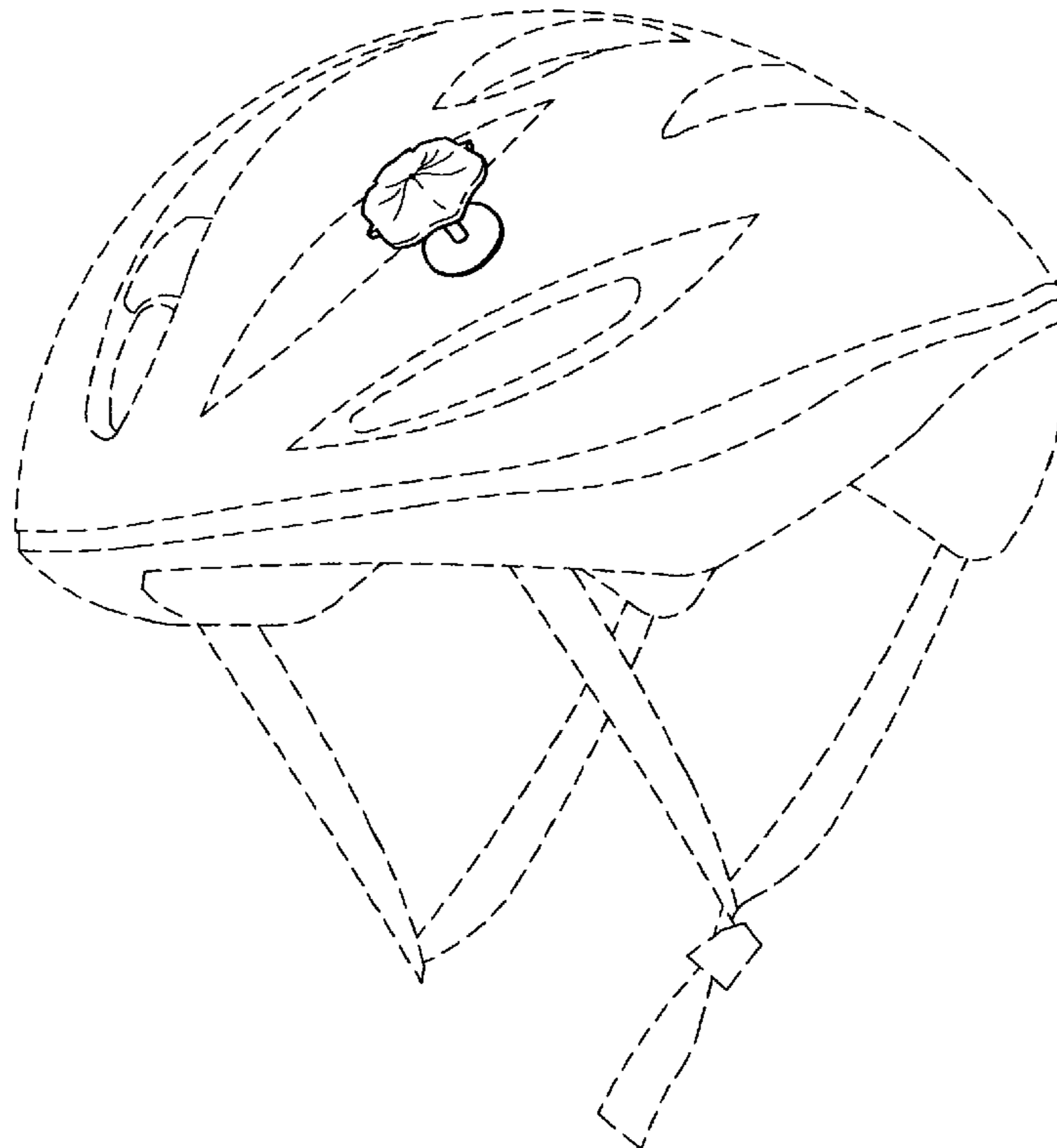
FIG. 3 is a bottom view of the helmet accessory

FIG. 4 is an elevation view of the helmet accessory; and,

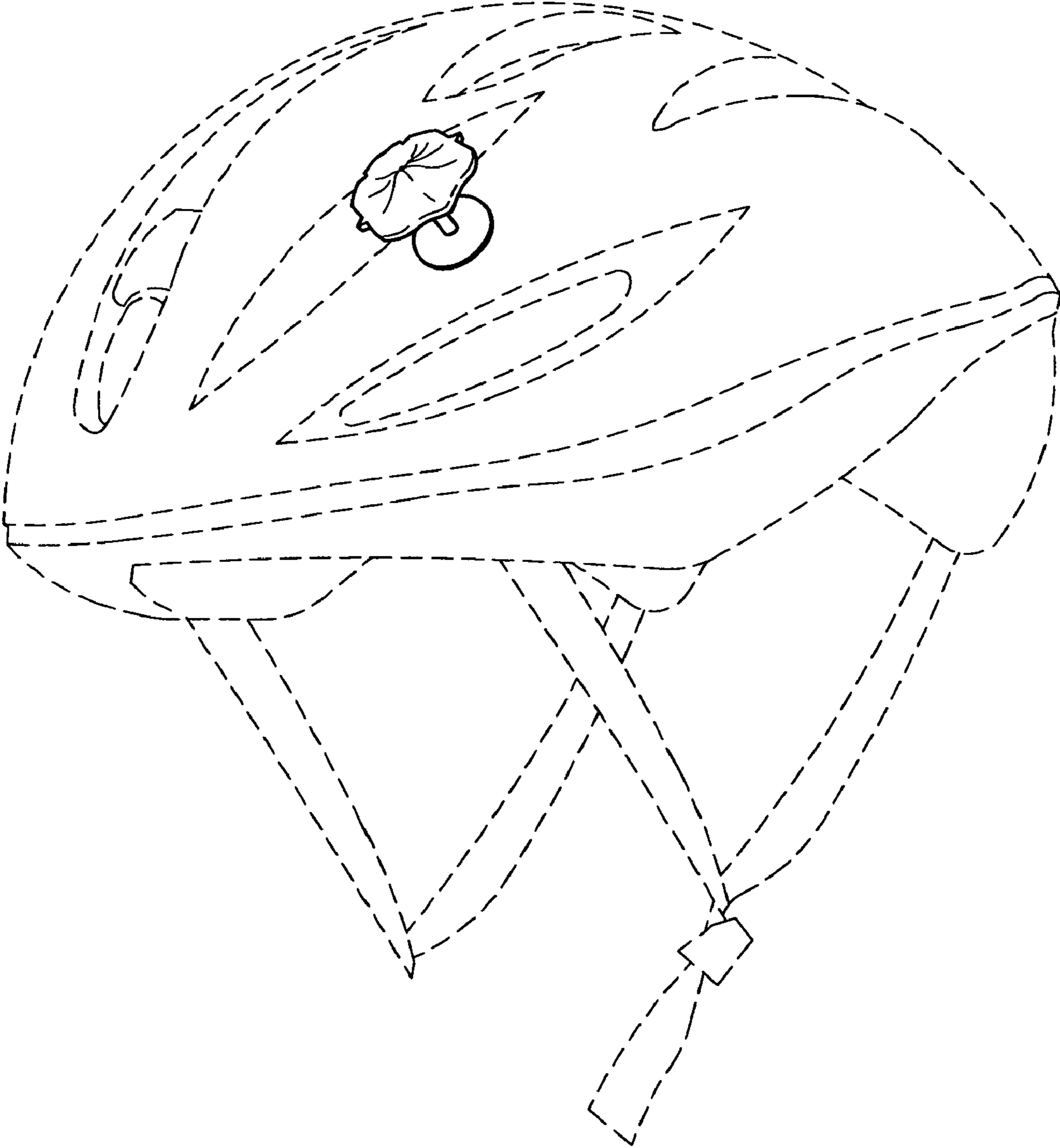
FIG. 5 is a section view of the helmet accessory.

The broken line showing of a helmet is included for the purpose of illustrating environment only and forms no part of the claimed design.

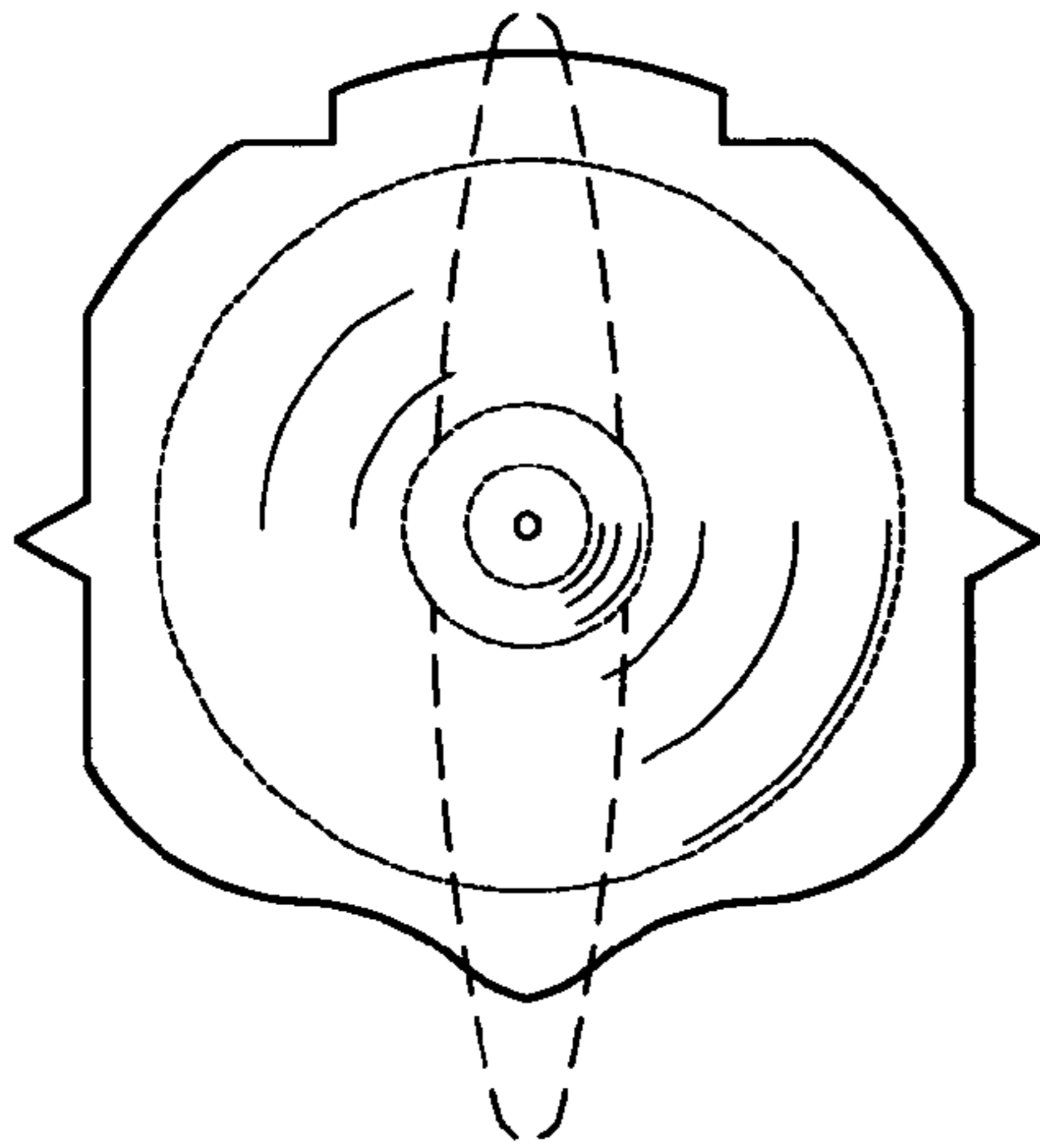
**1 Claim, 2 Drawing Sheets**



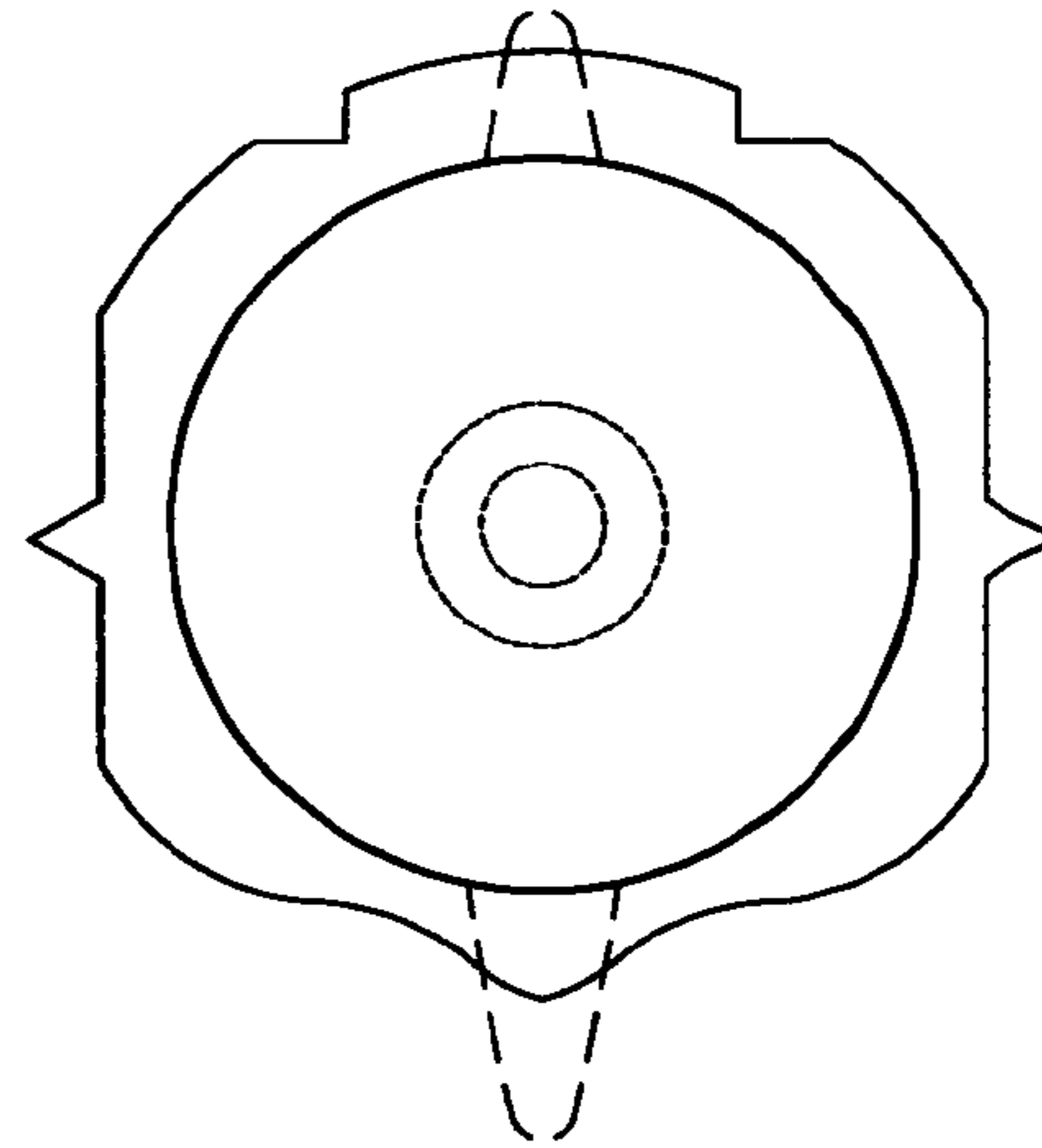
**FIG. 1**



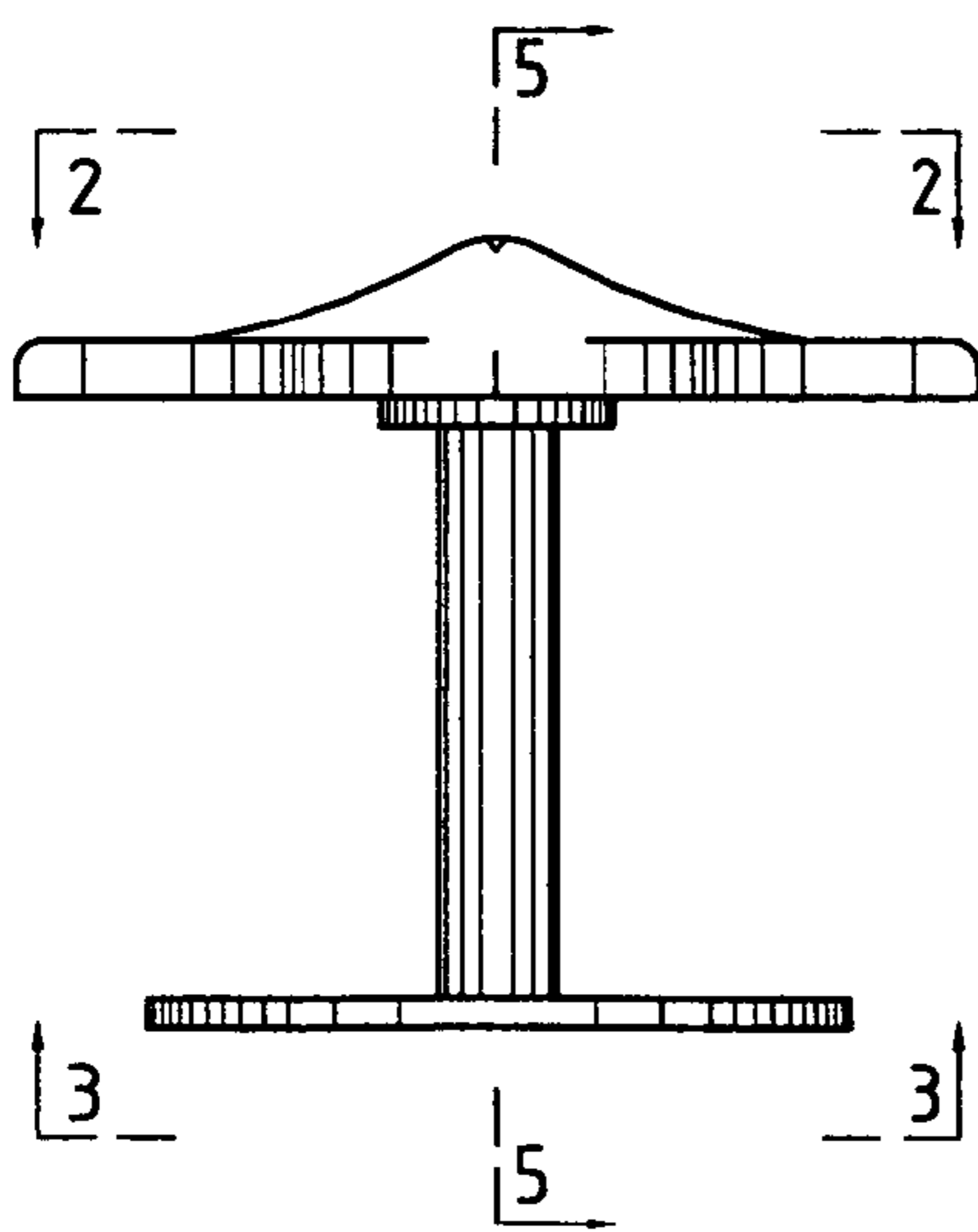
**FIG. 2**



**FIG. 3**



**FIG. 4**



**FIG. 5**

