



US00D625050S

(12) **United States Design Patent**
Chen

(10) **Patent No.:** **US D625,050 S**

(45) **Date of Patent:** **** Oct. 5, 2010**

(54) **FOOTBALL HELMET SHELL**

(75) Inventor: **Shyan-Wei Chen**, Taipei Hsien (TW)

(73) Assignee: **Racer Sporting Goods Co., Ltd.**, Taipei Hsien (TW)

(**) Term: **14 Years**

(21) Appl. No.: **29/351,423**

(22) Filed: **Dec. 4, 2009**

(51) **LOC (9) Cl.** **29-02**

(52) **U.S. Cl.** **D29/106**

(58) **Field of Classification Search** D29/102-107,
D29/109, 111, 122; 2/6.1, 6.3, 6.5, 6.7, 414,
2/421-425, 427, 468, 209.13, 175.6, 184.5,
2/10; D2/882, 886, 893

See application file for complete search history.

(56) **References Cited**

U.S. PATENT DOCUMENTS

- D272,960 S * 3/1984 Vinson D29/107
- D382,671 S * 8/1997 Shewchenko D29/106
- D512,534 S * 12/2005 Maddux et al. D29/106
- D581,599 S * 11/2008 Ferrara et al. D29/106

- D582,607 S * 12/2008 Ferrara et al. D29/106
- D587,854 S * 3/2009 Nimmons et al. D29/106
- D603,099 S * 10/2009 Bologna et al. D29/106
- D613,458 S * 4/2010 Righetti D29/102

* cited by examiner

Primary Examiner—Ruth McInroy

(74) *Attorney, Agent, or Firm*—Jackson IPG PLLC; Demian K. Jackson

(57) **CLAIM**

The ornamental design for football helmet shell, as shown and described.

DESCRIPTION

FIG. 1 is a perspective view of a football helmet shell showing my new design;

FIG. 2 is a front elevational view thereof;

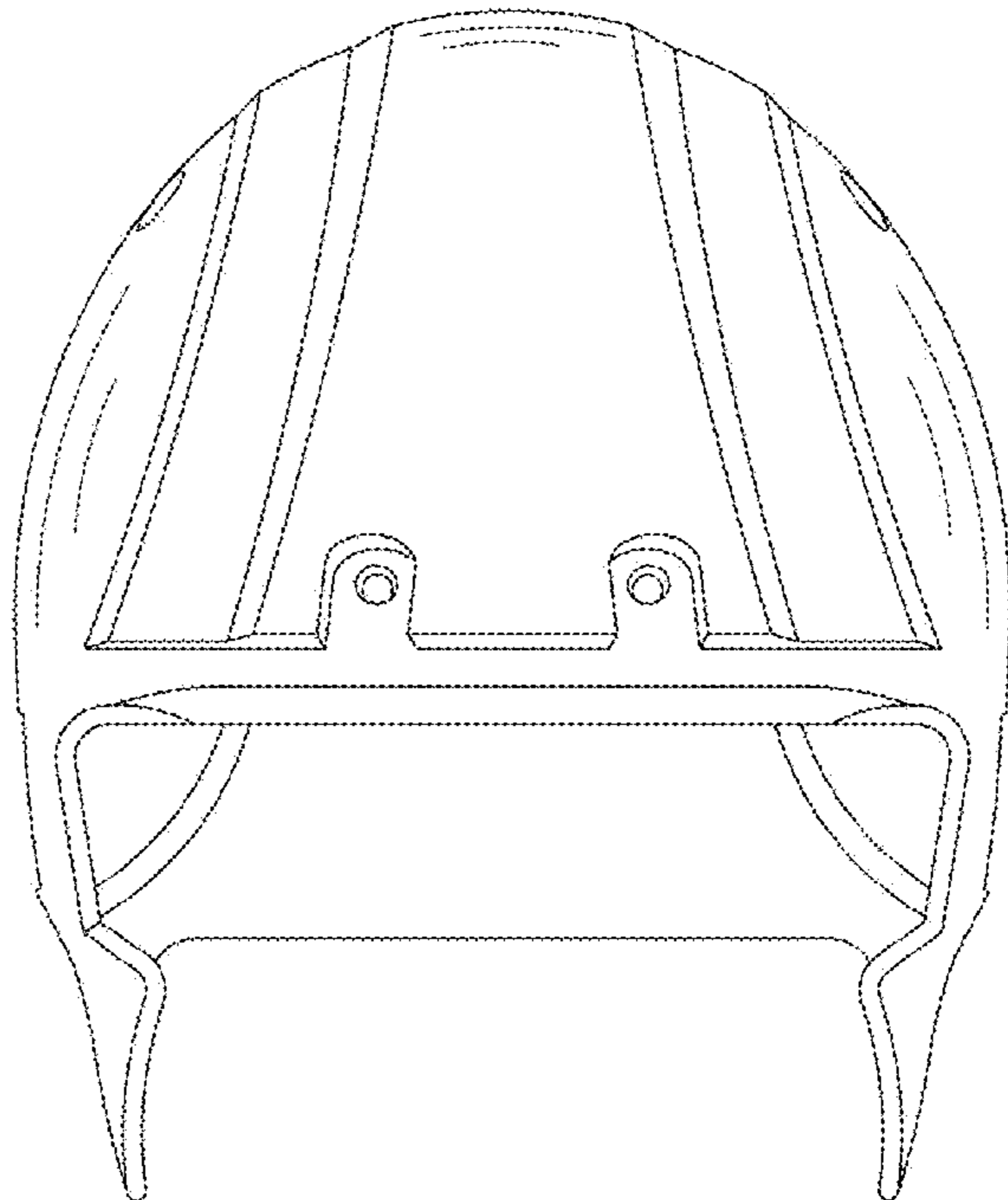
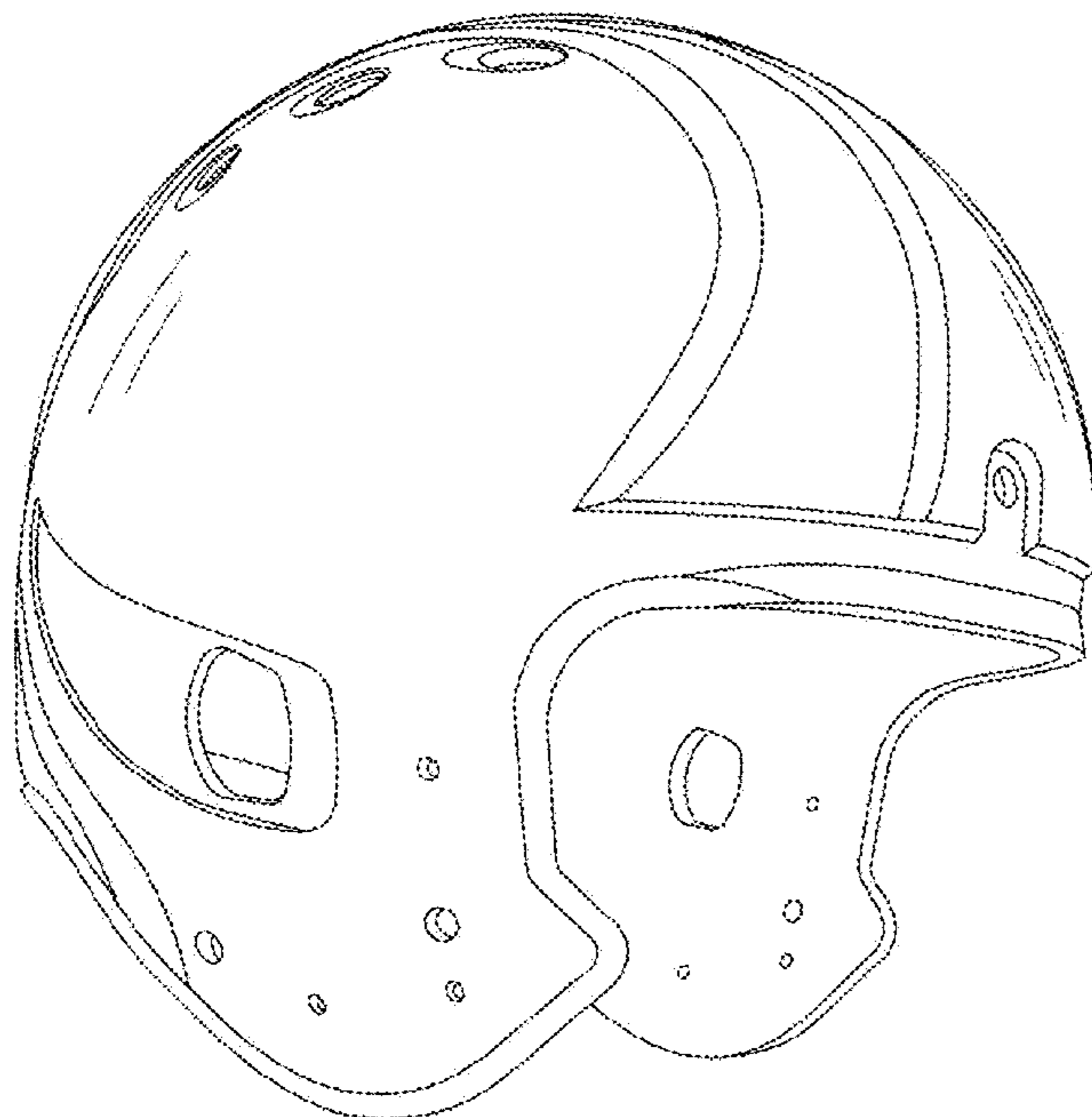
FIG. 3 is a rear elevational view thereof;

FIG. 4 is a top plan view thereof;

FIG. 5 is a bottom plan view thereof; and,

FIG. 6 is a left side elevational view thereof, the right side being a mirror image.

1 Claim, 6 Drawing Sheets



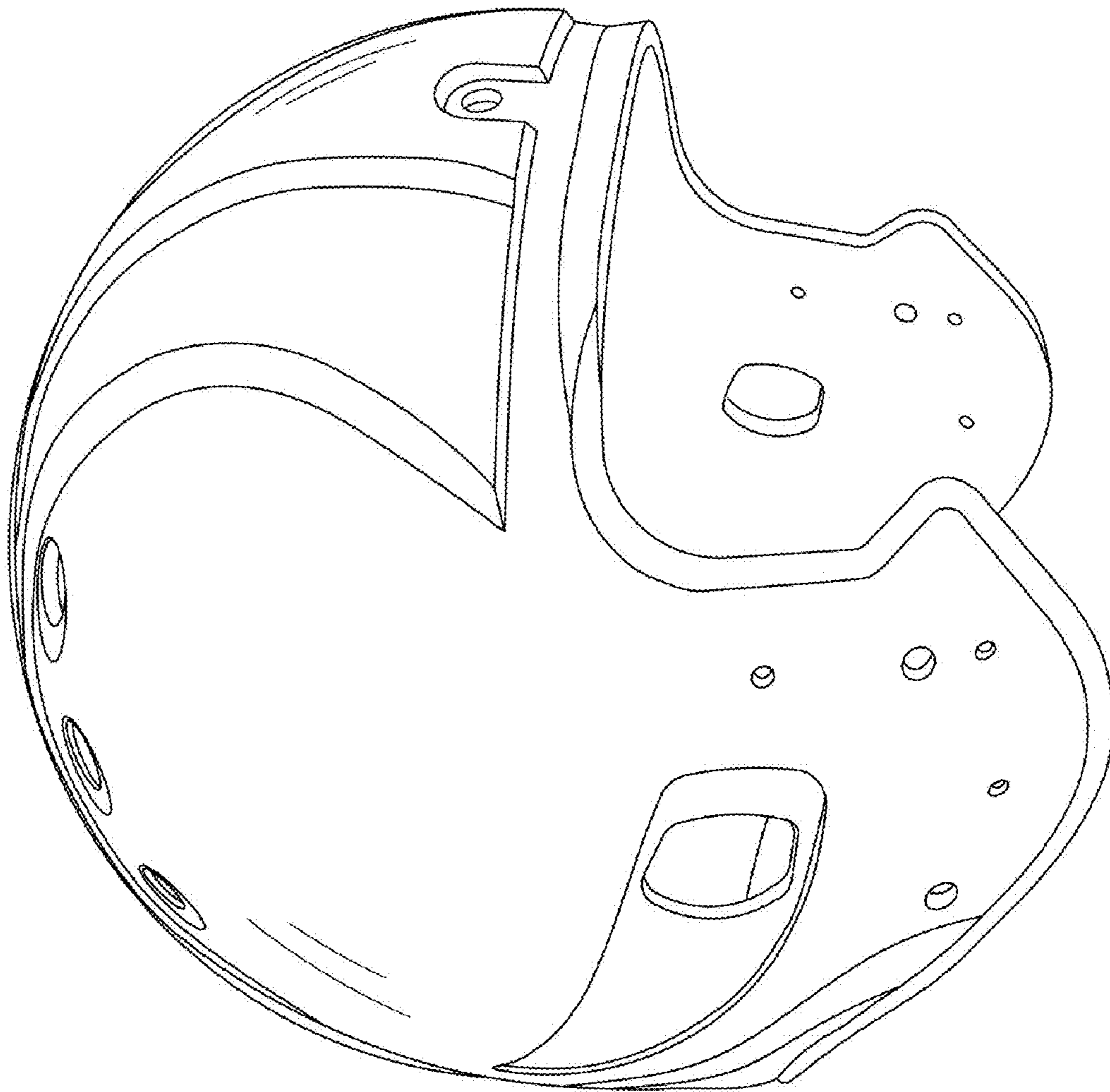


Fig. 1

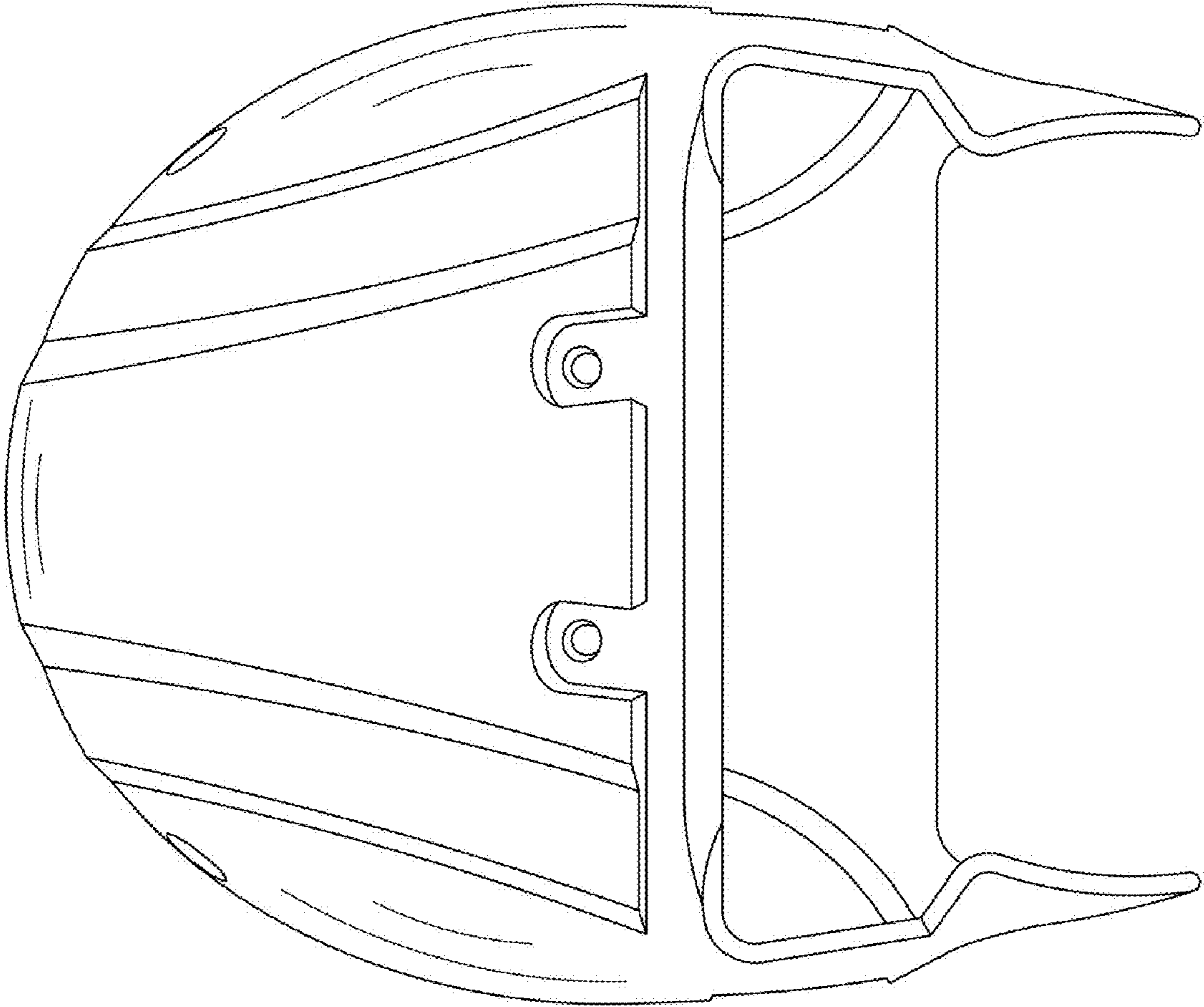


Fig. 2

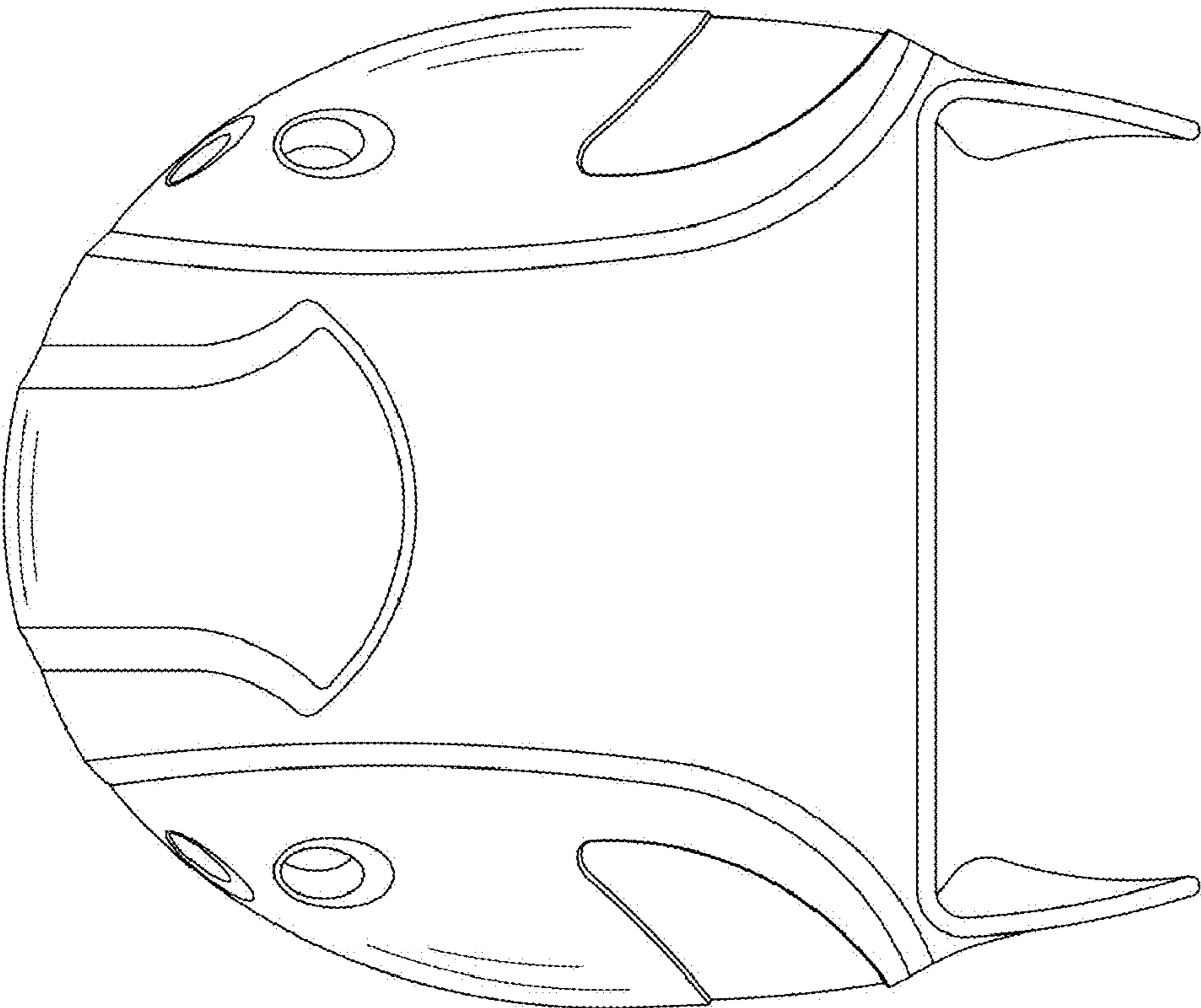


Fig. 3

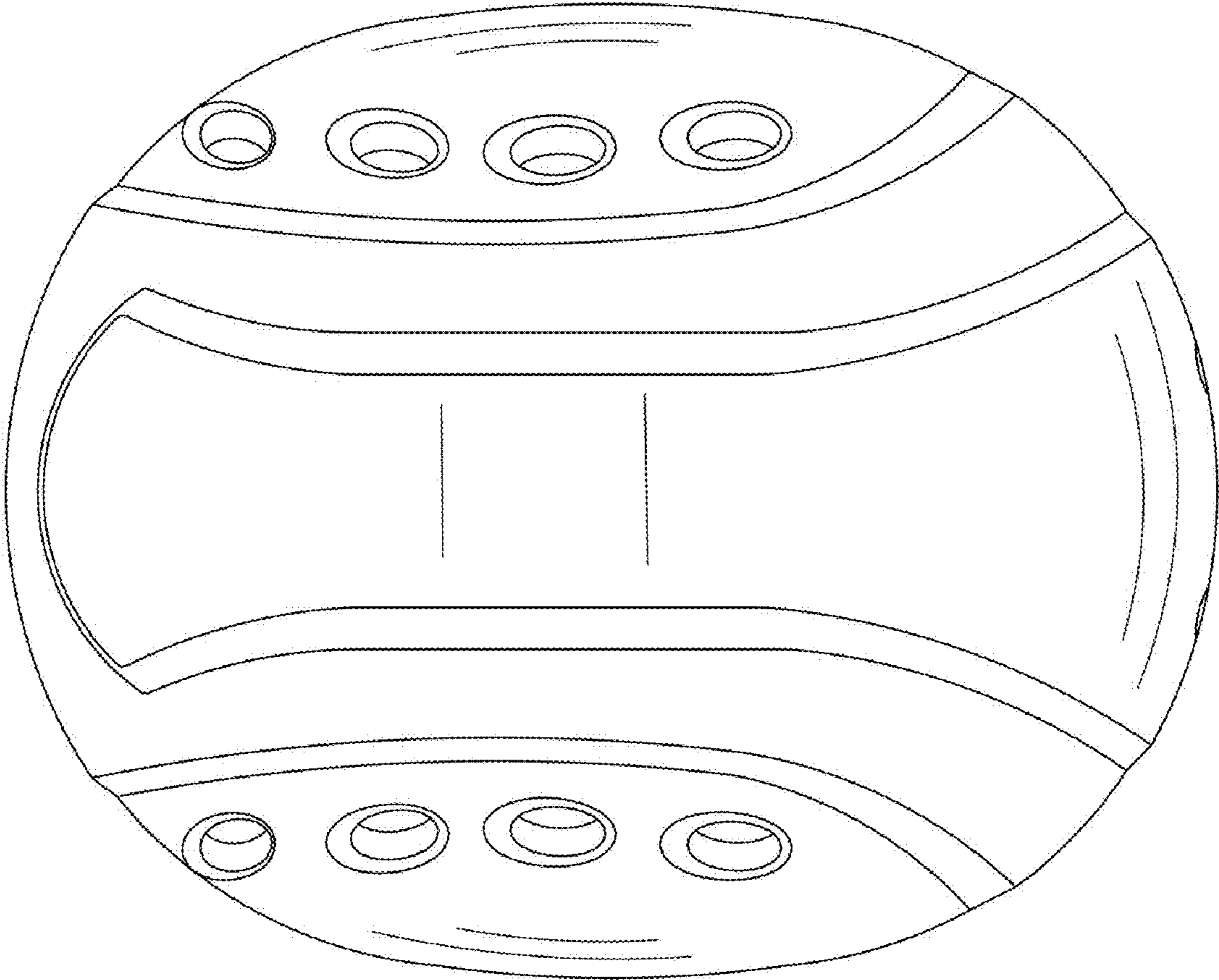


Fig. 4

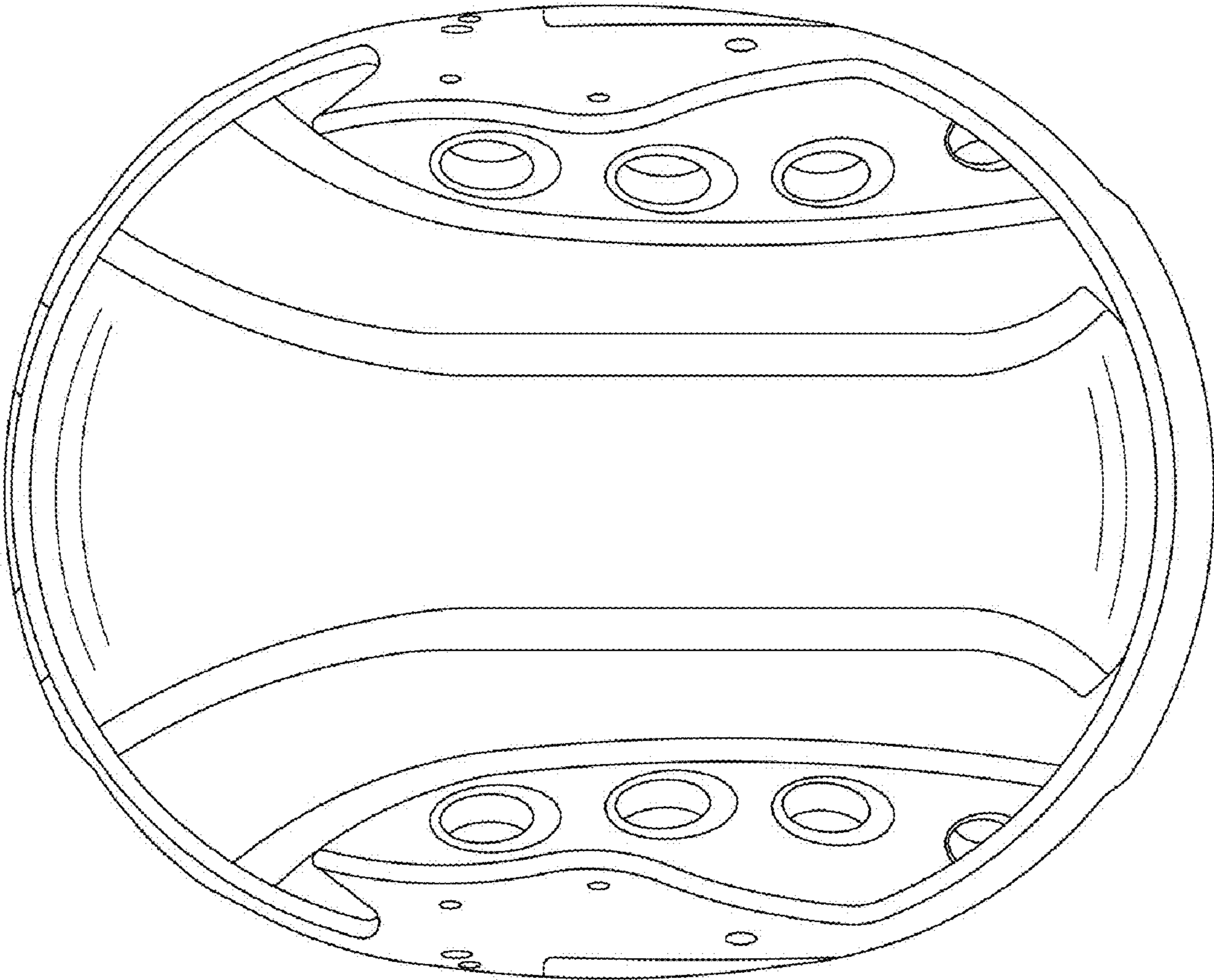


Fig. 5

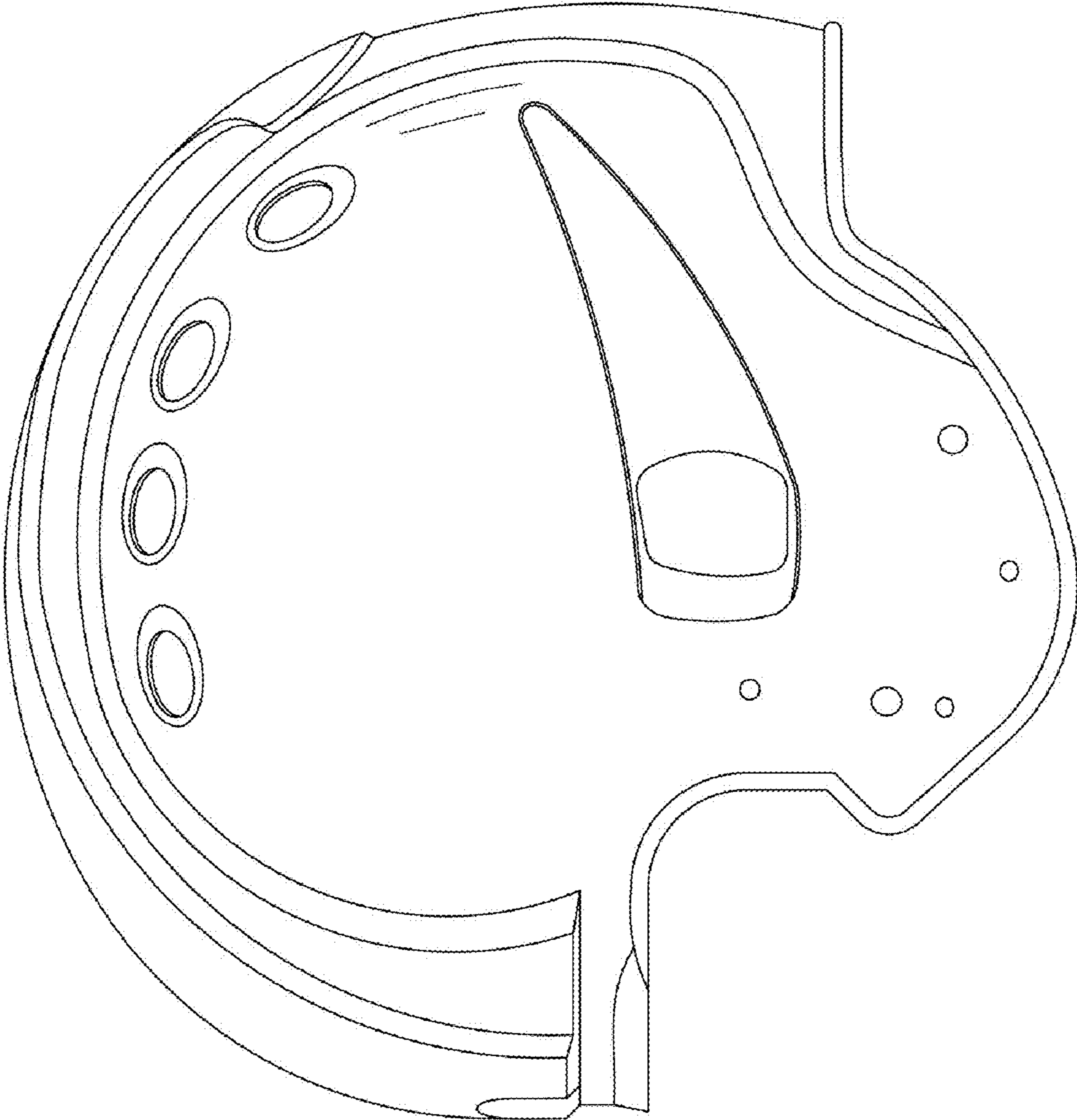


Fig. 6