



US00D625049S

(12) **United States Design Patent**
Bridges et al.

(10) **Patent No.:** **US D625,049 S**

(45) **Date of Patent:** **** Oct. 5, 2010**

(54) **SHAVING RAZOR CARTRIDGE**

D602,634 S * 10/2009 Cataudella et al. D28/46
D611,199 S * 3/2010 Kwiecien et al. D28/47

(75) Inventors: **Kelly Daniel Bridges**, Quincy, MA (US); **Alejandro Carlos Lee**, Cambridge, MA (US); **Carl Phillip Haney**, Newton, MA (US)

* cited by examiner

Primary Examiner—Jennifer Rivard
(74) *Attorney, Agent, or Firm*—John M. Lipchitz; Kevin C. Johnson; Steven W. Miller

(73) Assignee: **The Gillette Company**, Boston, MA (US)

(57) **CLAIM**

(**) Term: **14 Years**

The ornamental design for a shaving razor cartridge, as shown and described.

(21) Appl. No.: **29/343,871**

DESCRIPTION

(22) Filed: **Sep. 21, 2009**

(51) **LOC (9) Cl.** **28-03**

FIG. 1 is a perspective view of a shaving razor cartridge of the present invention;

(52) **U.S. Cl.** **D28/47**

FIG. 2 is a front view thereof;

(58) **Field of Classification Search** D28/44-48;

FIG. 3 is a rear view thereof;

30/32, 34.05, 34.1-34.2, 41, 44-46, 47-51,

FIG. 4 is a right view thereof;

30/57-58, 77-84, 526-539

FIG. 5 is a left view thereof;

See application file for complete search history.

FIG. 6 is a top view thereof; and,

(56) **References Cited**

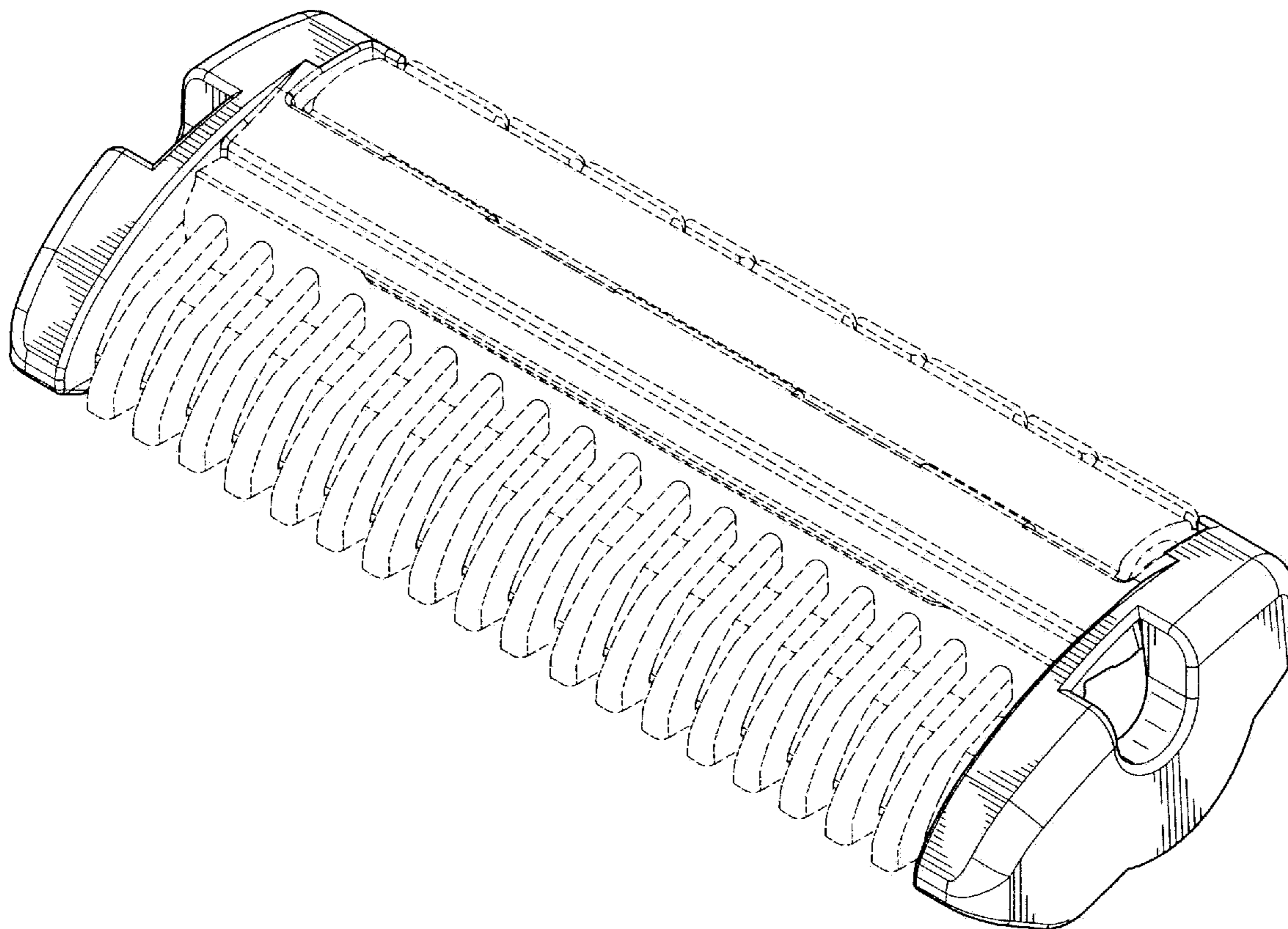
U.S. PATENT DOCUMENTS

FIG. 7 is a bottom view thereof.

The broken lines are shown for illustrative purposes only and form no part of the claimed design.

- 4,970,784 A 11/1990 Althaus et al.
- 5,535,518 A 7/1996 Althaus
- 6,615,498 B1 9/2003 King et al.
- D601,753 S * 10/2009 Cataudella et al. D28/47

1 Claim, 4 Drawing Sheets



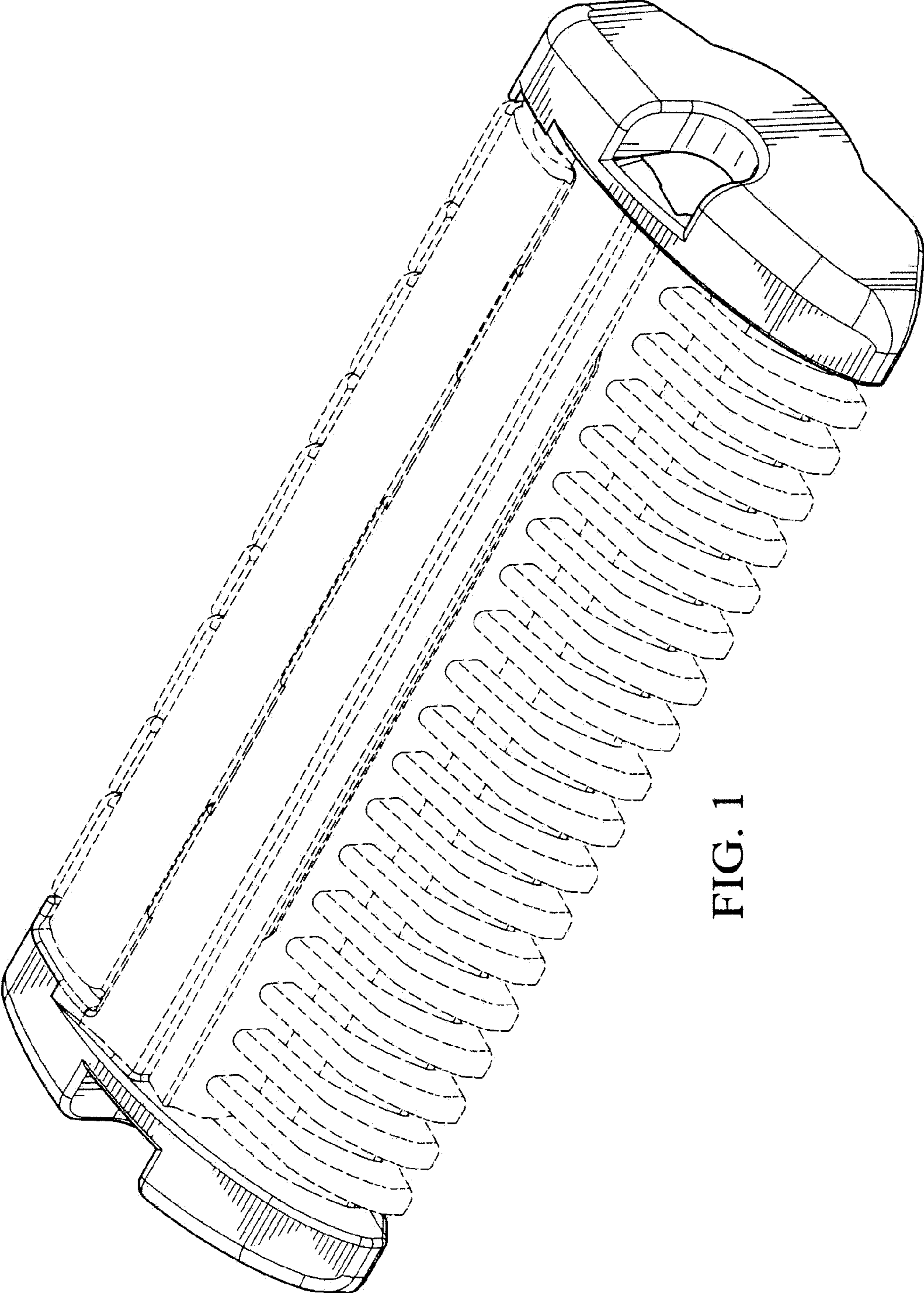


FIG. 1

FIG. 2

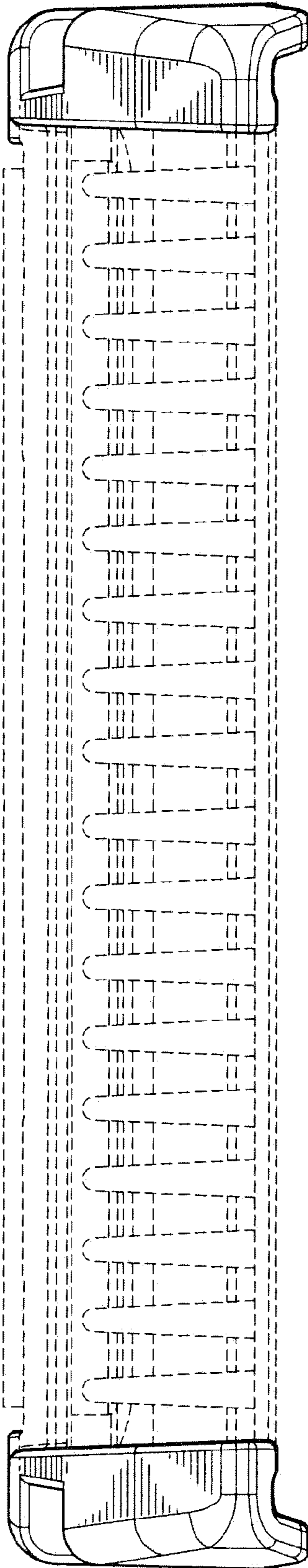


FIG. 3

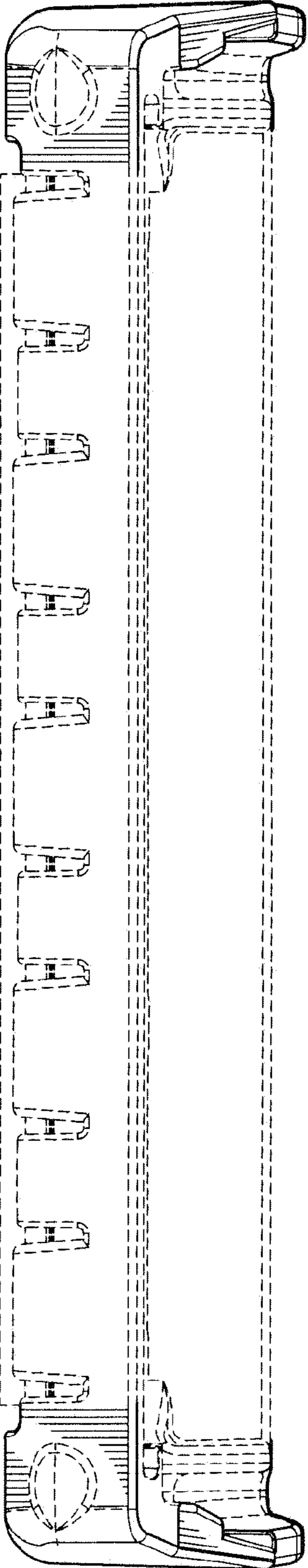


FIG. 5

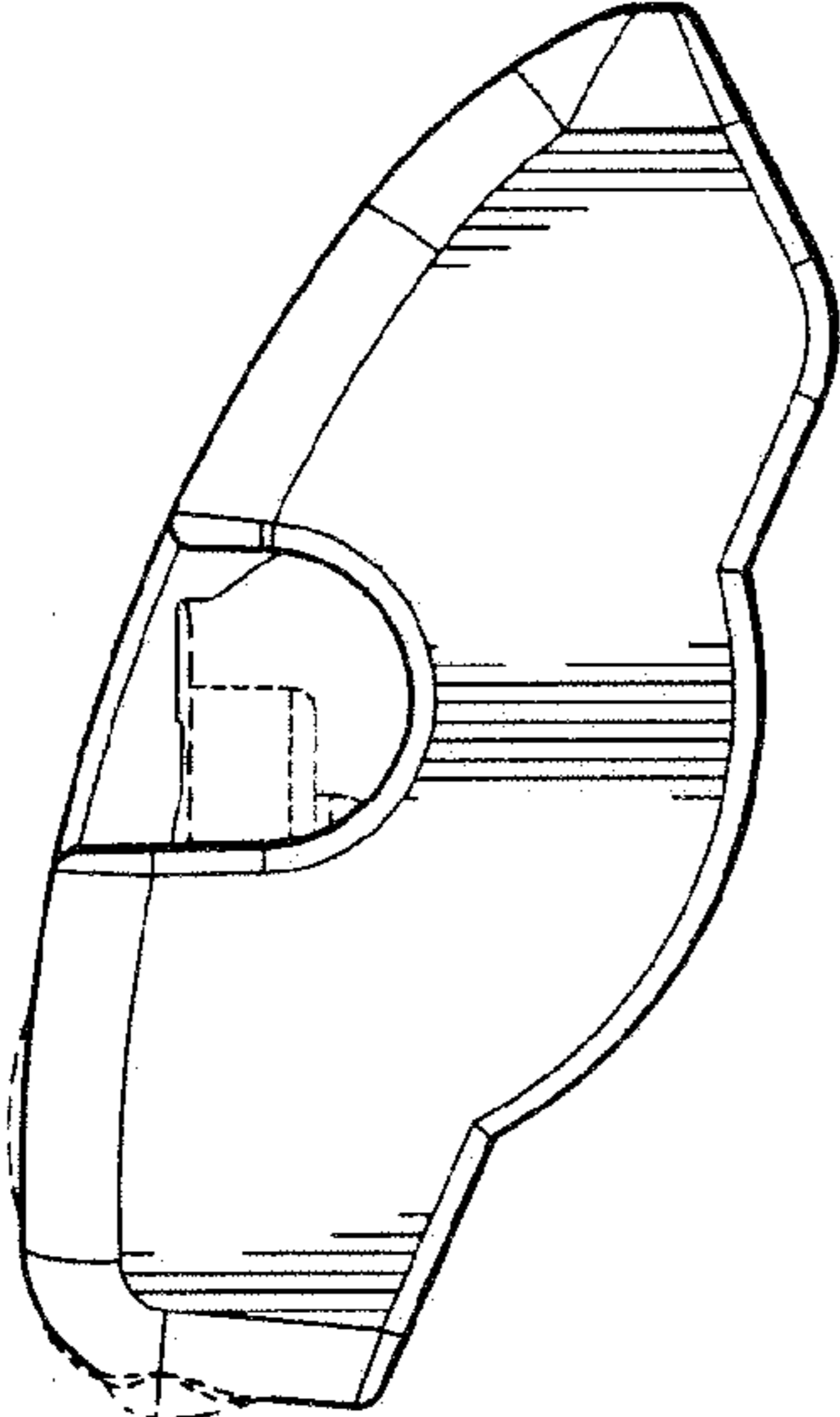


FIG. 4

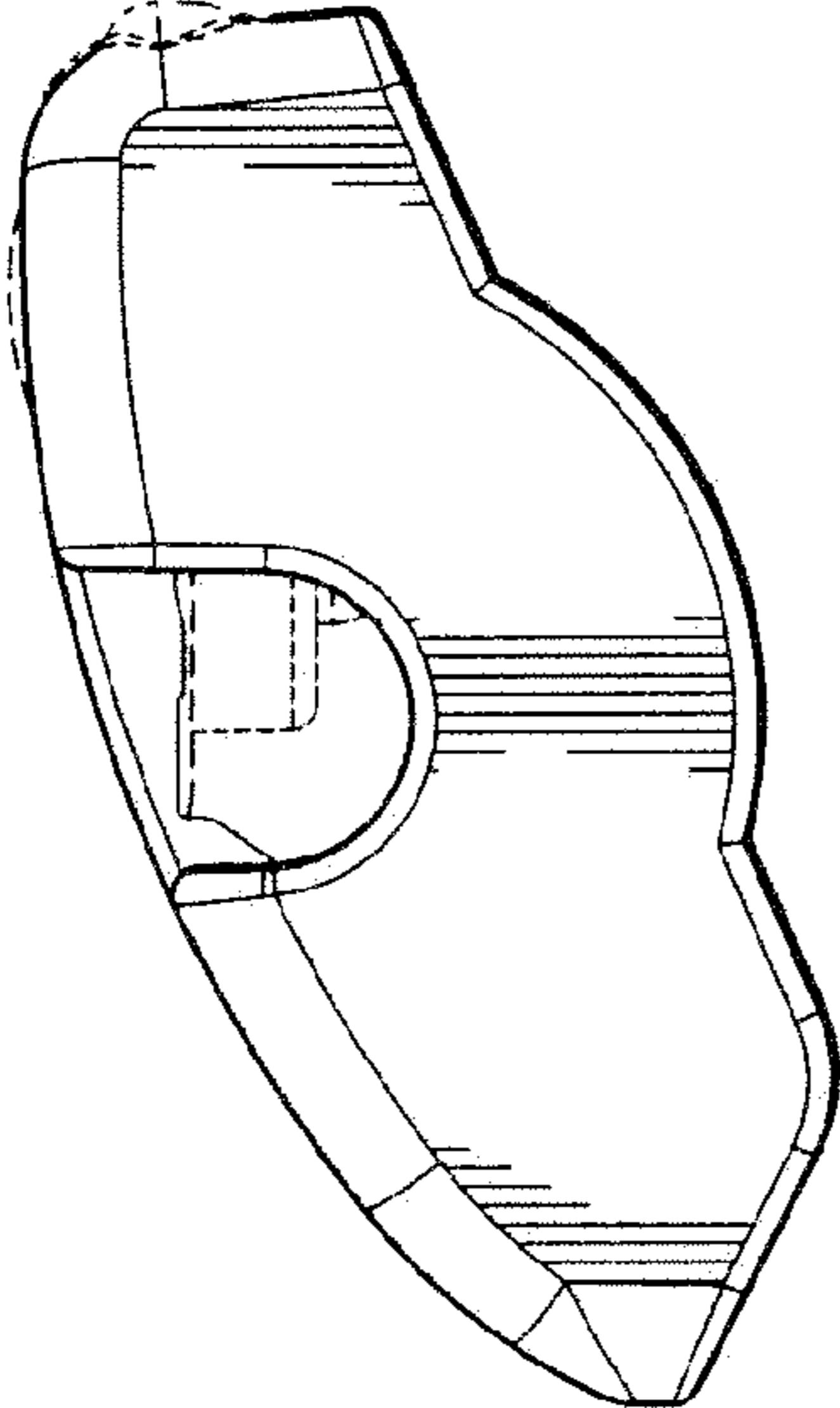


FIG. 6

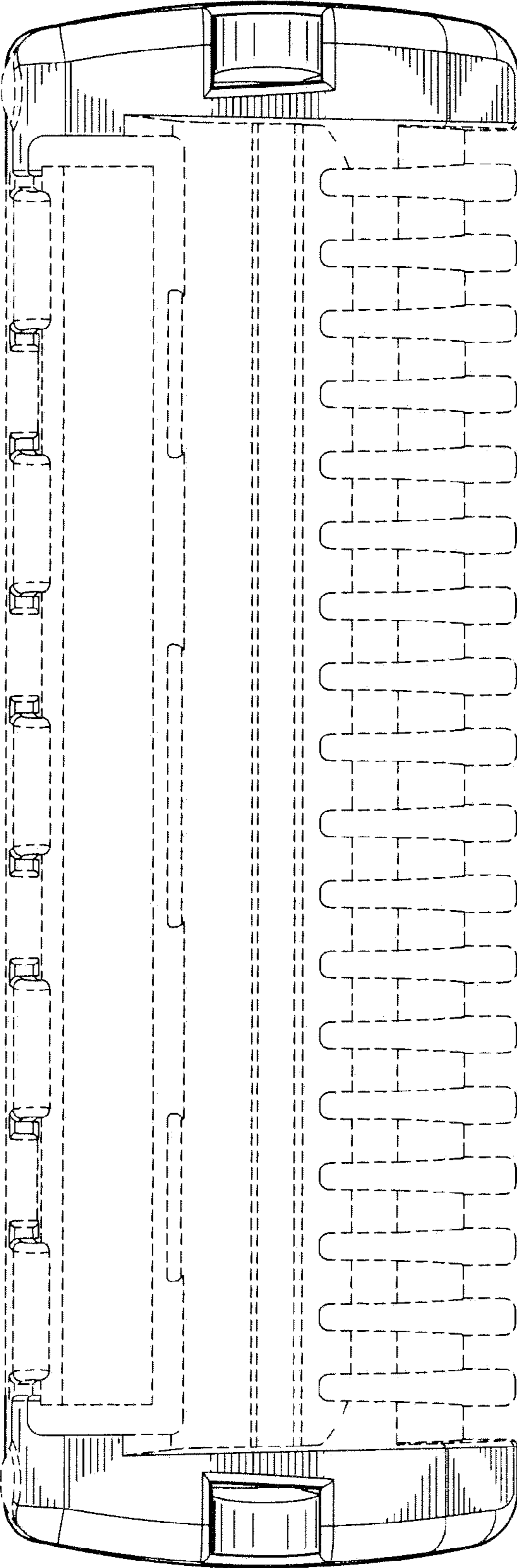


FIG. 7

