



US00D625048S

(12) **United States Design Patent**  
**Mayo et al.**

(10) **Patent No.:** **US D625,048 S**  
(45) **Date of Patent:** **\*\* Oct. 5, 2010**

(54) **HOT IRON**

(75) Inventors: **Zak Denver Haydn Mayo**, Cary, NC  
(US); **Adrian Bradlaw**,  
Shoreham-By-Sea (GB)

(73) Assignee: **Kapow Beauty, LLC**, Cary, NC (US)

(\*\*) Term: **14 Years**

(21) Appl. No.: **29/342,883**

(22) Filed: **Sep. 2, 2009**

(51) **LOC (9) Cl.** ..... **28-03**

(52) **U.S. Cl.** ..... **D28/35**

(58) **Field of Classification Search** ..... D28/35,  
D28/38; 132/223–236; 219/222, 225–227,  
219/242

See application file for complete search history.

(56) **References Cited**

U.S. PATENT DOCUMENTS

D480,836 S *	10/2003	Kaizuka	.....	D28/35
D504,977 S *	5/2005	Caicedo	.....	D28/35
D511,023 S	10/2005	Cho		
D526,087 S *	8/2006	Seizer	.....	D28/35
7,178,532 B2	2/2007	Kayser		
D544,646 S	6/2007	Overend		
D559,447 S	1/2008	Leung		
D559,448 S	1/2008	Leung		
D561,936 S	2/2008	Leung		
D567,440 S	4/2008	Migliori et al.		
D596,789 S	7/2009	Rizzuto		
D596,790 S	7/2009	Rizzuto		

D596,791 S	7/2009	Russo		
D605,360 S *	12/2009	Kwok	.....	D28/35
D606,252 S *	12/2009	Leung	.....	D28/35
2009/0084396 A1	4/2009	Jerome et al.		
2009/0107518 A1	4/2009	Cohen		
2009/0114240 A1	5/2009	Leung		

FOREIGN PATENT DOCUMENTS

WO 2008052210 A2 5/2008

\* cited by examiner

*Primary Examiner*—Jennifer Rivard

(74) *Attorney, Agent, or Firm*—Edell, Shapiro & Finnan LLC

(57) **CLAIM**

The ornamental design for a hot iron, as shown and described.

**DESCRIPTION**

FIG. 1 is a front perspective view of a hot iron in a closed orientation according to the invention;

FIG. 2 is a rear perspective view of the hot iron of FIG. 1 in an open orientation;

FIG. 3 is a top view of the hot iron of FIG. 1;

FIG. 4 is a bottom view of the hot iron of FIG. 1;

FIG. 5 is a right side view of the hot iron of FIG. 1;

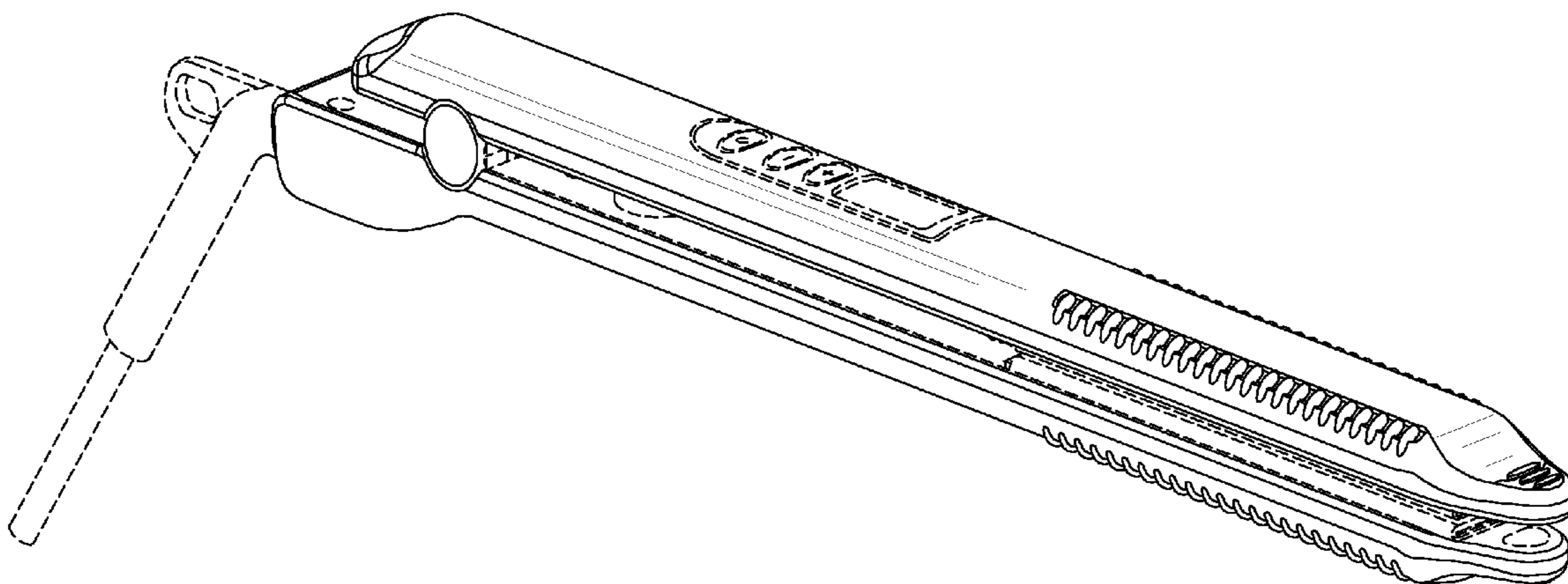
FIG. 6 is a left side view of the hot iron of FIG. 1;

FIG. 7 is a front view of the hot iron of FIG. 1; and,

FIG. 8 is a rear view of the hot iron of FIG. 1.

The broken lines shown in the drawings illustrate portions of the article and form no part of the claimed design.

**1 Claim, 5 Drawing Sheets**



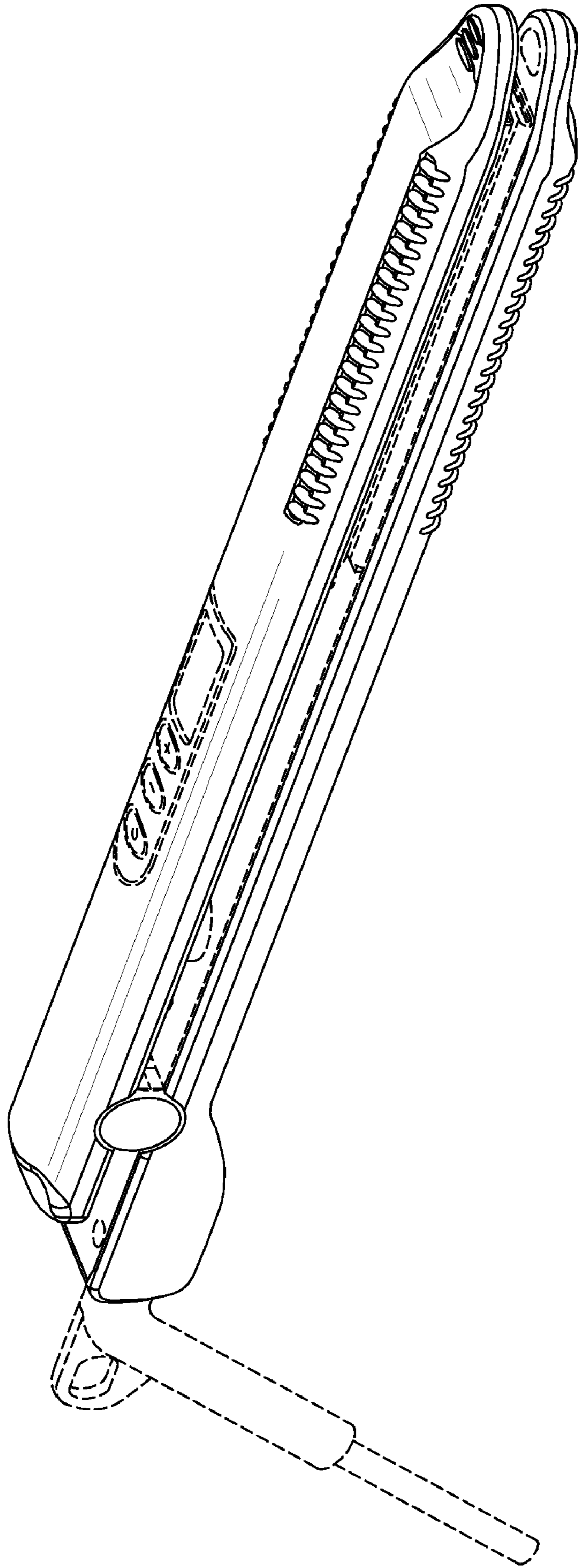


FIG.1

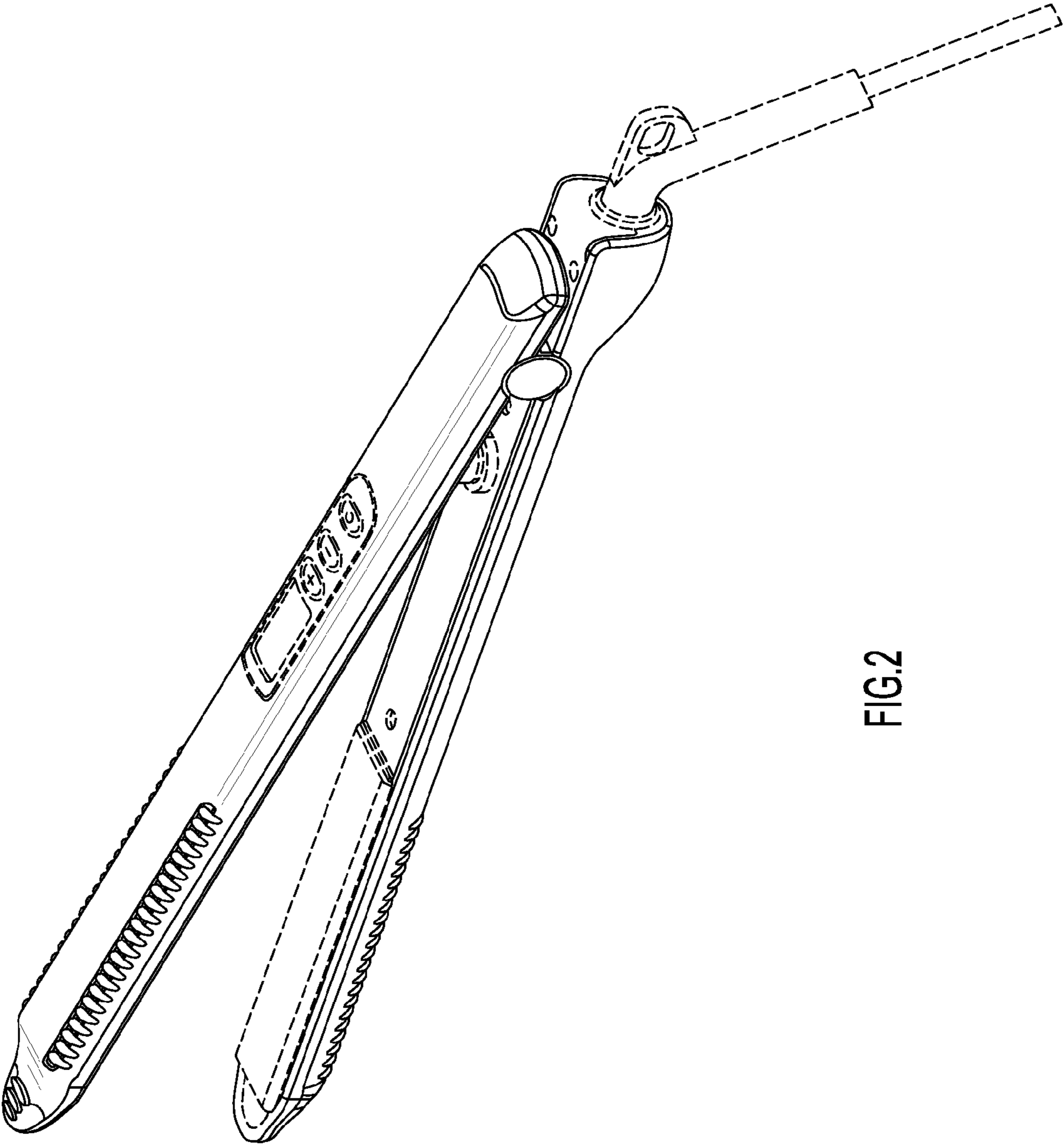


FIG.2

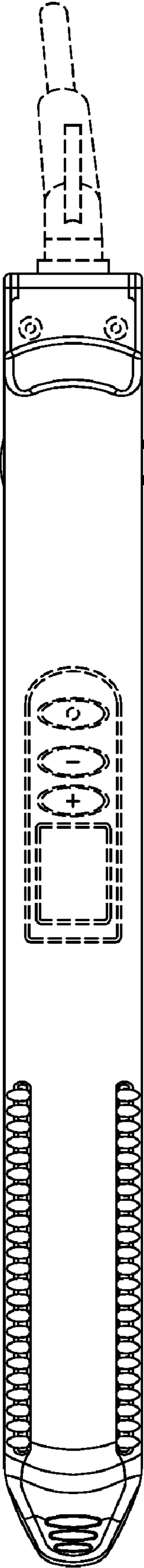


FIG.3

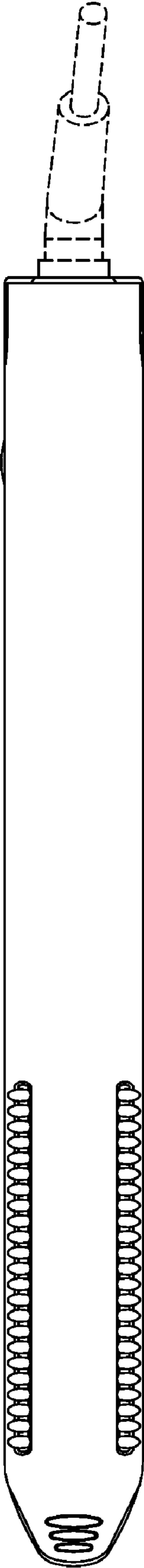


FIG.4

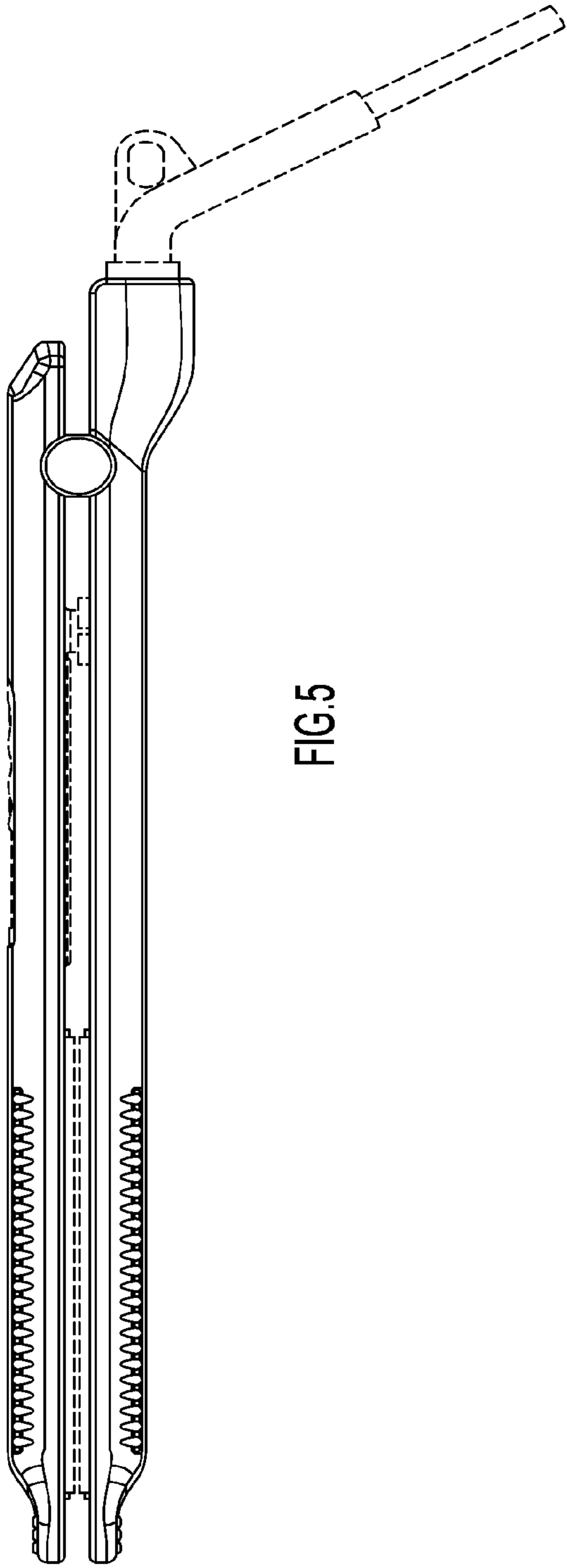


FIG. 5

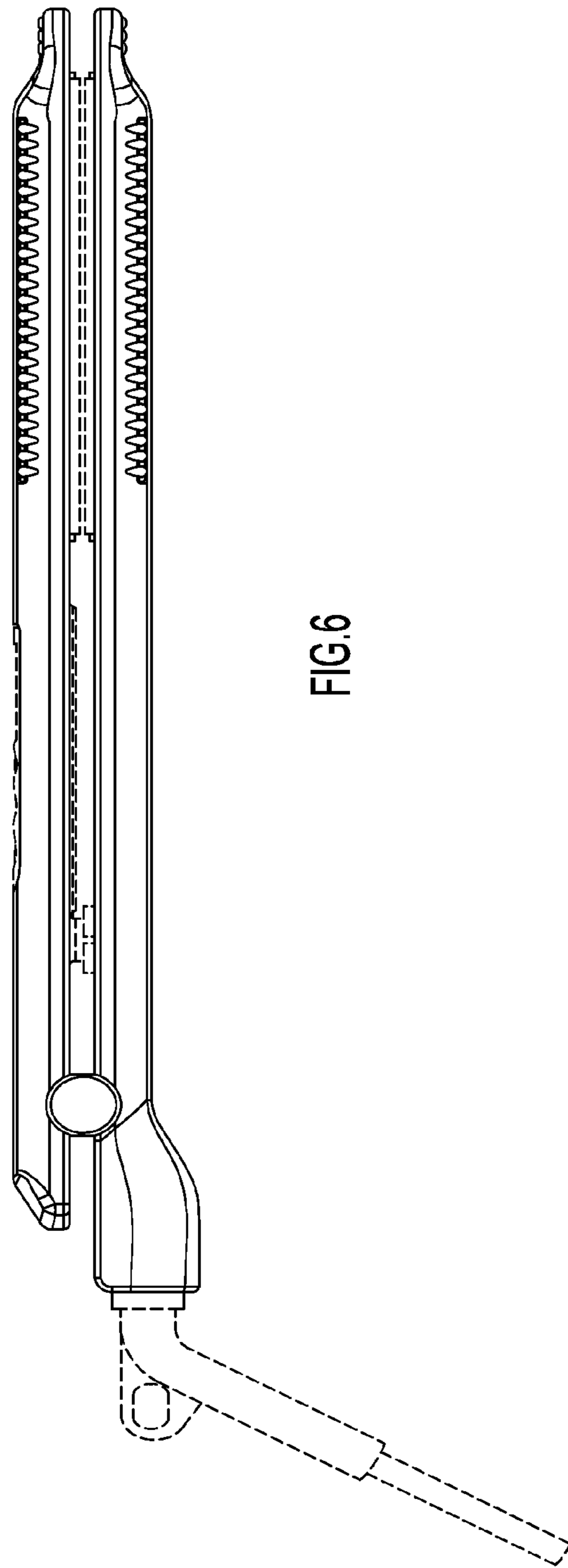


FIG. 6

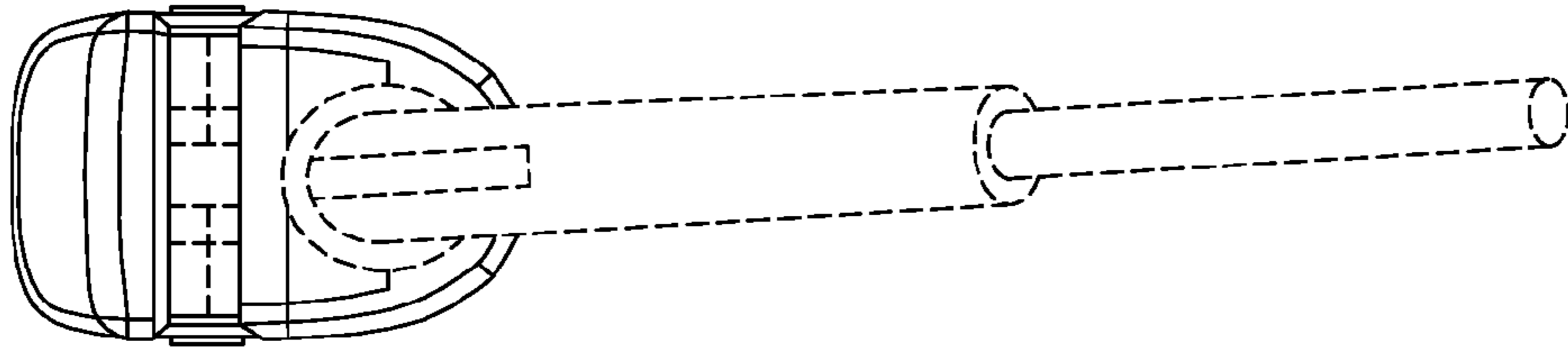


FIG. 8

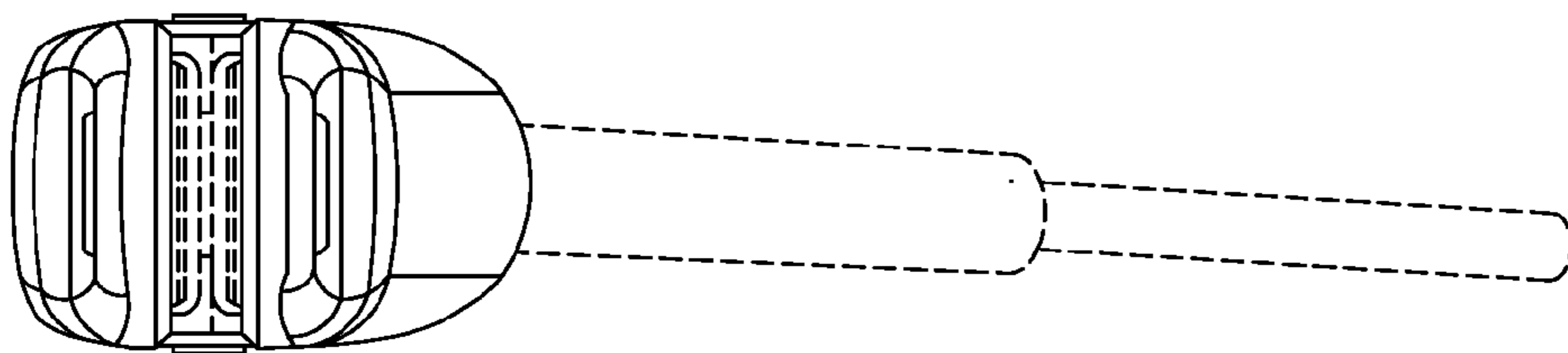


FIG. 7