



US00D625047S

(12) **United States Design Patent**
Gibson et al.

(10) **Patent No.:** **US D625,047 S**

(45) **Date of Patent:** **** Oct. 5, 2010**

(54) **TOBACCO BOX**

(75) Inventors: **Paul Gibson**, London (GB); **Aaron McKenzie**, London (GB)

(73) Assignee: **British American Tobacco (Investments) Limited**, London (GB)

(**) Term: **14 Years**

(21) Appl. No.: **29/332,981**

(22) Filed: **Feb. 27, 2009**

(30) **Foreign Application Priority Data**

Aug. 29, 2008 (EM) 000996269-001
Aug. 29, 2008 (EM) 000996269-002
Aug. 29, 2008 (EM) 000996269-003

(51) **LOC (9) Cl.** **27-04**

(52) **U.S. Cl.** **D27/183; D27/186; D27/189**

(58) **Field of Classification Search** D27/172,
D27/183, 186, 189, 190; 131/329; 206/242;
D9/504

See application file for complete search history.

(56) **References Cited**

U.S. PATENT DOCUMENTS

D2,961 S * 3/1868 Bull D27/190

D3,443 S * 4/1869 Parker D27/190
D114,760 S * 5/1939 Johnson D27/189
D120,559 S * 5/1940 Vendig D27/189
D398,716 S * 9/1998 Schoen D27/189
D494,474 S * 8/2004 Houk et al. D9/504
D563,596 S * 3/2008 Neias D27/189
D599,953 S * 9/2009 Gibson et al. D27/190

* cited by examiner

Primary Examiner—Dominic Simone

(74) *Attorney, Agent, or Firm*—Chadbourne & Parke LLP;
Walter G. Hanchuk

(57) **CLAIM**

The ornamental design for tobacco box, as shown and described.

DESCRIPTION

FIG. 1 provides an above front perspective view showing the new design of a tobacco box;

FIG. 2 provides an above front exploded view thereof;

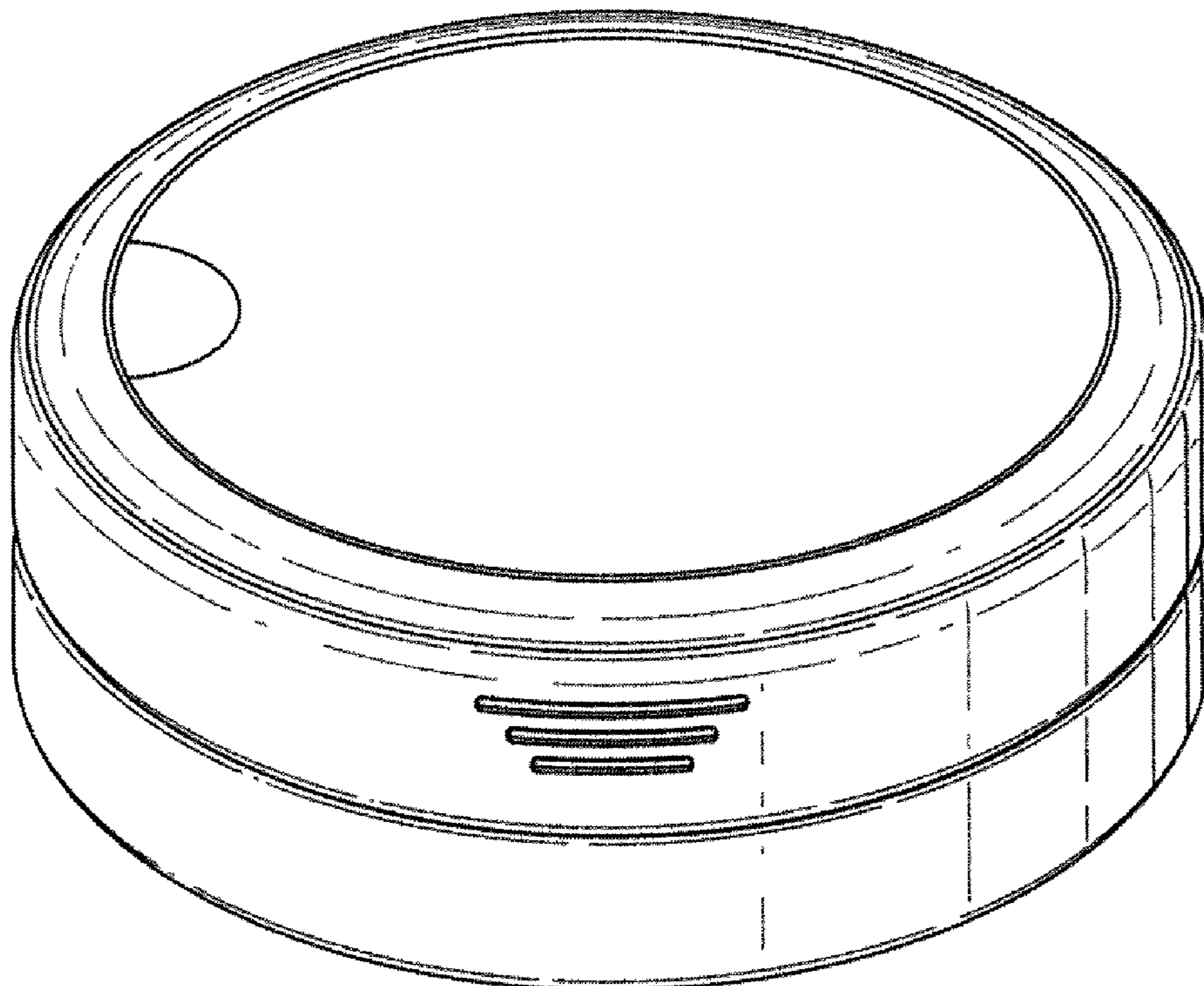
FIG. 3 provides an above view thereof;

FIG. 4 provides a below view thereof;

FIG. 5 provides a rear view thereof; and,

FIG. 6 provides a front view thereof.

1 Claim, 3 Drawing Sheets



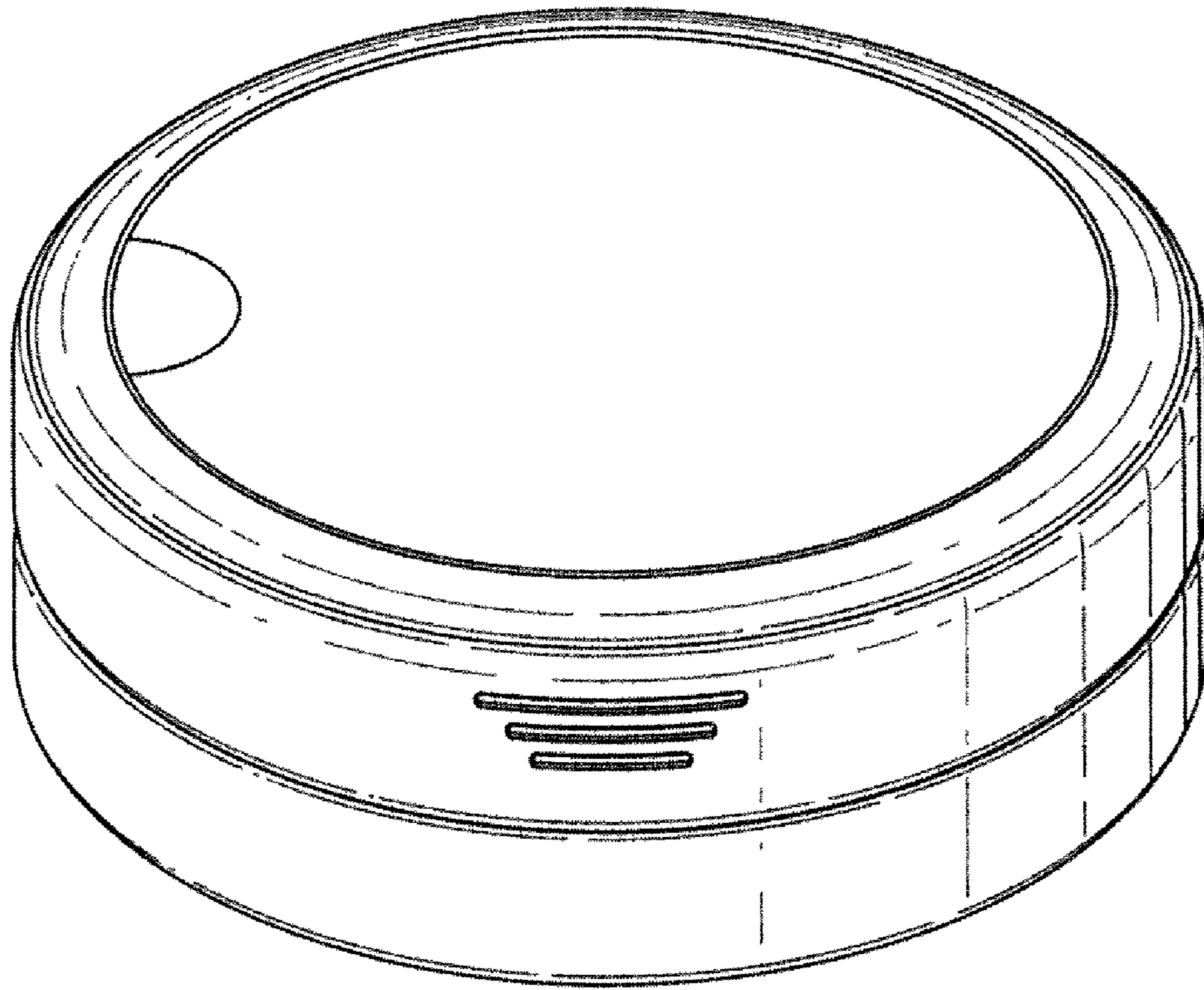


Fig. 1

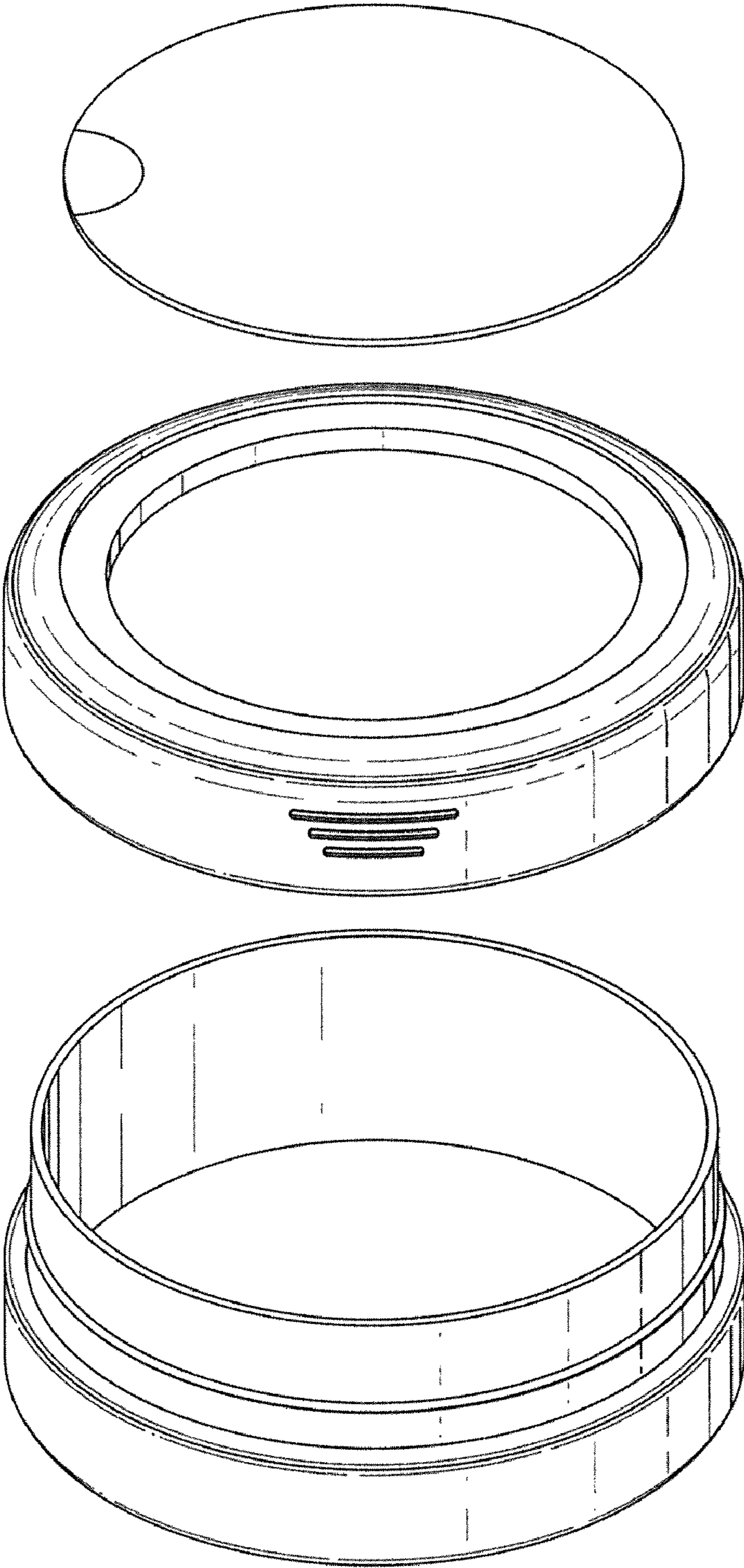


Fig. 2

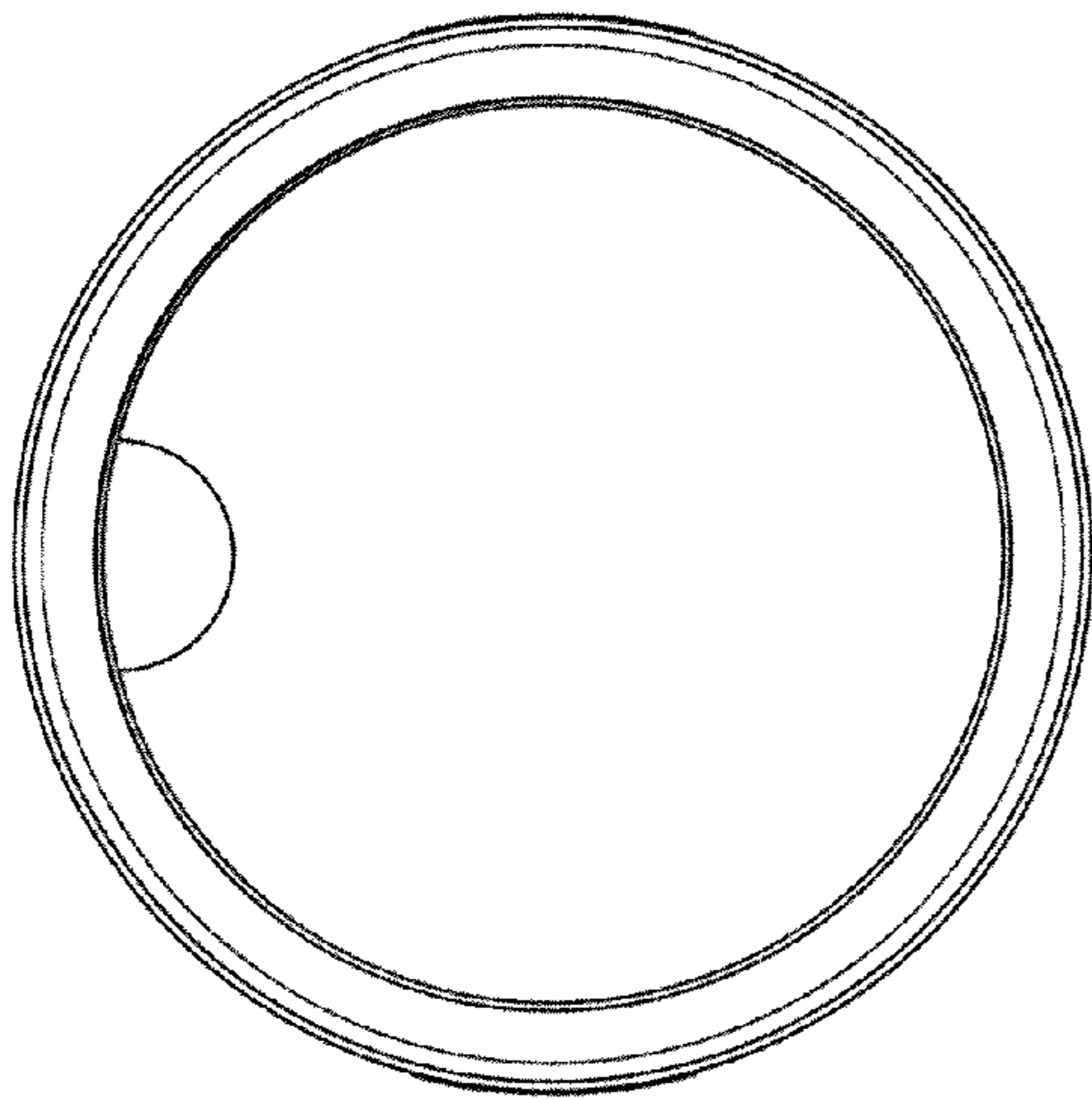


Fig. 3

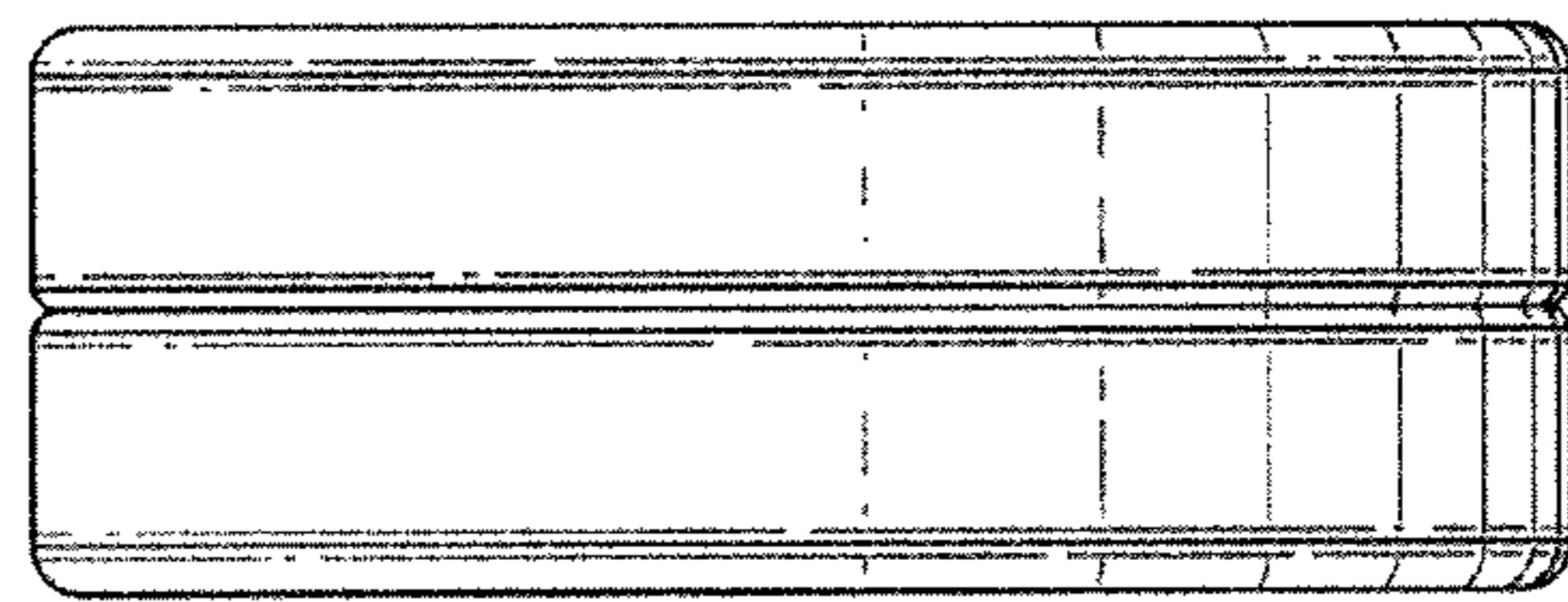


Fig. 5

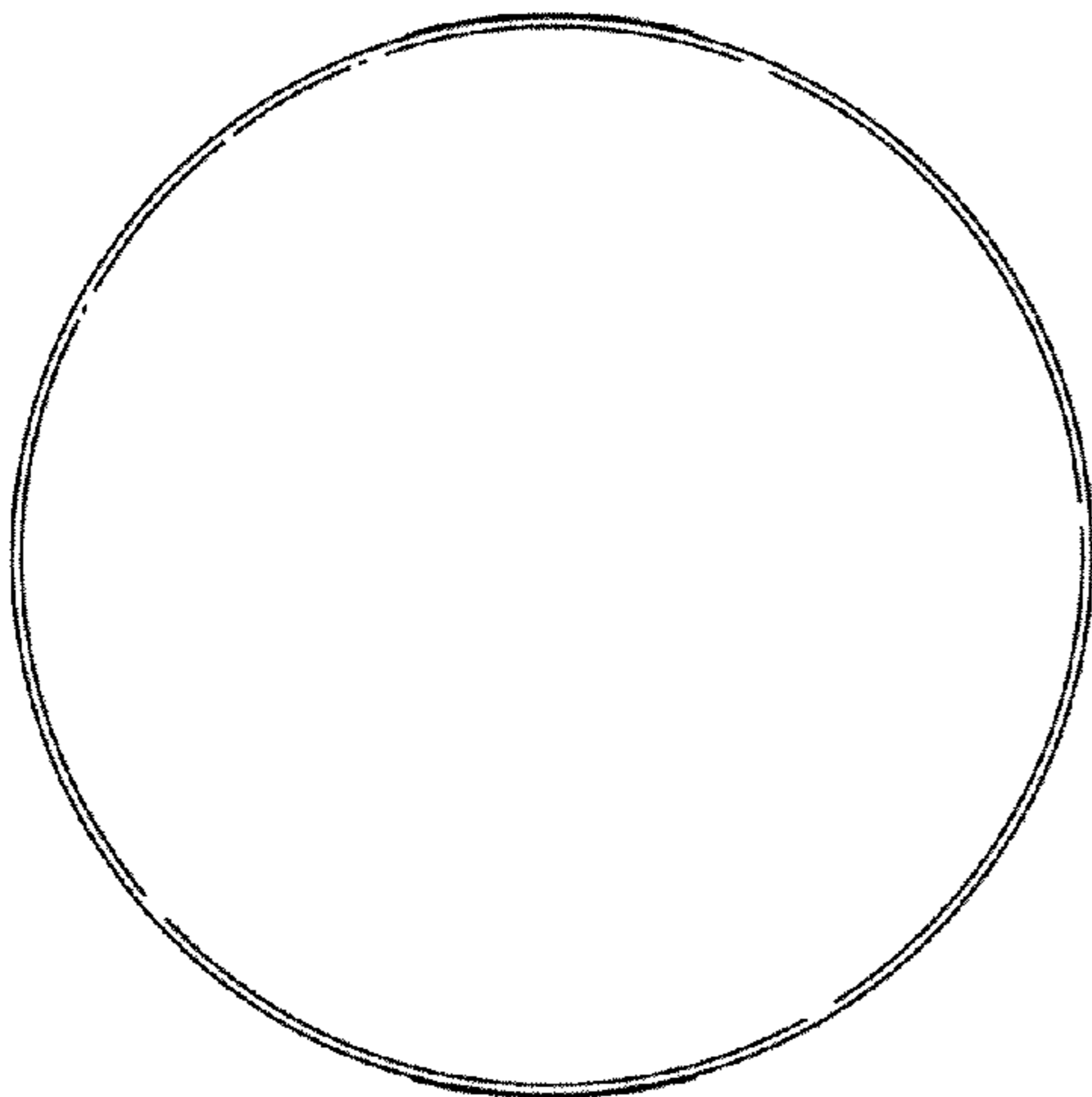


Fig. 4

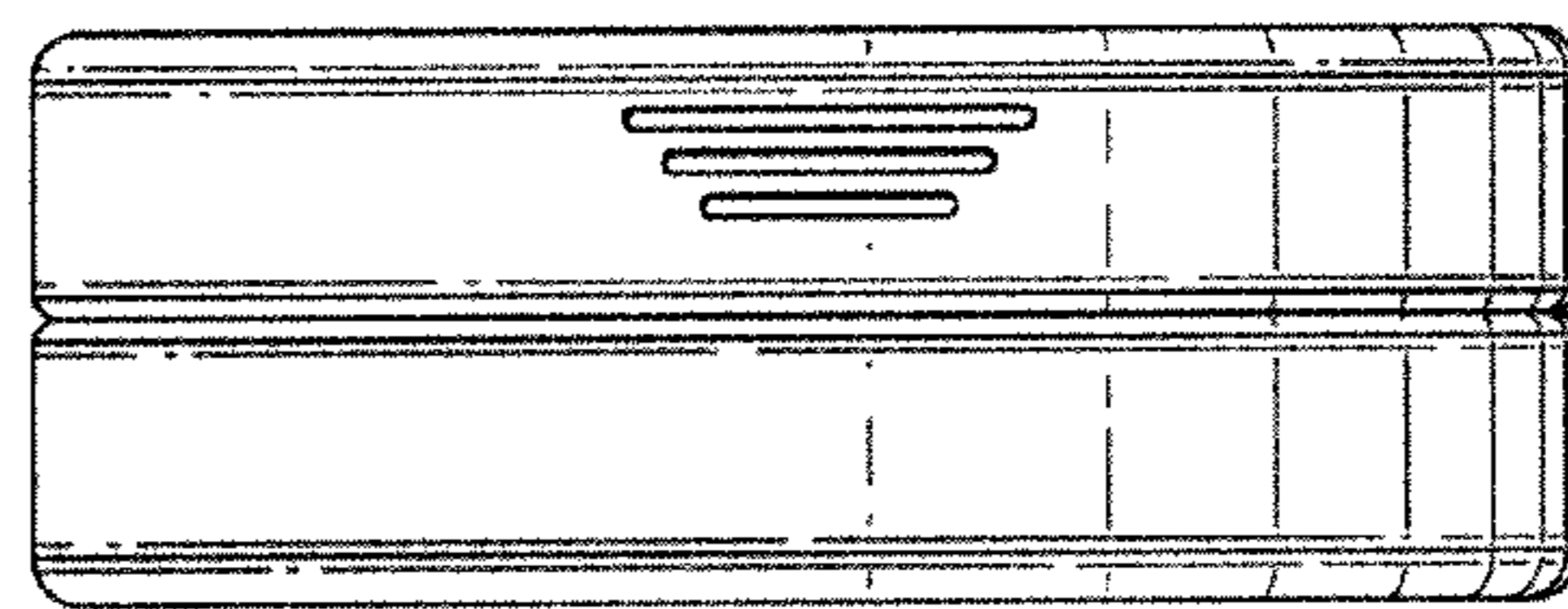


Fig. 6