

US00D625046S

(12) **United States Design Patent**  
**Liu et al.**

(10) **Patent No.:** **US D625,046 S**  
(45) **Date of Patent:** **\*\* Oct. 5, 2010**

- (54) **LED LENS**
  - (75) Inventors: **Tay-Jian Liu**, Taipei Hsien (TW); **Lin Yang**, Shenzhen (CN)
  - (73) Assignee: **Foxconn Technology Co., Ltd.**, Tu-Cheng, Taipei Hsien (TW)
  - (\*\*) Term: **14 Years**
  - (21) Appl. No.: **29/352,920**
  - (22) Filed: **Dec. 29, 2009**
  - (51) **LOC (9) Cl.** ..... **26-99**
  - (52) **U.S. Cl.** ..... **D26/128**
  - (58) **Field of Classification Search** ..... D26/120, D26/144, 88, 71, 152, 124, 113, 118, 128, D26/135, 121, 25, 27, 72, 78, 132, 137, 74, D26/77, 80, 85, 86, 90, 119, 122, 123, 125, D26/127, 129, 130, 83, 28; D16/135, 101; D10/121; D8/353; D13/156, 180, 133, 110, D13/147, 134; 362/364, 365, 147, 235, 257, 362/290, 296, 330, 335, 351, 354, 355, 404; 439/552, 121
- See application file for complete search history.

- 7,270,449 B2 \* 9/2007 Uke ..... 362/350
- D563,588 S \* 3/2008 Mullen ..... D26/85
- D567,773 S \* 4/2008 Kamada ..... D13/180
- D586,935 S \* 2/2009 Lassen ..... D26/72
- 7,497,601 B2 \* 3/2009 Uke ..... 362/350
- 7,554,742 B2 \* 6/2009 Chinniah et al. .... 359/641
- D596,592 S \* 7/2009 Yong et al. .... D13/180
- D602,177 S \* 10/2009 Hamanaka et al. .... D26/1
- D602,613 S \* 10/2009 Hamanaka et al. .... D26/1
- 7,618,163 B2 \* 11/2009 Wilcox ..... 362/336
- 2008/0203412 A1 \* 8/2008 Shyu et al. .... 257/98

\* cited by examiner

*Primary Examiner*—Cathron C Brooks

*Assistant Examiner*—Kevin K Rudzinski

(74) *Attorney, Agent, or Firm*—Frank R. Niranjan

(57) **CLAIM**

The ornamental design for an LED lens, as shown and described.

**DESCRIPTION**

FIG. 1 is a perspective view of an LED lens showing our new design.

FIG. 2 is a front elevational view thereof, the rear elevational view being a mirror image of FIG. 2.

FIG. 3 is a left-side, elevational view thereof, the right-side, elevational view being a mirror image of FIG. 3.

FIG. 4 is a top plan view thereof.

FIG. 5 is a bottom plan view thereof.

FIG. 6 is a cross-sectional view thereof, taken along line 6-6 of FIG. 4; and,

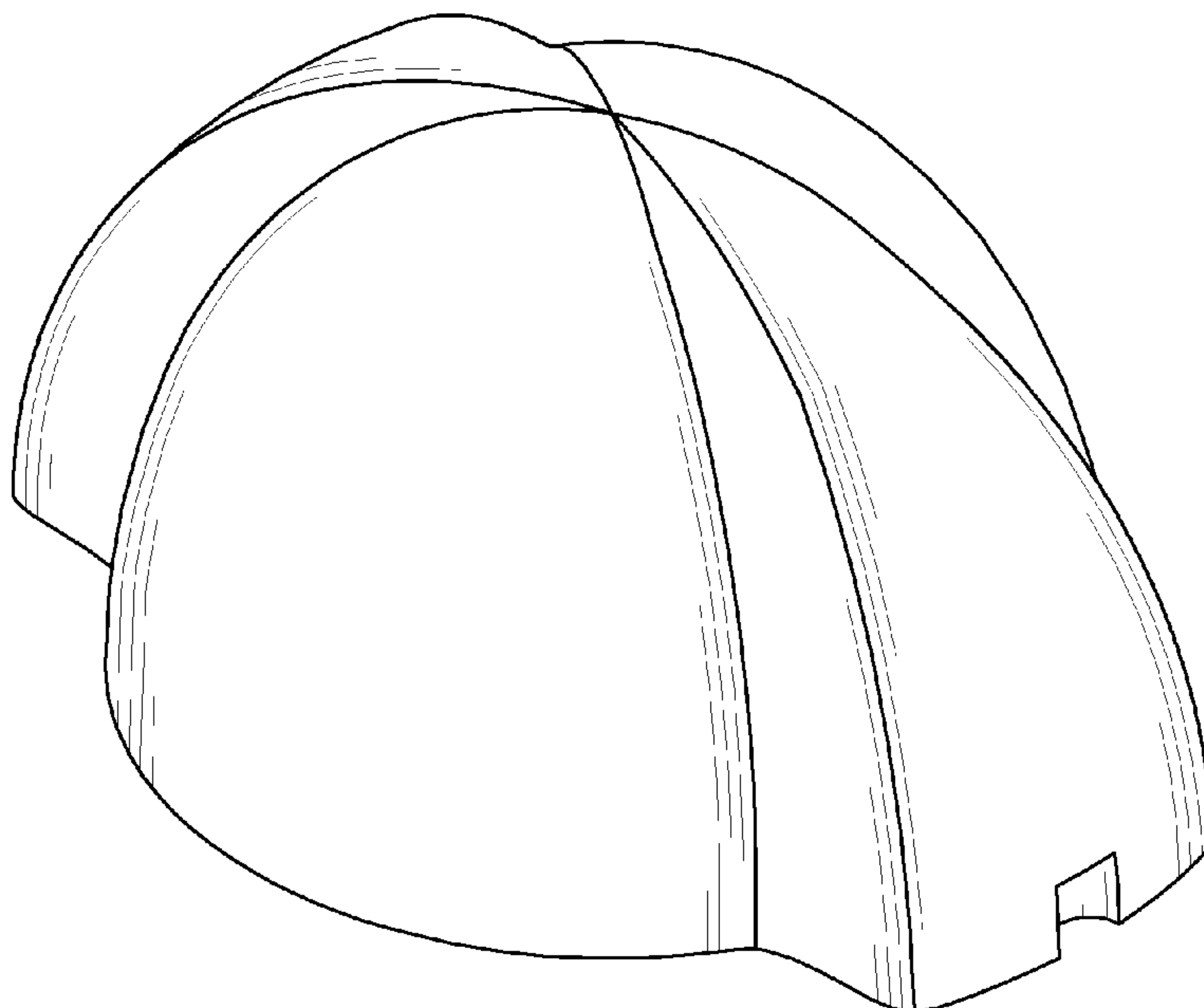
FIG. 7 is a cross-sectional view thereof, taken along line 7-7 of FIG. 4.

(56) **References Cited**

U.S. PATENT DOCUMENTS

- D126,993 S \* 5/1941 Trautner ..... D26/36
- D171,632 S \* 3/1954 Atwood et al. .... D26/128
- D255,883 S \* 7/1980 Ferenc ..... D10/121
- D283,555 S \* 4/1986 Levi ..... D26/85
- D297,717 S \* 9/1988 Chu ..... D10/104
- D346,869 S \* 5/1994 Houssian ..... D26/26
- 5,893,633 A \* 4/1999 Uchio et al. .... 362/244
- D483,511 S \* 12/2003 Lay et al. .... D26/80
- D491,897 S \* 6/2004 Kamada ..... D13/180

**1 Claim, 7 Drawing Sheets**



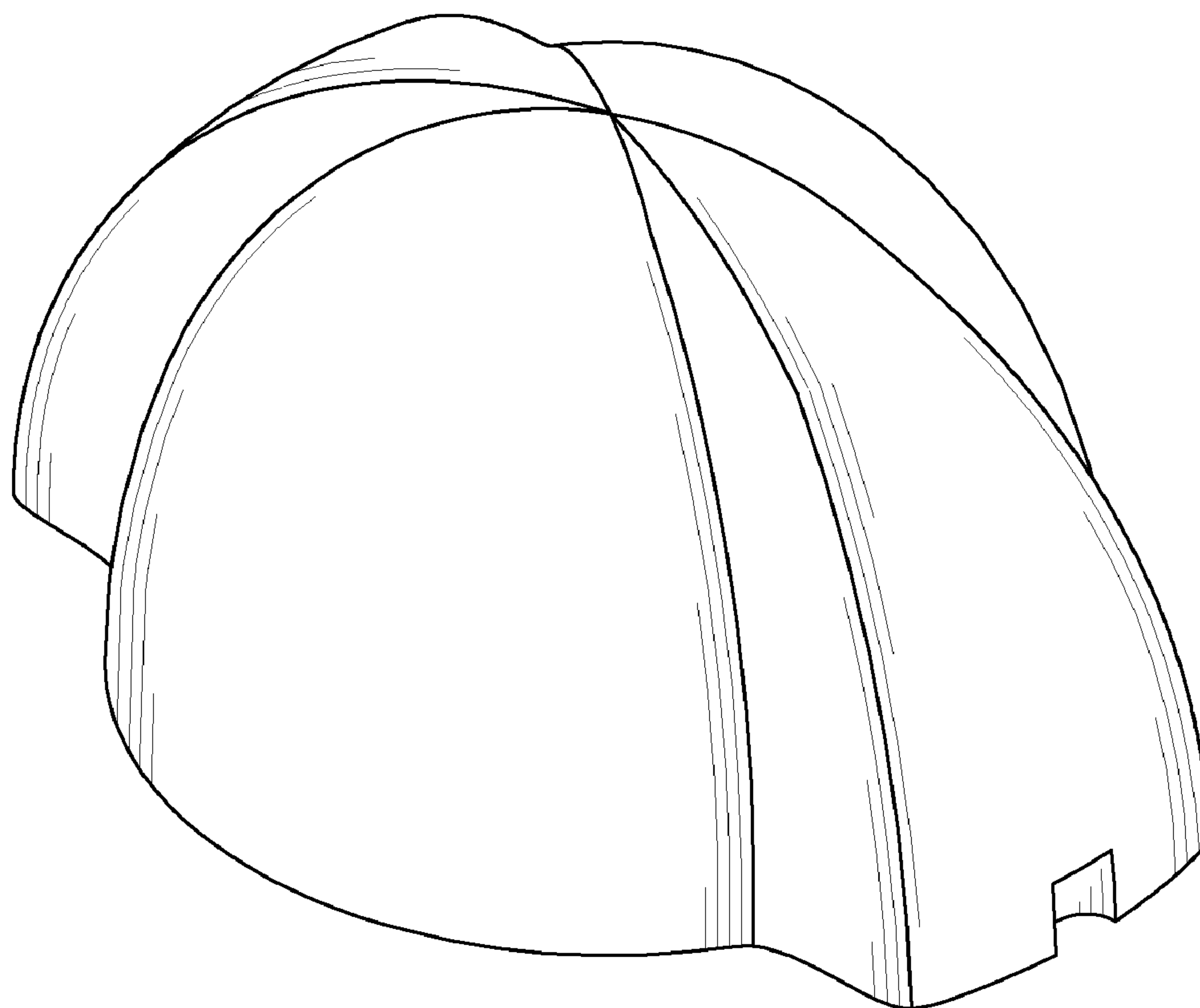


FIG. 1

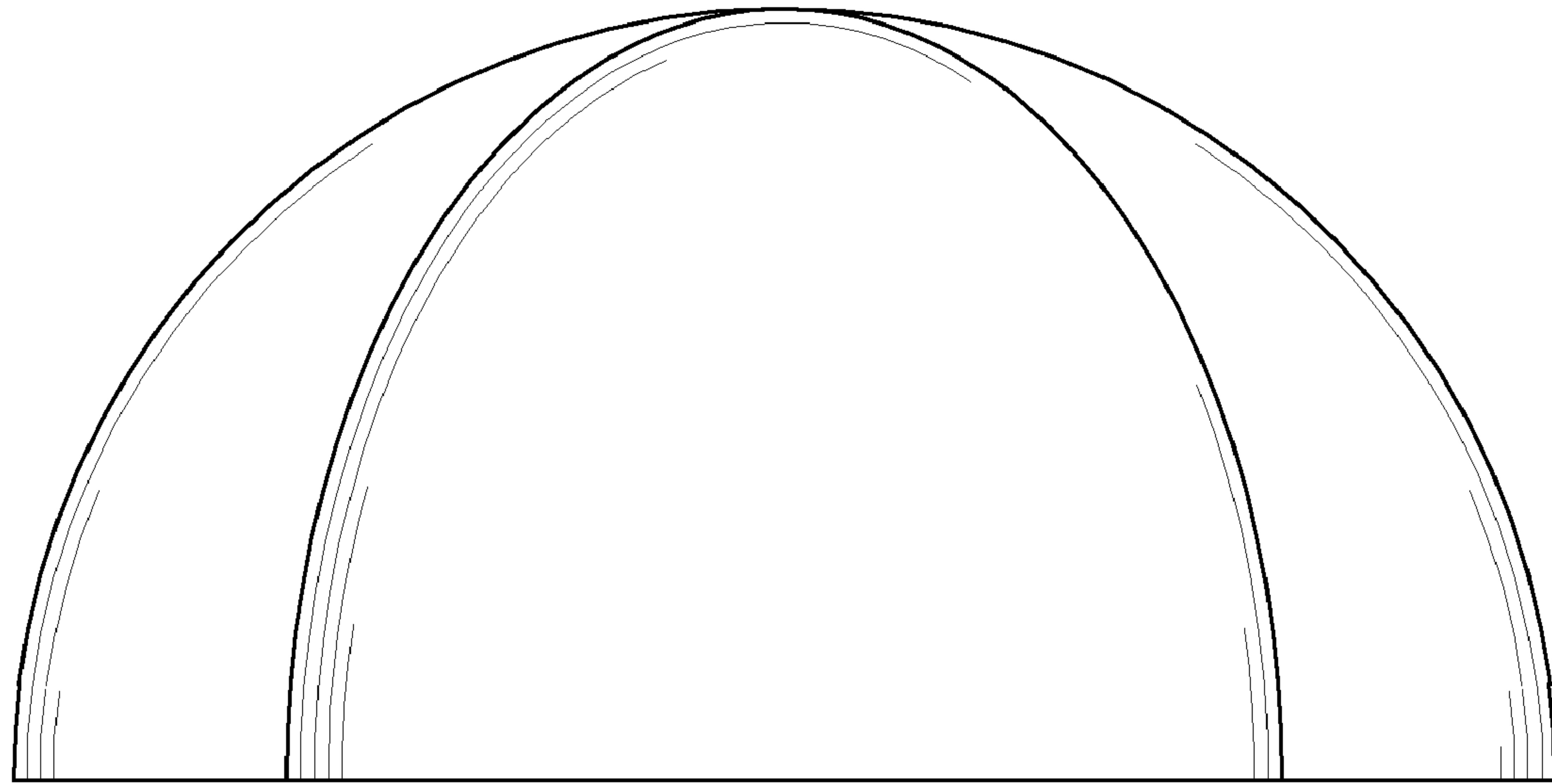


FIG. 2

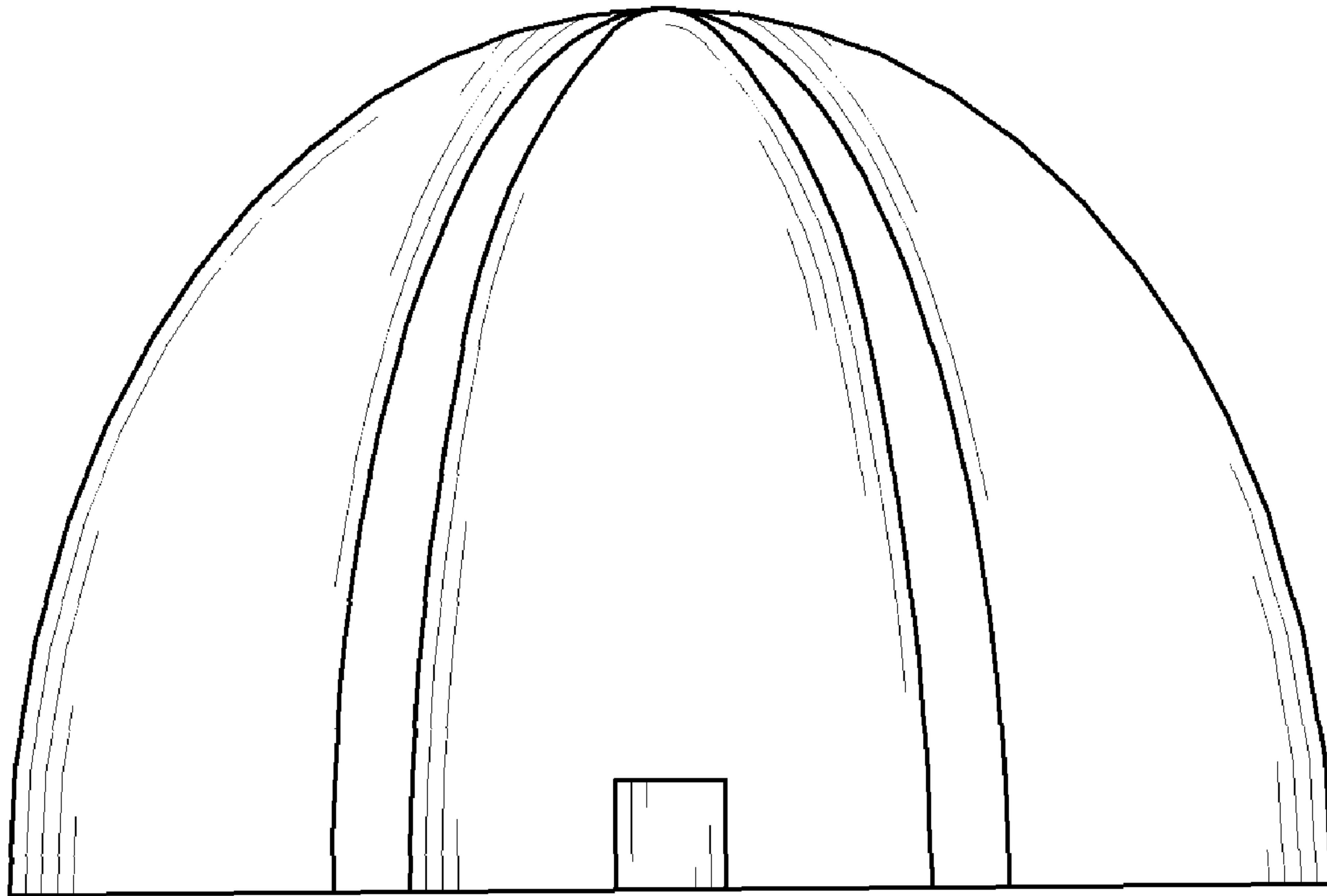


FIG. 3

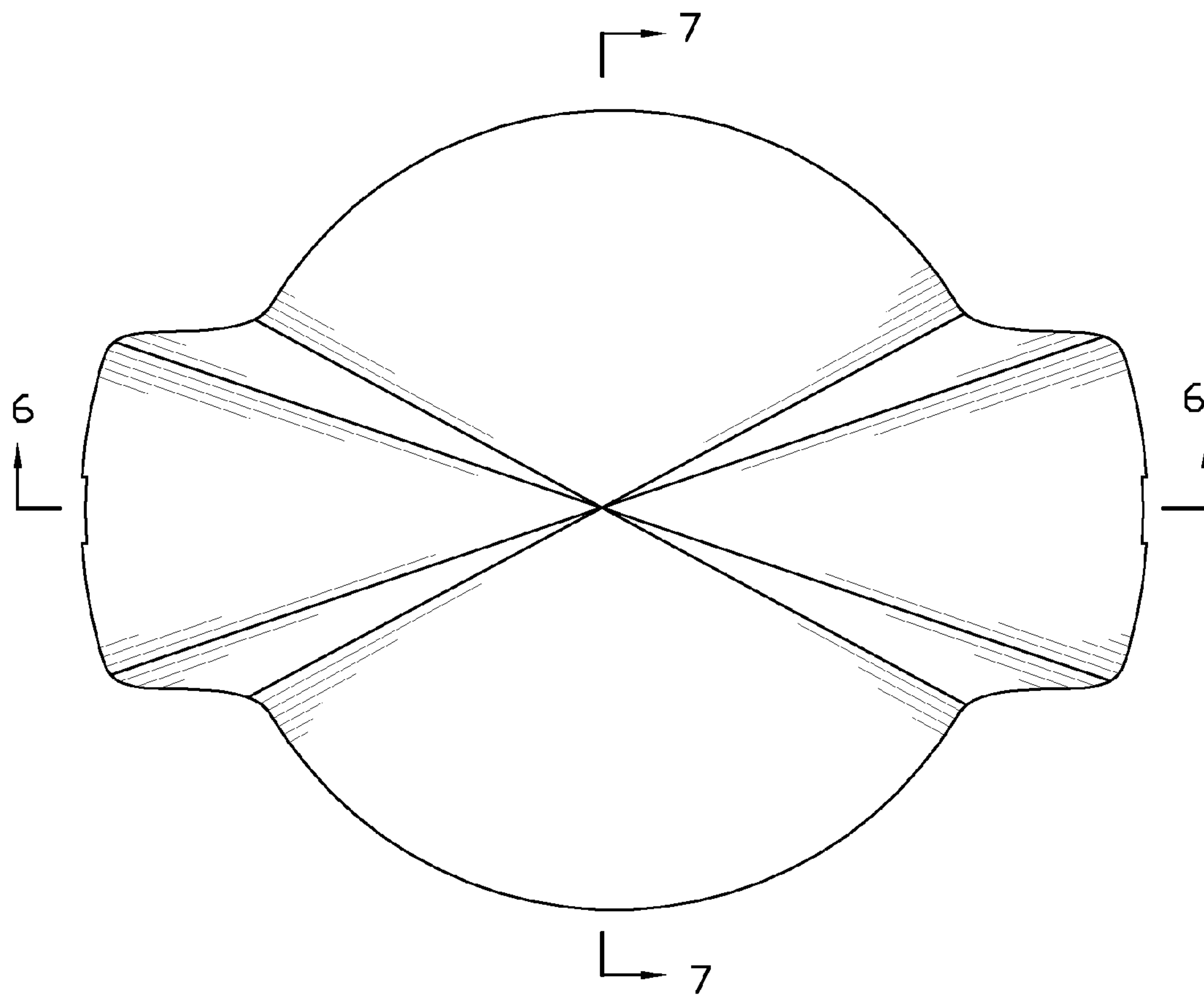


FIG. 4

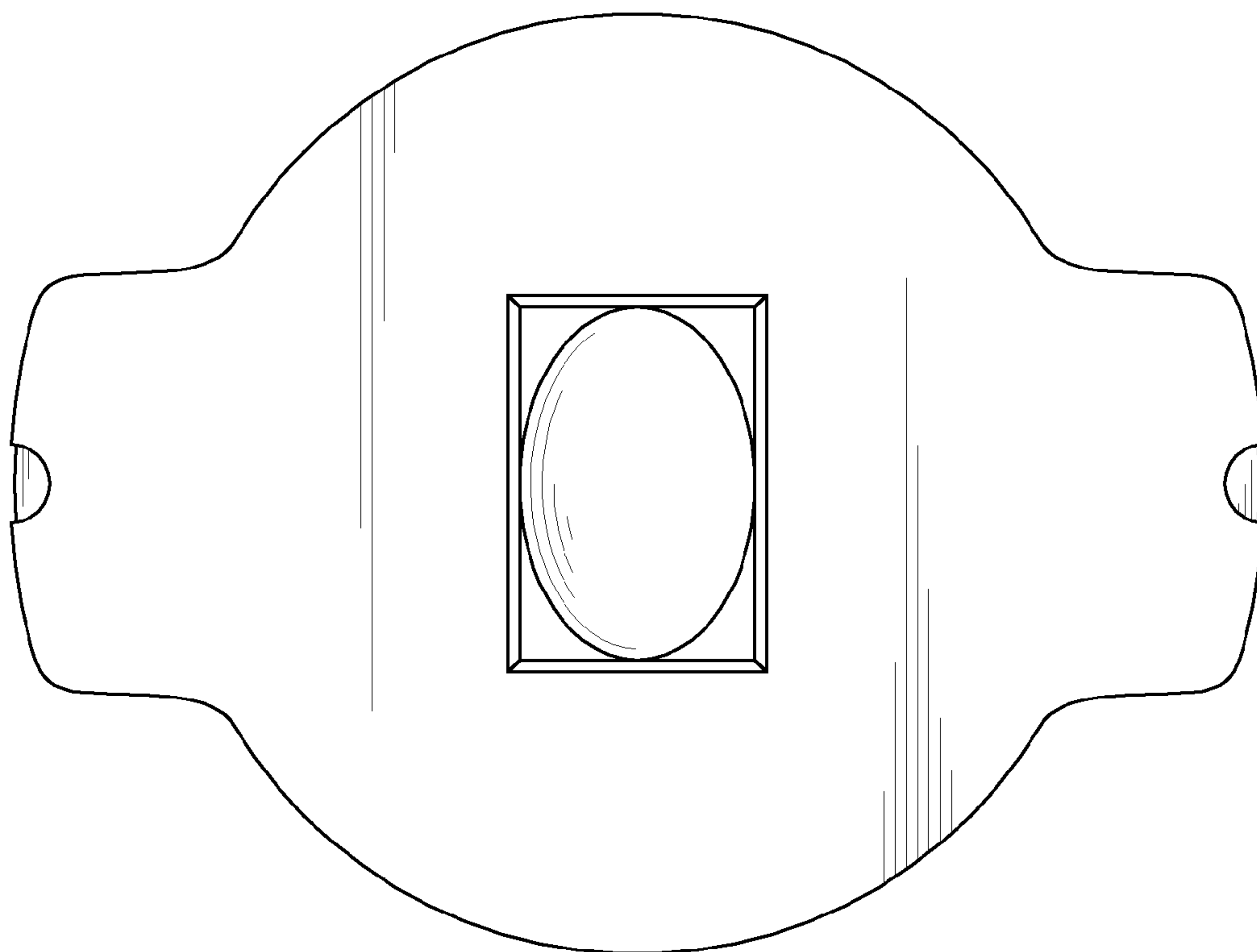


FIG. 5

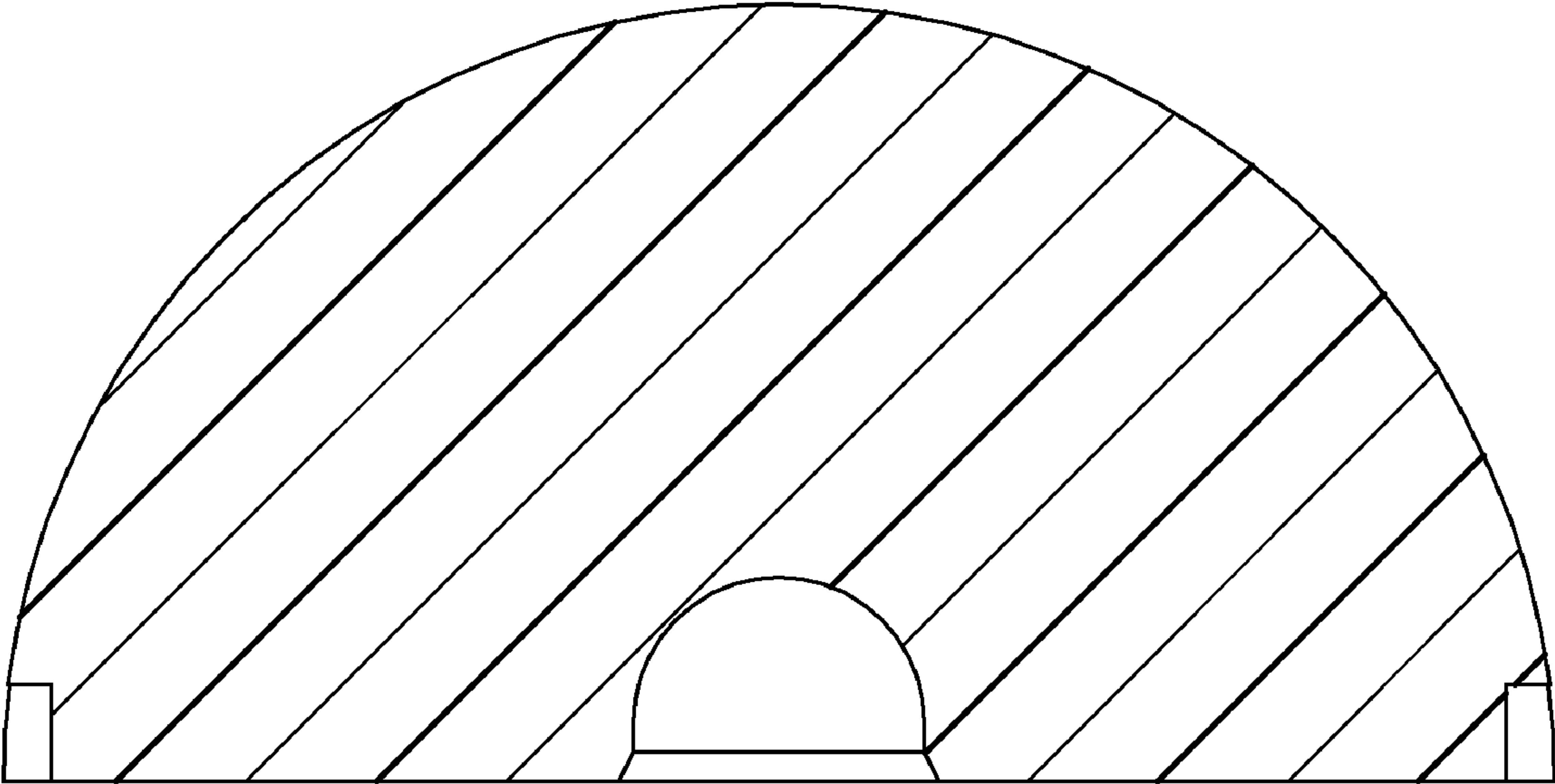


FIG. 6

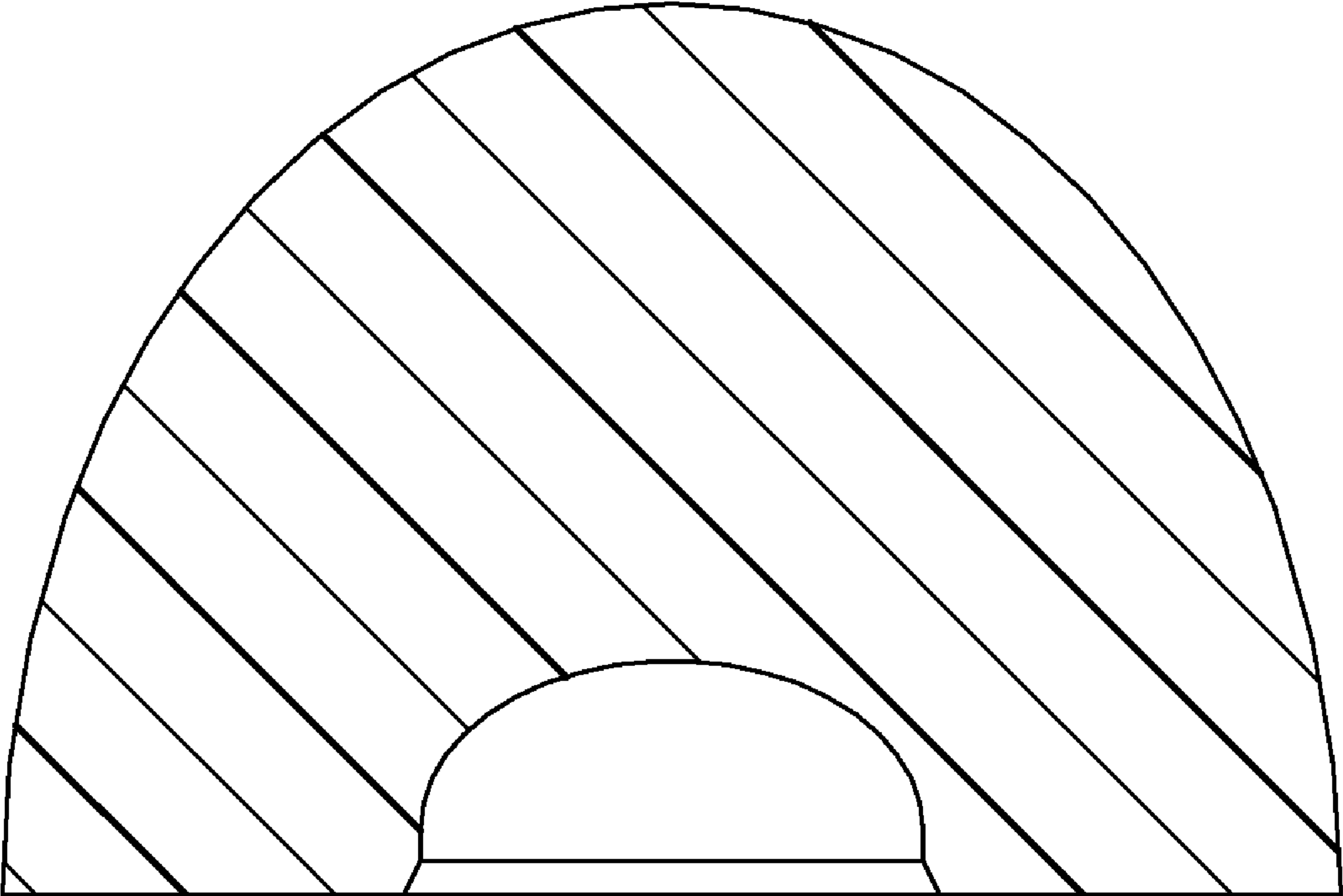


FIG. 7