



US00D625041S

(12) **United States Design Patent**
Starck

(10) **Patent No.:** **US D625,041 S**
(45) **Date of Patent:** **** Oct. 5, 2010**

(54) **LIGHTING DEVICE**

D498,324 S * 11/2004 Dolan D26/106
D530,444 S * 10/2006 Girard D26/110
D595,008 S * 6/2009 Starck D26/93

(75) Inventor: **Philippe Starck**, Bovezzo (IT)

* cited by examiner

(73) Assignee: **FLOS S.p.A.**, Bovezzo, Brescia (IT)

Primary Examiner—Brian N Vinson

(**) Term: **14 Years**

(74) *Attorney, Agent, or Firm*—Kilyk & Bowersox, P.L.L.C.

(21) Appl. No.: **29/344,672**

(57) **CLAIM**

(22) Filed: **Oct. 2, 2009**

The ornamental design for a lighting device, as shown and described.

(30) **Foreign Application Priority Data**

Apr. 6, 2009 (IT) BS2009O0019

DESCRIPTION

(51) **LOC (9) Cl.** **26-03**

FIG. 1 is a front perspective view of a lighting device, showing my new design;

(52) **U.S. Cl.** **D26/93**

FIG. 2 is the front view thereof;

(58) **Field of Classification Search** D26/24,
D26/26, 67, 93, 104, 105, 106, 118; 362/3,
362/153, 186, 217, 255, 257, 277, 317, 351,
362/353, 362, 363, 382, 431, 433, 458, 806
See application file for complete search history.

FIG. 3 is the left side view thereof;

FIG. 4 is the right side view thereof;

FIG. 5 is the rear view thereof;

FIG. 6 is the top view thereof; and,

FIG. 7 is the bottom view thereof.

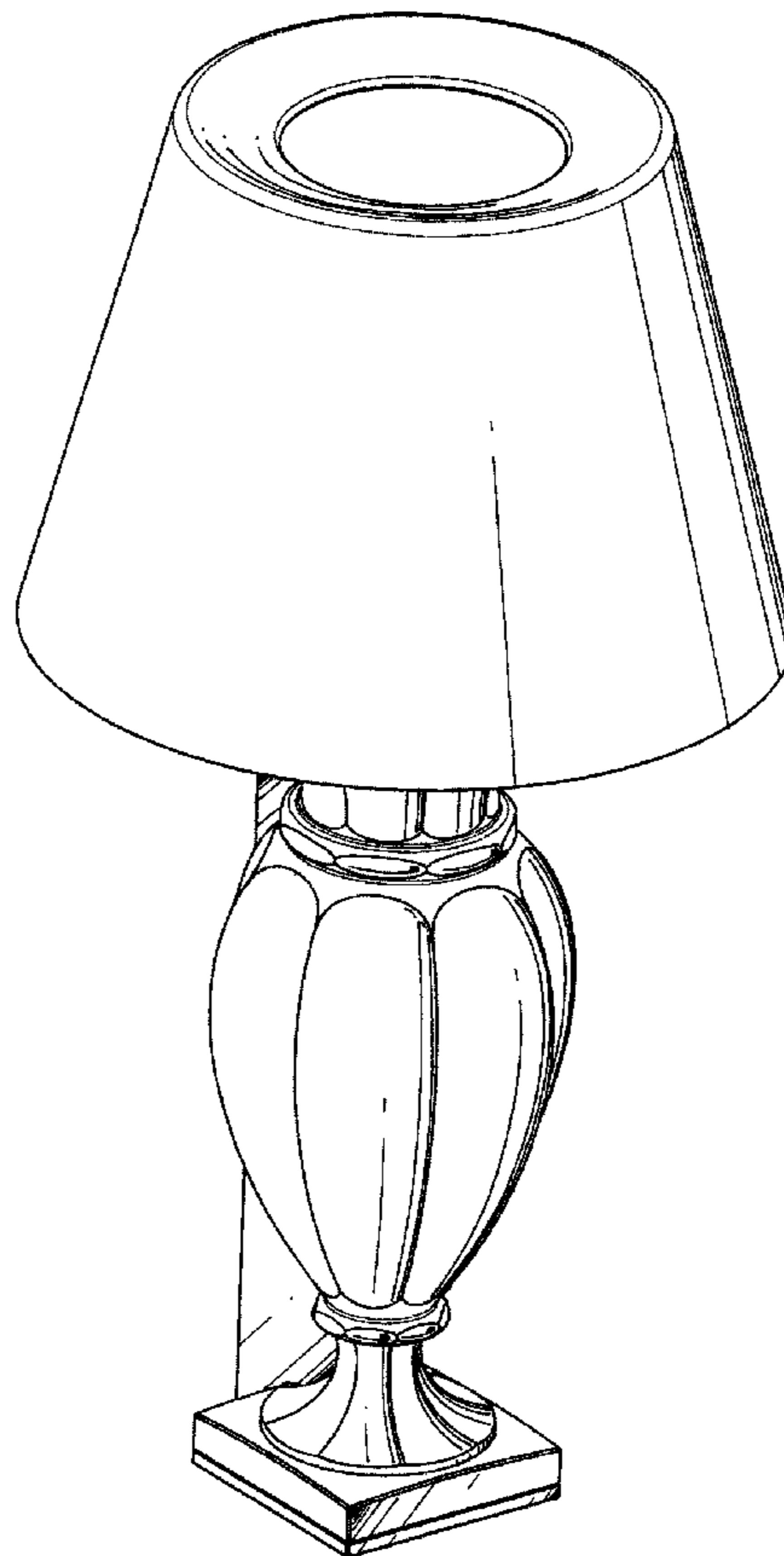
(56) **References Cited**

U.S. PATENT DOCUMENTS

D354,582 S * 1/1995 Stromberg D26/106
D368,547 S * 4/1996 Chen D26/93
D464,461 S * 10/2002 Hsu D26/108
D464,760 S * 10/2002 Hsu D26/98

The broken-line disclosure in the views is understood to represent a portion of the article in which the claimed design is embodied, but which forms no part of the claimed design.

1 Claim, 7 Drawing Sheets



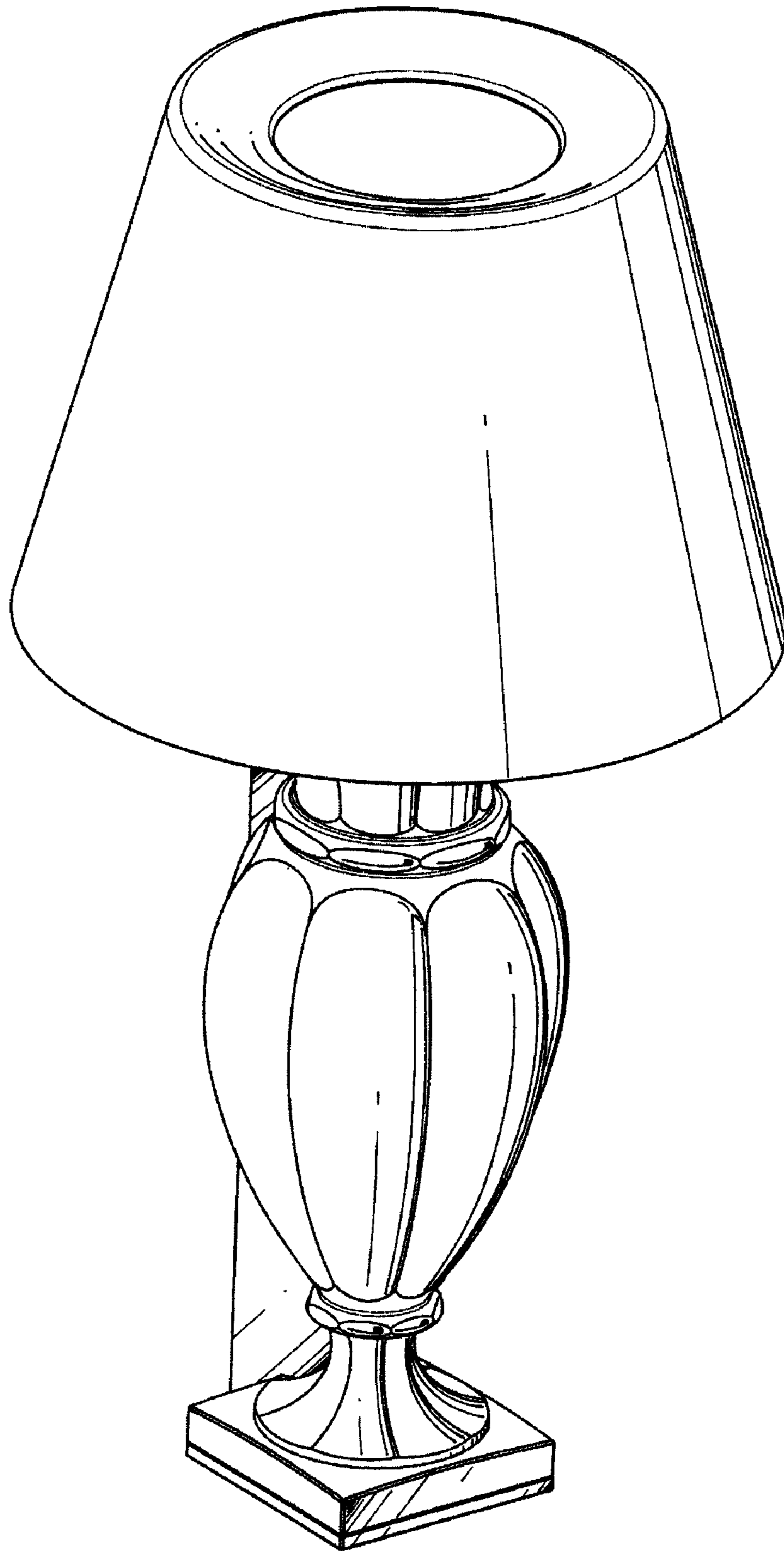


FIG. 1

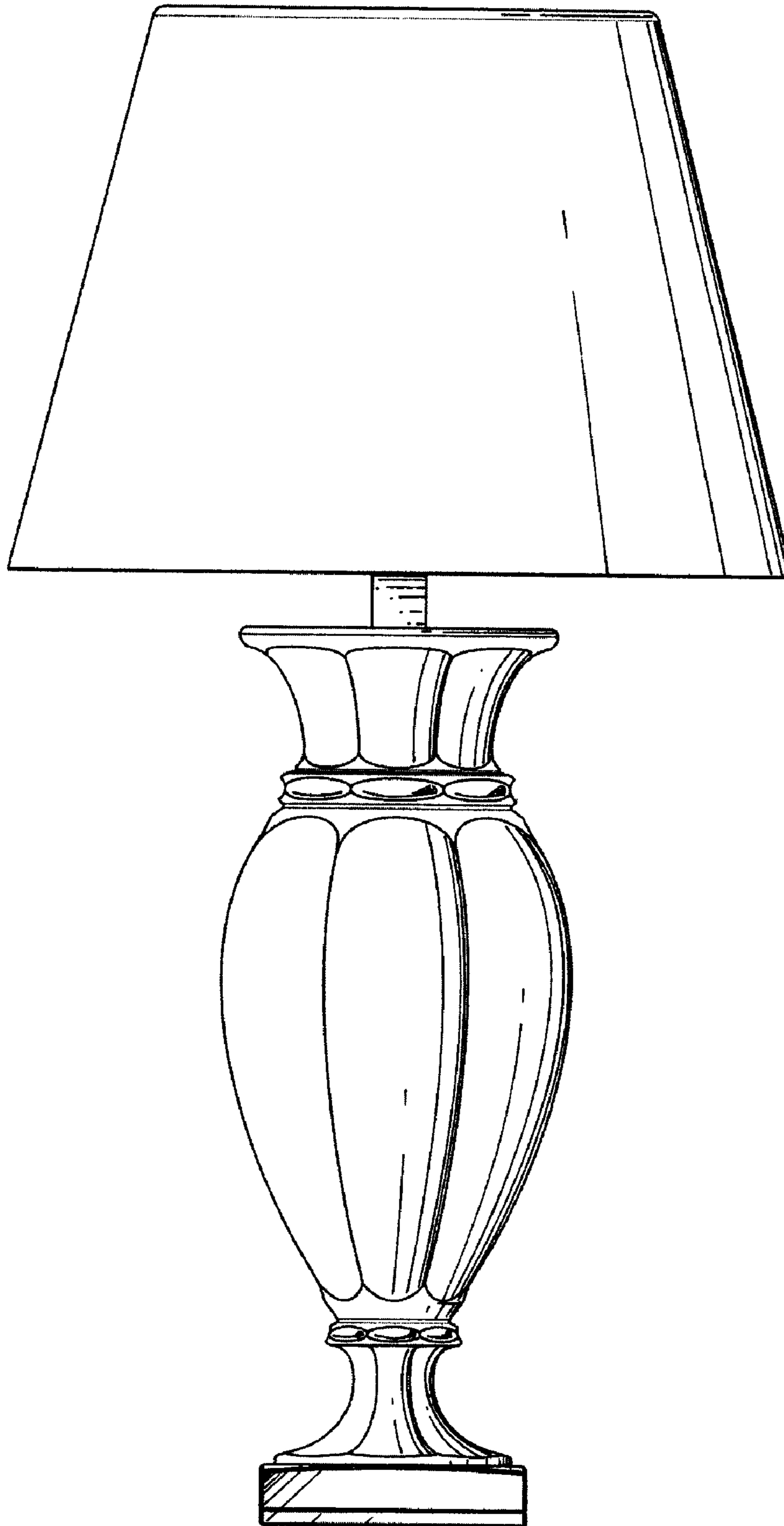


FIG. 2

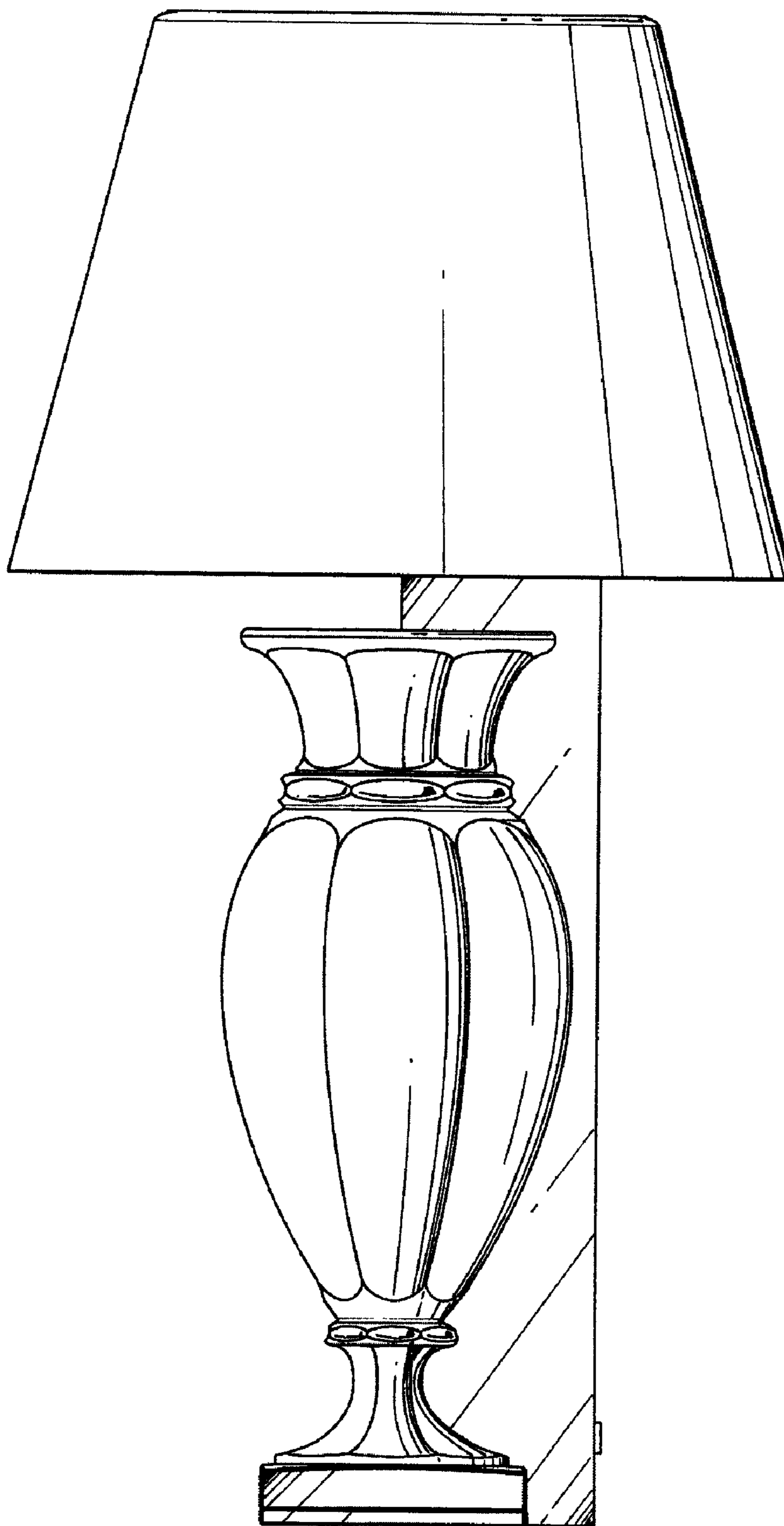


FIG. 3

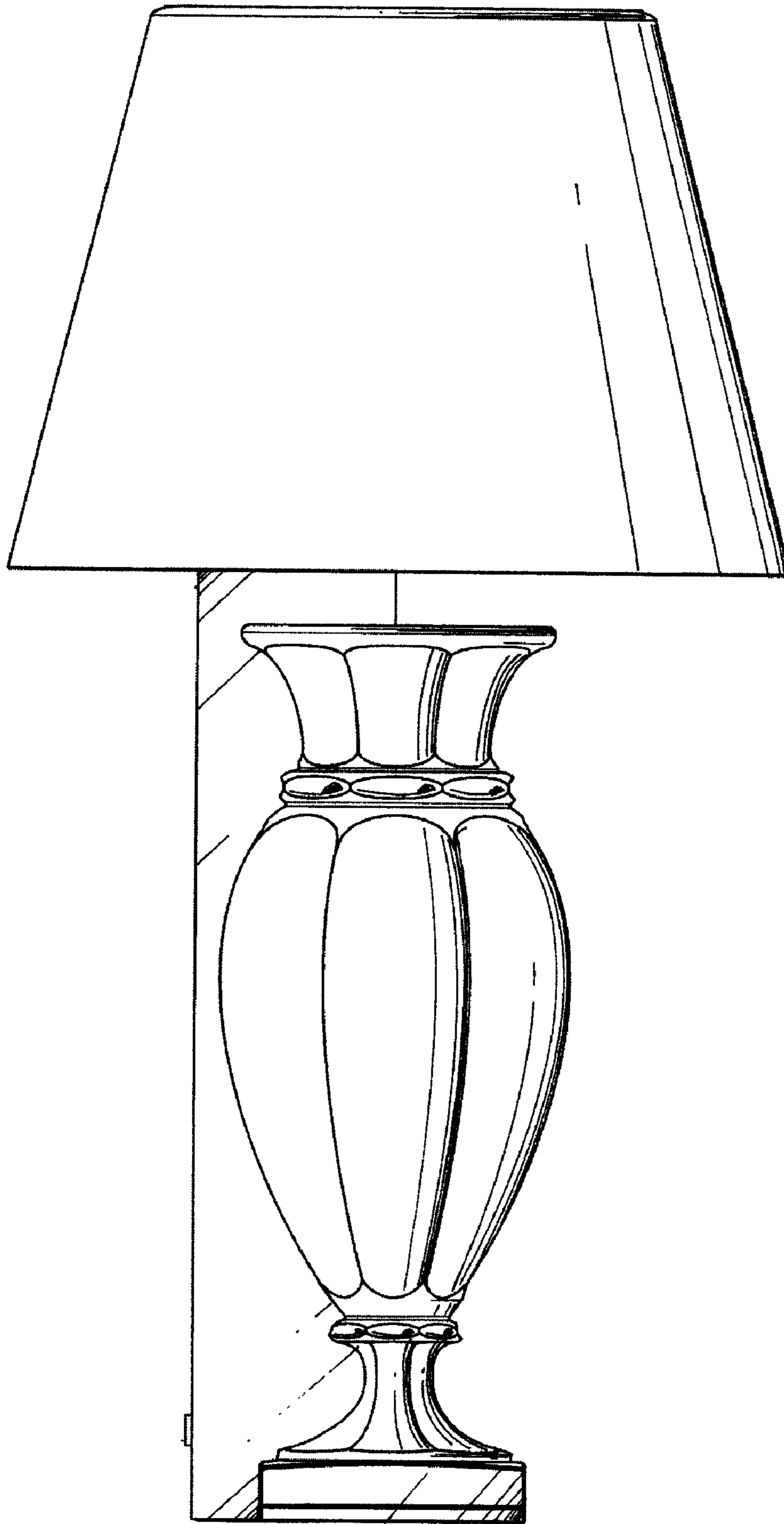


FIG. 4

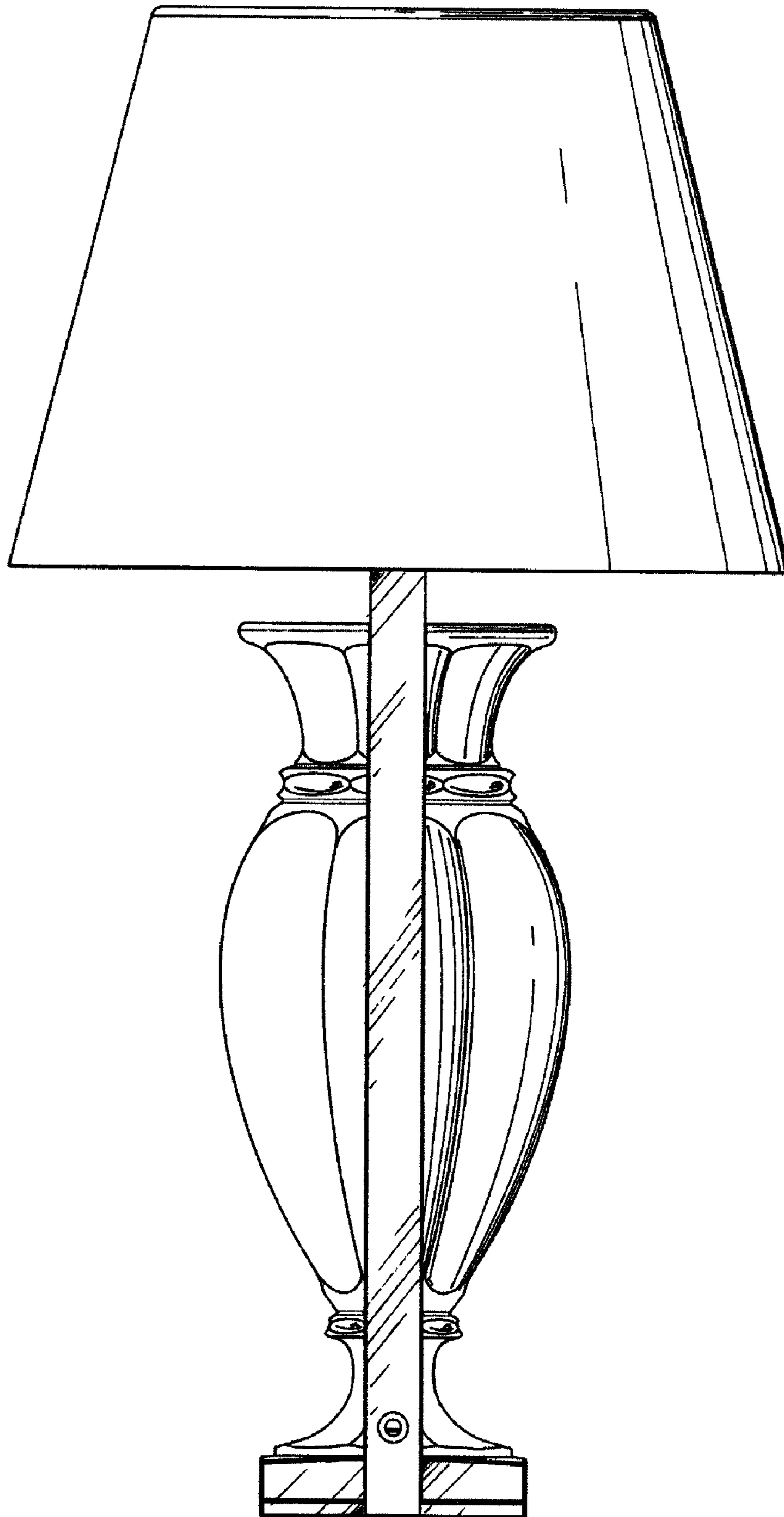


FIG. 5

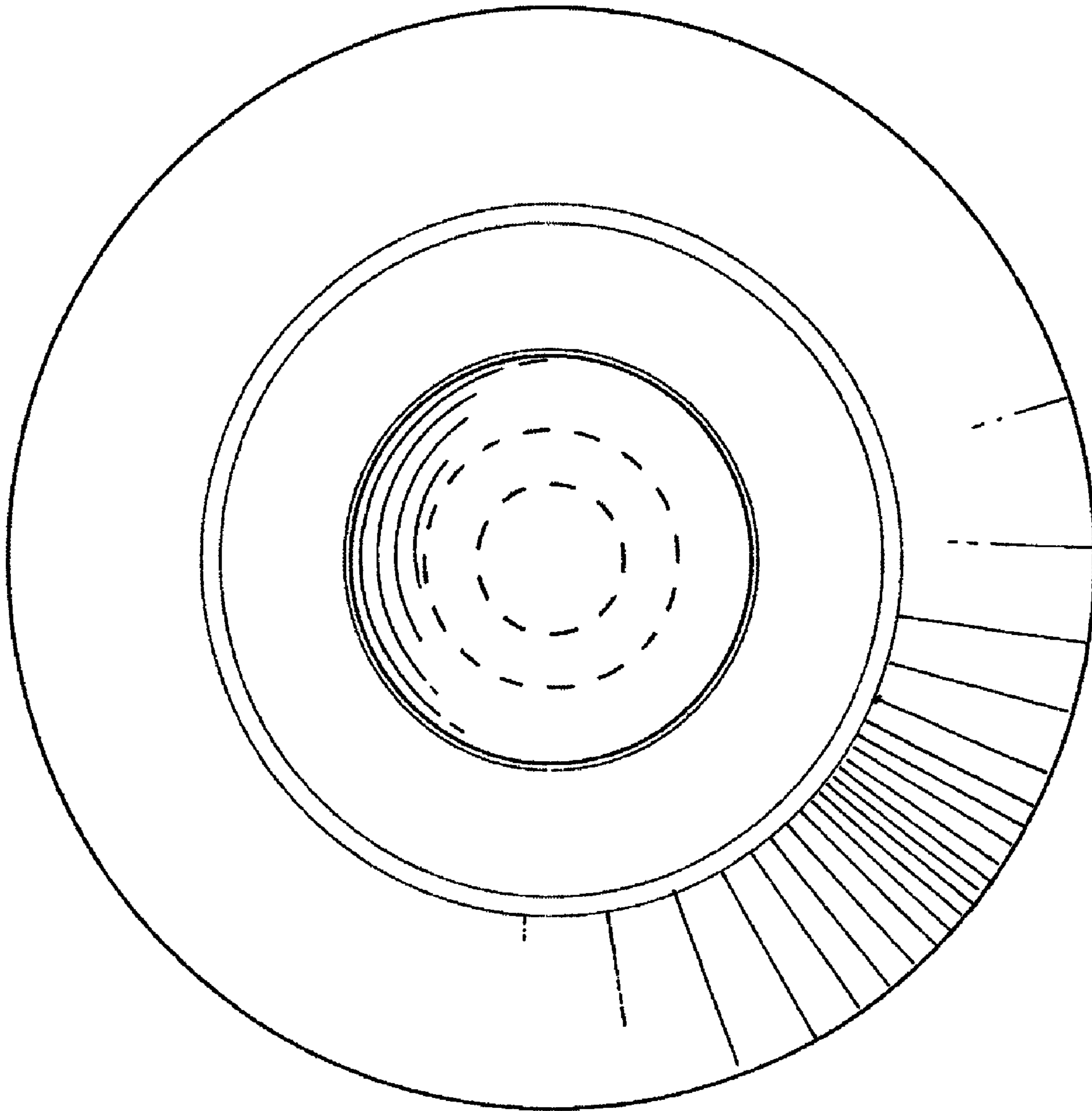


FIG. 6

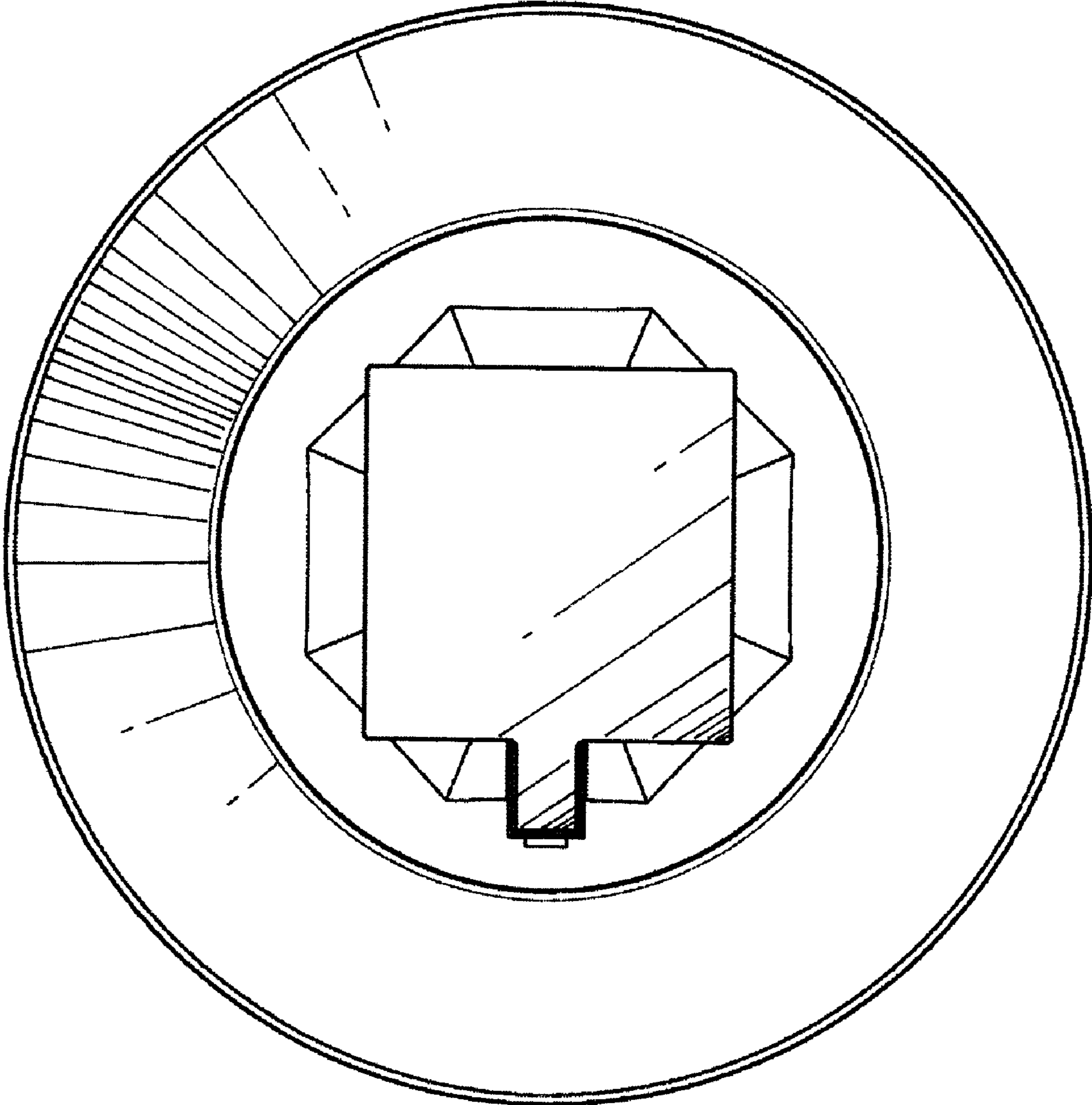


FIG. 7