



US00D625038S

(12) **United States Design Patent**
Yoo

(10) **Patent No.:** **US D625,038 S**

(45) **Date of Patent:** **** Oct. 5, 2010**

(54) **EXPLOSION-RESISTANT STREET LIGHT**

(75) Inventor: **Young Ho Yoo**, Goyang-si (KR)

(73) Assignee: **Fawoo Technology Co., Ltd.**,
Gyeonggi-Do (KR)

(**) Term: **14 Years**

(21) Appl. No.: **29/330,896**

(22) Filed: **Jan. 15, 2009**

(30) **Foreign Application Priority Data**

Jul. 25, 2008 (KR) 30-2008-0032306

(51) **LOC (9) Cl.** **26-03**

(52) **U.S. Cl.** **D26/85**

(58) **Field of Classification Search** D26/67-72,
D26/85, 92, 119; 362/145, 183, 249.02,
362/249.03, 249.04, 249.06, 249.16, 231,
362/431

See application file for complete search history.

(56) **References Cited**

U.S. PATENT DOCUMENTS

D200,118 S * 1/1965 Van Steenhoven D26/71
D573,288 S * 7/2008 Xu et al. D26/67
D573,289 S * 7/2008 Xu et al. D26/67
D573,290 S * 7/2008 Shuai et al. D26/67

D578,694 S * 10/2008 Zeng et al. D26/70
7,611,264 B1 * 11/2009 Chang et al. 362/249.02
7,682,049 B2 * 3/2010 Zheng et al. 362/294
2003/0206416 A1 * 11/2003 Mullally et al. 362/431
2009/0147518 A1 * 6/2009 Shuai et al. 362/249.02
2009/0303718 A1 * 12/2009 Zheng et al. 362/249.02
2010/0046226 A1 * 2/2010 Cox et al. 362/249.06

* cited by examiner

Primary Examiner—Clare E Heflin

(74) *Attorney, Agent, or Firm*—Lee, Hong, Degerman, Kang
& Waimey

(57) **CLAIM**

The ornamental design for an explosion-resistant street light,
as shown and described.

DESCRIPTION

FIG. 1 is a perspective view of an LED lamp;

FIG. 2 is a front view thereof;

FIG. 3 is a rear view thereof;

FIG. 4 is a left side view thereof;

FIG. 5 is a right side view thereof;

FIG. 6 is a plan view thereof;

FIG. 7 is a bottom view thereof; and,

FIG. 8 is another perspective view thereof.

1 Claim, 4 Drawing Sheets

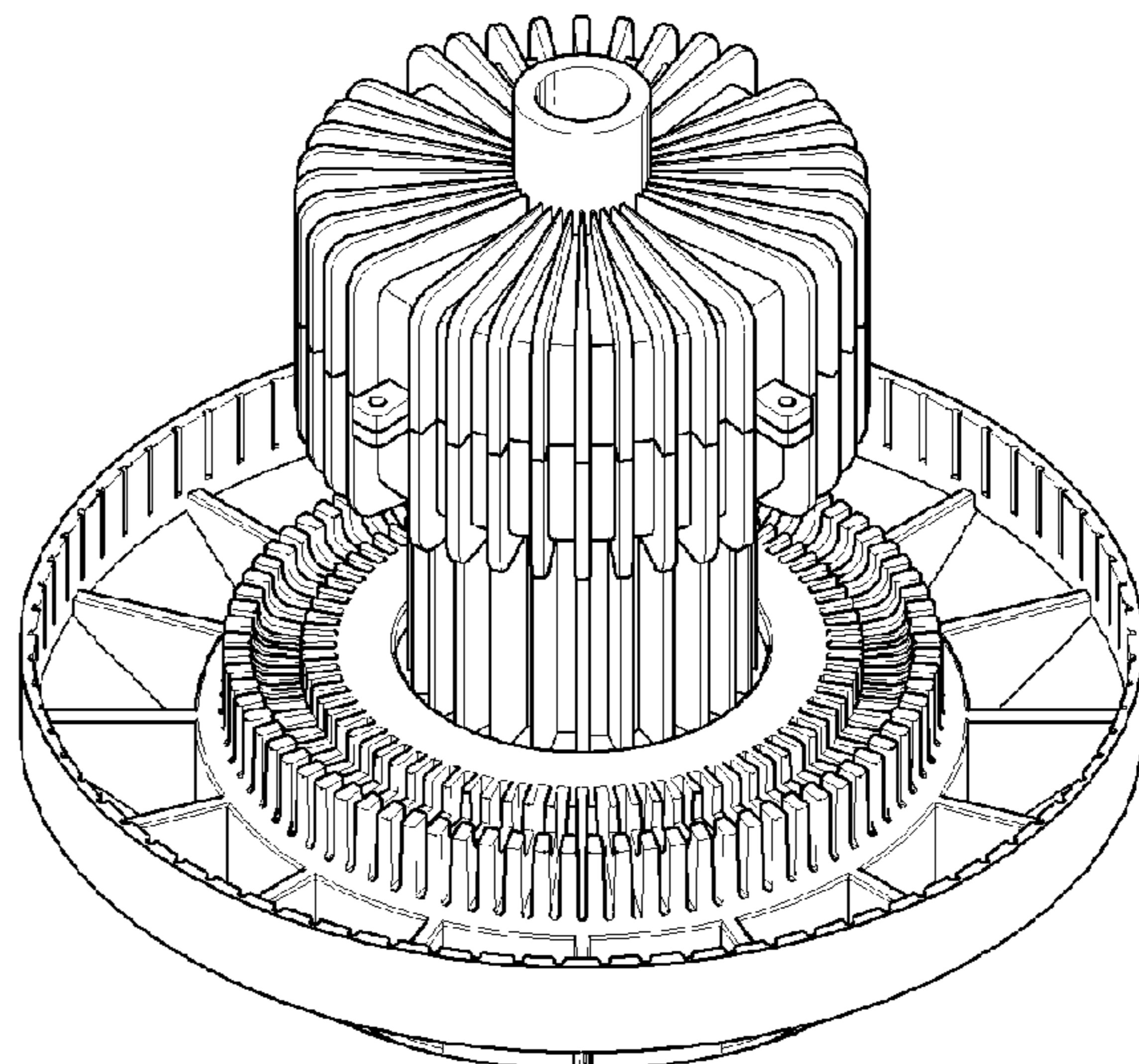
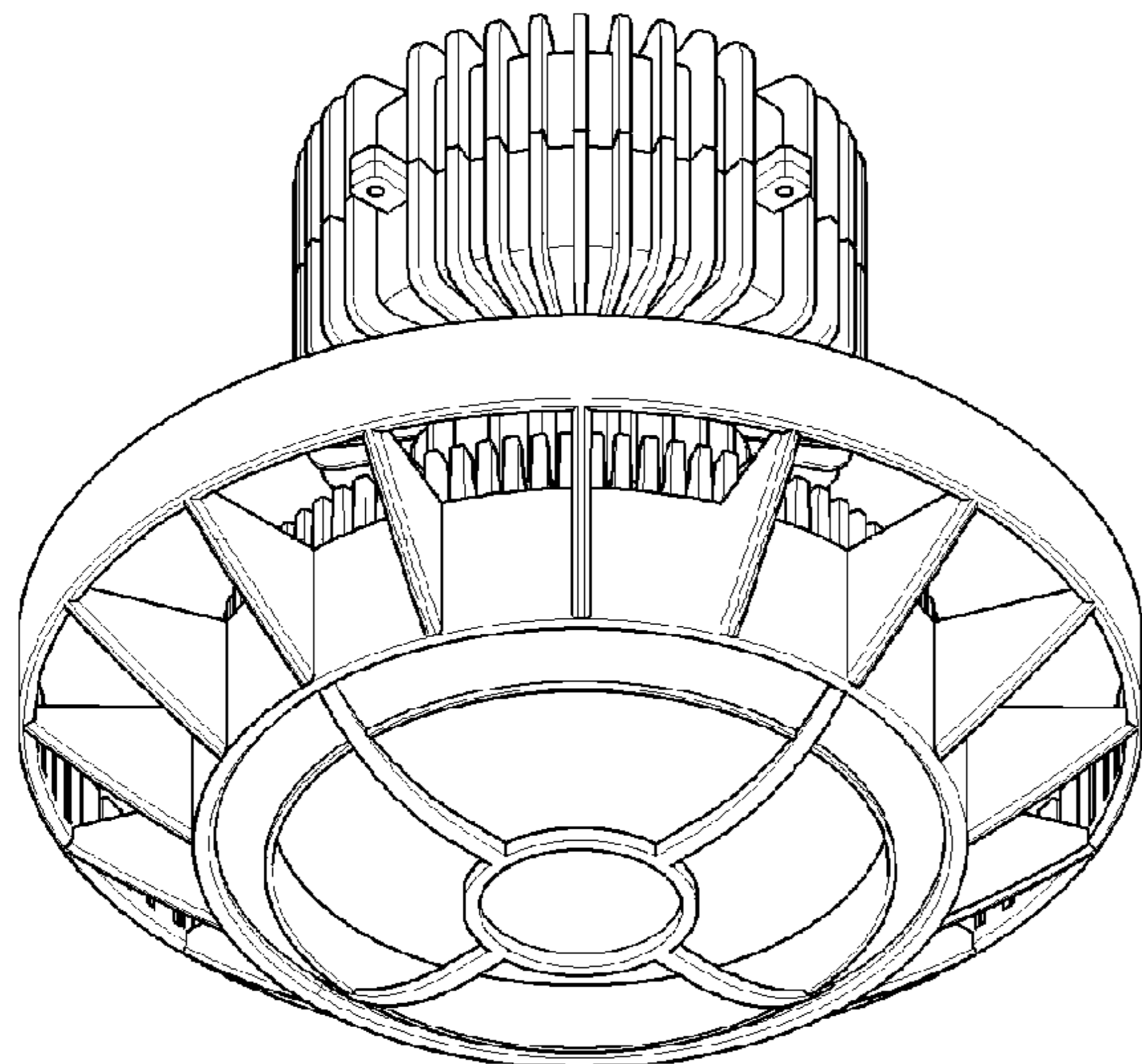


FIG. 1

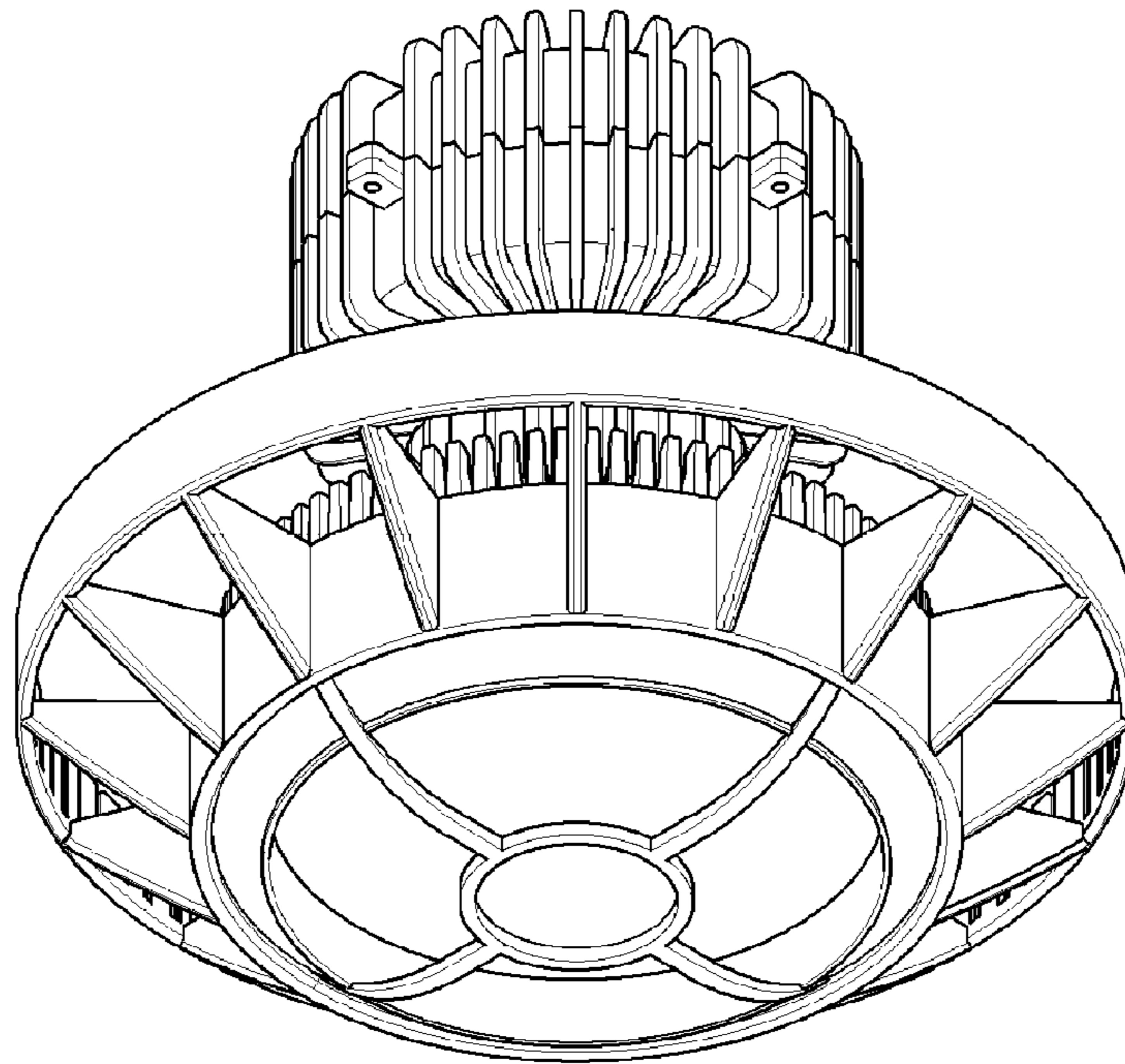


FIG. 2

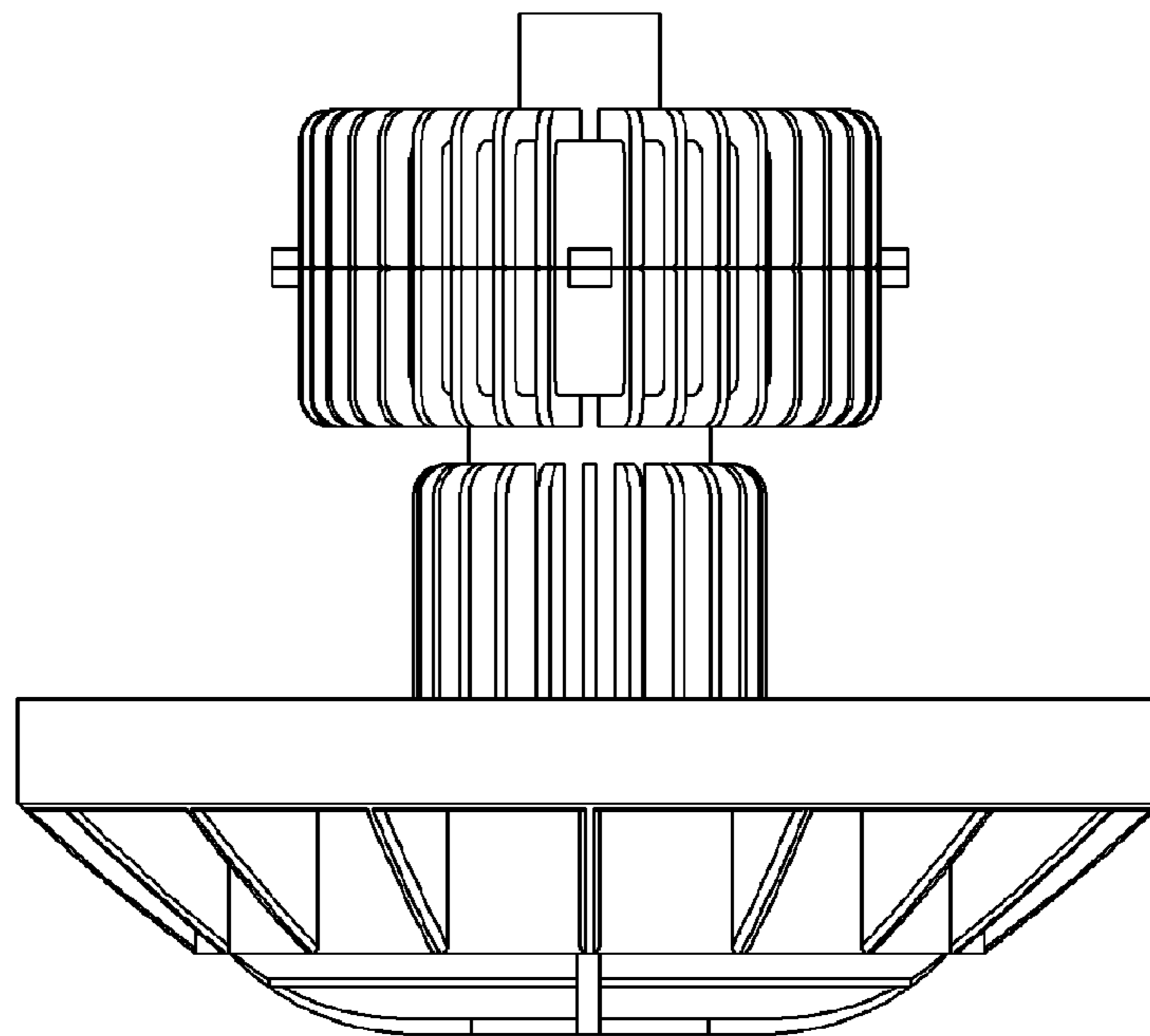


FIG. 3

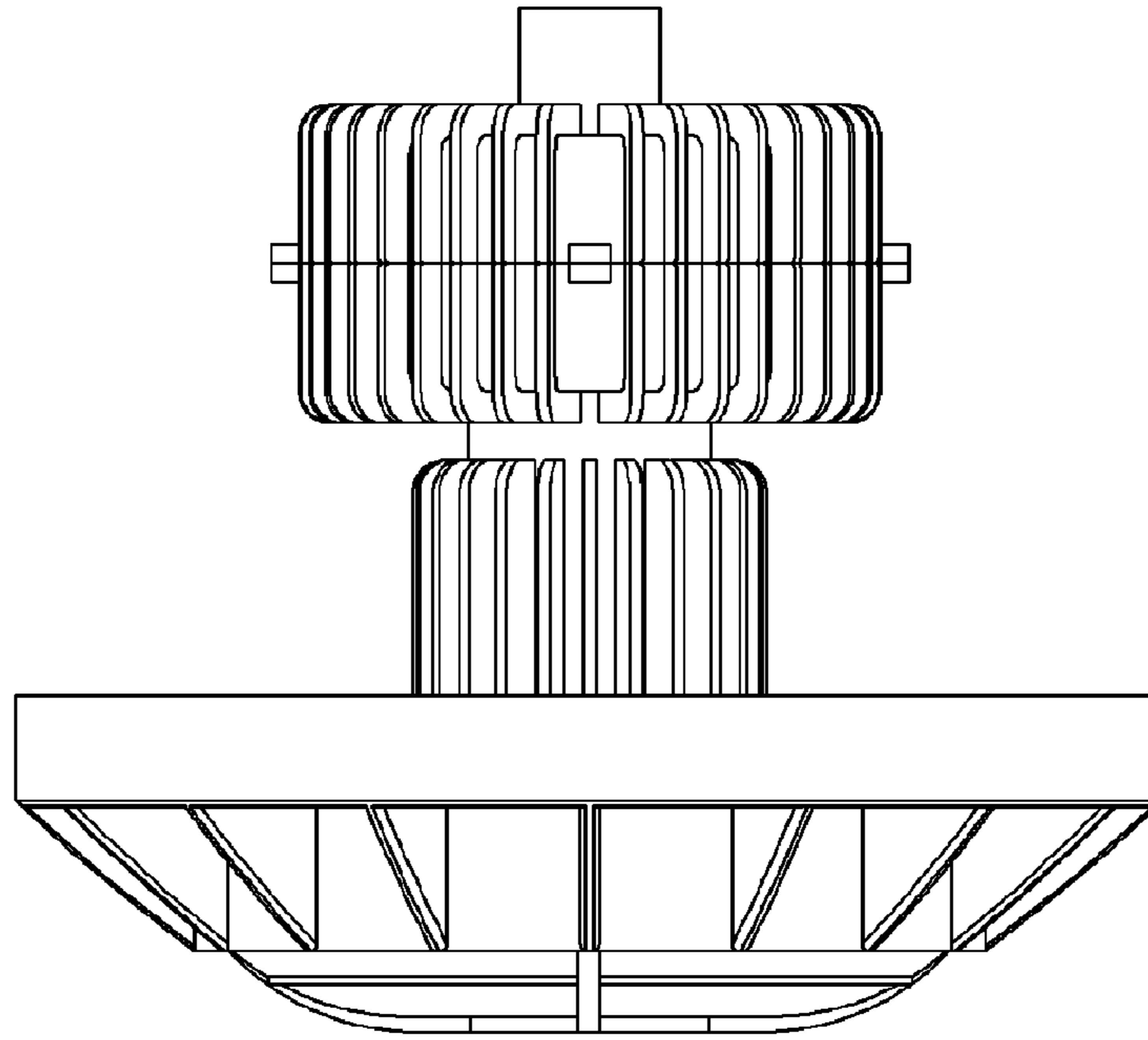


FIG. 4

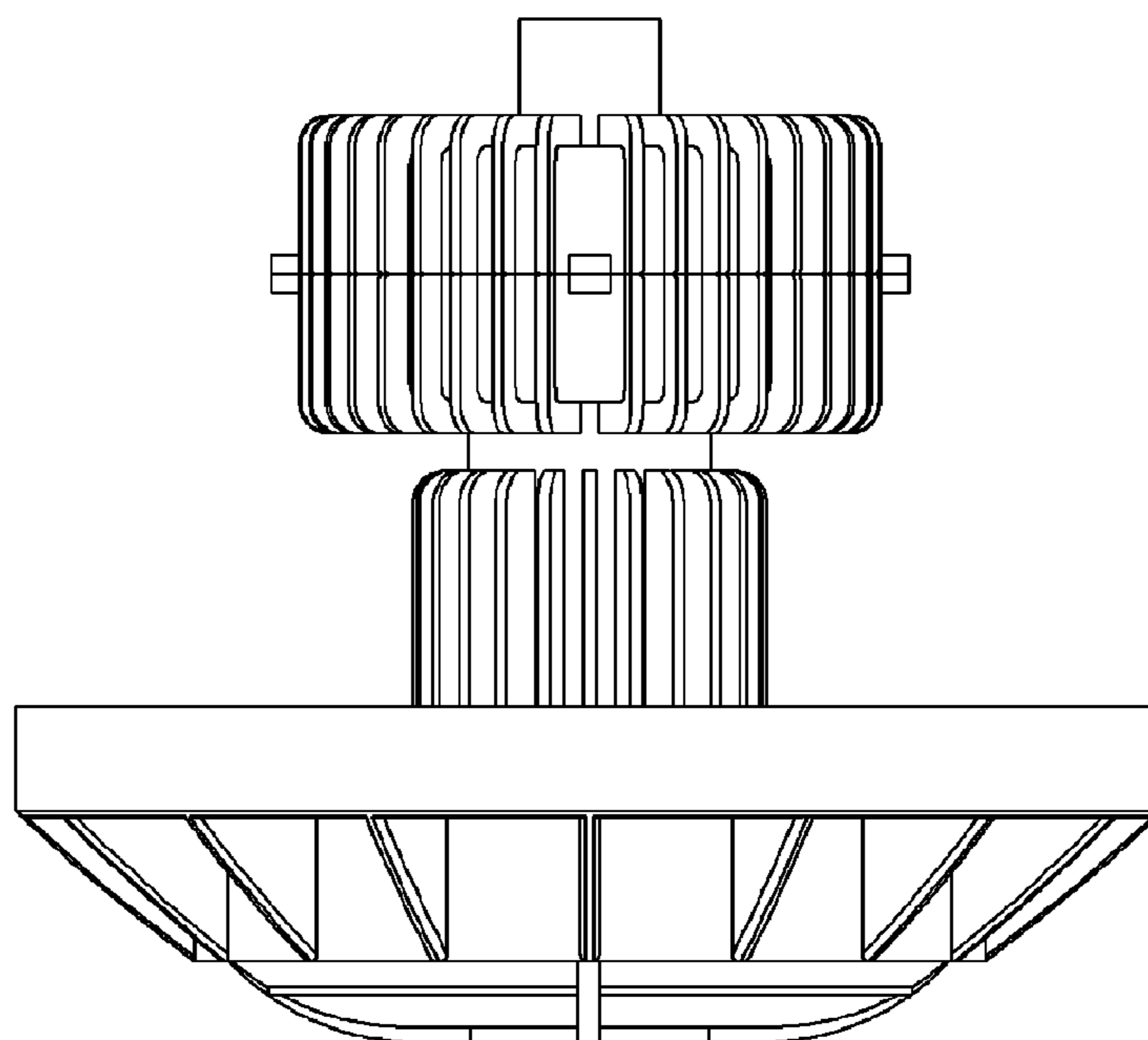


FIG. 5

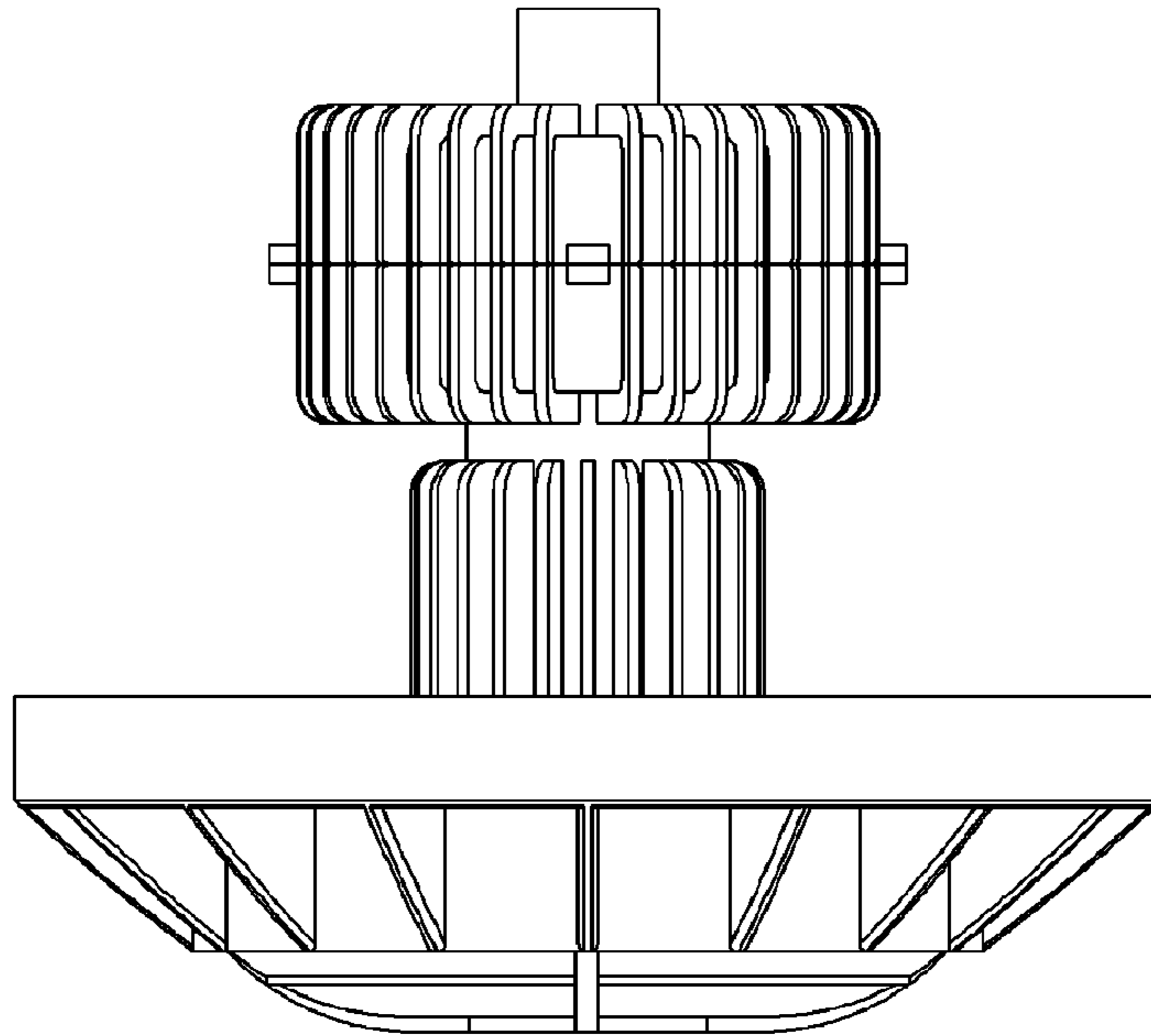


FIG. 6

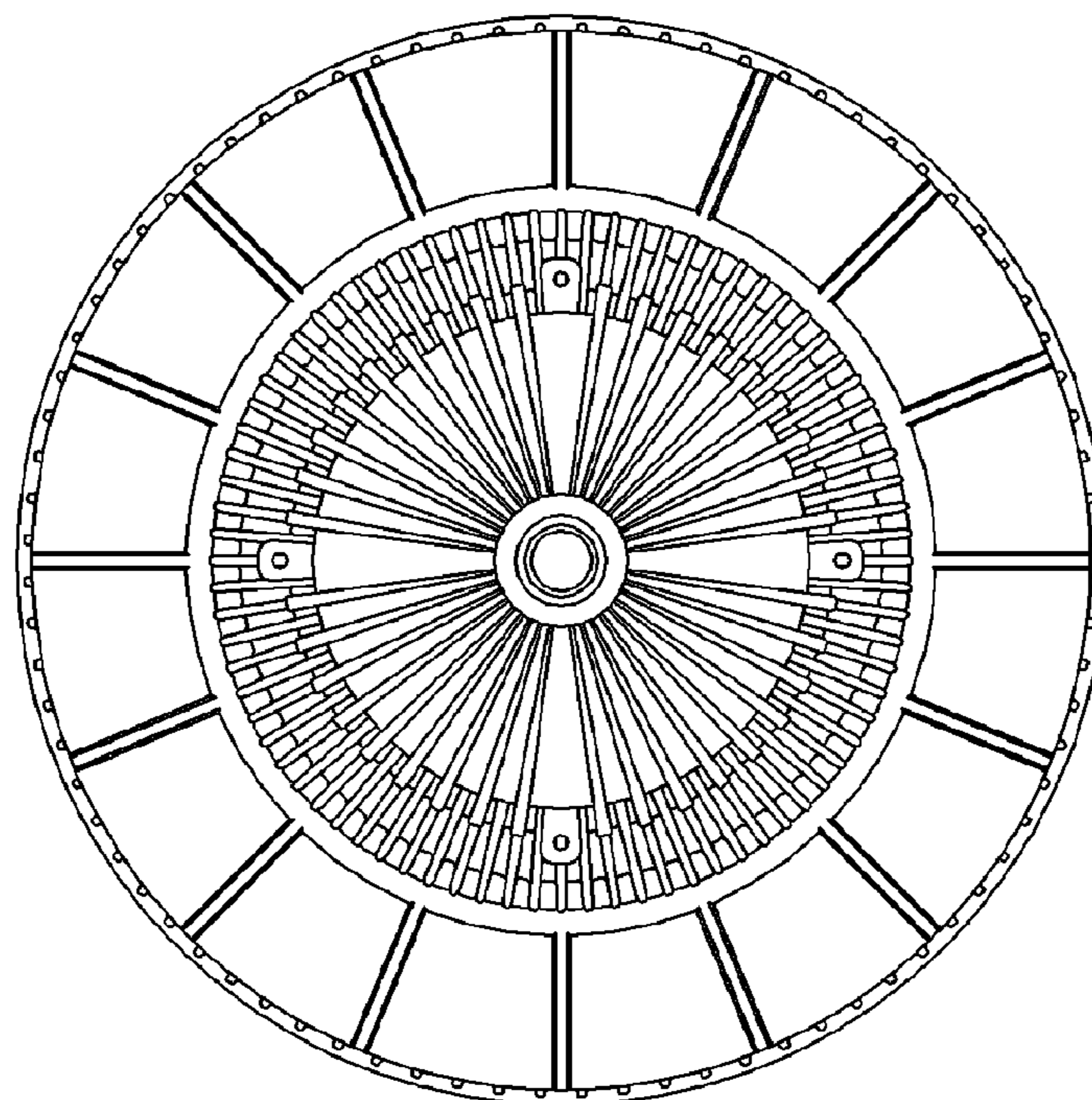


FIG. 7

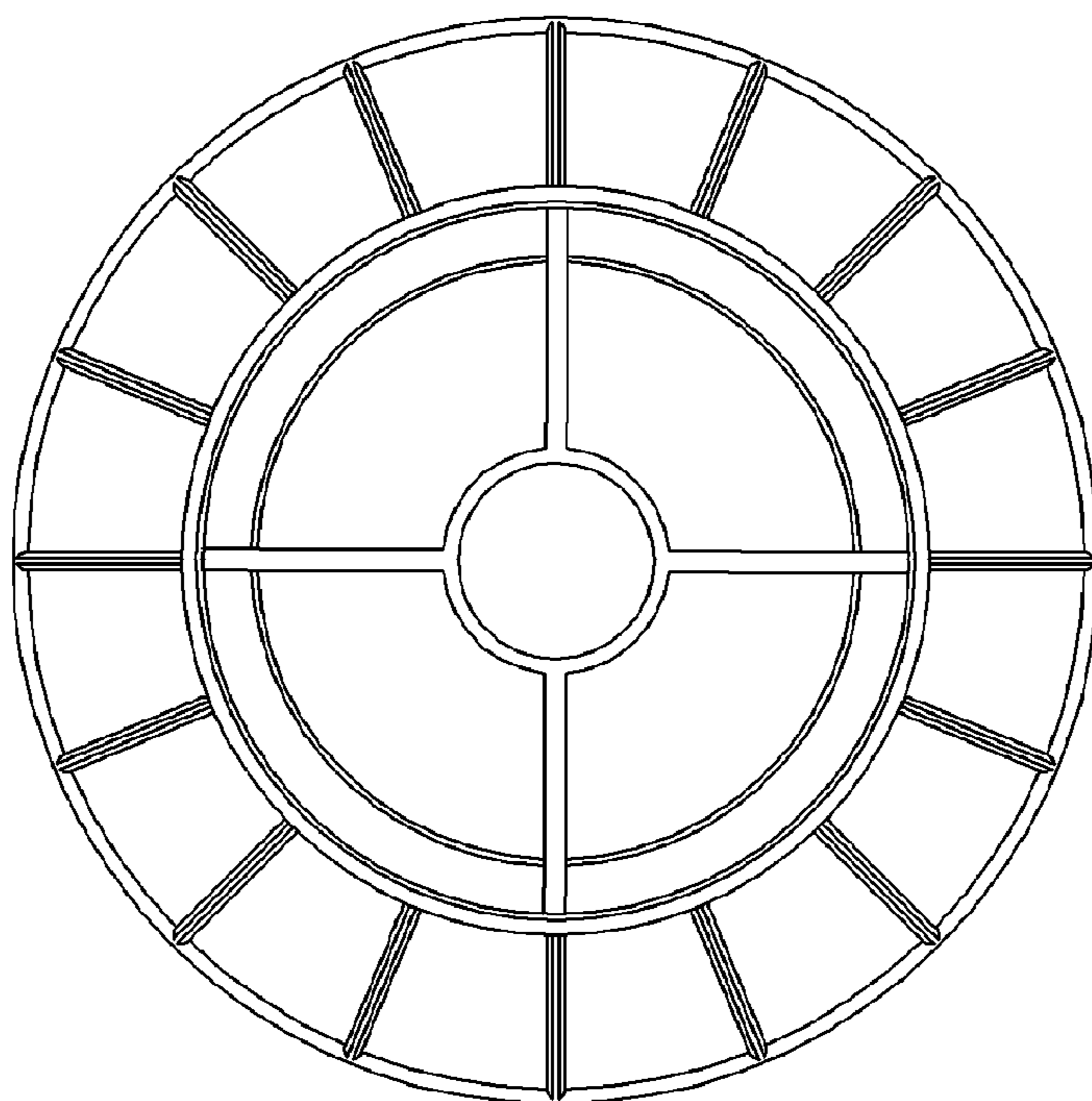


FIG. 8

