



US00D625035S

(12) **United States Design Patent**
Vanderbeek

(10) **Patent No.:** **US D625,035 S**

(45) **Date of Patent:** **** Oct. 5, 2010**

(54) **FLASHLIGHT**

(75) Inventor: **Karl Vanderbeek**, New Haven, CT (US)

(73) Assignee: **The Stanley Works**, New Britain, CT (US)

(**) Term: **14 Years**

(21) Appl. No.: **29/300,475**

(22) Filed: **Mar. 31, 2008**

(51) **LOC (9) Cl.** **26-02**

(52) **U.S. Cl.** **D26/48; D26/49**

(58) **Field of Classification Search** D26/37,
D26/46, 49, 50; 362/157, 158, 184, 188,
362/190, 194-199, 202-208

See application file for complete search history.

(56) **References Cited**

U.S. PATENT DOCUMENTS

2,444,107	A *	6/1948	Montgomery	362/158
D249,581	S *	9/1978	Von Clemm	D26/49
D396,313	S *	7/1998	Dalton et al.	D26/46
D488,876	S *	4/2004	Kotani	D26/49
D495,078	S *	8/2004	Galli	D26/49
D505,218	S *	5/2005	Van Deursen	D26/49
D512,524	S *	12/2005	Yuen	D26/37
D533,290	S *	12/2006	Lo et al.	D26/49
D546,489	S *	7/2007	Yuen	D26/42
D550,873	S *	9/2007	Garrity	D26/49
D554,788	S *	11/2007	Chapman	D26/49

7,296,909	B2	11/2007	Van Deursen et al.	
7,342,360	B2	3/2008	Van Deursen et al.	
7,364,320	B2	4/2008	Van Deursen et al.	
D574,529	S *	8/2008	Squires et al. D26/49
D593,241	S *	5/2009	Wiesmeth et al. D26/49
D608,481	S *	1/2010	Yang D26/49
D610,728	S *	2/2010	Baker et al. D26/49

* cited by examiner

Primary Examiner—Charles A Rademaker

Assistant Examiner—Carissa C Fitts

(74) *Attorney, Agent, or Firm*—Pillsbury Winthrop Shaw Pittman LLP

(57) **CLAIM**

The ornamental design for a flashlight, as shown and described.

DESCRIPTION

FIG. 1 is a front elevation view of an embodiment of the flashlight according to our design;

FIG. 2 is a right side view thereof;

FIG. 3 is a left side view thereof;

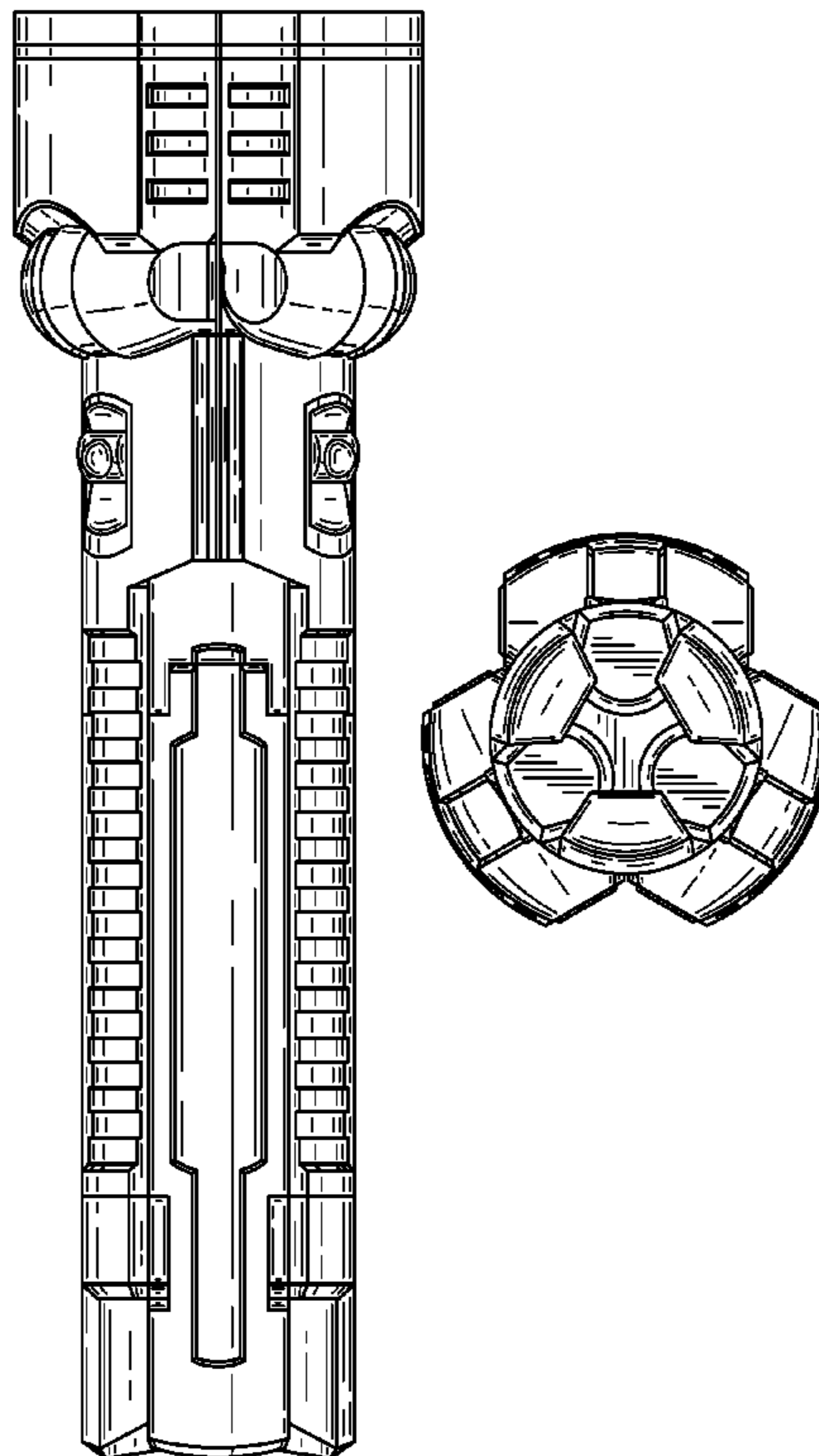
FIG. 4 is a top plan view thereof;

FIG. 5 is a bottom plan view thereof;

FIG. 6 is a perspective view thereof with legs in an extended configuration; and,

FIG. 7 is a perspective view thereof.

1 Claim, 6 Drawing Sheets



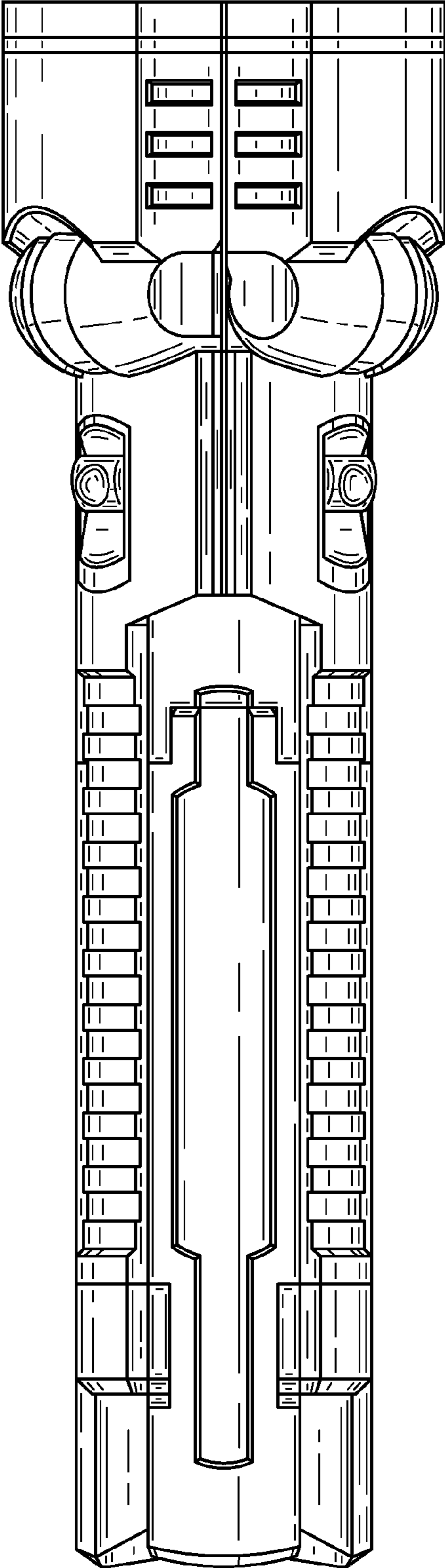


FIG. 1

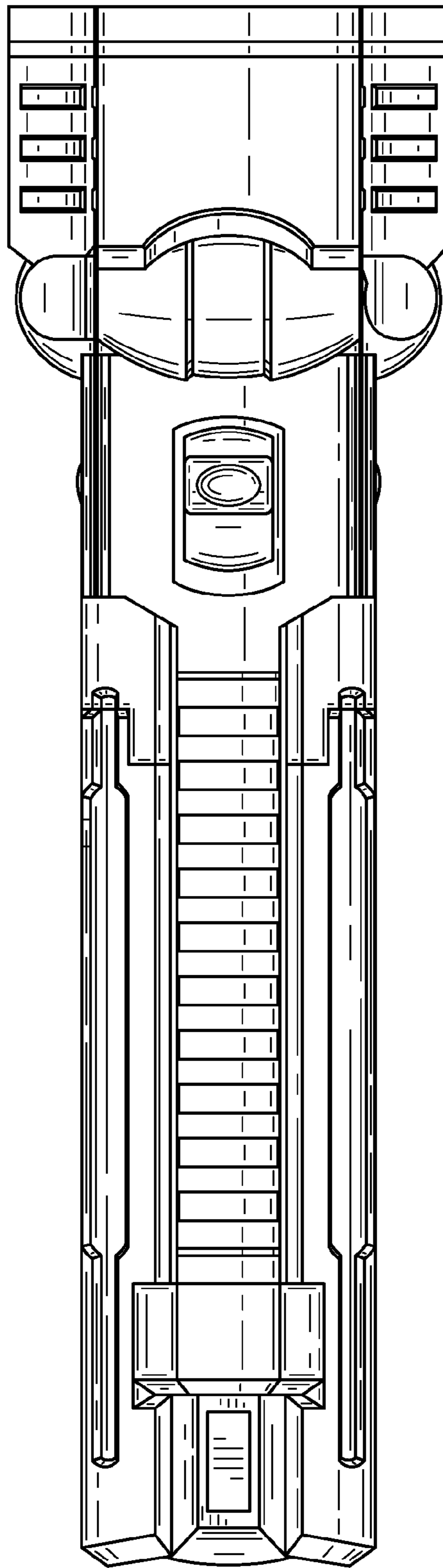


FIG. 2

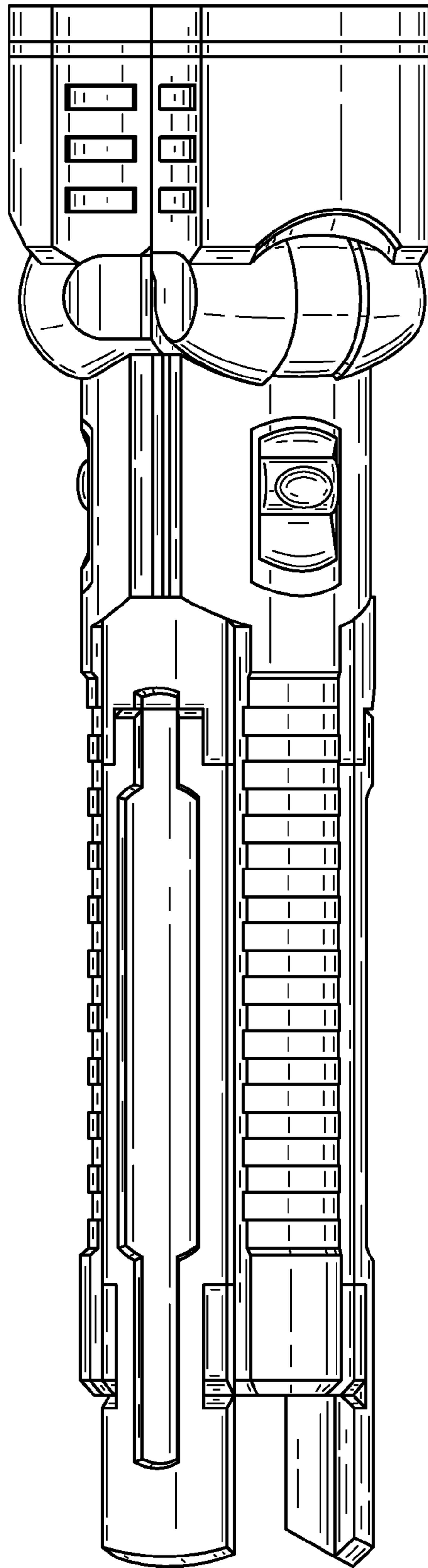


FIG. 3

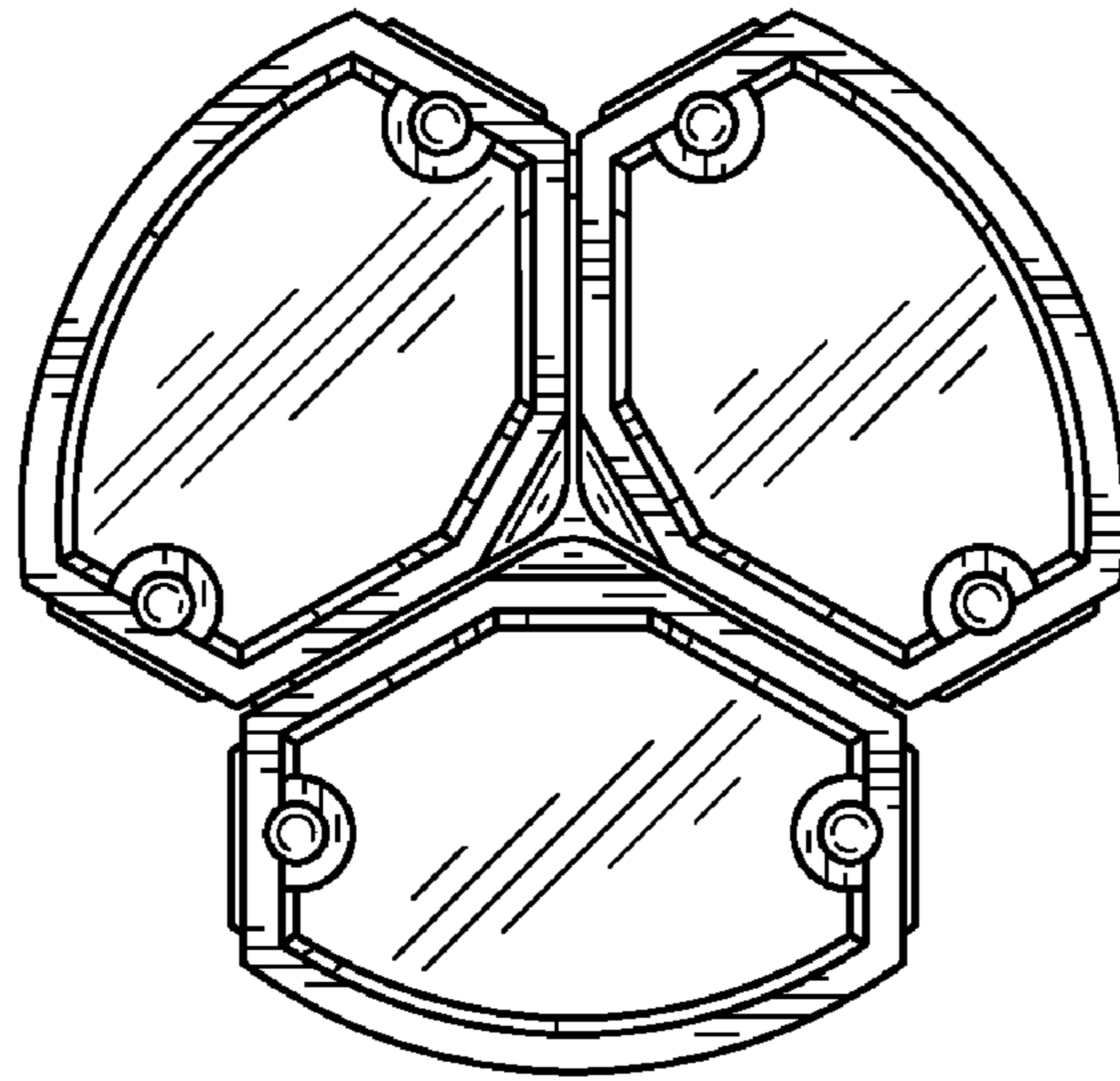


FIG. 4

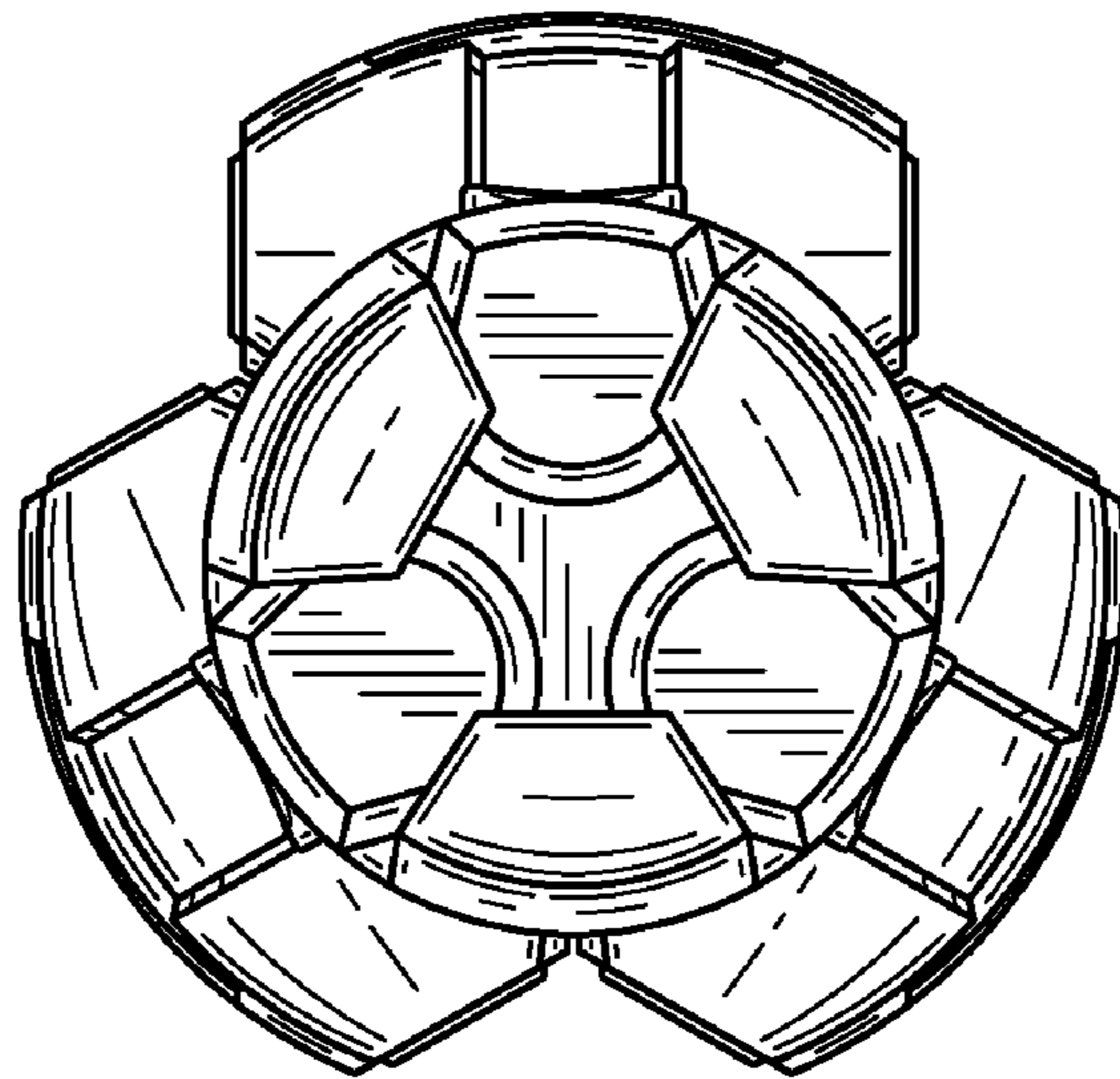


FIG. 5

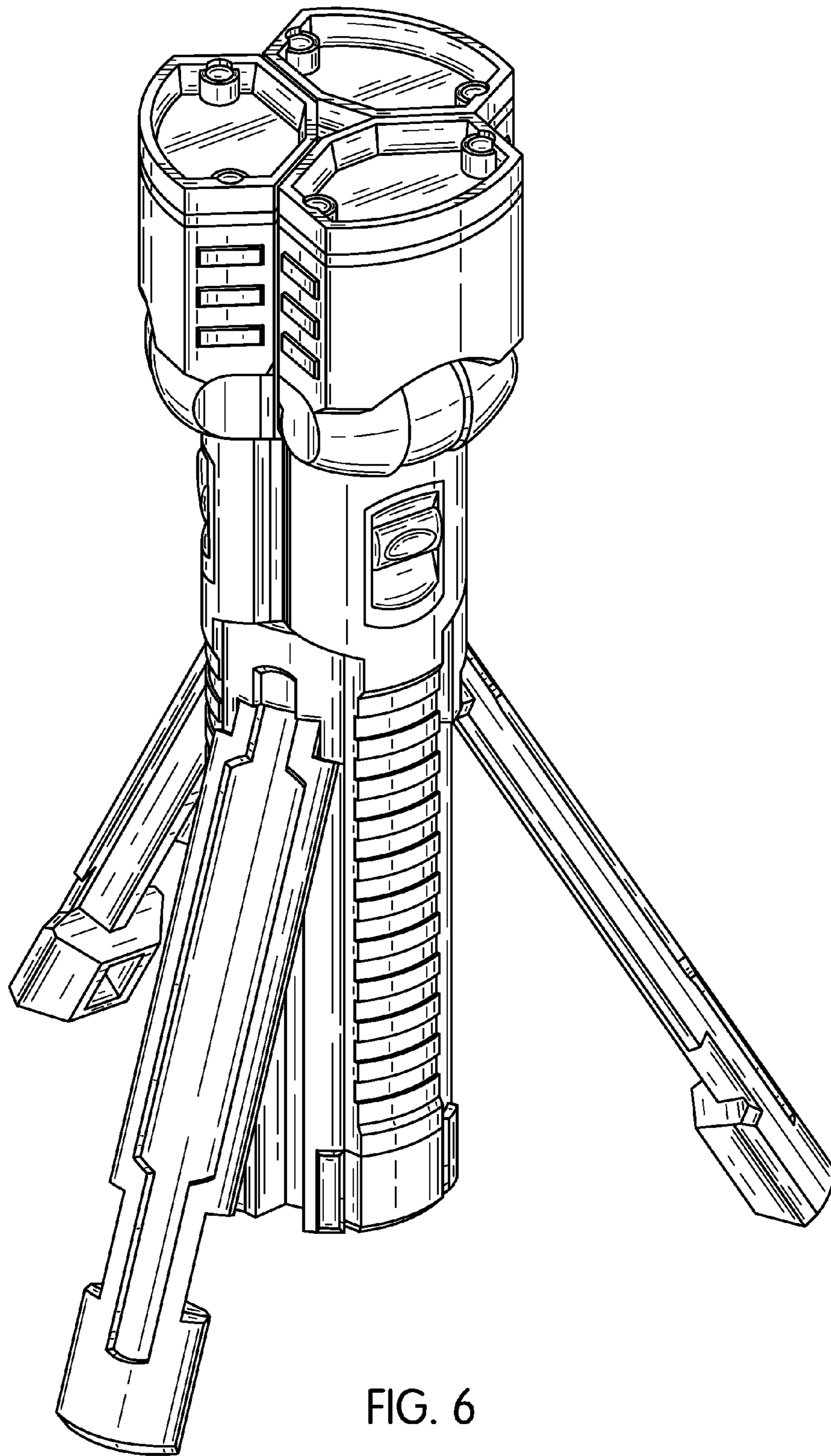


FIG. 6

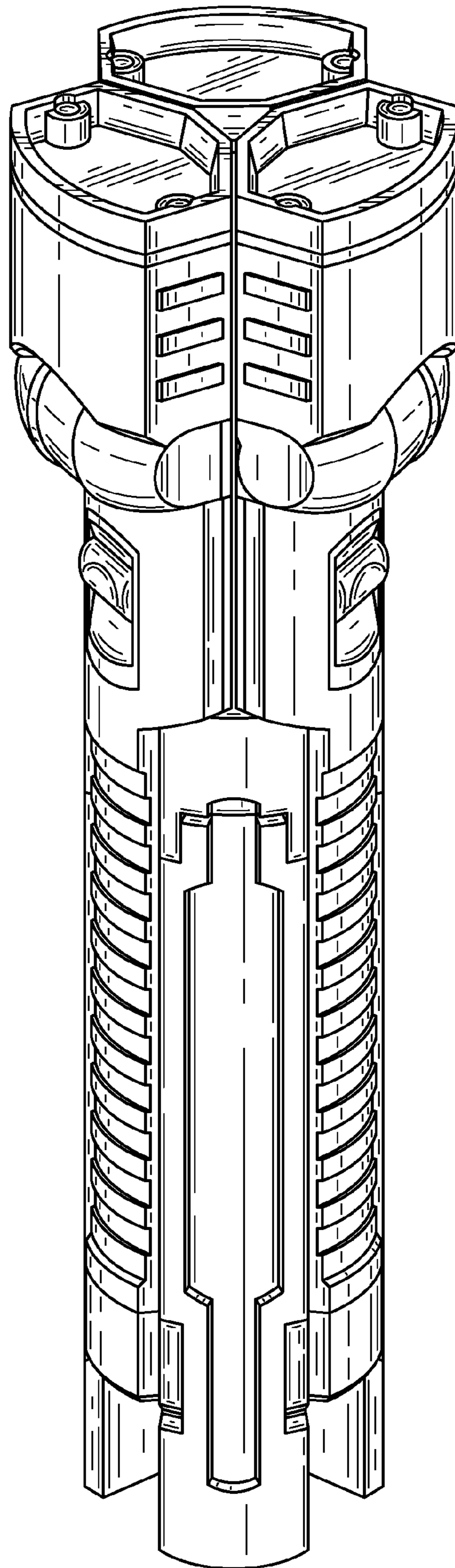


FIG. 7