



US00D625030S

(12) **United States Design Patent**
Yamamoto et al.

(10) **Patent No.:** **US D625,030 S**
(45) **Date of Patent:** **** Oct. 5, 2010**

(54) **LIGHT EMITTING DIODE LAMP**

(75) Inventors: **Junichiro Yamamoto**, Kanagawa (JP);
Aiko Hiraga, Kanagawa (JP); **Shigeru Osawa**, Kanagawa (JP)

(73) Assignees: **Toshiba Lighting & Technology Corporation**, Kanagawa (JP);
Kabushiki Kaisha Toshiba, Tokyo (JP)

(**) Term: **14 Years**

(21) Appl. No.: **29/356,364**

(22) Filed: **Feb. 24, 2010**

(30) **Foreign Application Priority Data**

Aug. 25, 2009 (JP) 2009-019375

(51) **LOC (9) Cl.** **26-04**

(52) **U.S. Cl.** **D26/2**

(58) **Field of Classification Search** D26/1-4;
313/313, 315, 316, 317, 318, 493; 315/52,
315/53, 56, 57, 58

See application file for complete search history.

(56) **References Cited**

U.S. PATENT DOCUMENTS

D547,886 S * 7/2007 Foo D26/2
D547,889 S * 7/2007 Huang D26/28

D565,212 S * 3/2008 Butler D26/37
D587,383 S * 2/2009 Wei D26/2
D596,765 S * 7/2009 Chiu D26/2
D614,321 S * 4/2010 Yang D26/2

* cited by examiner

Primary Examiner—Marcus A Jackson
(74) *Attorney, Agent, or Firm*—J.C. Patents

(57) **CLAIM**

The ornamental design for a light emitting diode lamp, as shown and described.

DESCRIPTION

FIG. 1 is a perspective view of a light emitting diode lamp showing our new design;

FIG. 2 is a front view thereof, the rear view being identical to the front view;

FIG. 3 is a right side view thereof, the left side view being identical to the right side view;

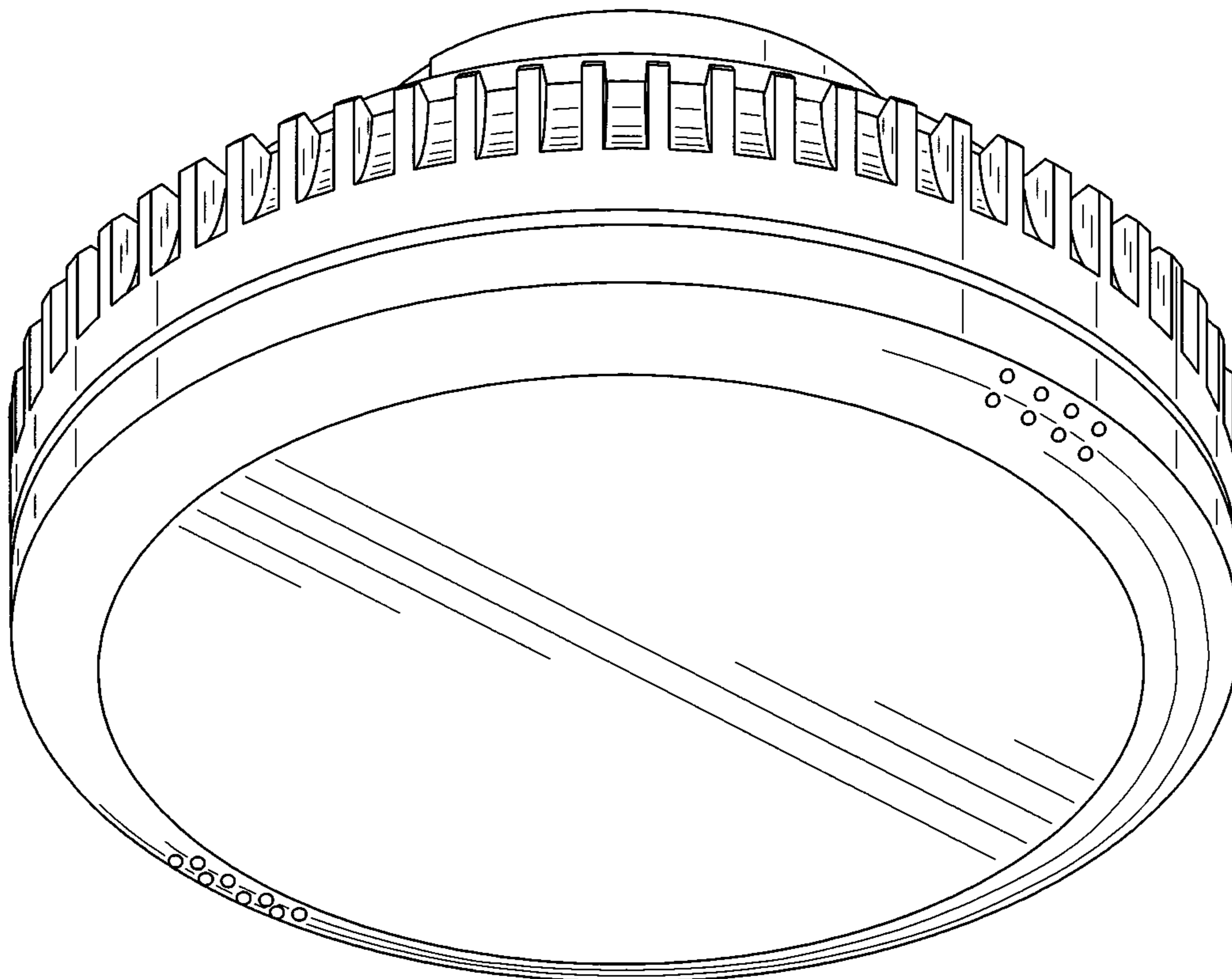
FIG. 4 is a top view thereof;

FIG. 5 is a bottom view thereof; and,

FIG. 6 is a cross-sectional view taken along line 6—6 in FIG. 3 with the internal parts omitted.

The portion shown in double cross-hatched lines in FIG. 6 is pervious to light.

1 Claim, 5 Drawing Sheets



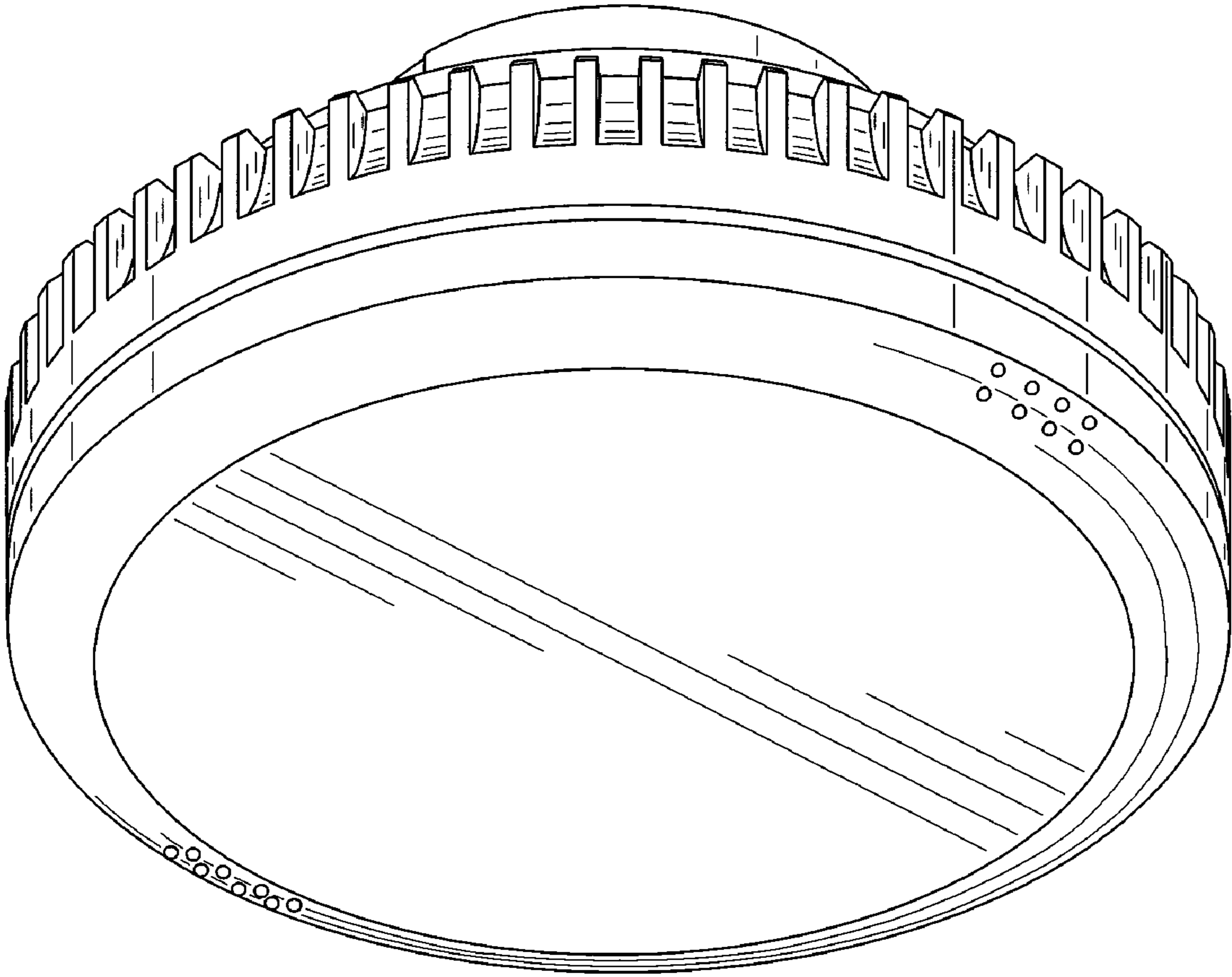


FIG. 1

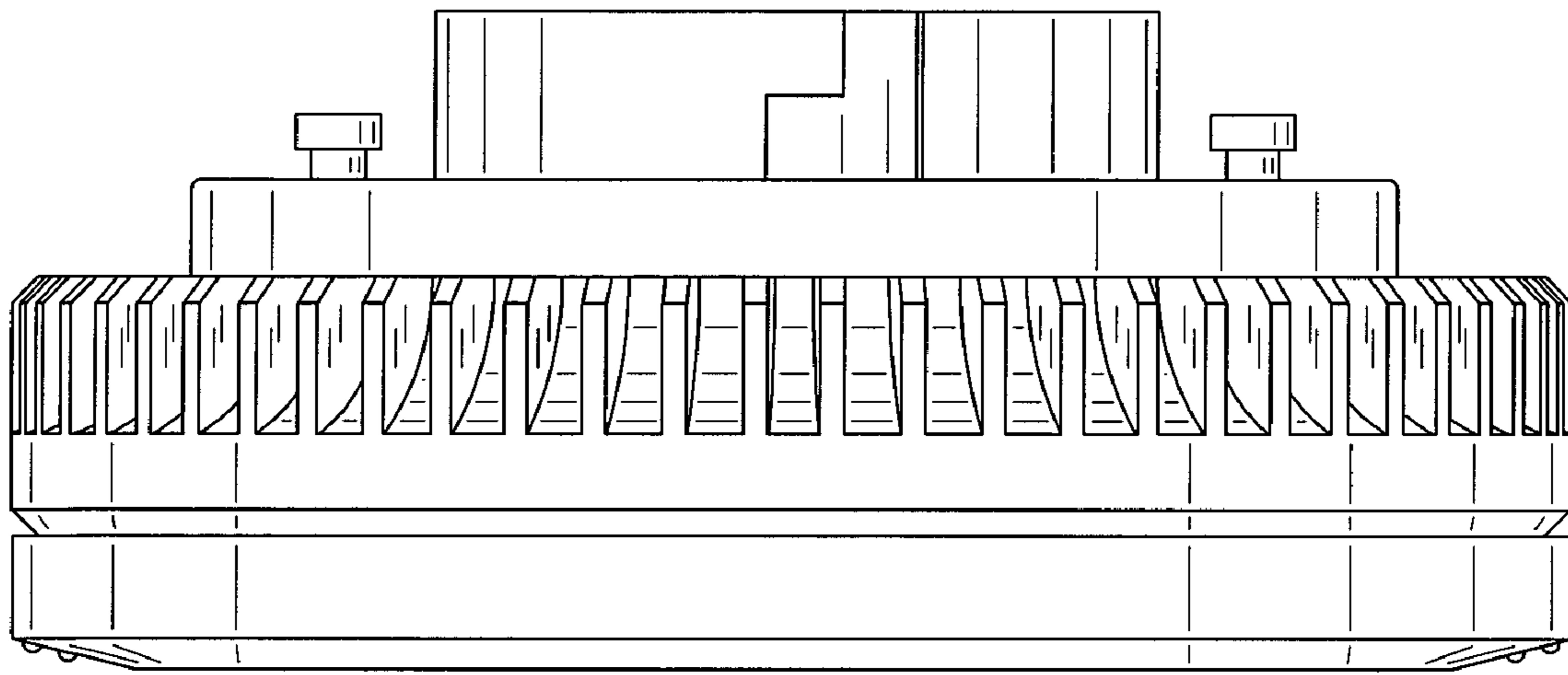


FIG. 2

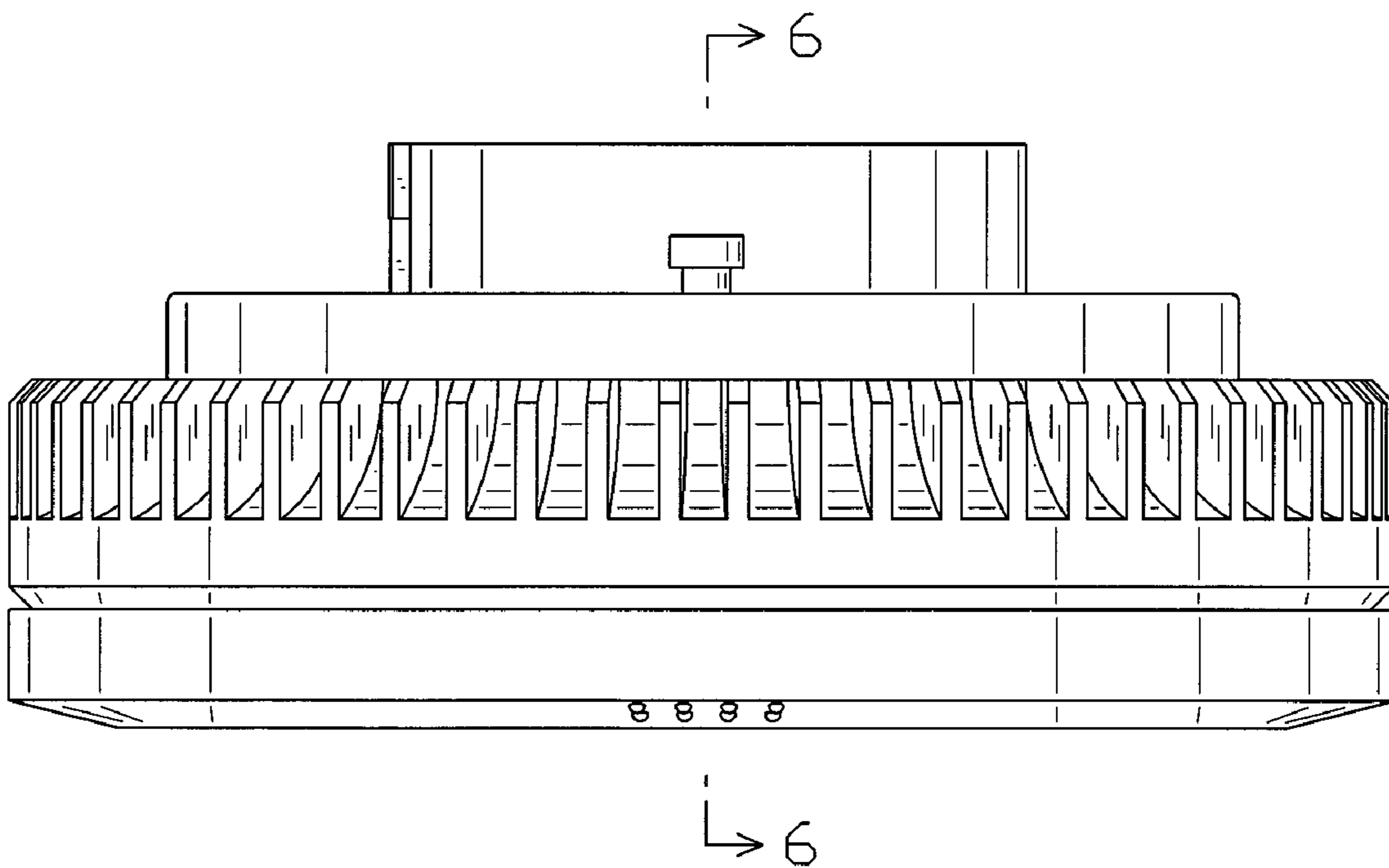


FIG. 3

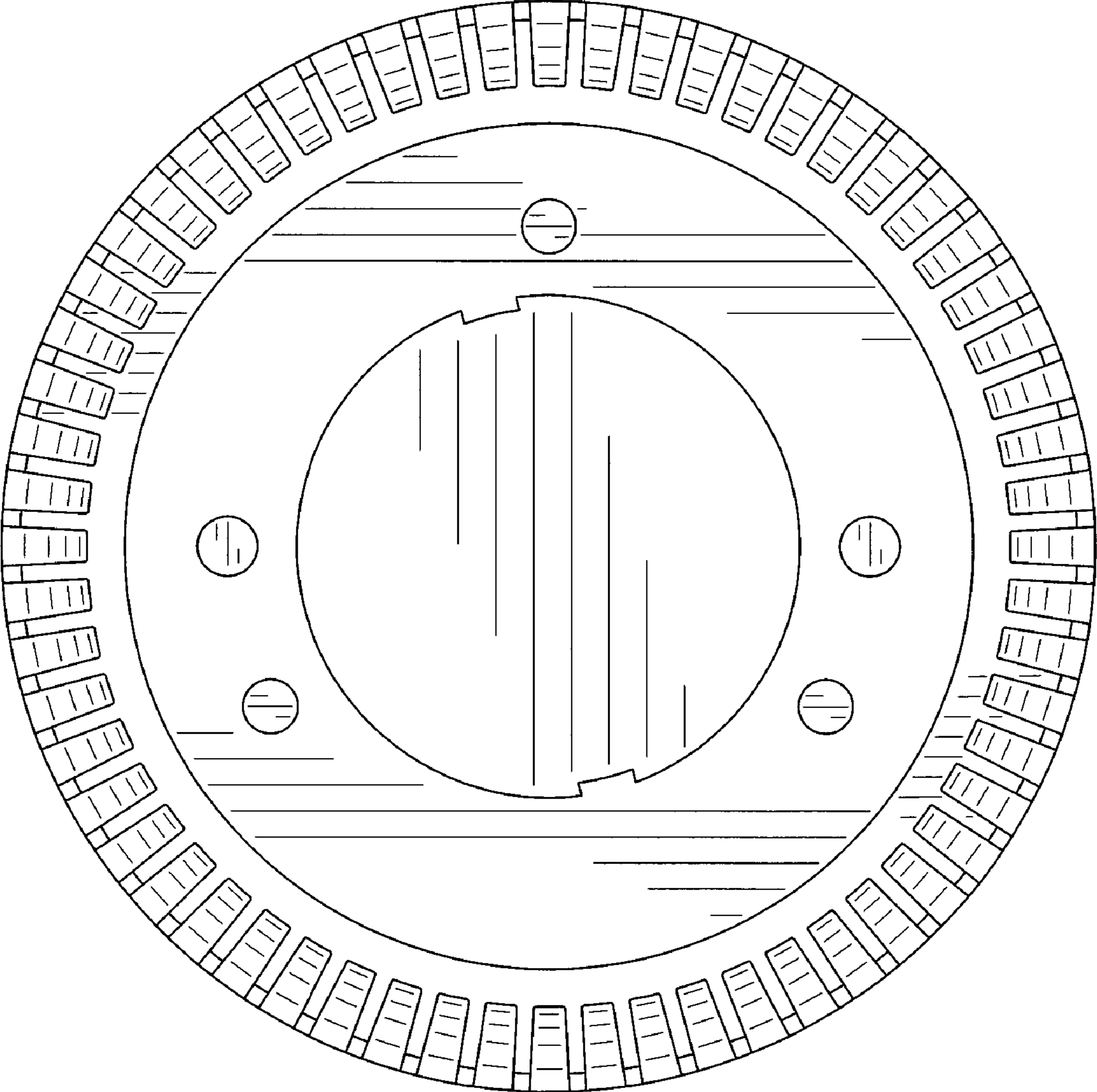


FIG. 4

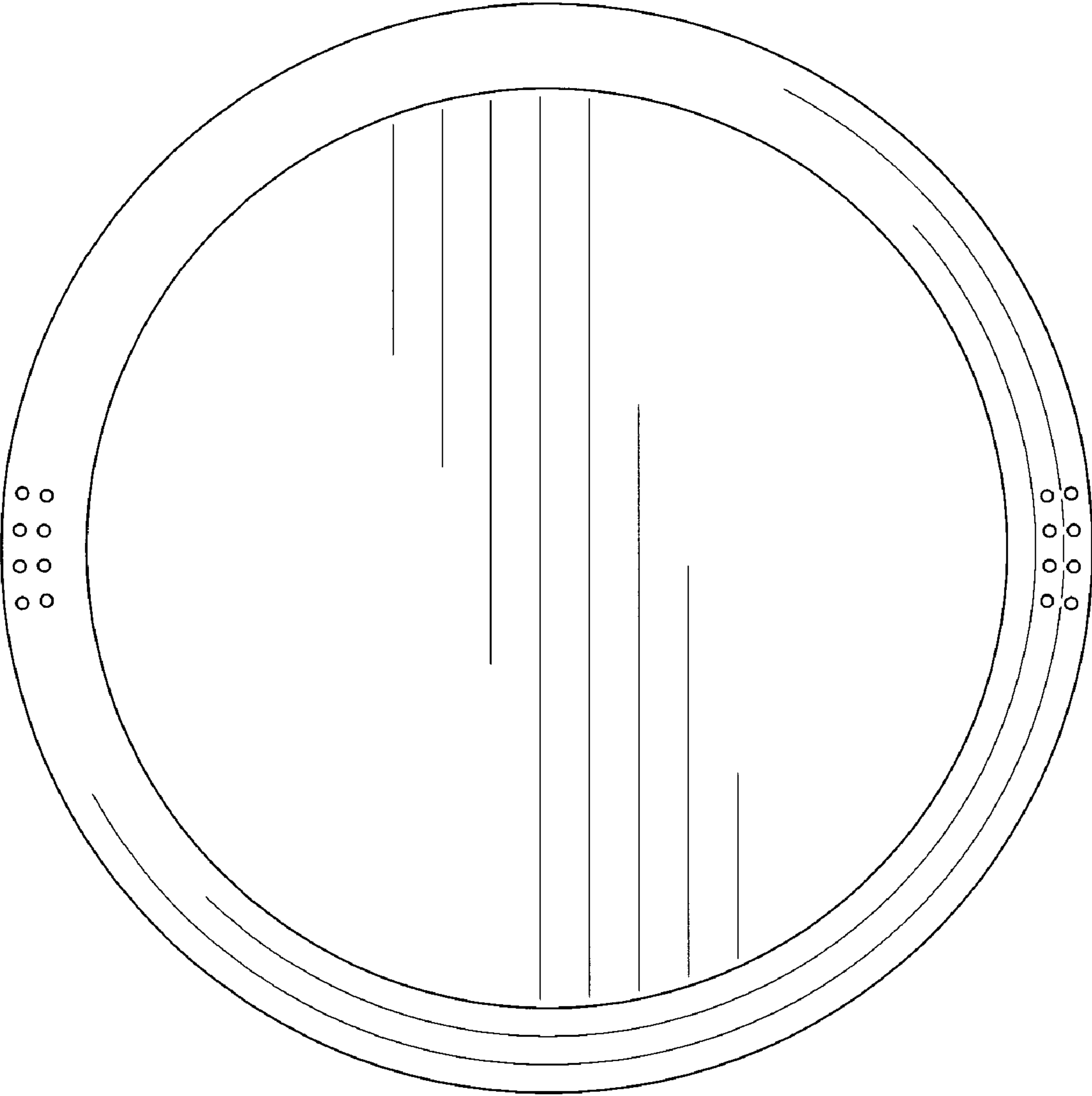


FIG. 5

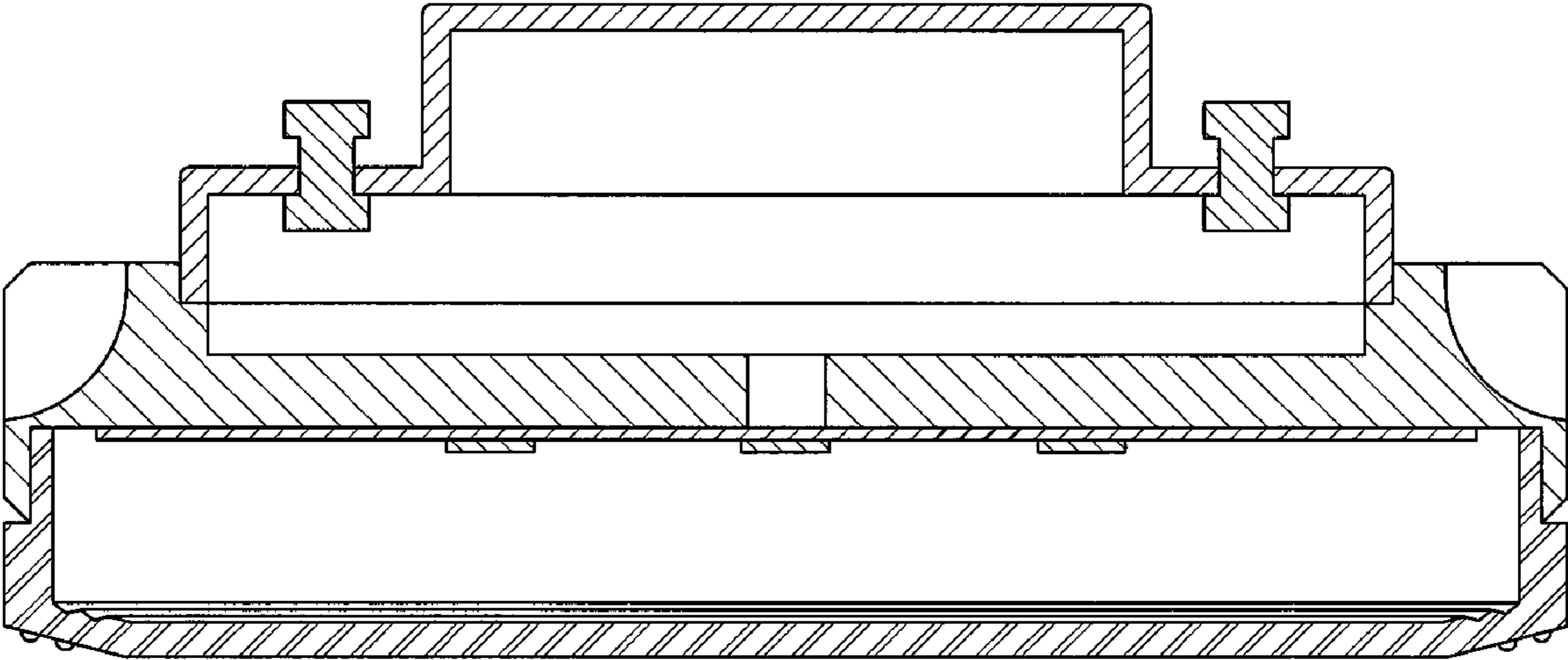


FIG. 6