



US00D625029S

(12) **United States Design Patent**
Badgley et al.

(10) **Patent No.:** **US D625,029 S**
(45) **Date of Patent:** **** Oct. 5, 2010**

(54) **UTILITY POLE**

(75) Inventors: **Peter Badgley**, Puslinch (CA);
Christian Deveau, Ancaster (CA)

(73) Assignee: **U.S. Steel Canada Inc.**, Hamilton,
Ontario (CA)

(**) Term: **14 Years**

(21) Appl. No.: **29/353,453**

(22) Filed: **Jan. 8, 2010**

6,705,058 B1 3/2004 Foust et al.
6,709,535 B2 3/2004 Utsumi et al.
6,712,330 B1 3/2004 Damiano
6,742,314 B2 6/2004 Young
6,925,754 B1 8/2005 Tearoe
6,976,510 B2 12/2005 Campagna
7,171,793 B2 2/2007 Gordin et al.
D541,956 S * 5/2007 Paharik et al. D25/126
7,253,786 B1 * 8/2007 Logozzo 343/890

(Continued)

Related U.S. Application Data

(63) Continuation-in-part of application No. 11/826,405,
filed on Jul. 16, 2007, now abandoned.

(51) **LOC (9) Cl.** **25-01**

(52) **U.S. Cl.** **D25/125**

(58) **Field of Classification Search** D25/126;
52/831, 834

See application file for complete search history.

FOREIGN PATENT DOCUMENTS

CA 304845 10/1930

(Continued)

Primary Examiner—Doris Clark

(57) **CLAIM**

The ornamental design for a utility pole, as shown and
described.

(56) **References Cited**

U.S. PATENT DOCUMENTS

3,942,296 A 3/1976 Meyer
4,194,080 A 3/1980 Meisberger
4,248,025 A 2/1981 Kleine et al.
4,314,434 A 2/1982 Meisberger
4,388,787 A 6/1983 Millbright
5,081,804 A 1/1992 Andersson et al.
5,281,067 A 1/1994 Ward et al.
5,337,469 A 8/1994 Richey
5,398,478 A 3/1995 Gordin et al.
5,481,846 A 1/1996 Macchietto
5,524,408 A 6/1996 Richey
D384,756 S * 10/1997 Wilmotte D25/126
5,823,898 A 10/1998 Wang
5,909,005 A 6/1999 Boston
6,167,673 B1 1/2001 Fournier
6,216,414 B1 4/2001 Feldberg
6,260,512 B1 7/2001 Newman
6,328,273 B1 12/2001 Kemikem
6,405,991 B1 6/2002 Damiano

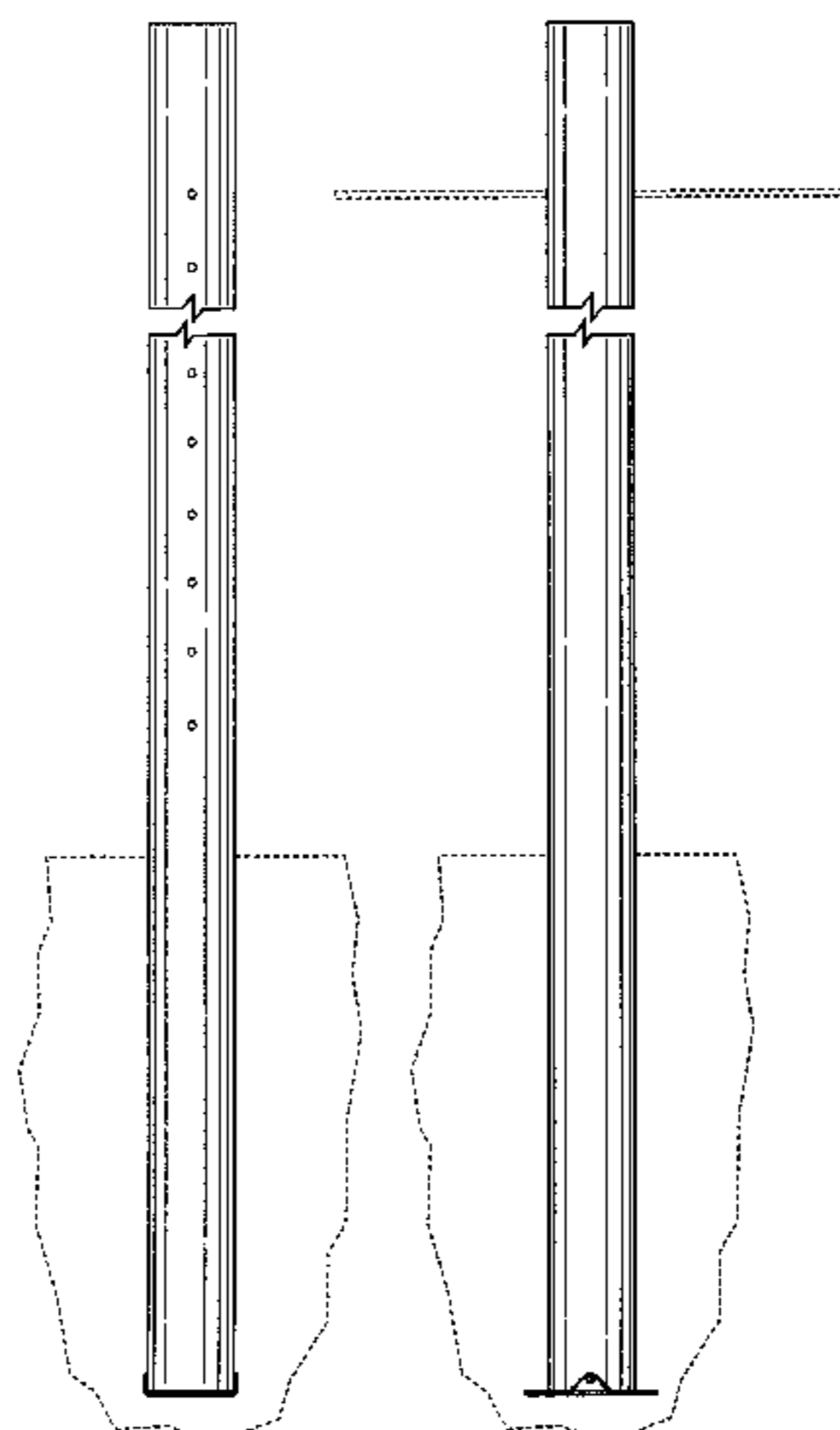
DESCRIPTION

FIG. 1 is a side view of a first side of the utility pole;
FIG. 2 is a side view of a second side thereof;
FIG. 3 is a top view thereof;
FIG. 4 is a bottom view thereof; and,
FIG. 5 is a side view of the fourth side thereof.

A view of the third side of the utility pole is not provide
because it is identical to the first side thereof.

The broken lines in FIGS. 1 and 2 are for the purpose of
illustrating environment and form no part of the claimed
design.

1 Claim, 2 Drawing Sheets



US D625,029 S

Page 2

U.S. PATENT DOCUMENTS

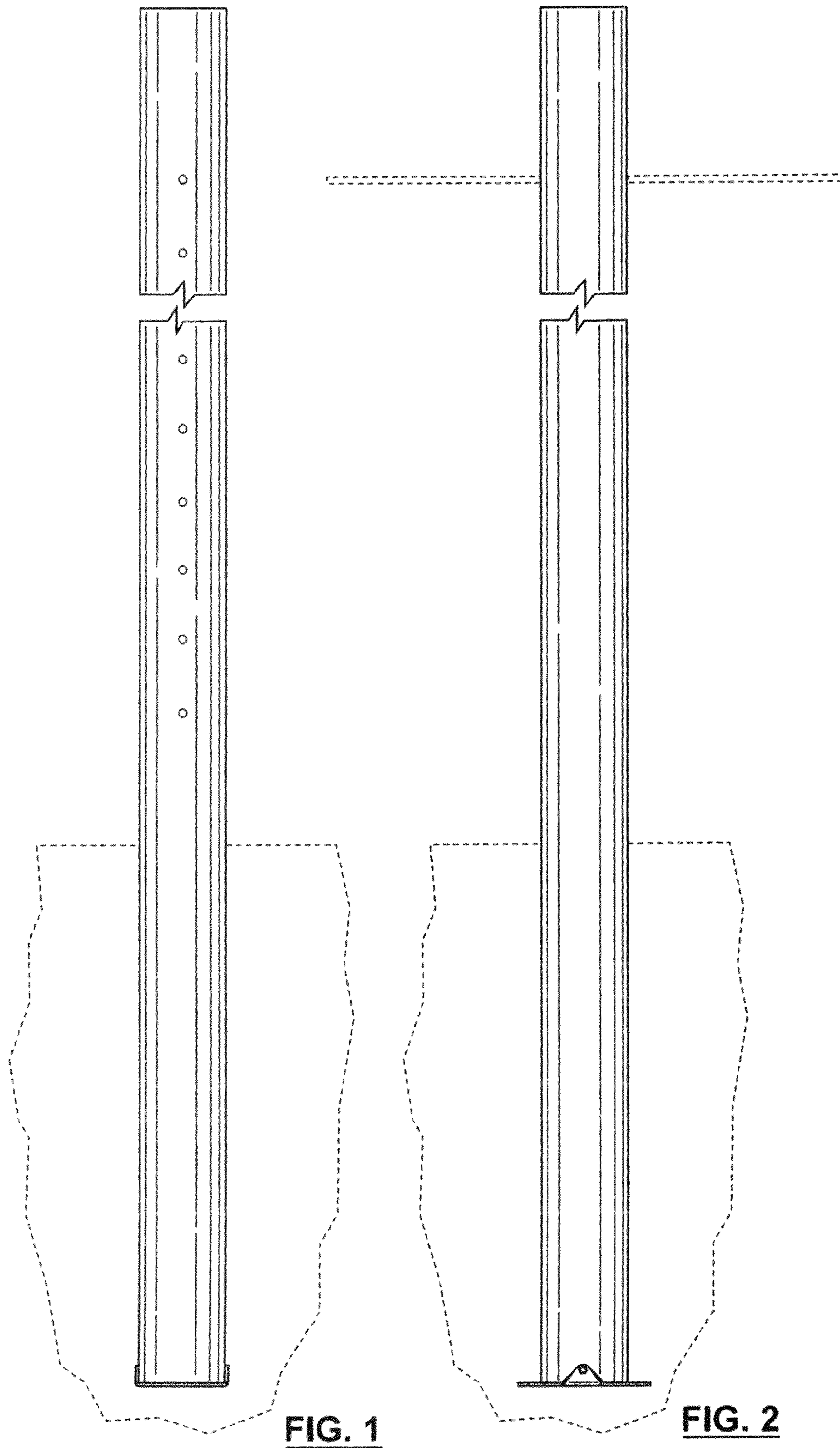
7,278,247 B2 10/2007 Baumgartner
7,426,807 B2* 9/2008 Cadwell et al. 52/834
7,464,512 B1 12/2008 Perina
7,591,119 B2* 9/2009 Ritz 52/835
7,600,947 B2 10/2009 Kwon
2002/0060083 A1 5/2002 Brook et al.
2004/0084582 A1 5/2004 Kralic
2005/0161654 A1 7/2005 Ancell
2006/0019038 A1 1/2006 Kempkes
2006/0088386 A1 4/2006 Ellis
2007/0245674 A1 10/2007 Hubbell
2007/0283765 A1 12/2007 Deuar

FOREIGN PATENT DOCUMENTS

CA 1300845 5/1992

CA 2097339 12/1994
CA 2423242 7/2004
CN 2329726 Y 7/1999
GB 1281767 7/1972
JP 8326356 12/1996
JP 2001152365 6/2001
JP 2001207236 7/2001
JP 2004211292 7/2004
JP 2005074016 3/2005
JP 2005188279 7/2005
KR 20030035010 5/2003
KR 20040020447 3/2004
WO WO 9325767 12/1993
WO WO 9428250 12/1994

* cited by examiner



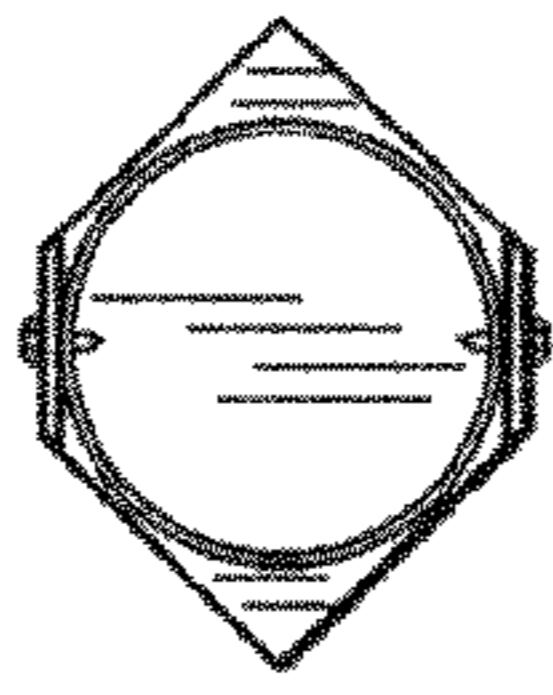


FIG. 3

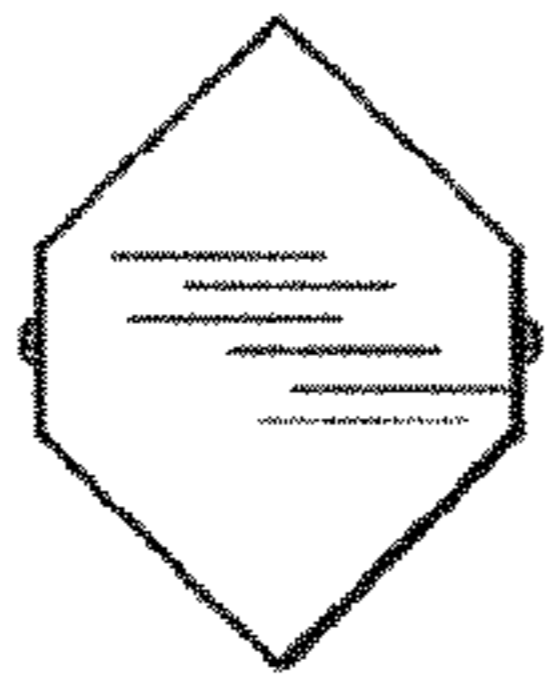


FIG. 4

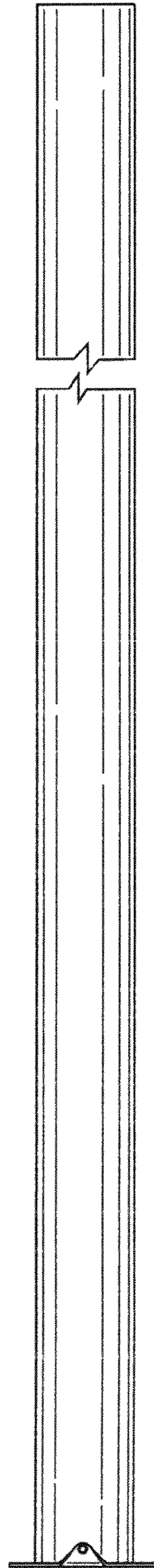


FIG. 5