



US00D625027S

(12) **United States Design Patent**
Bott

(10) **Patent No.:** **US D625,027 S**
(45) **Date of Patent:** **** Oct. 5, 2010**

(54) **MULTI-COMPONENT RETAINING WALL BLOCK**

5,688,078 A 11/1997 Hammer
5,788,423 A 8/1998 Perkins

(Continued)

(75) Inventor: **Timothy A. Bott**, Sunfish Lake, MN
(US)

FOREIGN PATENT DOCUMENTS

(73) Assignee: **Allan Block Corporation**, Edina, MN
(US)

EP 0112213 B1 4/1987

(Continued)

(**) Term: **14 Years**

OTHER PUBLICATIONS

(21) Appl. No.: **29/356,020**

Website for Poligono-Mauersystem: <http://www.ehl.de/productti.php?ProductId=529&MainPNId=6&SekPNId=47&PHPSESSID=a5d...> Jul. 30, 2009.

(22) Filed: **Feb. 18, 2010**

Primary Examiner—T. Chase Nelson
Assistant Examiner—Anhdao Doan
(74) *Attorney, Agent, or Firm*—Fredrikson & Byron, P.A.

Related U.S. Application Data

(62) Division of application No. 29/342,671, filed on Aug. 28, 2009.

(57) **CLAIM**

(51) **LOC (9) Cl.** **25-01**

The ornamental design for a multi-component retaining wall block, as shown and described.

(52) **U.S. Cl.** **D25/113**

(58) **Field of Classification Search** D25/102,
D25/112–118; D21/484–486; 52/503–505,
52/574, 575, 596, 600–605; 405/284, 286;
404/29, 30, 34, 37, 41, 42
See application file for complete search history.

DESCRIPTION

FIG. 1 is a front perspective view of the multi-component retaining wall block of my design shown assembled and stacked on a second assembled multi-component retaining wall block;

(56) **References Cited**

U.S. PATENT DOCUMENTS

3,464,211 A 9/1969 Andresen
3,877,236 A * 4/1975 O'Neill et al. D25/113
D251,305 S * 3/1979 Ceglia D25/118
4,372,091 A * 2/1983 Brown et al. D25/115
4,597,236 A 7/1986 Braxton
D300,863 S * 4/1989 McNeely D25/113
4,896,999 A 1/1990 Ruckstuhl
4,909,010 A 3/1990 Gravier
5,315,802 A 5/1994 Hart
5,337,527 A 8/1994 Wagenaar
5,350,256 A 9/1994 Hammer
5,484,236 A 1/1996 Gravier
5,623,797 A 4/1997 Gravier et al.

FIG. 2 is a right-side elevation view thereof, the left-side elevation view being a mirror image thereof;

FIG. 3 is a top plan view thereof;

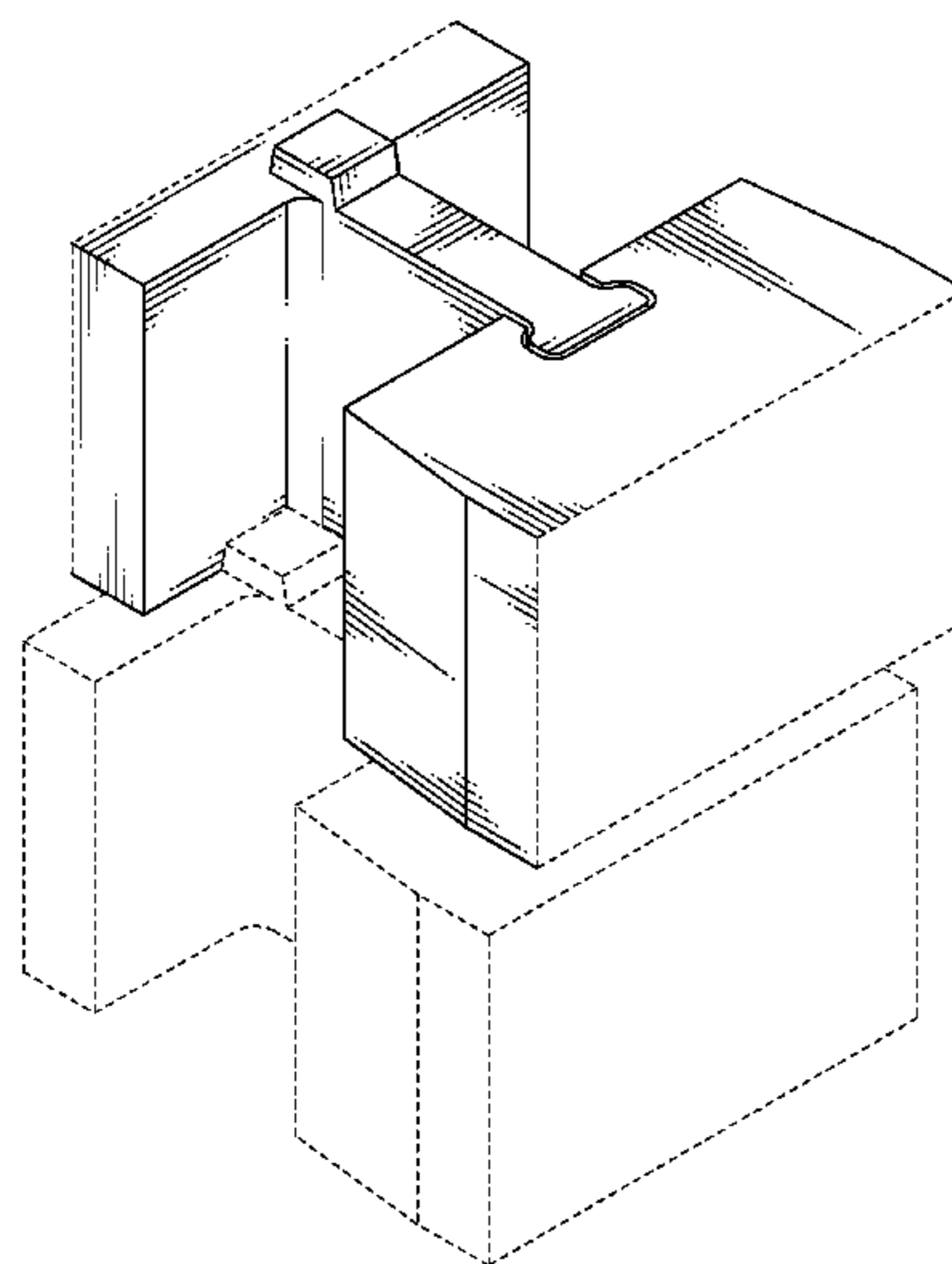
FIG. 4 is a bottom plan view thereof;

FIG. 5 is a front elevation view thereof; and,

FIG. 6 is a rear elevation view thereof.

The broken line showing of another multi-component retaining wall block in FIG. 1 represents environmental structure, and all other broken lines in the views are included for the purpose of illustrating portions of the multi-component retaining wall block that form no part of the claimed design. None of the broken lines form a part of the claimed design.

1 Claim, 4 Drawing Sheets



US D625,027 S

Page 2

U.S. PATENT DOCUMENTS

5,820,304 A 10/1998 Sorheim et al.
5,878,545 A 3/1999 Gebhart
D411,315 S * 6/1999 Bott D25/113
6,062,772 A 5/2000 Perkins
6,226,951 B1 * 5/2001 Azar 52/604
6,250,850 B1 6/2001 Price et al.
D459,487 S * 6/2002 Bott D25/118
D475,143 S 5/2003 Hammer
D526,067 S * 8/2006 Rainey D25/114
D530,832 S * 10/2006 Rainey D25/114
D539,438 S * 3/2007 Price D25/113

D548,365 S * 8/2007 Price D25/113
7,410,328 B2 8/2008 Hamel
2004/0134154 A1 7/2004 Bott
2004/0161307 A1 8/2004 Hammer
2007/0196184 A1 8/2007 Hammer et al.
2009/0000234 A1 * 1/2009 Bott et al. 52/604

FOREIGN PATENT DOCUMENTS

EP 1862597 B1 12/2009
WO 20080157828 A2 12/2008

* cited by examiner

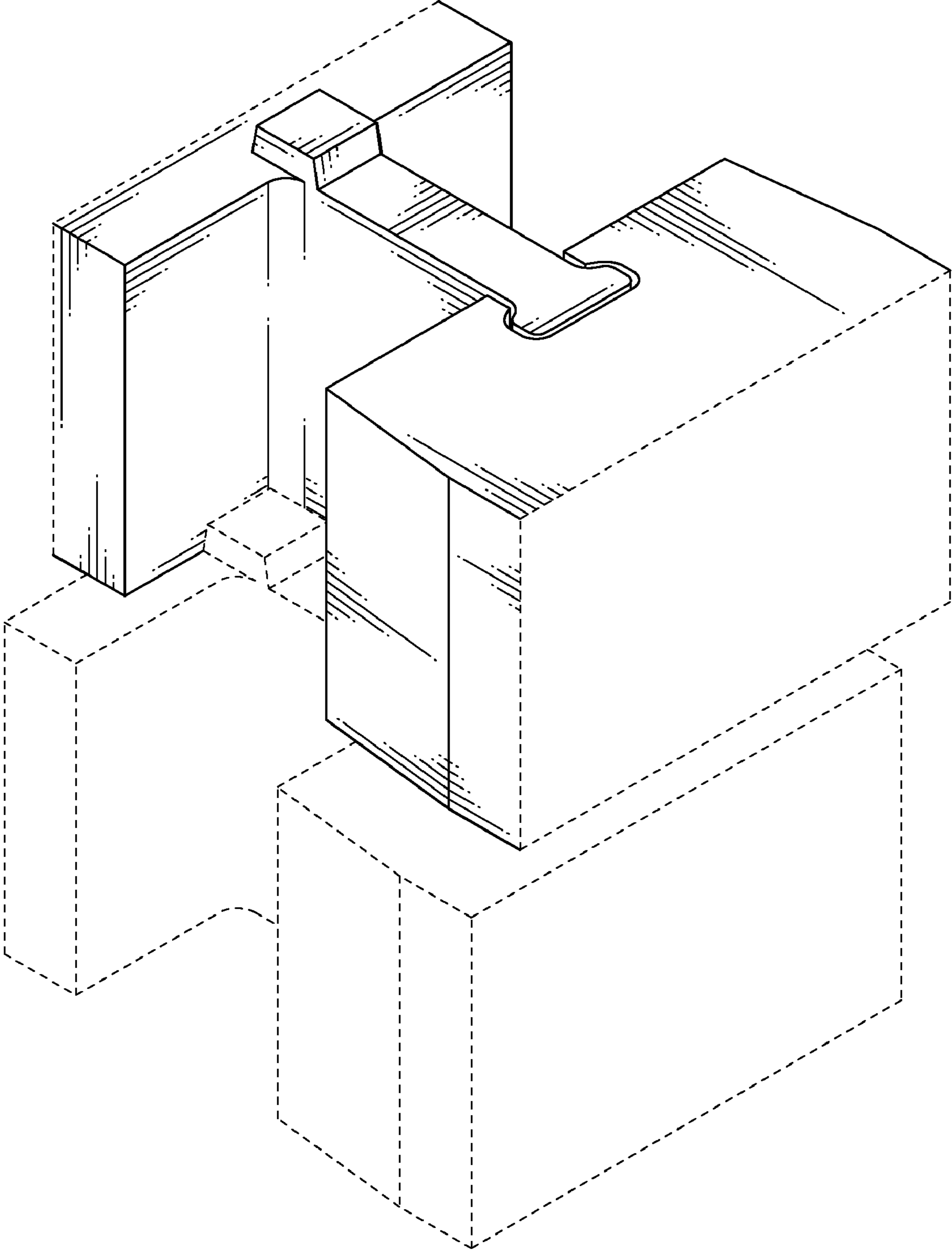


FIG. 1

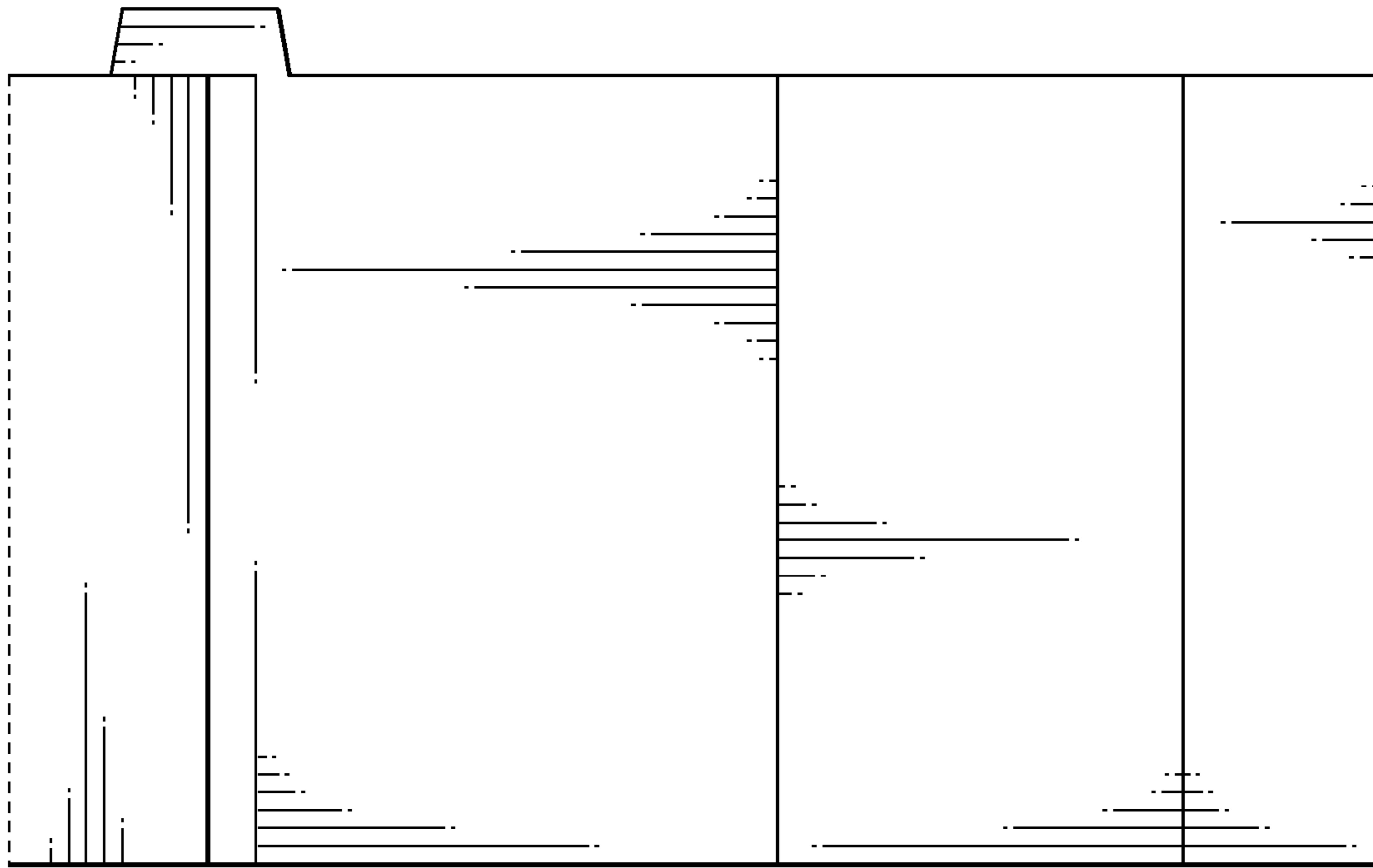


FIG. 2

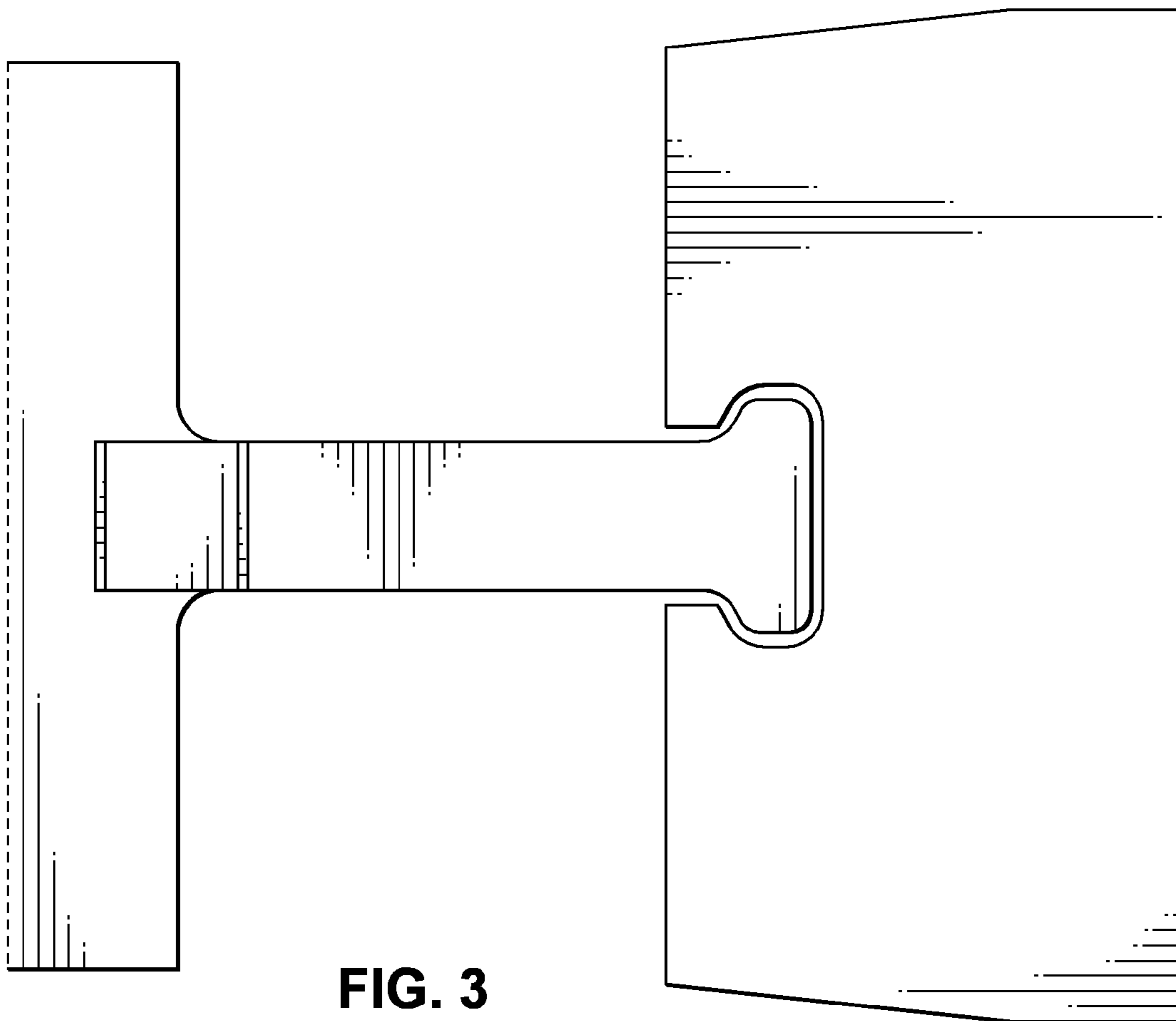


FIG. 3

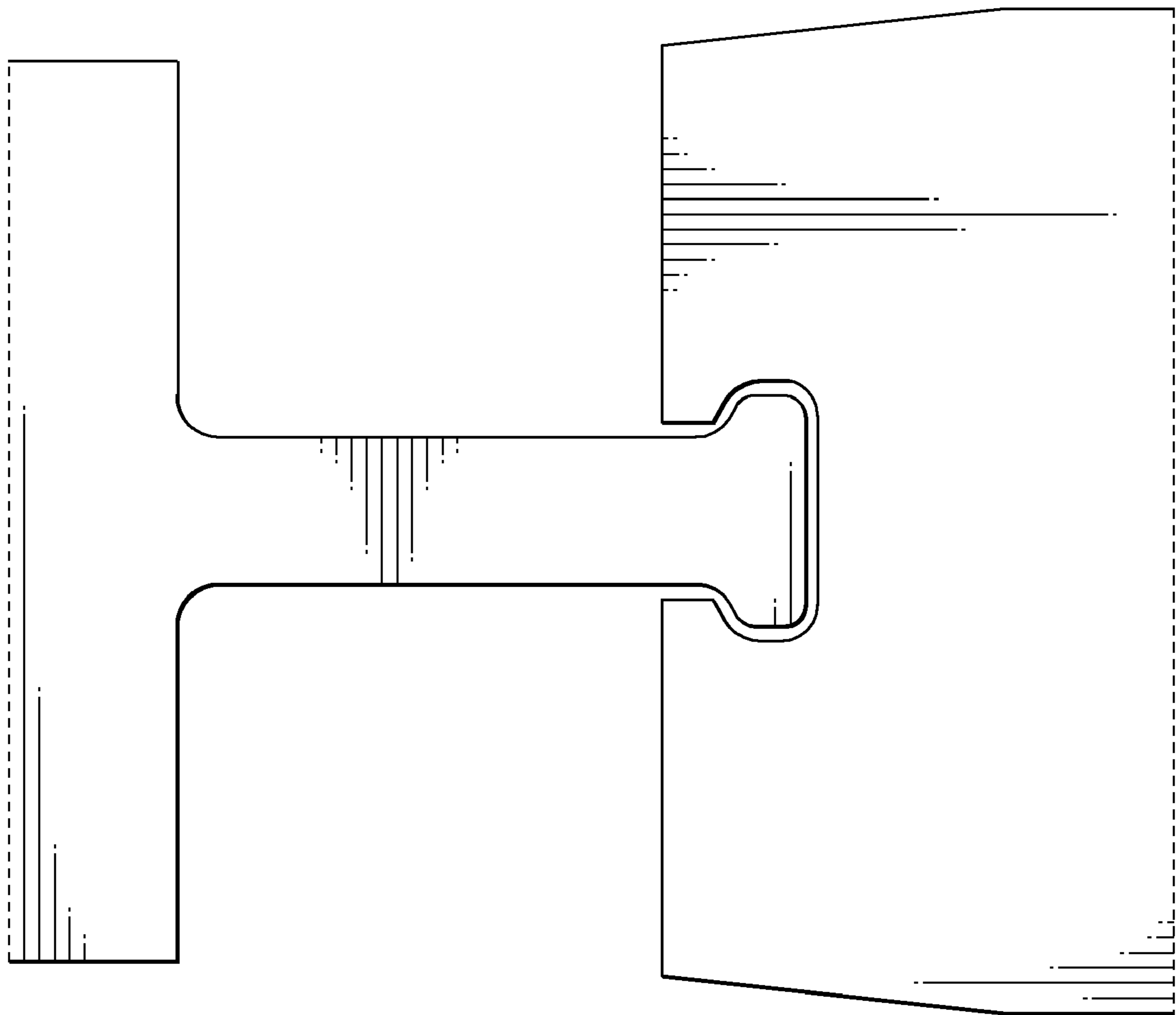


FIG. 4

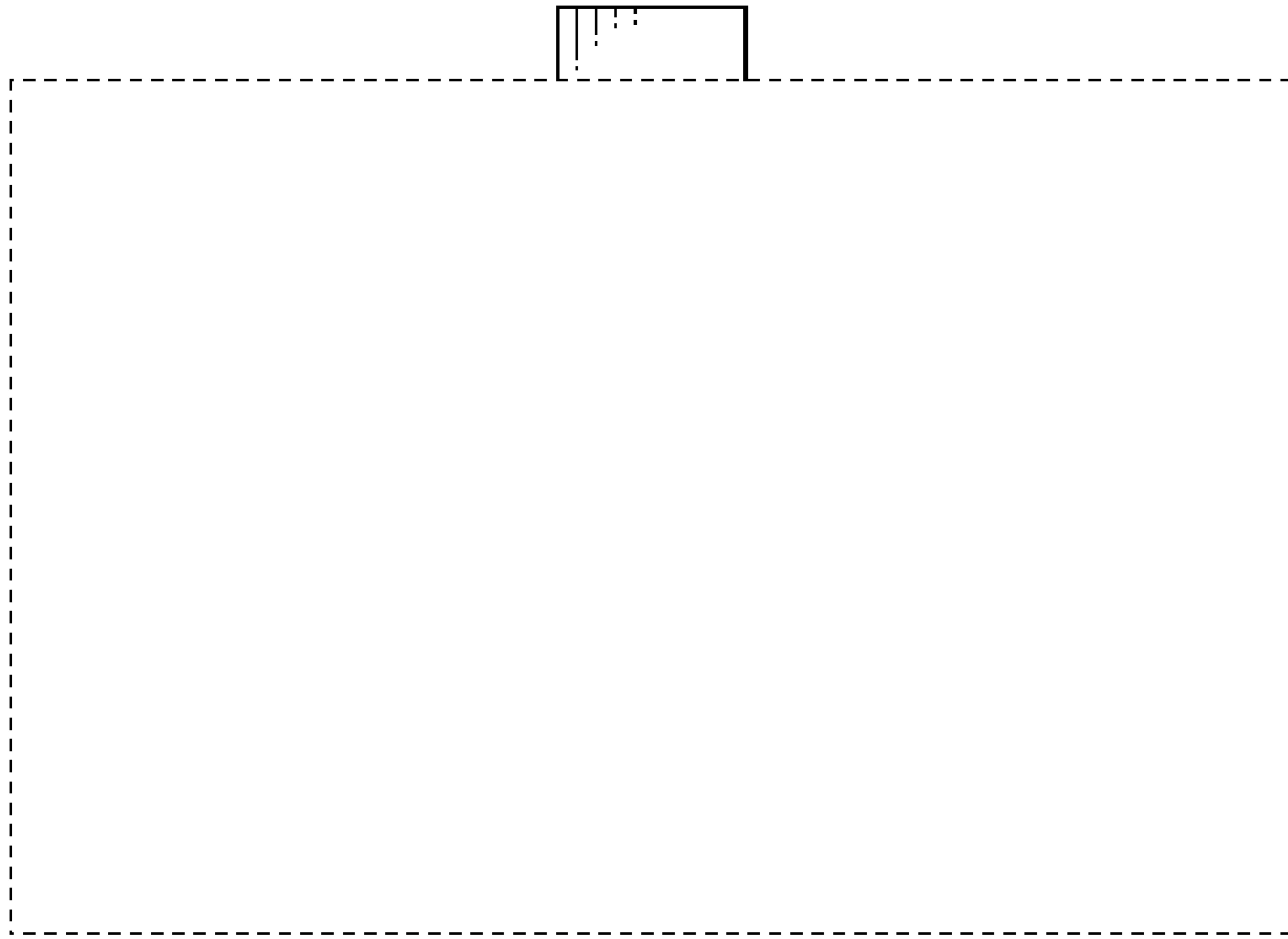


FIG. 5

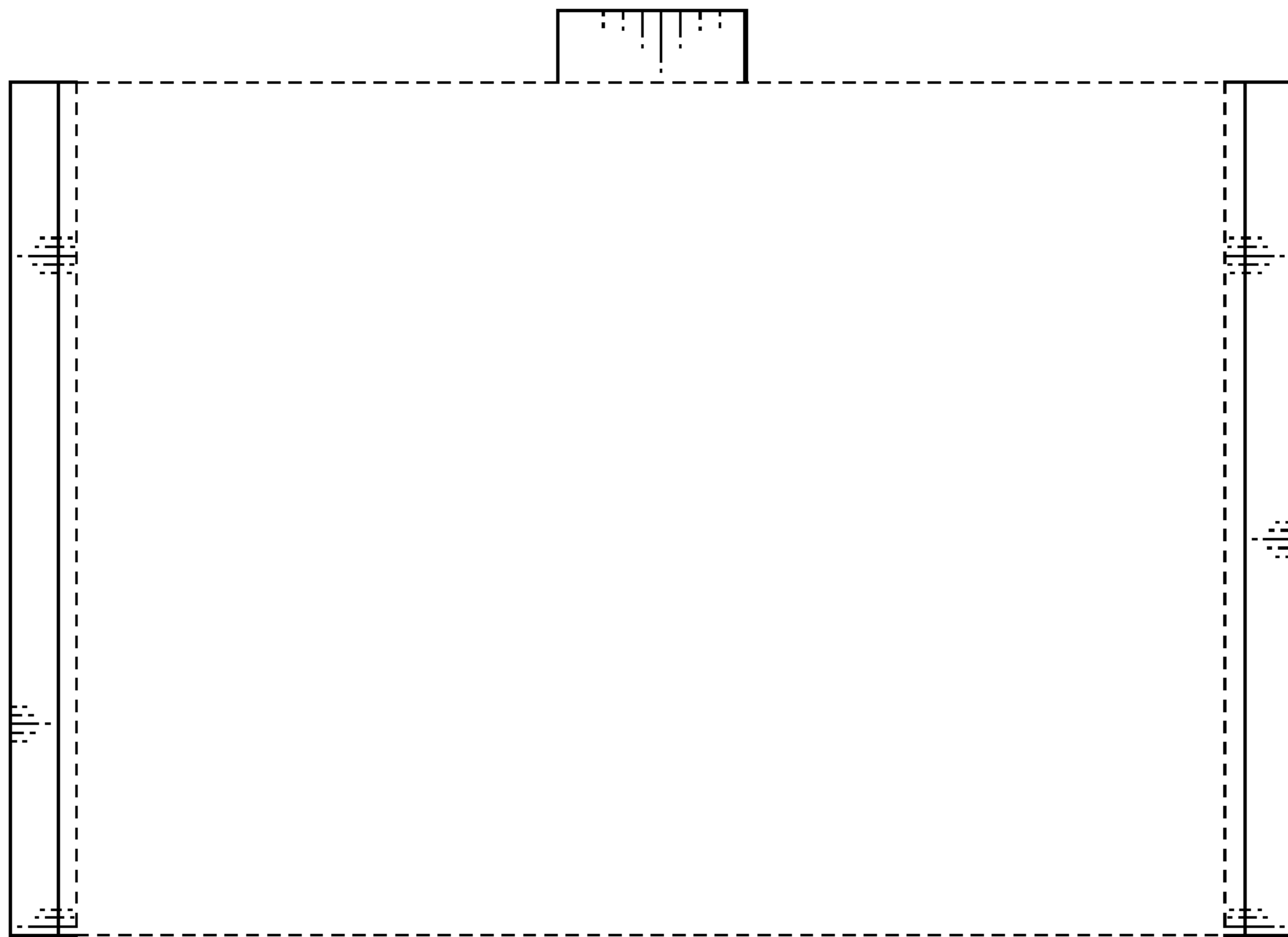


FIG. 6