



US00D625020S

(12) **United States Design Patent**
Lauzis et al.

(10) **Patent No.:** **US D625,020 S**
(45) **Date of Patent:** **** Oct. 5, 2010**

(54) **ELECTRONIC MASSAGING HEADBAND**

(76) Inventors: **Imants Lauzis**, 353 Walnut Acres Rd.,
Kelso, WA (US) 98626; **Theresa Lauzis**,
353 Walnut Acres Rd., Kelso, WA (US)
98626

(**) Term: **14 Years**

(21) Appl. No.: **29/346,620**

(22) Filed: **Nov. 3, 2009**

(51) **LOC (9) Cl.** **28-03**

(52) **U.S. Cl.** **D24/200**

(58) **Field of Classification Search** D24/200,
D24/206, 209, 210, 185-187, 214, 215; 601/15,
601/16, 21, 46, 48, 64, 80, 68-70, 134-137,
601/79; 607/96, 98, 99, 1; D14/205; D28/9
See application file for complete search history.

(56) **References Cited**

U.S. PATENT DOCUMENTS

3,478,736	A	11/1969	Roberts et al.	
D305,072	S *	12/1989	Ferguson	D28/9
5,115,769	A	5/1992	Fiorini	
D328,497	S	8/1992	Morrison et al.	
D345,163	S *	3/1994	Yamatogi	D14/205
D358,388	S *	5/1995	Nakamura et al.	D14/205
D358,389	S *	5/1995	Isono	D14/205
5,468,218	A	11/1995	Ward	
D430,140	S *	8/2000	Roman	D14/205

6,179,794	B1	1/2001	Burras	
6,575,923	B1	6/2003	Burr	
D491,668	S *	6/2004	Lew	D24/200
D504,177	S *	4/2005	Erfan	D24/200
D534,155	S *	12/2006	Obata	D14/205
D534,156	S *	12/2006	Obata	D14/205
D540,301	S *	4/2007	Obata	D14/205
D541,257	S *	4/2007	Thursfield	D14/205
D603,371	S *	11/2009	Boateng et al.	D14/205
D615,209	S *	5/2010	Minogue et al.	D24/200

* cited by examiner

Primary Examiner—T. Chase Nelson
Assistant Examiner—David G Muller
(74) *Attorney, Agent, or Firm*—Kyle Fletcher

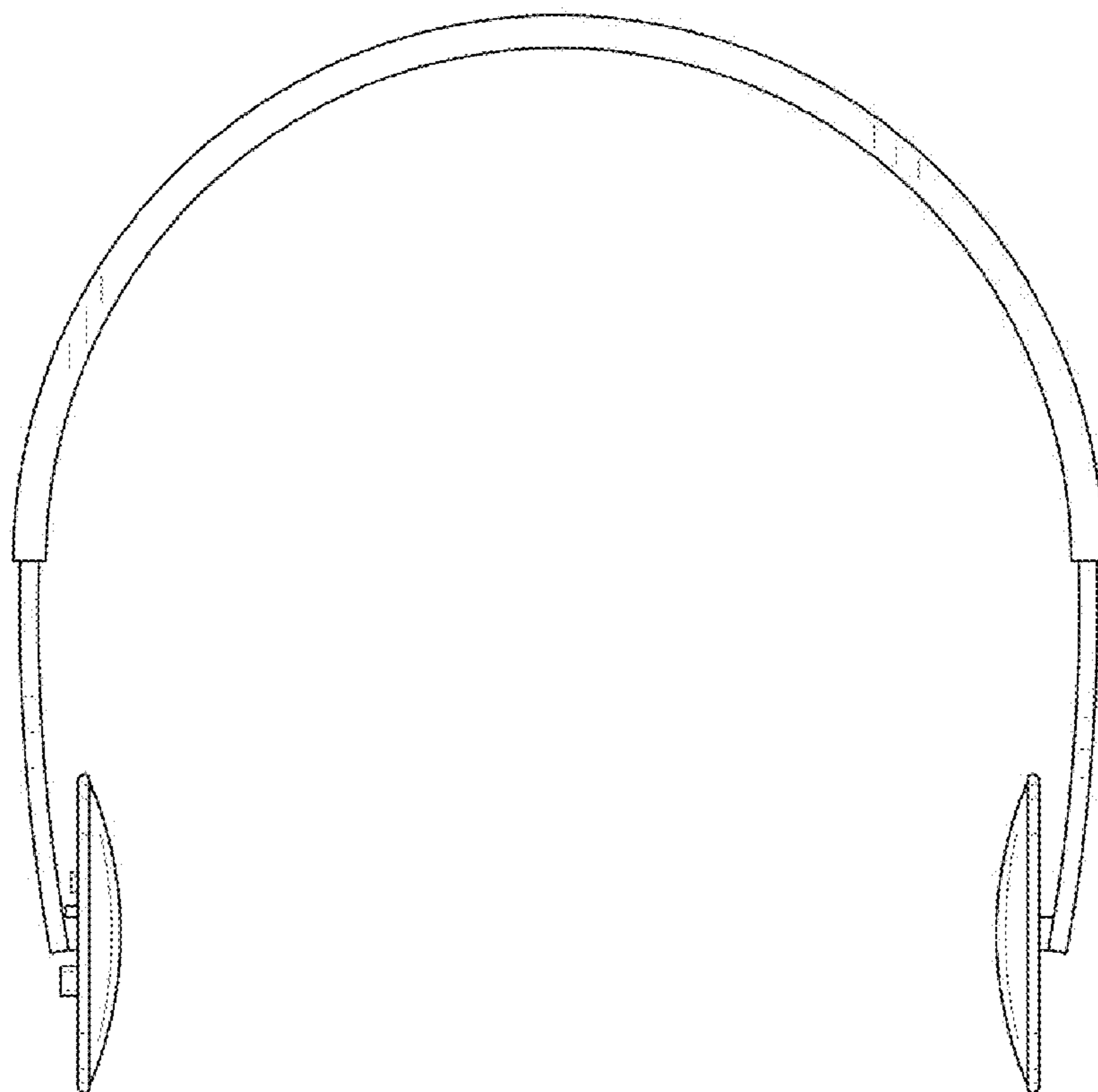
(57) **CLAIM**

The ornamental design for an electronic massaging headband, as shown and described.

DESCRIPTION

FIG. 1 is a front view of the electronic massaging headband.
FIG. 2 is a rear view of the claimed design.
FIG. 3 is a left view of the claimed design.
FIG. 4 is a right view of the claimed design.
FIG. 5 is a top view of the claimed design; and,
FIG. 6 is a bottom view of the claimed design.

1 Claim, 4 Drawing Sheets



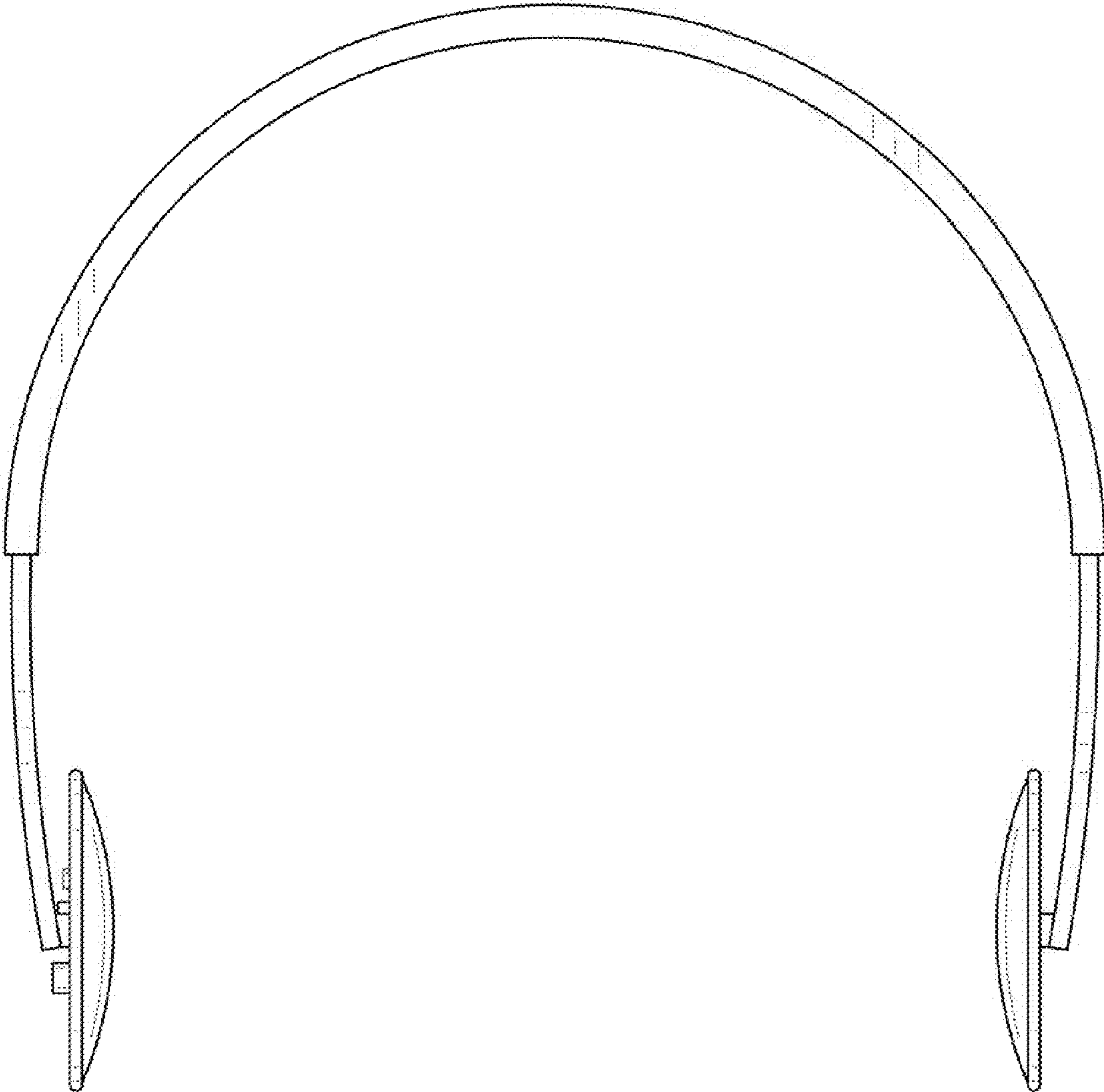


FIG. 1



FIG. 2

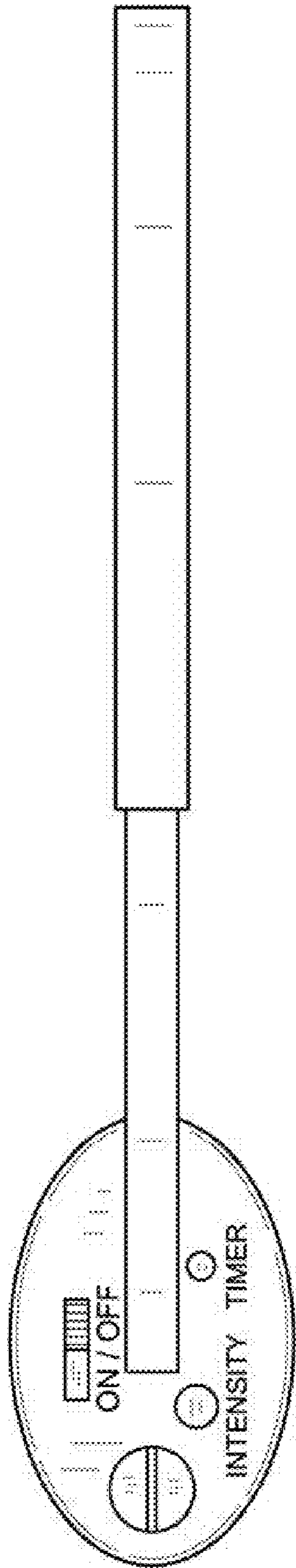


FIG. 3

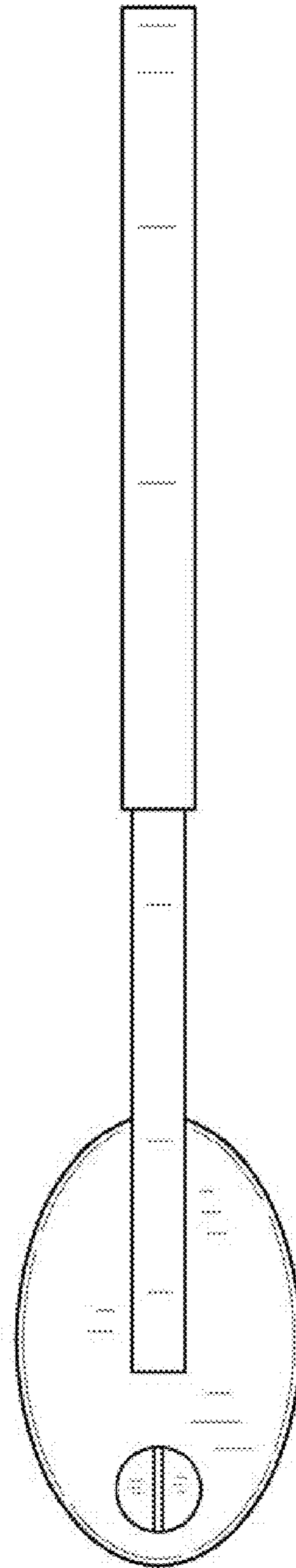


FIG. 4

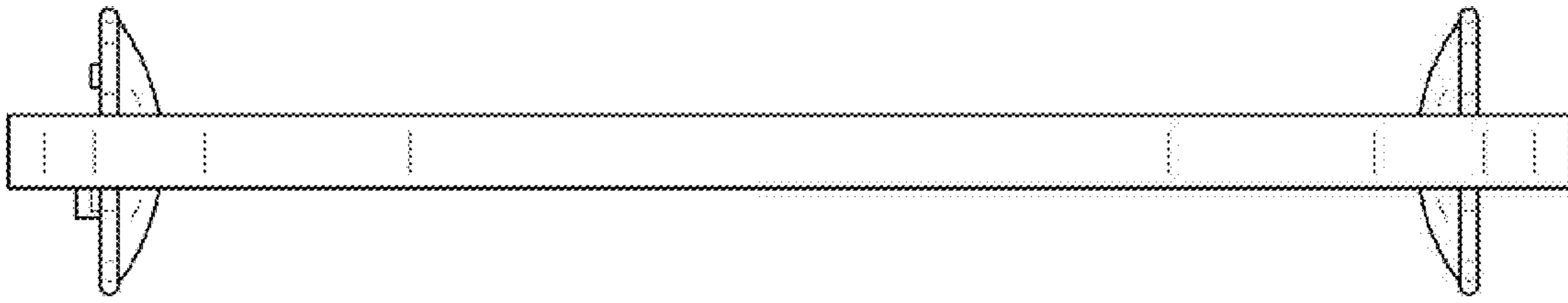


FIG. 5

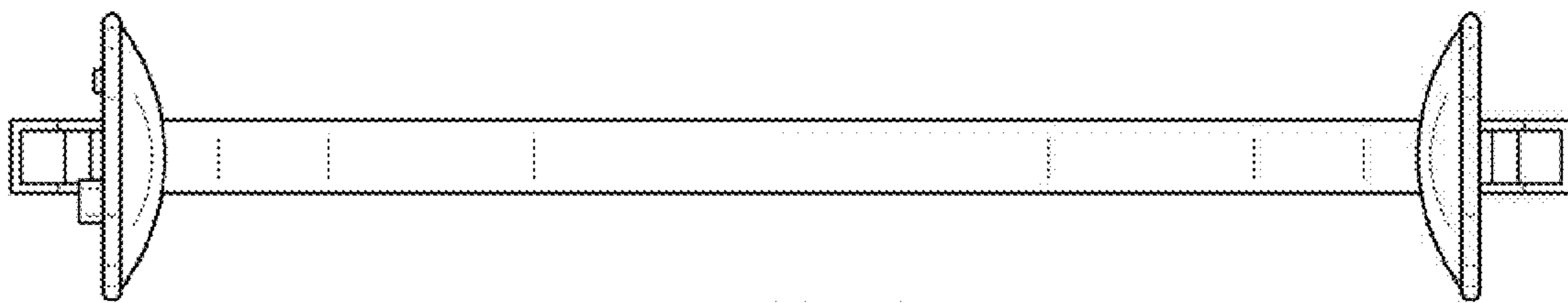


FIG. 6