



US00D625016S

(12) **United States Design Patent**
Potts et al.

(10) **Patent No.:** **US D625,016 S**
(45) **Date of Patent:** **** Oct. 5, 2010**

(54) **NEUROSTIMULATOR ASSEMBLY**

D613,868 S * 4/2010 Lhuillery et al. D24/187

(75) Inventors: **Dennis Potts**, Scotts Valley, CA (US);
Dunagan Pearson, Mountain View, CA
(US); **Joseph Vandenburg**, Mountain
View, CA (US); **C. Lance Boling**, San
Jose, CA (US); **Paul Paspas**, Los Gatos,
CA (US)

(73) Assignee: **NeuroPace, Inc.**, Mountain View, CA
(US)

(**) Term: **14 Years**

(21) Appl. No.: **29/313,006**

(22) Filed: **Nov. 26, 2008**

(51) **LOC (9) Cl.** **24-01**

(52) **U.S. Cl.** **D24/187; D24/155**

(58) **Field of Classification Search** D24/155,
D24/156, 167, 187, 200, 231; 606/70-71,
606/166, 246-249, 258, 267, 280, 286, 283,
606/299, 396, 903, 905-906; 607/2; 623/17.11,
623/16.71

See application file for complete search history.

(56) **References Cited**

U.S. PATENT DOCUMENTS

D261,552 S	*	10/1981	Boroda	D24/200
D316,145 S	*	4/1991	Ware	D24/167
D318,539 S	*	7/1991	Challard	D24/133
5,107,836 A	*	4/1992	Fenster	607/36
5,144,946 A	*	9/1992	Weinberg et al.	607/2
D337,820 S	*	7/1993	Hooper et al.	D24/155
D338,731 S	*	8/1993	Byland et al.	D24/167
D343,901 S	*	2/1994	Anderson	D24/167
D478,990 S	*	8/2003	Kroll	D24/167
D523,144 S	*	6/2006	Wenger et al.	D24/155
D559,987 S	*	1/2008	Strother et al.	D24/187
D598,552 S	*	8/2009	Potts et al.	D24/187
D598,553 S	*	8/2009	Potts et al.	D24/187
D599,910 S	*	9/2009	Potts et al.	D24/187
D606,204 S	*	12/2009	Potts et al.	D24/187
D610,261 S	*	2/2010	Strother et al.	D24/186

OTHER PUBLICATIONS

Carlson, K. (Aug. 25, 2008). "Better Control of Epilepsy is Under the Scalp," located at < <http://www.modbee.com/local/v-print/story405487.html>>, last visited on Aug. 25, 2008, four pages.

Furey, C. (Mar. 2008). "Alternative Treatment for Patients with Epilepsy Offered in Clinical Trial at Shands at UF," *Physicians Practice*, two pages.

Neuropace. (2008). "Company Overview: Responsive Neurostimulation for the Treatment of Epilepsy," located at <<http://www.neuropace.com/about/overview.html>>, last visited on Nov. 19, 2008, two pages.

(Continued)

Primary Examiner—T. Chase Nelson

Assistant Examiner—Mark Cavanna

(57) **CLAIM**

The ornamental design for a neurostimulator assembly, as shown and described.

DESCRIPTION

FIG. 1 is a perspective view of a neurostimulator assembly showing our new design;

FIG. 2 is a top view thereof;

FIG. 3 is a bottom view thereof;

FIG. 4 is a right side view thereof;

FIG. 5 is a left side view thereof;

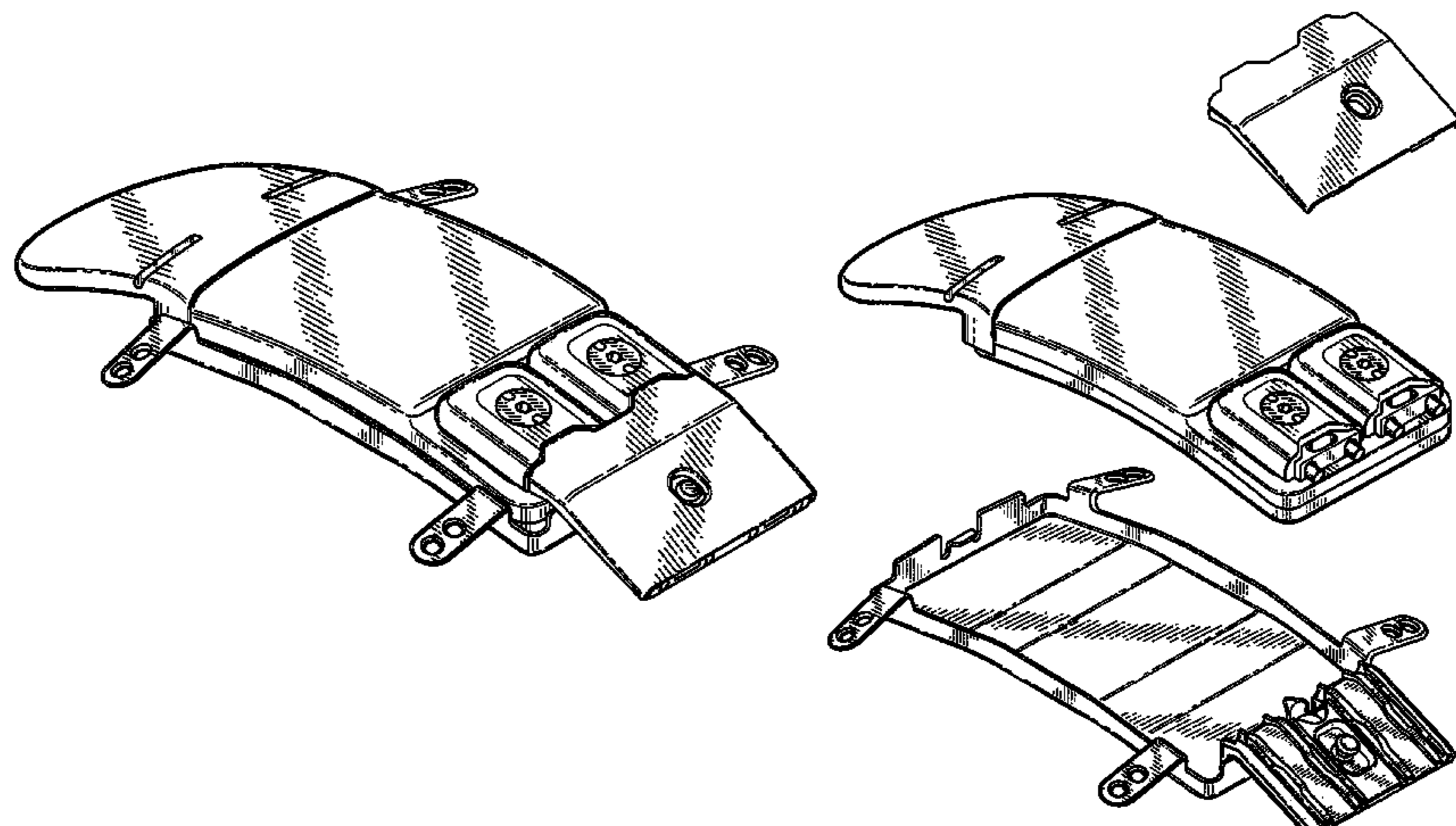
FIG. 6 is a rear view thereof;

FIG. 7 is a front view thereof; and,

FIG. 8 is an exploded perspective view of the components of the neurostimulator assembly which are shown separately for clarity of illustration.

The claimed design is patentable over the references cited.

1 Claim, 6 Drawing Sheets



OTHER PUBLICATIONS

Neuropace. (2008). "Product Overview: Responsive Neurostimulation for the Treatment of Epilepsy," located at <<http://www.neuropace.com/product/overview.html>> last visited on Nov. 19, 2008, two pages.

Stacey, W.C. et al. (2008, e-published Feb. 28, 2008). "Technology Insight: Neuroengineering and Epilepsy—Designing Devices for Seizure Control," *Nature Clinical Practice Neurology* pp. 1-12.

* cited by examiner

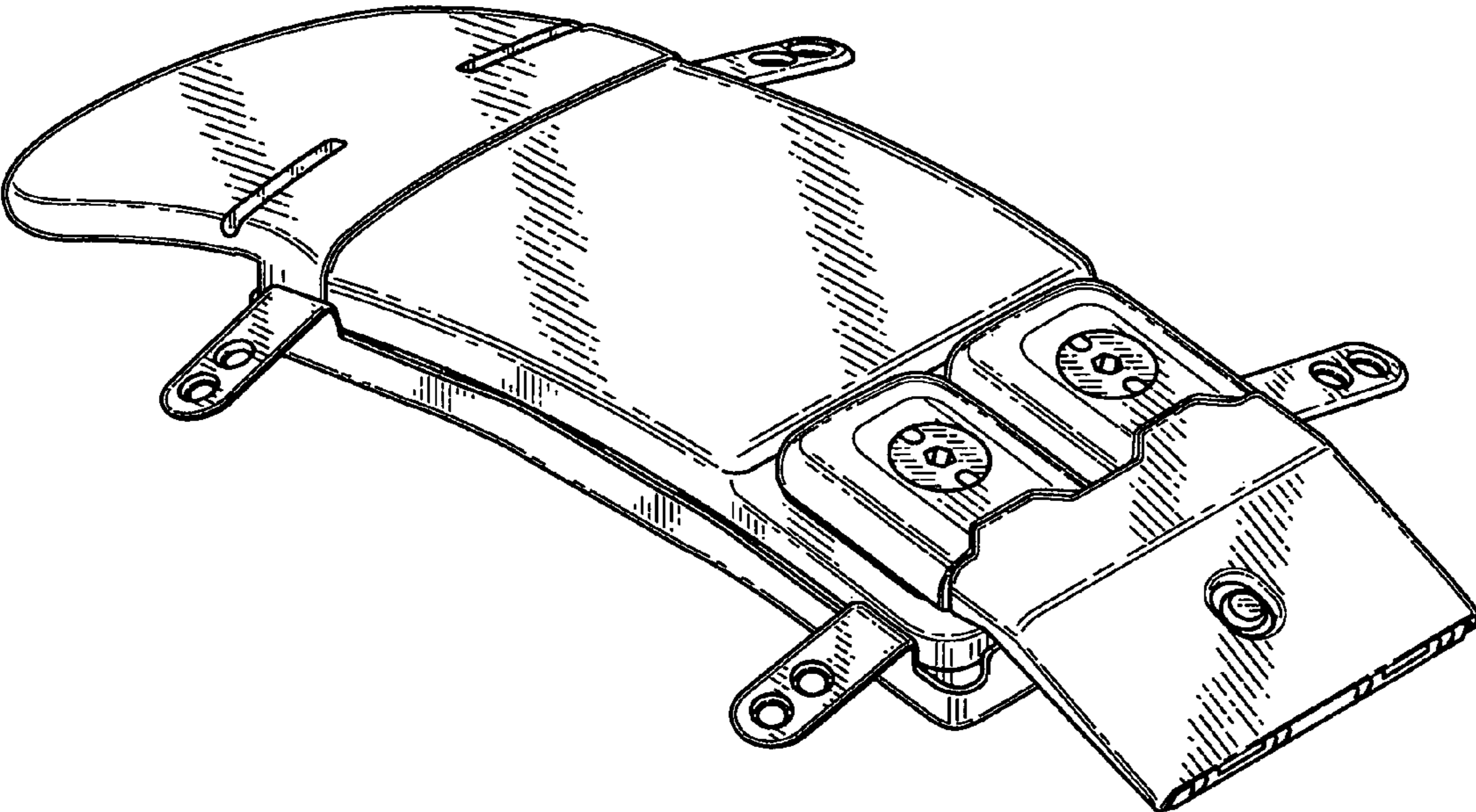


FIG. 1

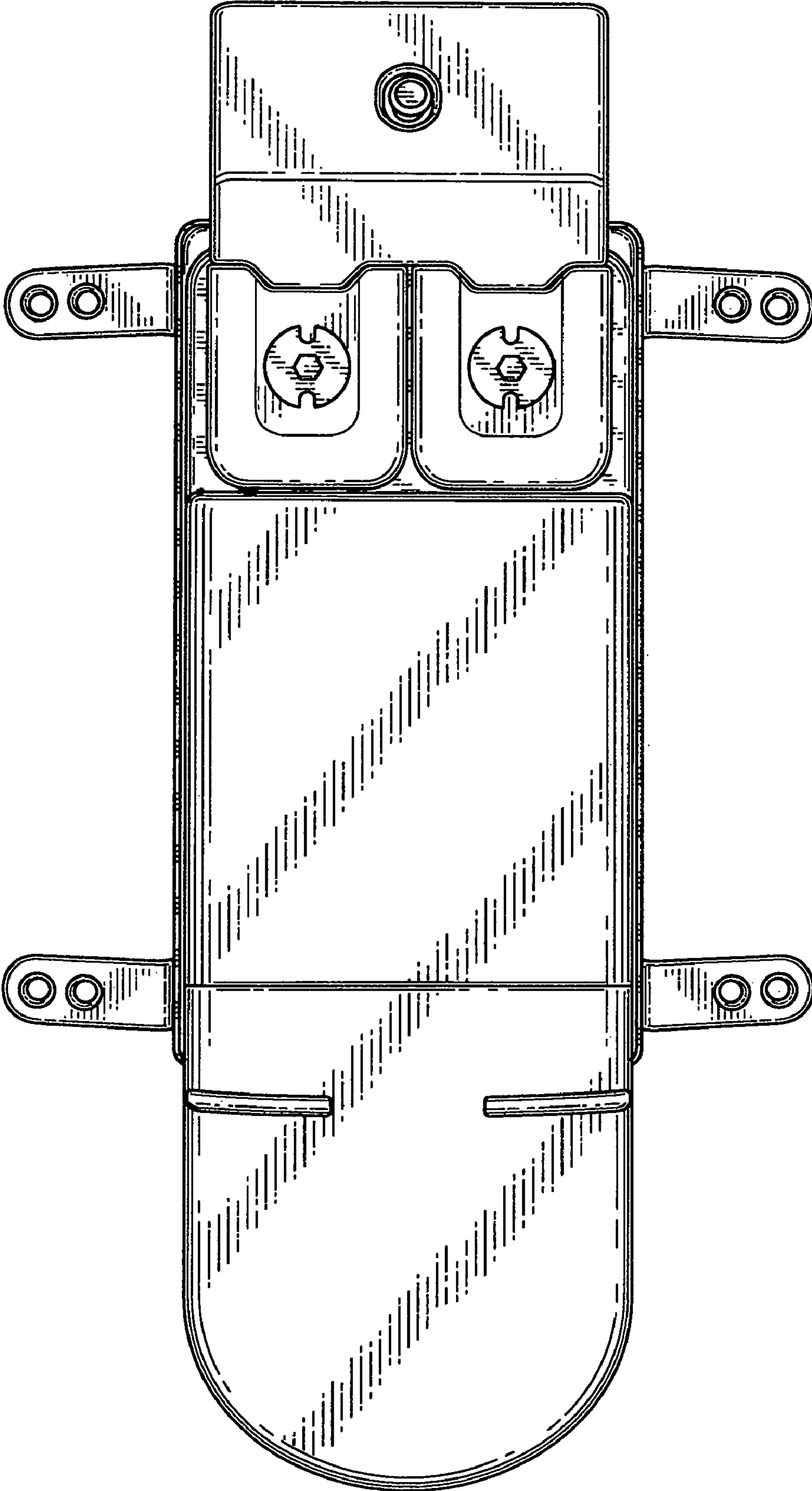


FIG. 2

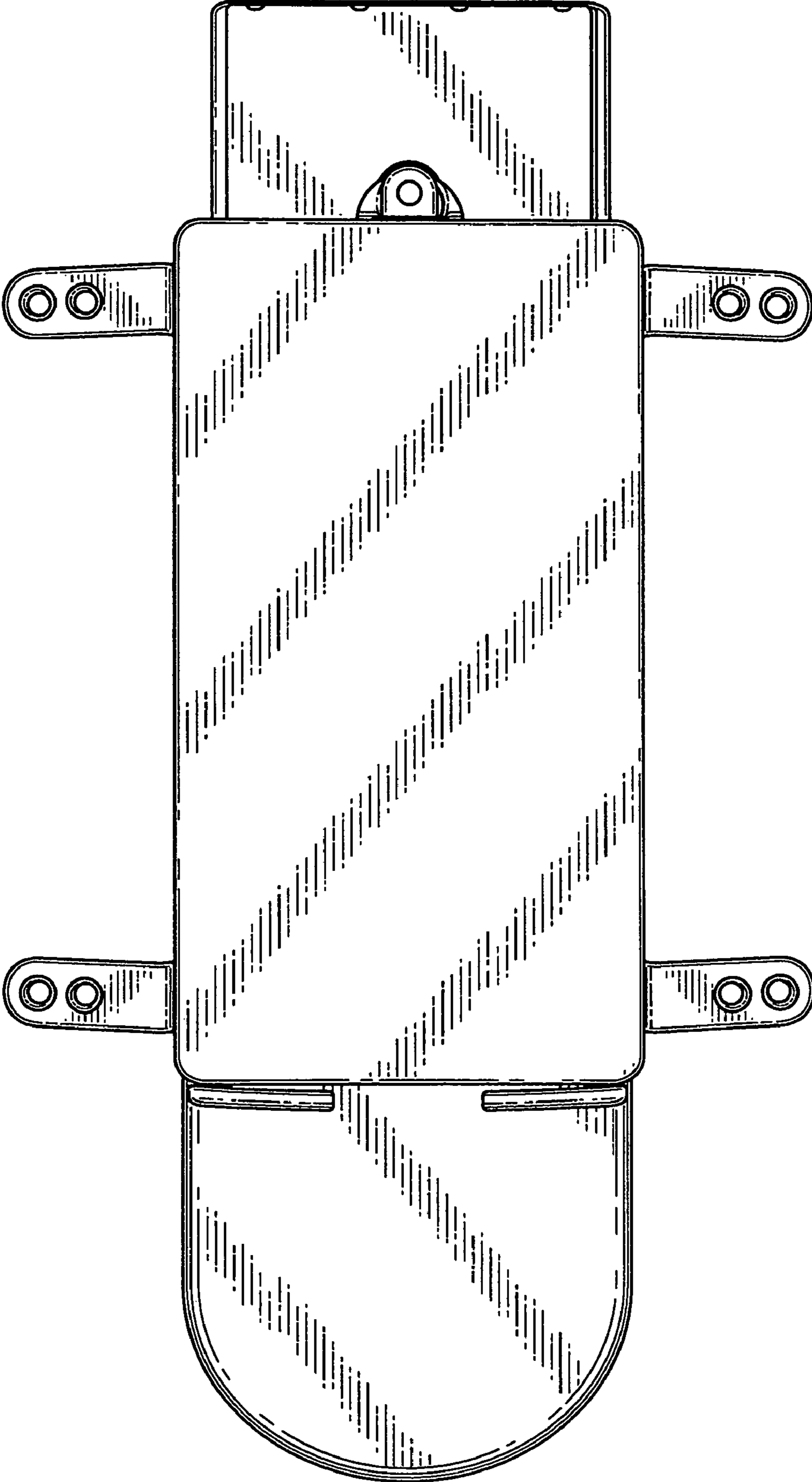


FIG. 3

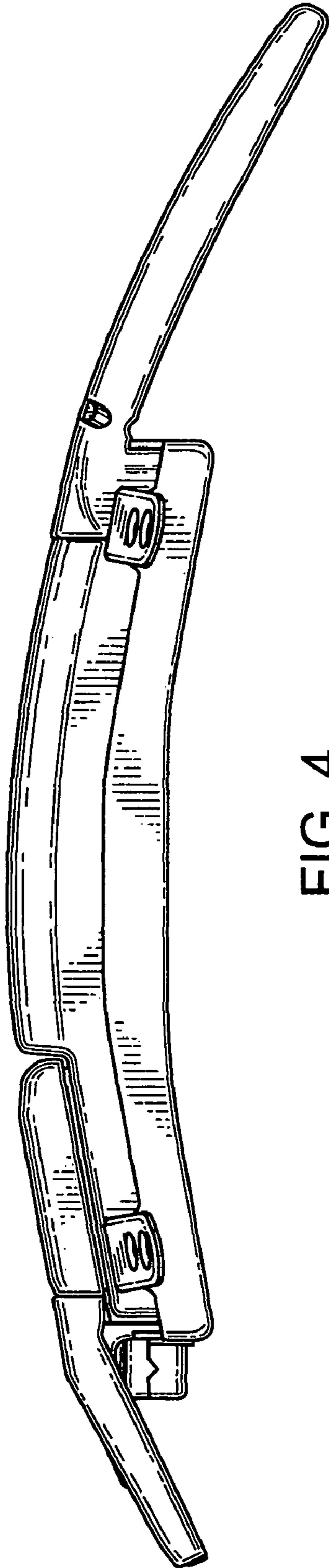


FIG. 4



FIG. 5

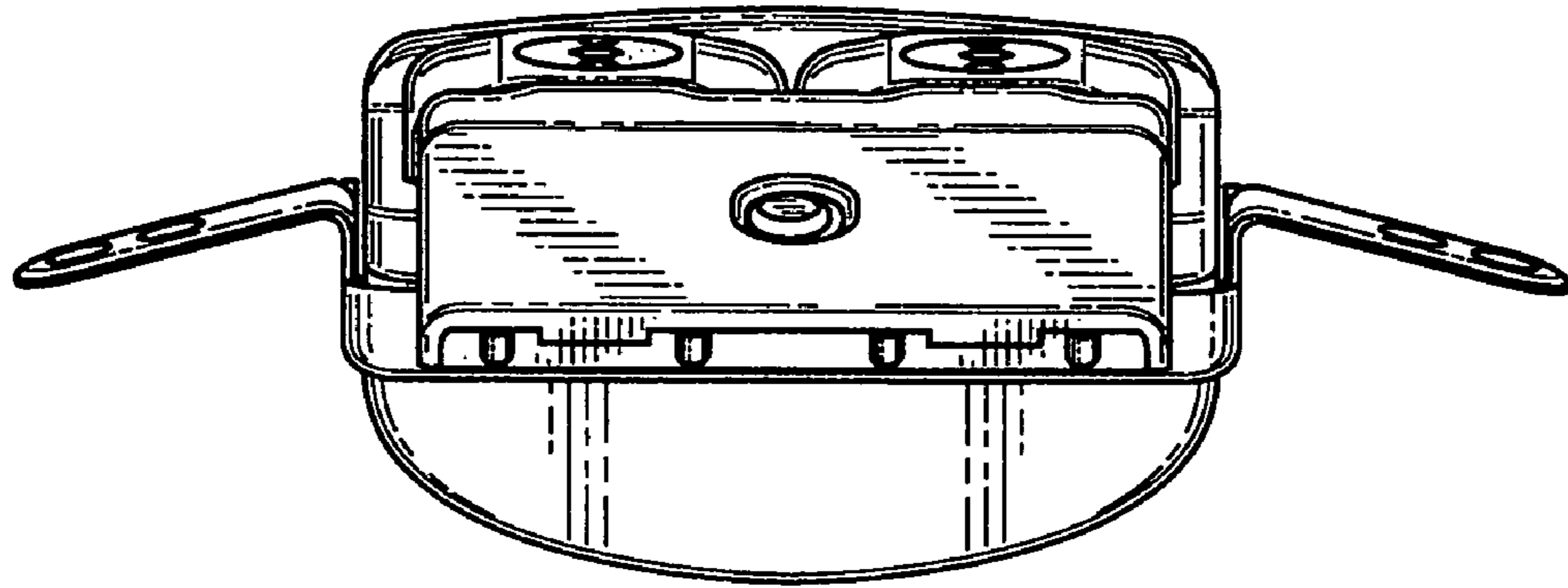


FIG. 6

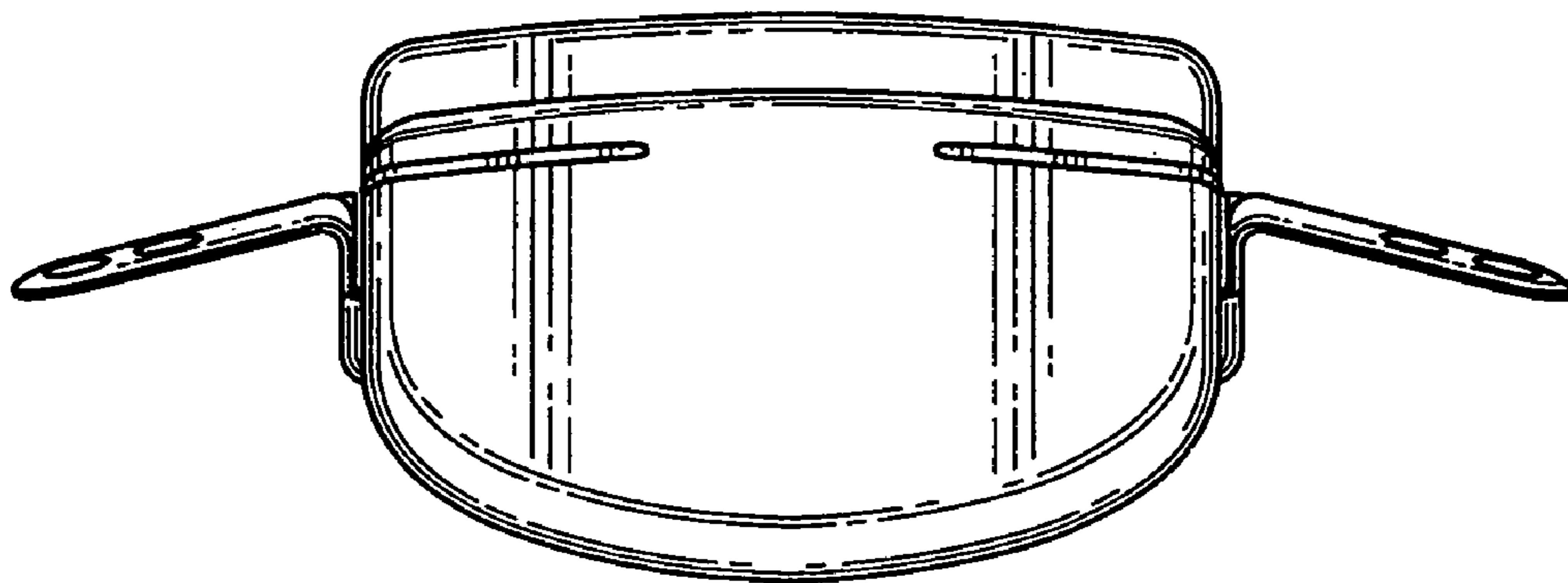


FIG. 7

FIG. 8

