



US00D625012S

(12) **United States Design Patent**
Ogura

(10) **Patent No.:** **US D625,012 S**
(45) **Date of Patent:** **** Oct. 5, 2010**

(54) **MEDICAL IMAGE RECORDER**

D568,477 S * 5/2008 Takahashi et al. D24/158
D571,474 S * 6/2008 Sjo-Gaber et al. D24/186
D588,701 S * 3/2009 Sperry et al. D24/158

(75) Inventor: **Ryosuke Ogura**, Kanagawa (JP)

(73) Assignee: **Fujifilm Corporation**, Tokyo (JP)

* cited by examiner

(**) Term: **14 Years**

Primary Examiner—T. Chase Nelson

Assistant Examiner—Anhdao Doan

(21) Appl. No.: **29/341,105**

(74) *Attorney, Agent, or Firm*—Young & Thompson

(22) Filed: **Jul. 30, 2009**

(57) **CLAIM**

(30) **Foreign Application Priority Data**

The ornamental design for a medical image recorder, as shown and described.

Feb. 24, 2009 (JP) 2009-003837

DESCRIPTION

(51) **LOC (9) Cl.** **24-01**

(52) **U.S. Cl.** **D24/158**

(58) **Field of Classification Search** D24/158–161,
D24/186; D18/36–39, 49, 50; D16/246,
D16/247; 378/167, 171, 172, 181–183
See application file for complete search history.

FIG. 1 is a top, front and side perspective view of a medical image recorder showing my new design;

FIG. 2 is a front elevational view thereof;

FIG. 3 is a rear elevational view thereof;

FIG. 4 is a top plan view thereof;

FIG. 5 is a bottom plan view thereof;

FIG. 6 is a left side elevational view thereof; and,

FIG. 7 is a right side elevational view thereof.

(56) **References Cited**

U.S. PATENT DOCUMENTS

D492,414 S * 6/2004 Perry et al. D24/158
D494,680 S * 8/2004 Takahashi D24/158
D549,338 S * 8/2007 Kondo D24/158

1 Claim, 7 Drawing Sheets

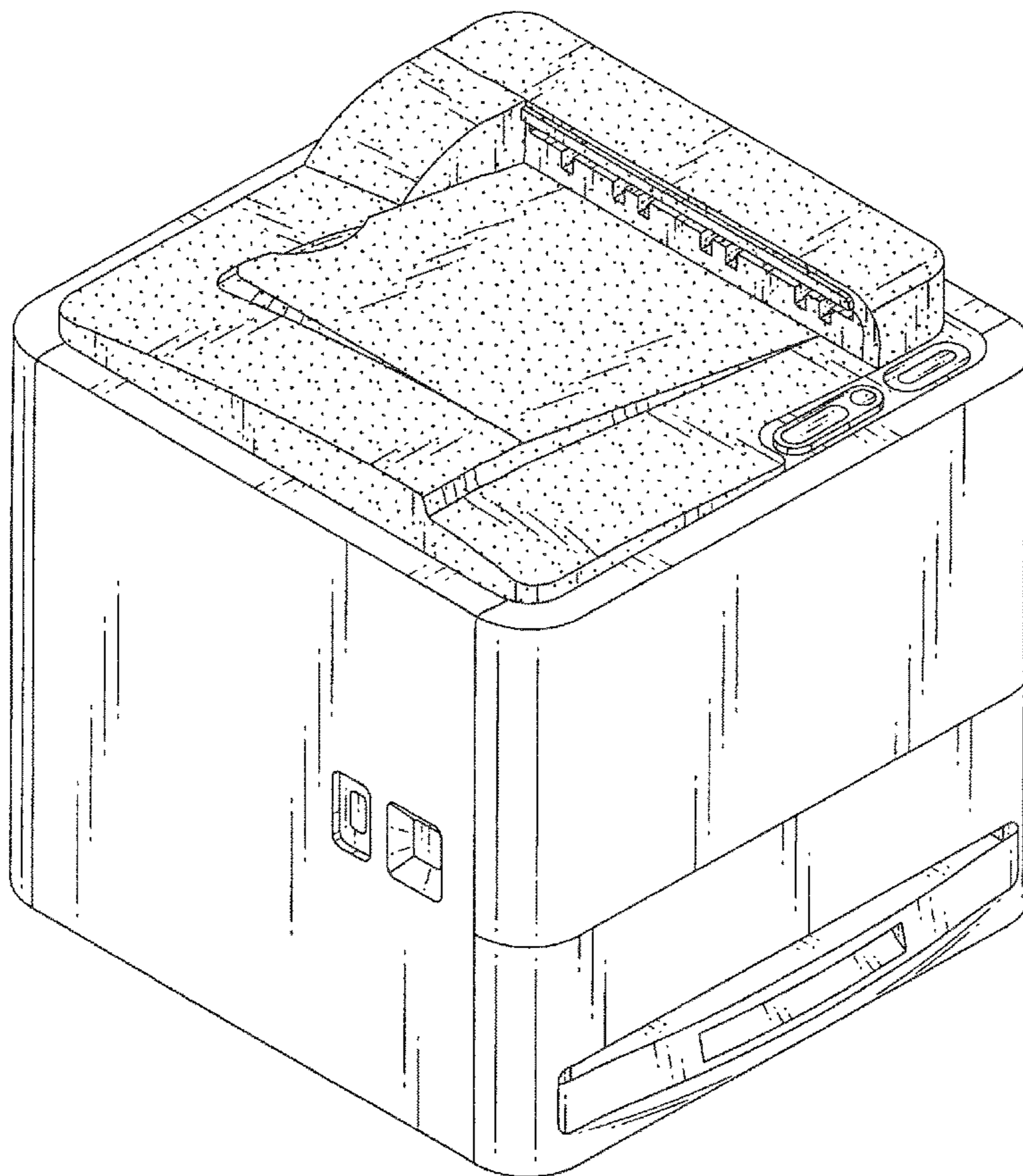


FIG.1

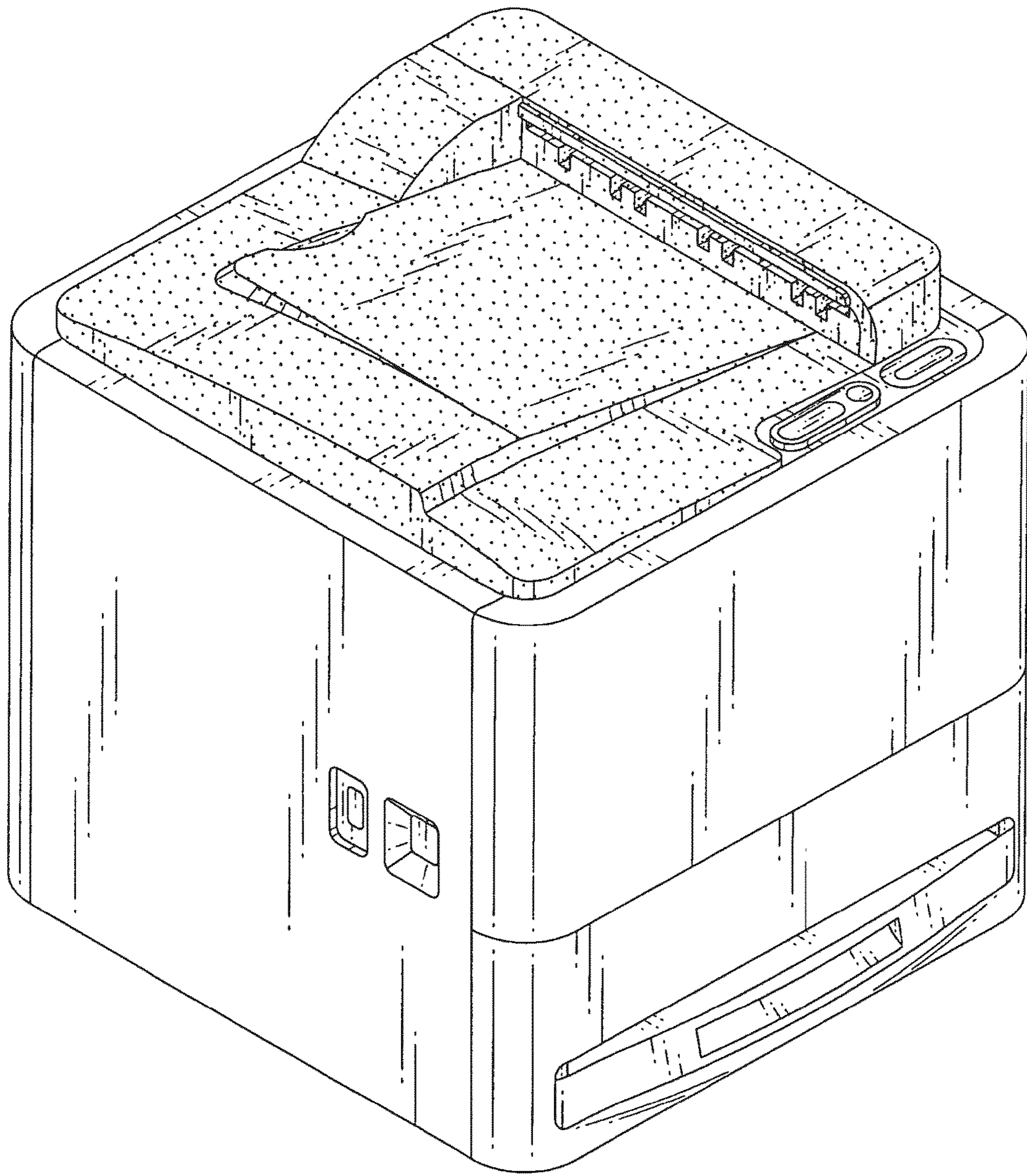


FIG.2

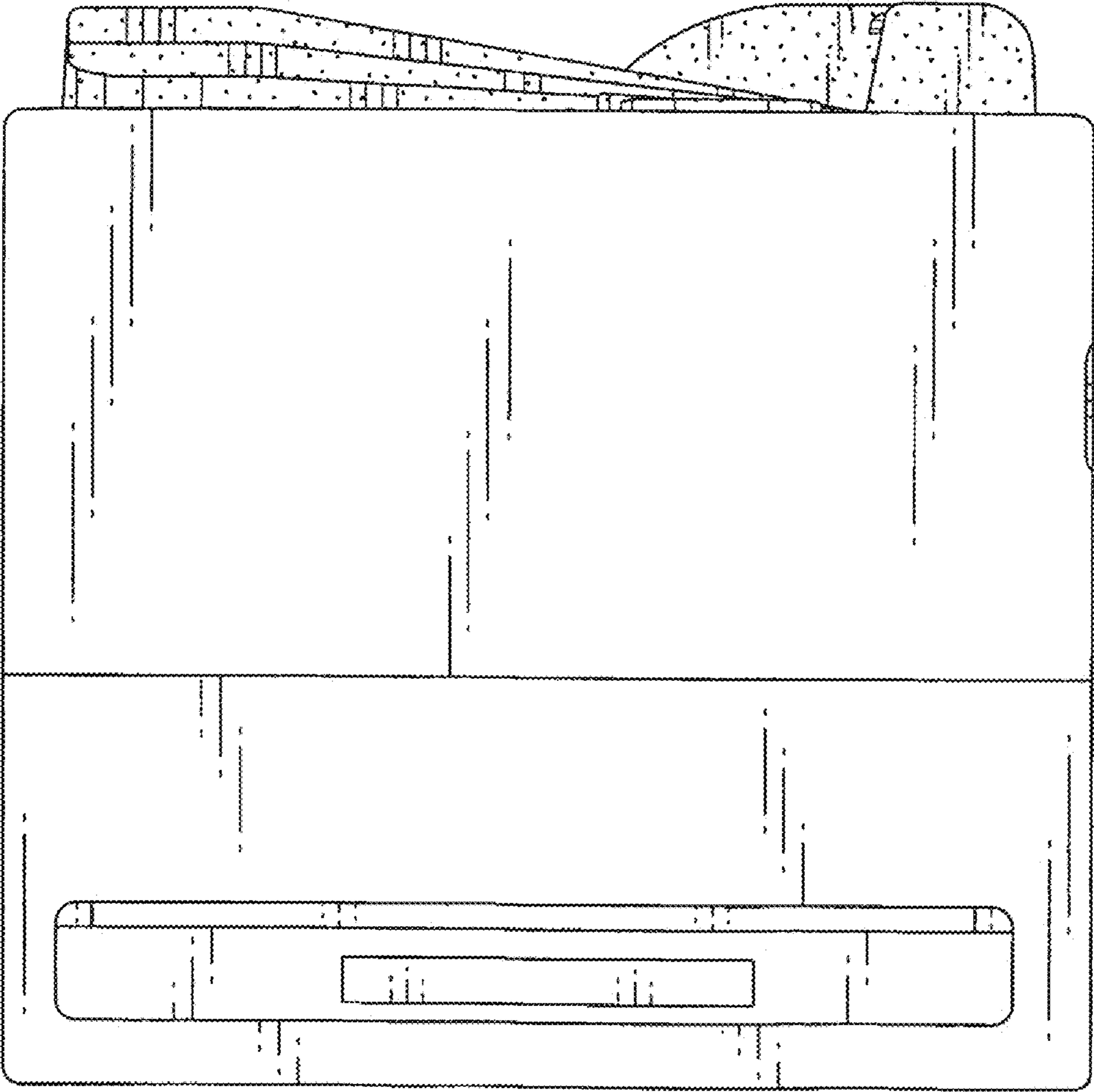


FIG. 3

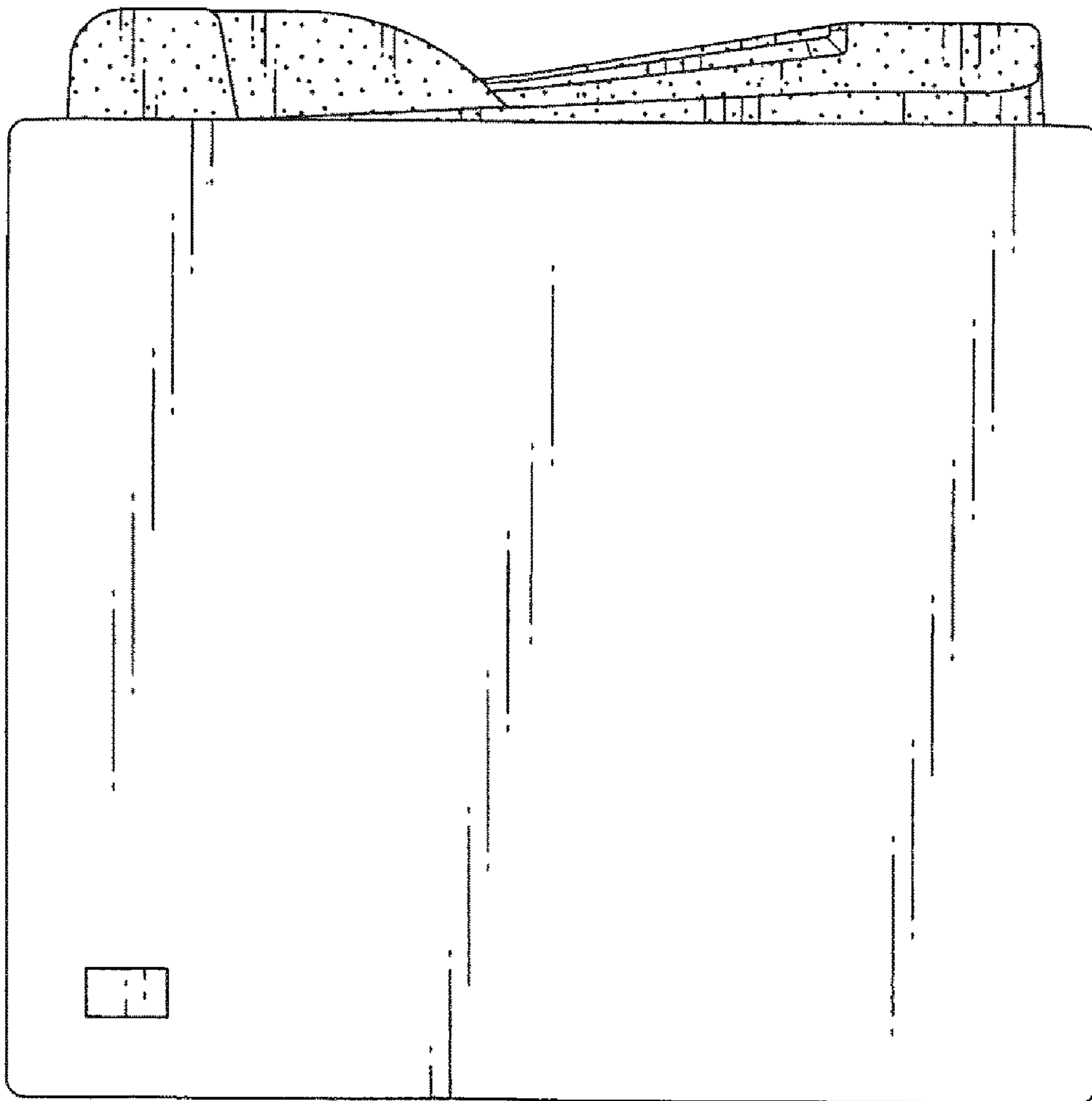


FIG.4

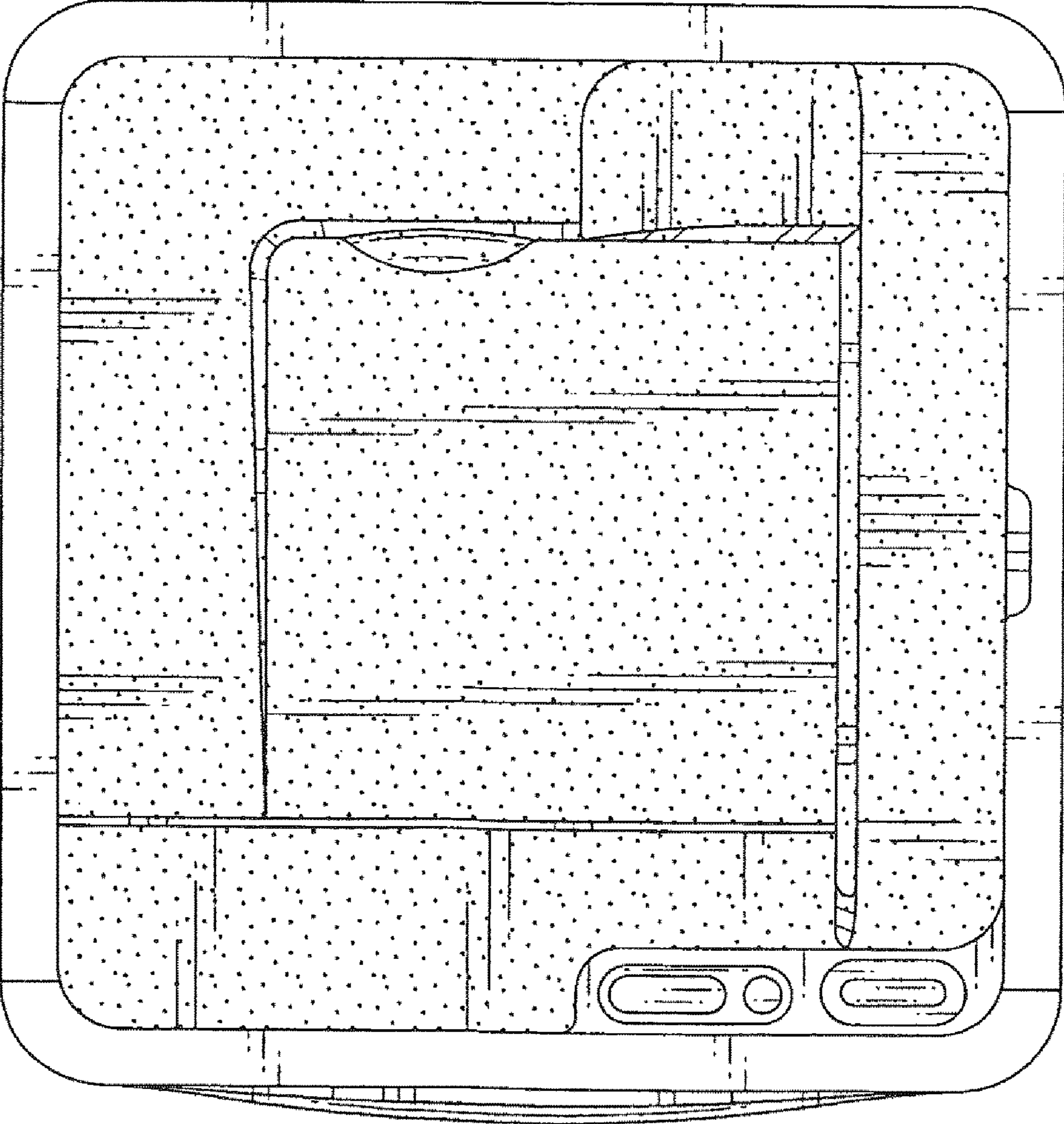


FIG.5



FIG. 6

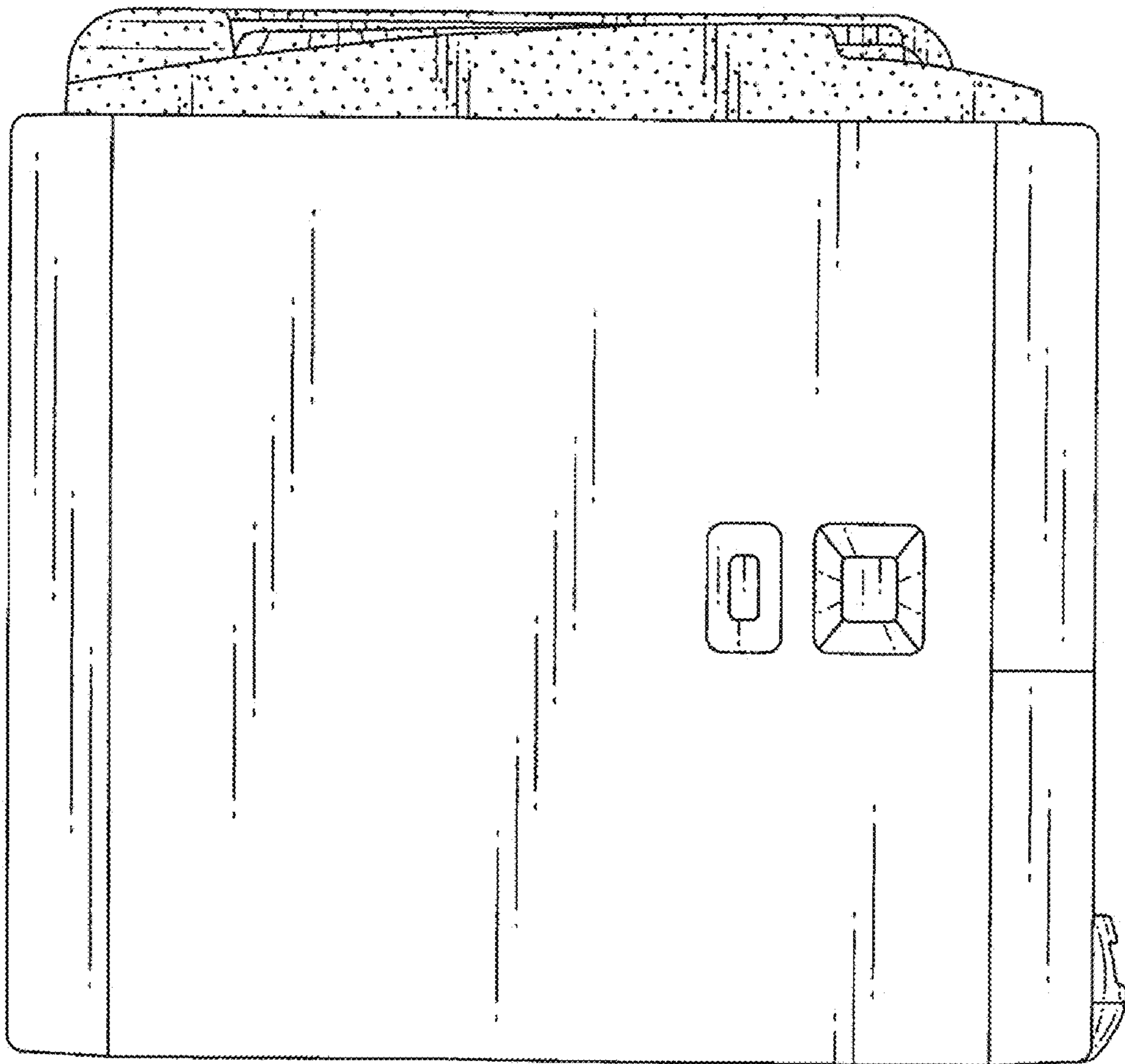


FIG. 7

