



US00D625011S

(12) **United States Design Patent**
Hirabayashi

(10) **Patent No.:** **US D625,011 S**
(45) **Date of Patent:** **** Oct. 5, 2010**

- (54) **MAMMOGRAPHY EQUIPMENT**
- (75) Inventor: **Katsumi Hirabayashi**, Tokyo (JP)
- (73) Assignee: **Fujifilm Corporation**, Tokyo (JP)
- (**) Term: **14 Years**
- (21) Appl. No.: **29/338,867**
- (22) Filed: **Jun. 19, 2009**

Related U.S. Application Data

- (62) Division of application No. 29/318,349, filed on May 19, 2008, now Pat. No. Des. 597,210.
- (51) **LOC (9) Cl.** **24-01**
- (52) **U.S. Cl.** **D24/158**
- (58) **Field of Classification Search** D24/158–161,
D24/186; 378/4, 19–21, 23, 25, 27, 146,
378/37, 38, 193, 195–197
See application file for complete search history.

(56) **References Cited**

U.S. PATENT DOCUMENTS

- 5,136,623 A * 8/1992 Hixson, Sr. 378/37
- D331,110 S * 11/1992 Virta et al. D24/158
- 7,489,761 B2 * 2/2009 Defreitas et al. 378/37

- 2006/0241423 A1 * 10/2006 Anderson et al. 600/437
- 2007/0274438 A1 * 11/2007 Hyvarinen et al. 378/37

* cited by examiner

Primary Examiner—T. Chase Nelson
Assistant Examiner—Anhdao Doan
(74) *Attorney, Agent, or Firm*—Young & Thompson

(57) **CLAIM**

The ornamental design for mammography equipment, as shown and described.

DESCRIPTION

FIG. 1 is a perspective view of mammography equipment showing my new design;
FIG. 2 is a front elevational view thereof;
FIG. 3 is a top plan view thereof;
FIG. 4 is a bottom plan view thereof;
FIG. 5 is a left side elevational view thereof; and,
FIG. 6 is a partially magnified perspective view.
The portions of the mammography equipment in broken lines are shown for illustrative purposes only and form no part of the claimed design.

1 Claim, 6 Drawing Sheets

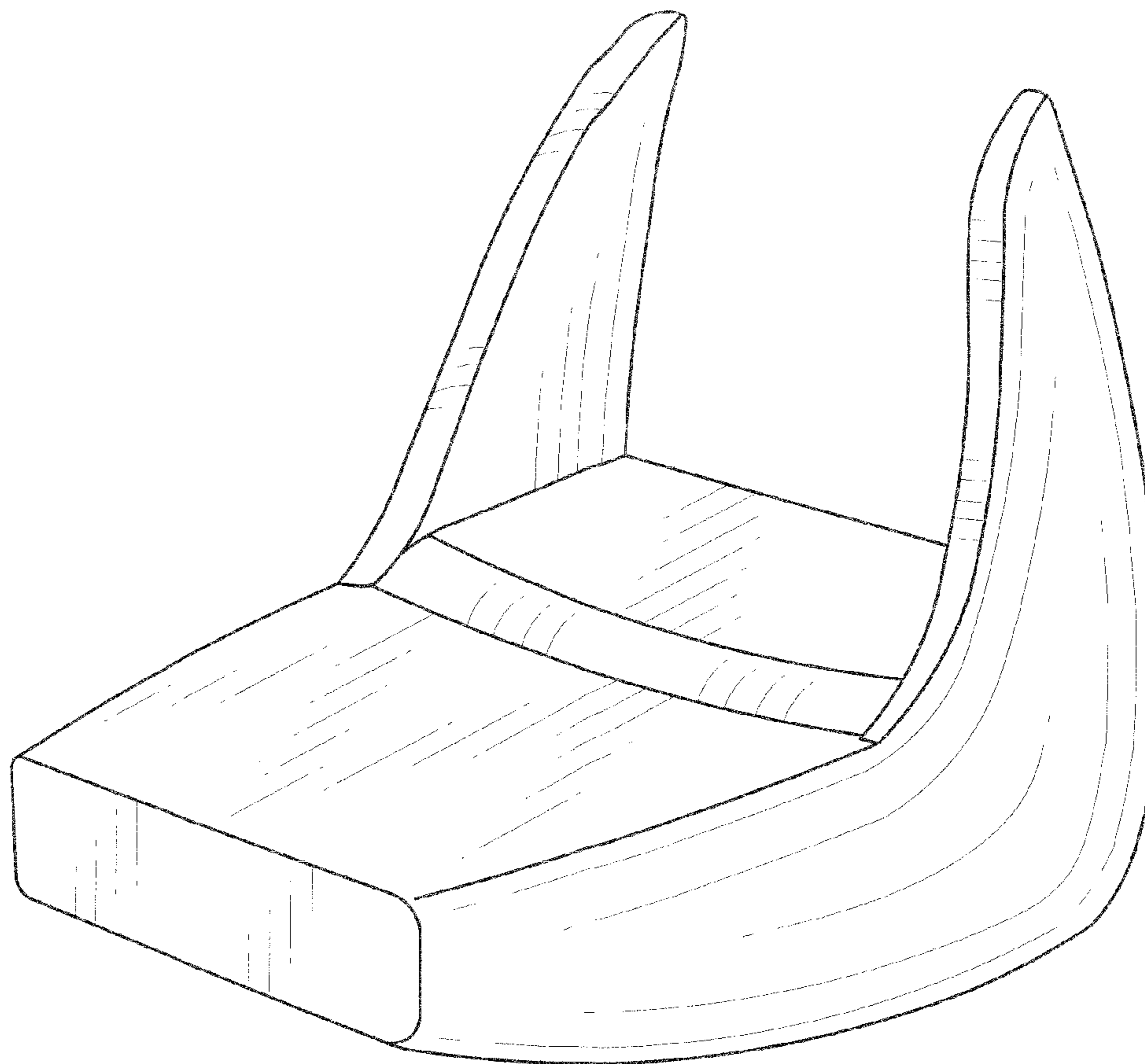


FIG. 1

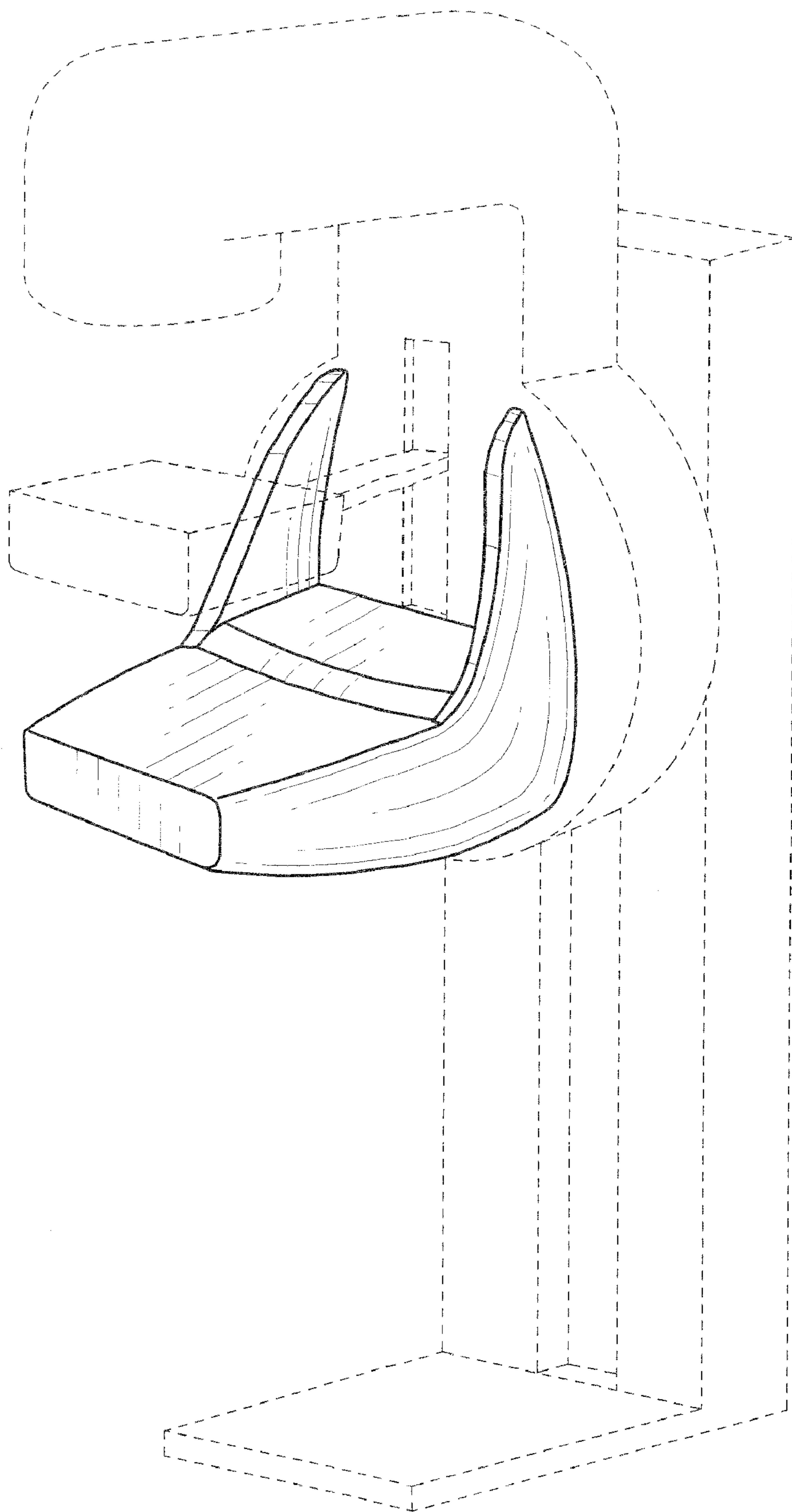


FIG. 2

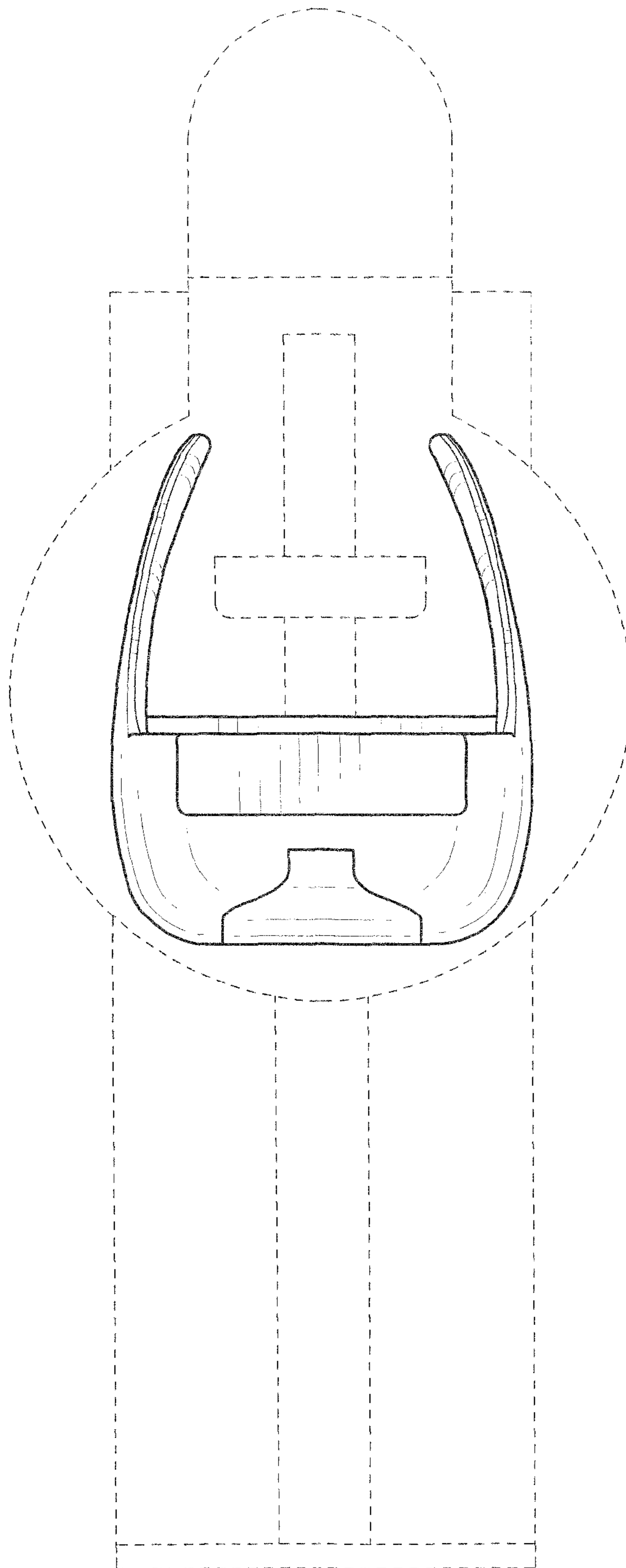


FIG. 3

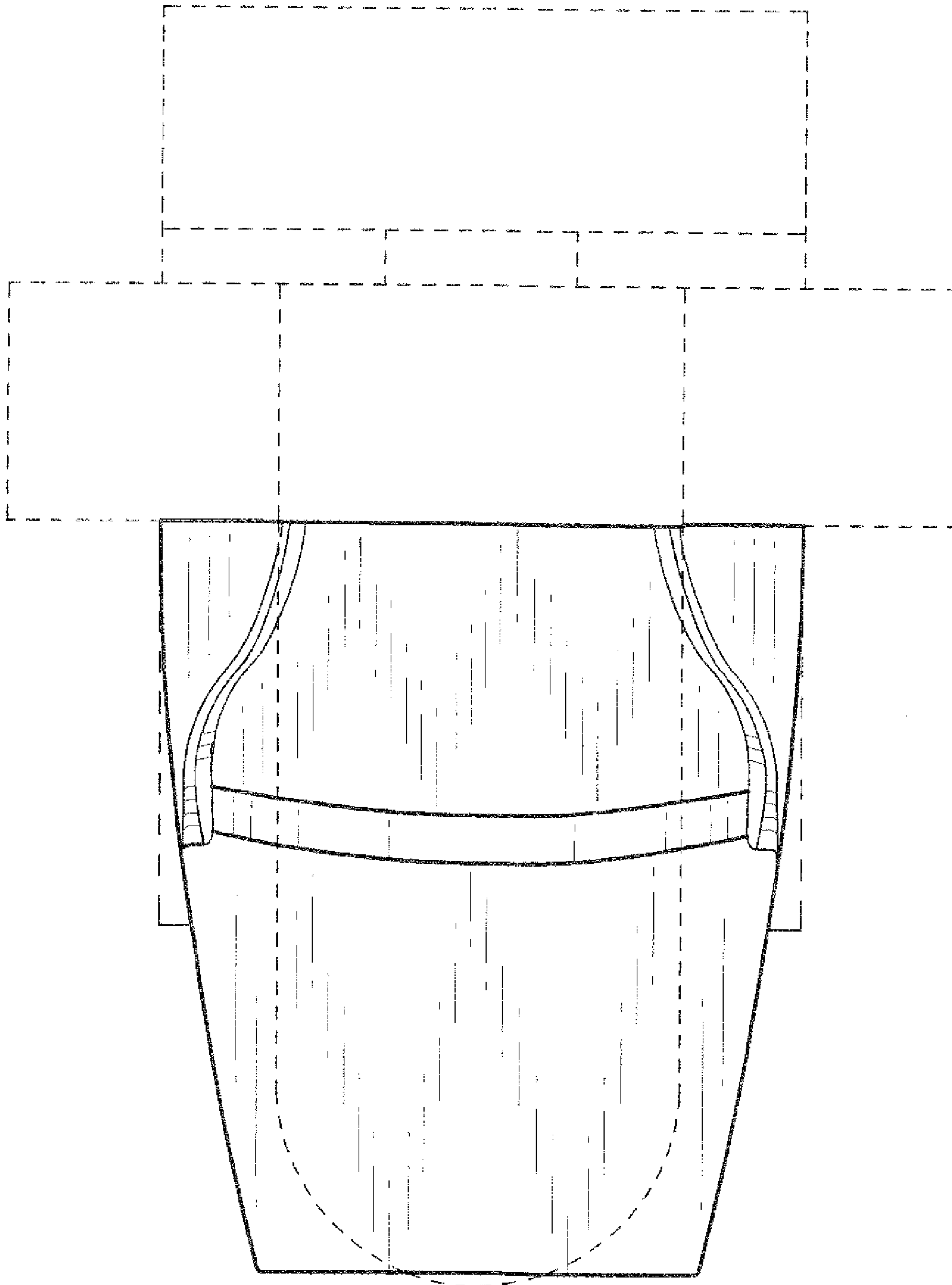


FIG. 4

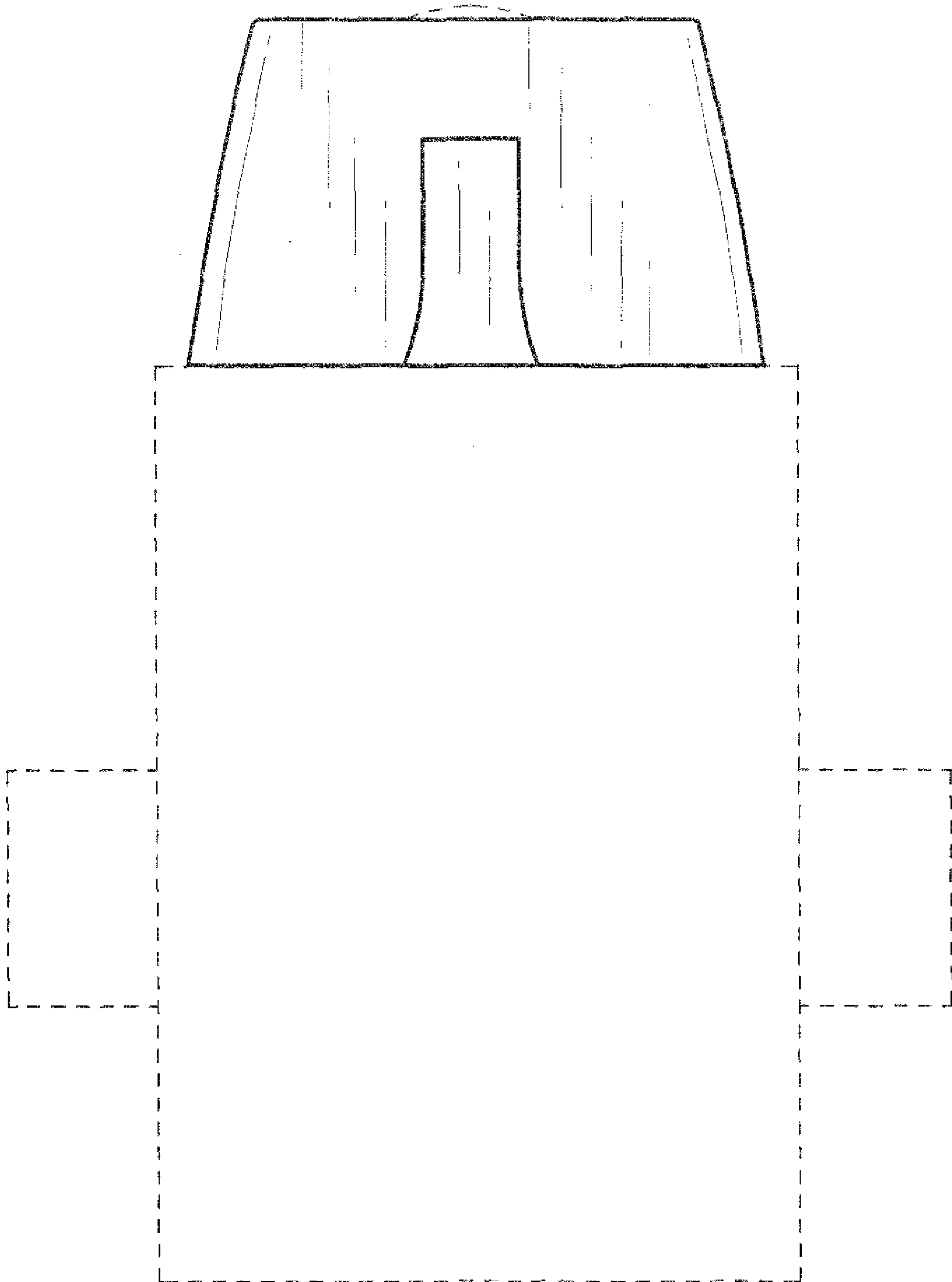


FIG. 5

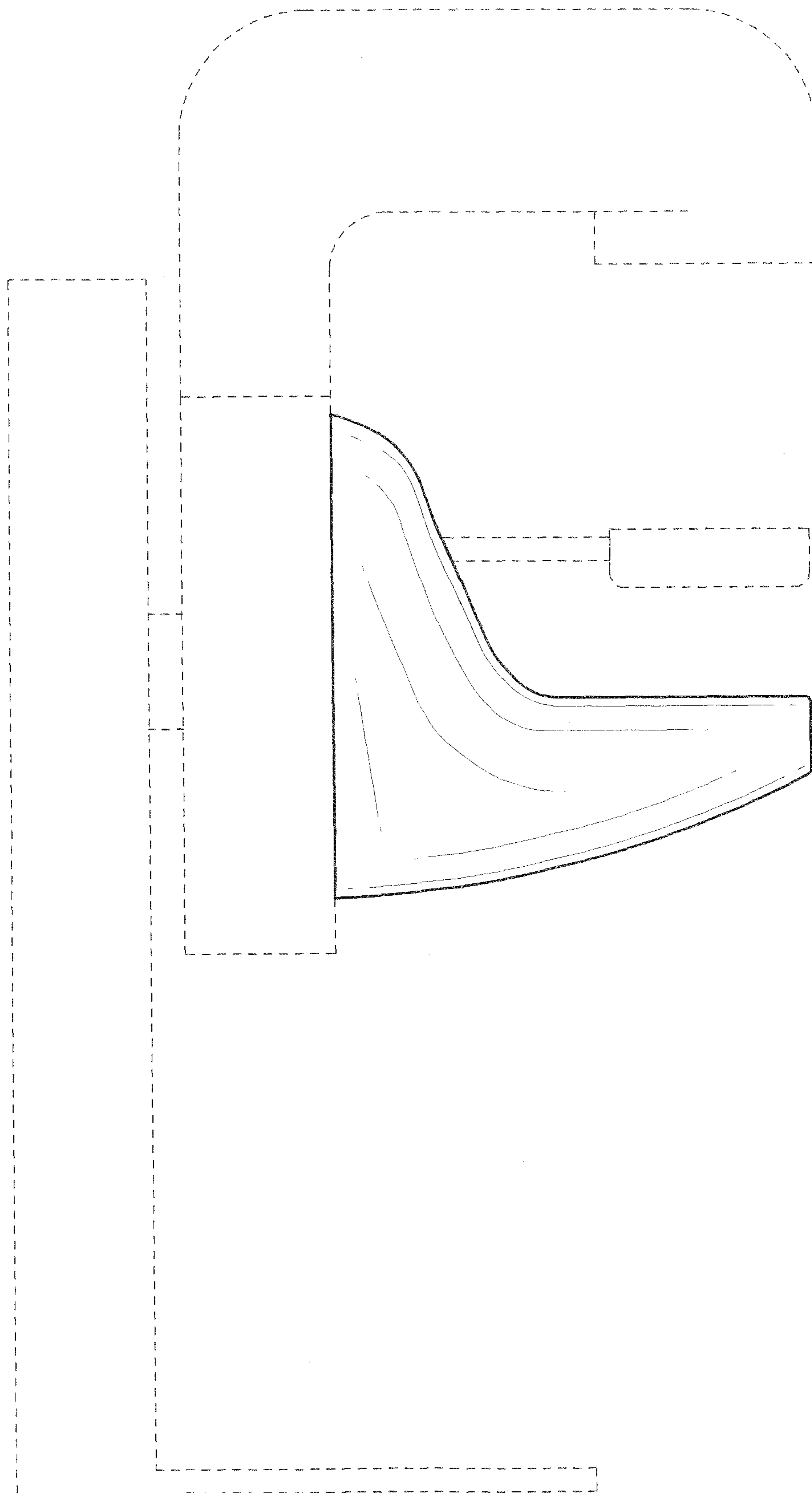


FIG. 6

