



US00D625010S

(12) **United States Design Patent**
Effenberger

(10) **Patent No.:** **US D625,010 S**

(45) **Date of Patent:** **** Oct. 5, 2010**

(54) **DENTAL DEVICE**

(75) Inventor: **Steffen Effenberger**, Hamburg (DE)

(73) Assignee: **Ernst Muhlbauer GmbH & Co KG**,
Norderfriedrichskoog (DE)

(**) Term: **14 Years**

(21) Appl. No.: **29/313,289**

(22) Filed: **Dec. 22, 2008**

(30) **Foreign Application Priority Data**

Jul. 1, 2008 (EM) 000968003

(51) **LOC (9) Cl.** **24-02**

(52) **U.S. Cl.** **D24/152**

(58) **Field of Classification Search** D24/155-157,
D24/216, 202, 152, 159, 176; 606/60, 61,
606/73, 95, 213, 281, 292, 70, 71, 76, 246,
606/248, 249, 247, 280, 283, 272, 153, 194;
623/17.11, 17.12, 17.13, 17.14, 17.15, 17.16,
623/23.61, 23.56, 247, 213, 286, 1.31, 1.35;
433/125, 141

See application file for complete search history.

(56) **References Cited**

U.S. PATENT DOCUMENTS

D406,892 S * 3/1999 Warren D24/176
D418,224 S * 12/1999 Preusse D24/152

D426,306 S * 6/2000 Maissami D24/152
D437,936 S * 2/2001 Guy D24/176
D576,730 S * 9/2008 Kim D24/152
D600,810 S * 9/2009 Khouri D24/152
D609,341 S * 2/2010 Khouri D24/152

FOREIGN PATENT DOCUMENTS

EM 000822465 5/2010

* cited by examiner

Primary Examiner—Charles A Rademaker

(74) *Attorney, Agent, or Firm*—Fross Zelnick Lehrman &
Zissu, P.C.; Charles T. J. Weigell, Esq.

(57) **CLAIM**

The ornamental design for a dental device, as shown and described.

DESCRIPTION

FIG. 1 is a front perspective view of a dental device showing my new design;

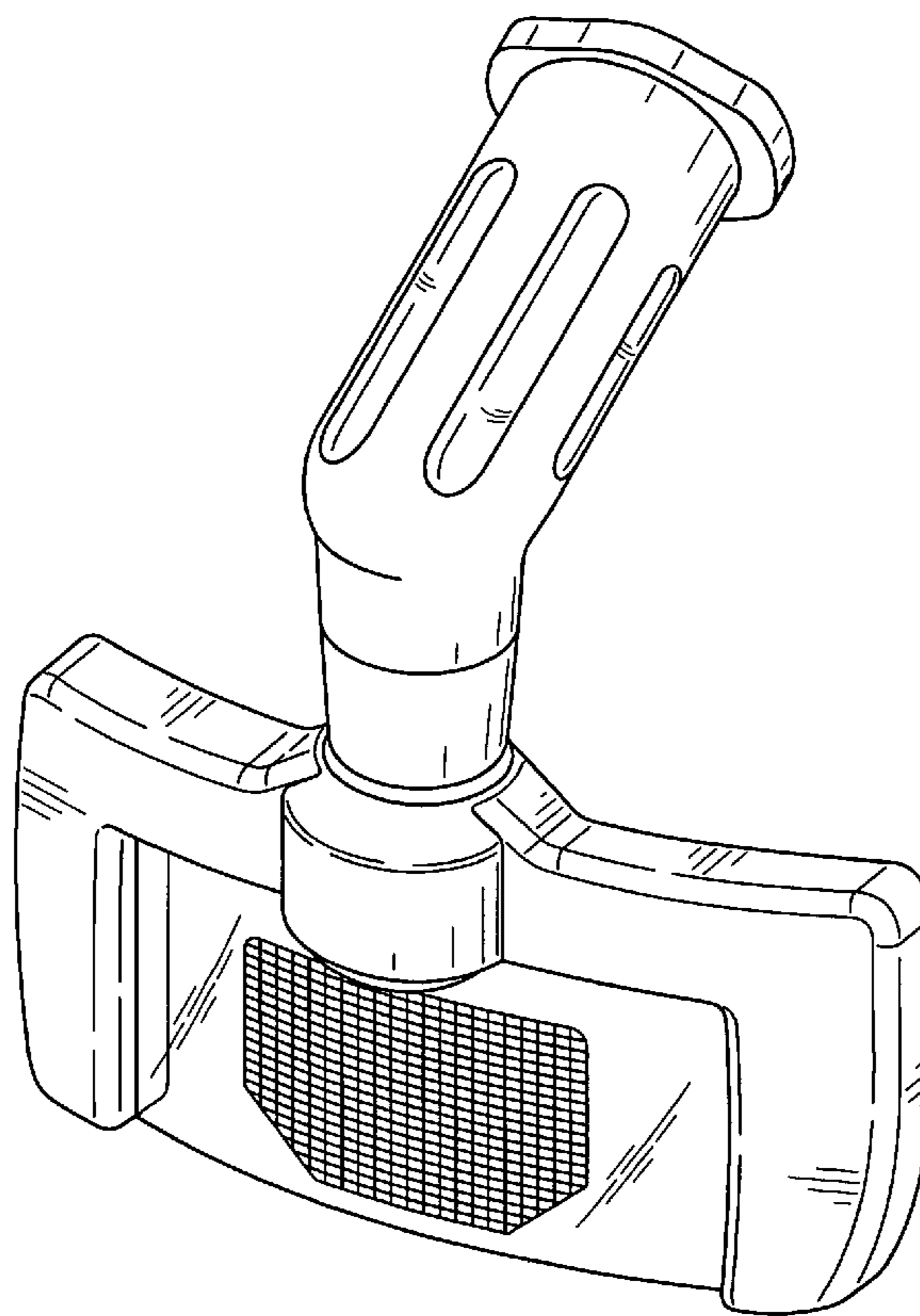
FIG. 2 is another perspective view of the dental device shown in FIG. 1;

FIG. 3 is a rear view of the dental device shown in FIG. 1;

FIG. 4 is a bottom view of the dental device shown in FIG. 1; and,

FIG. 5 is a top view of the dental device shown in FIG. 1.

1 Claim, 5 Drawing Sheets



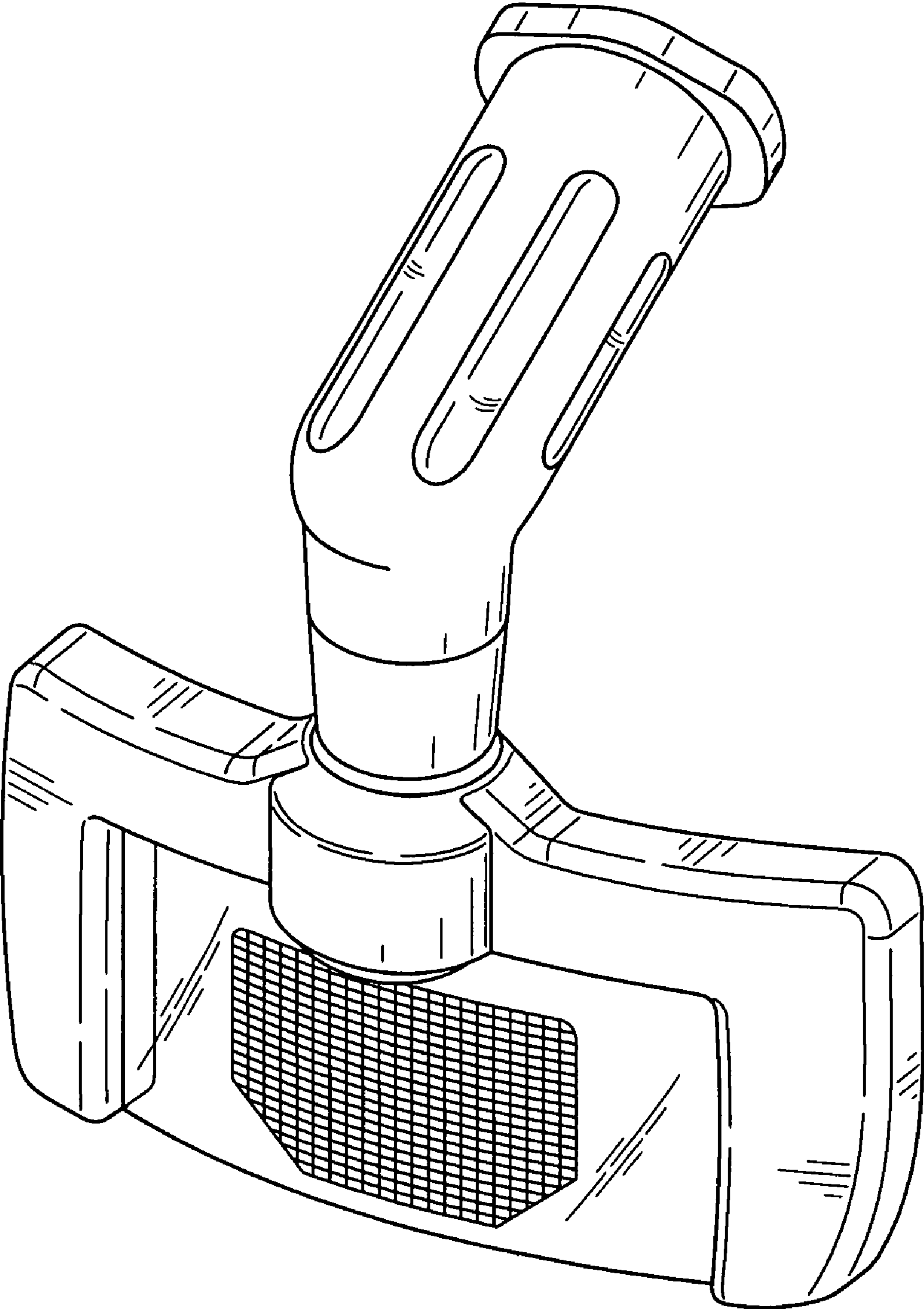


FIG. 1

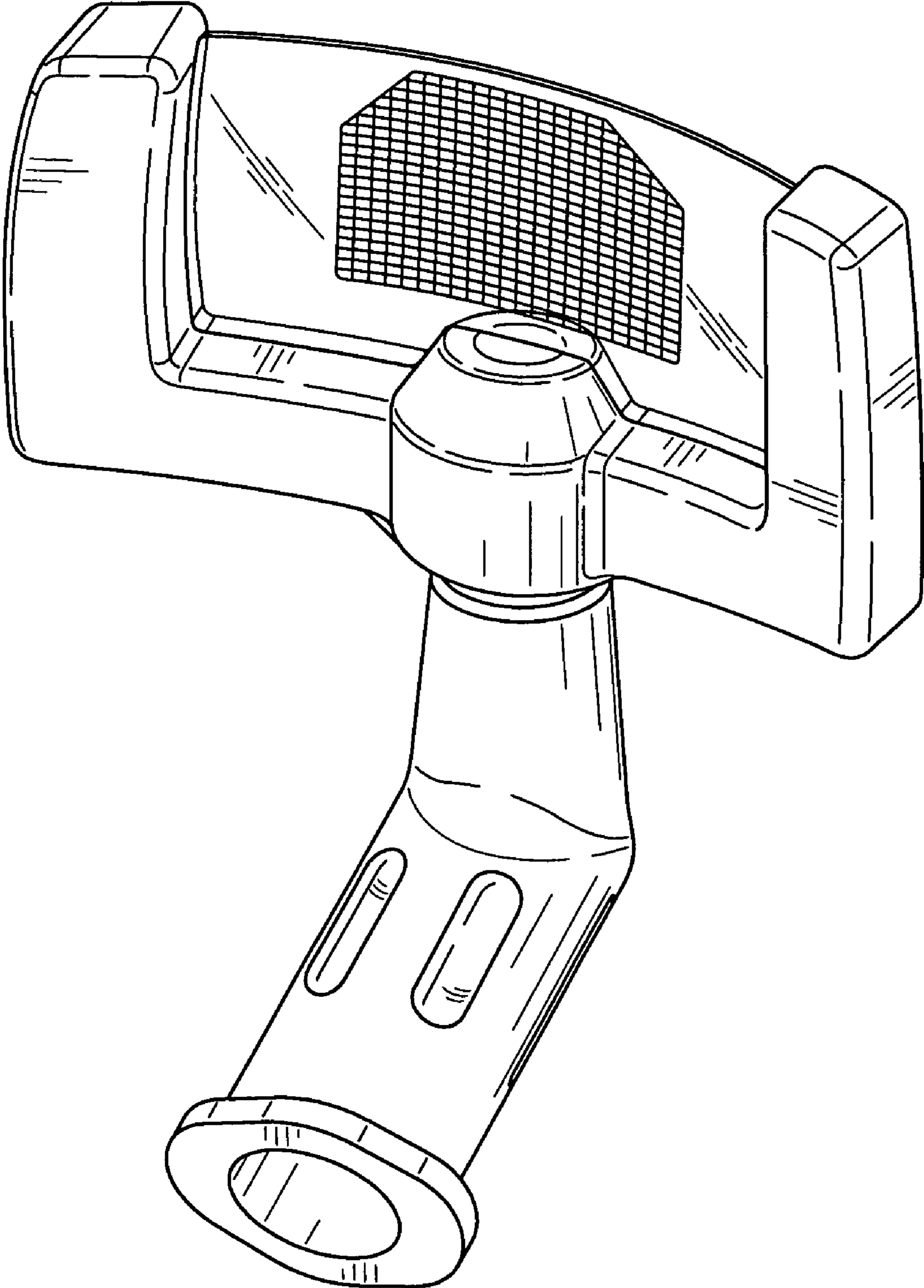


FIG. 2

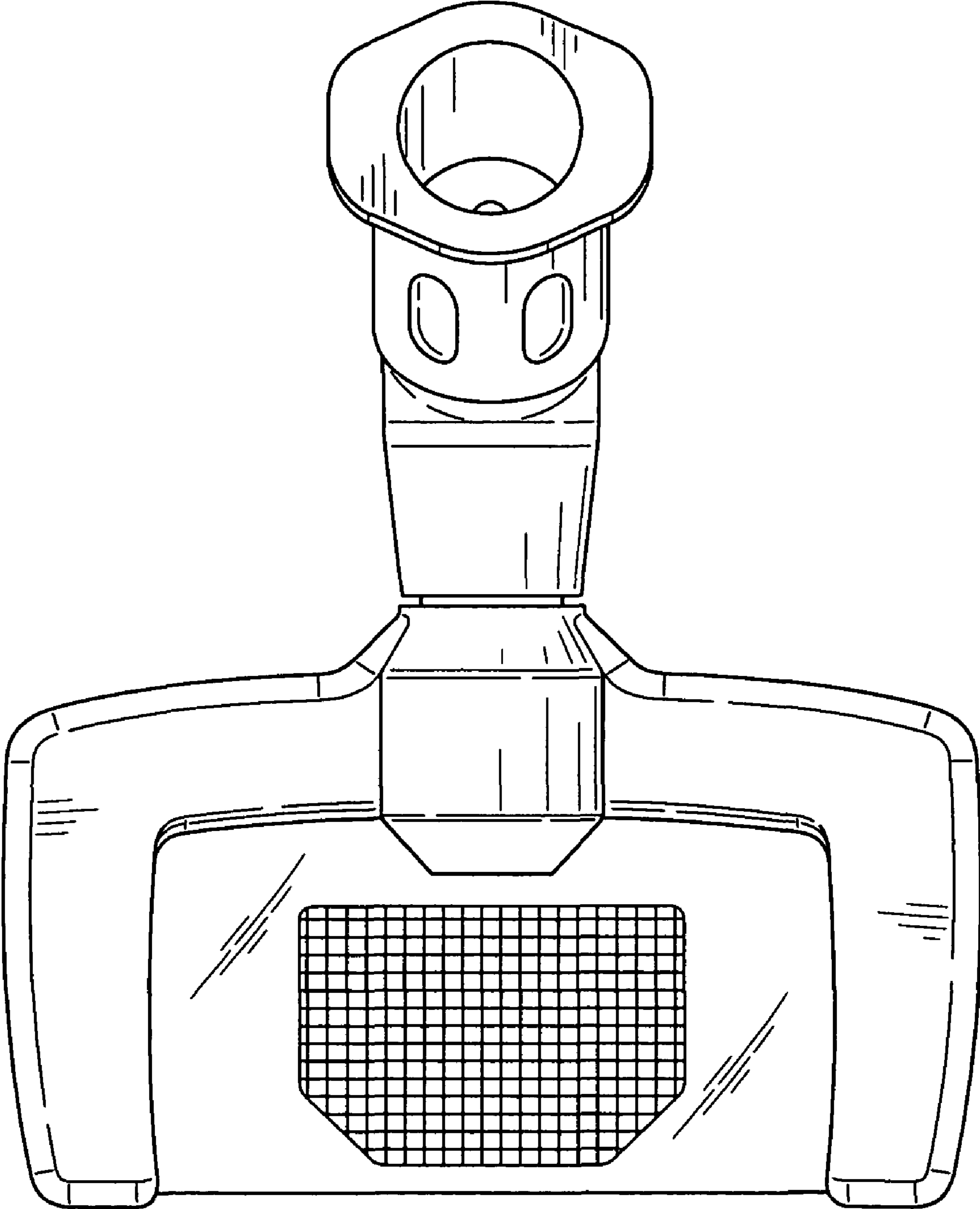


FIG. 3

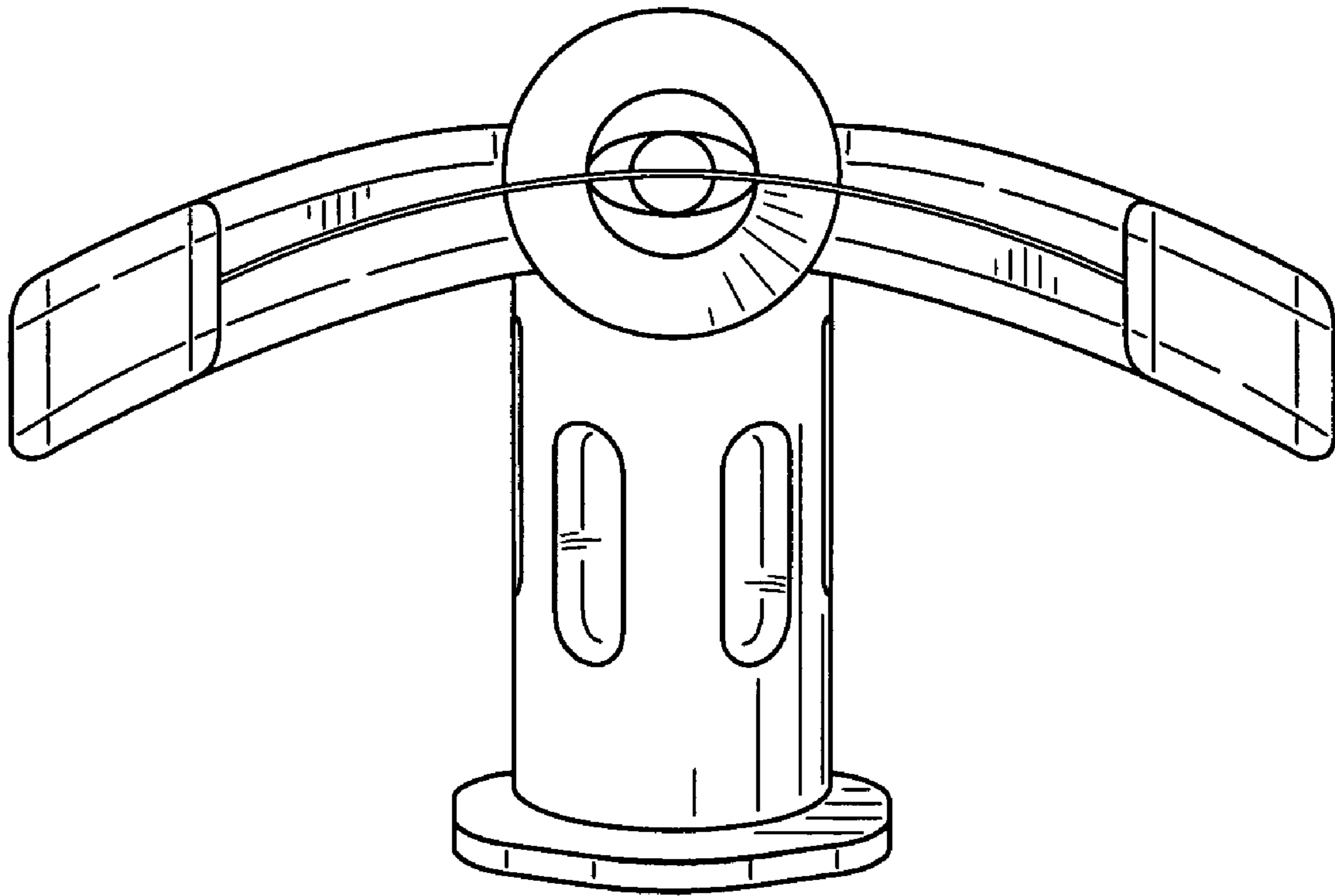


FIG. 4

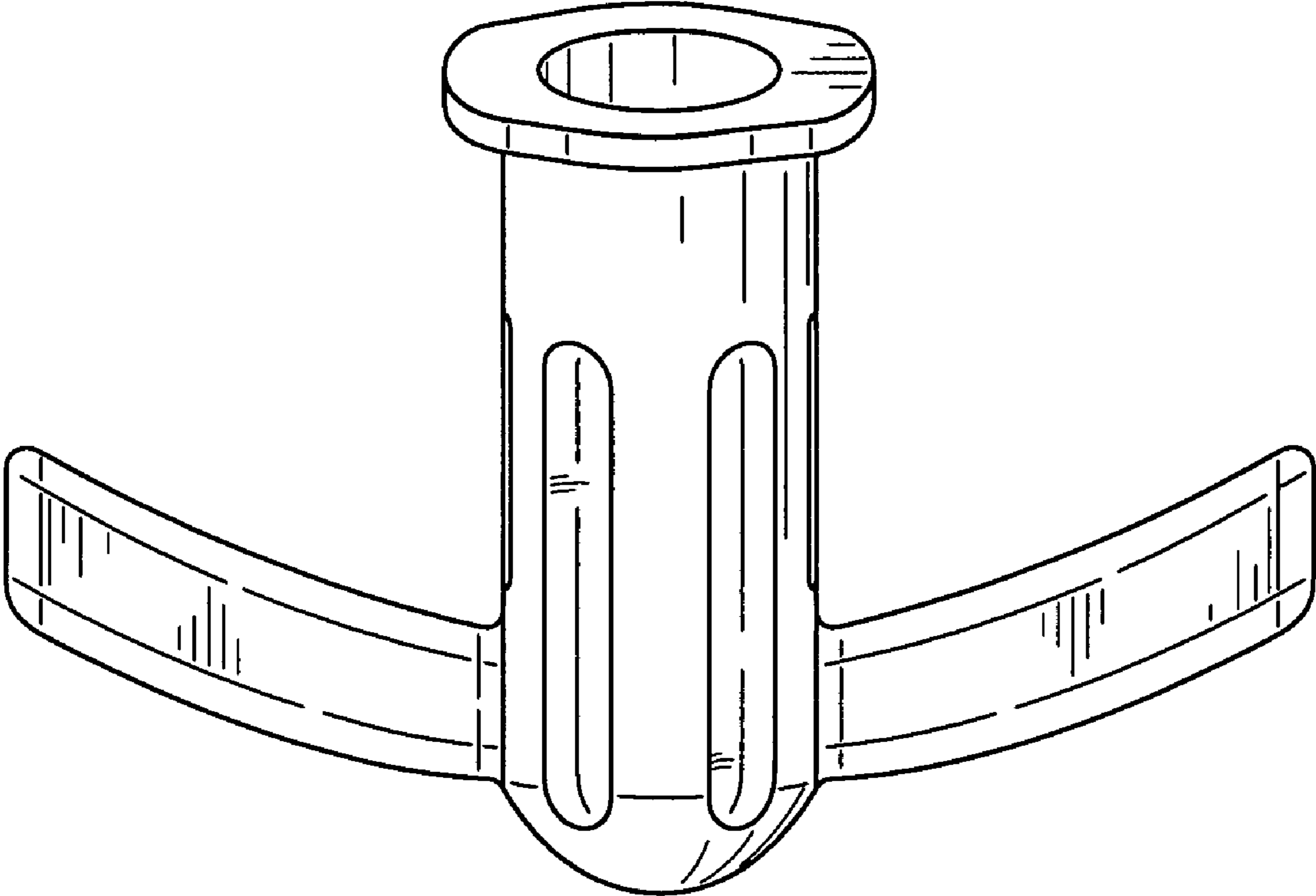


FIG. 5