



US00D625008S

(12) **United States Design Patent**
Boedeker

(10) **Patent No.:** **US D625,008 S**

(45) **Date of Patent:** **** Oct. 5, 2010**

(54) **MAGILL FORCEPS**

(75) **Inventor:** **Ben Boedeker**, Omaha, NE (US)

(73) **Assignee:** **Board of Regents of the University of Nebraska**, Lincoln, NE (US)

(**) **Term:** **14 Years**

(21) **Appl. No.:** **29/353,828**

(22) **Filed:** **Jan. 14, 2010**

(30) **Foreign Application Priority Data**

Jul. 14, 2009 (EM) 001581810-0019

(51) **LOC (9) Cl.** **24-02**

(52) **U.S. Cl.** **D24/143; D24/133; D24/148**

(58) **Field of Classification Search** D24/133,
D24/138, 146-148, 153; D8/52, 54, 57;
600/141-142, 194, 208; 606/52, 108, 151,
606/167, 172, 205, 207, 208

See application file for complete search history.

(56) **References Cited**

U.S. PATENT DOCUMENTS

943,263	A *	12/1909	Moraweck	606/207
1,193,987	A *	8/1916	Burdin	606/207
3,316,913	A *	5/1967	Swenson	606/108
3,709,215	A *	1/1973	Richmond	606/205
3,779,248	A *	12/1973	Karman	606/207
D274,096	S *	5/1984	Shutt	D24/143
4,827,929	A *	5/1989	Hodge	606/207
6,761,725	B1 *	7/2004	Grayzel et al.	606/207
7,087,070	B2 *	8/2006	Flipo	606/205
7,393,348	B2 *	7/2008	Dworschak et al.	606/208

7,438,717	B2 *	10/2008	Tylke	606/108
7,666,201	B2 *	2/2010	Grayzel et al.	606/207
2009/0318768	A1 *	12/2009	Tenger et al.	600/194
2010/0152541	A1 *	6/2010	Tenger et al.	600/194

OTHER PUBLICATIONS

Magill_Forceps, GA-1011, 1 page [on line], [retrieved on Jul. 29, 2010]. Retrieved from Internet: <URL: http://www.google.com.>.*
Pince-Magill, 1 page [on line], [retrieved on Jul. 29, 2010]. Retrieved from Internet: <URL: http://www.google.com.>.*
Magill Forceps, 1 page [on line], [retrieved on Jul. 29, 2010]. Retrieved from Internet: <URL: http://www.google.com.>.*

* cited by examiner

Primary Examiner—Freda S Nunn

Assistant Examiner—Wan Laymon

(74) *Attorney, Agent, or Firm*—St. Onge Steward Johnston & Reens LLC

(57) **CLAIM**

The ornamental design for a Magill forceps, as shown and described.

DESCRIPTION

FIG. 1 is a left side perspective view of a Magill forceps in accordance with the new design;

FIG. 2 is a left side elevation view thereof;

FIG. 3 is a right side elevation view thereof;

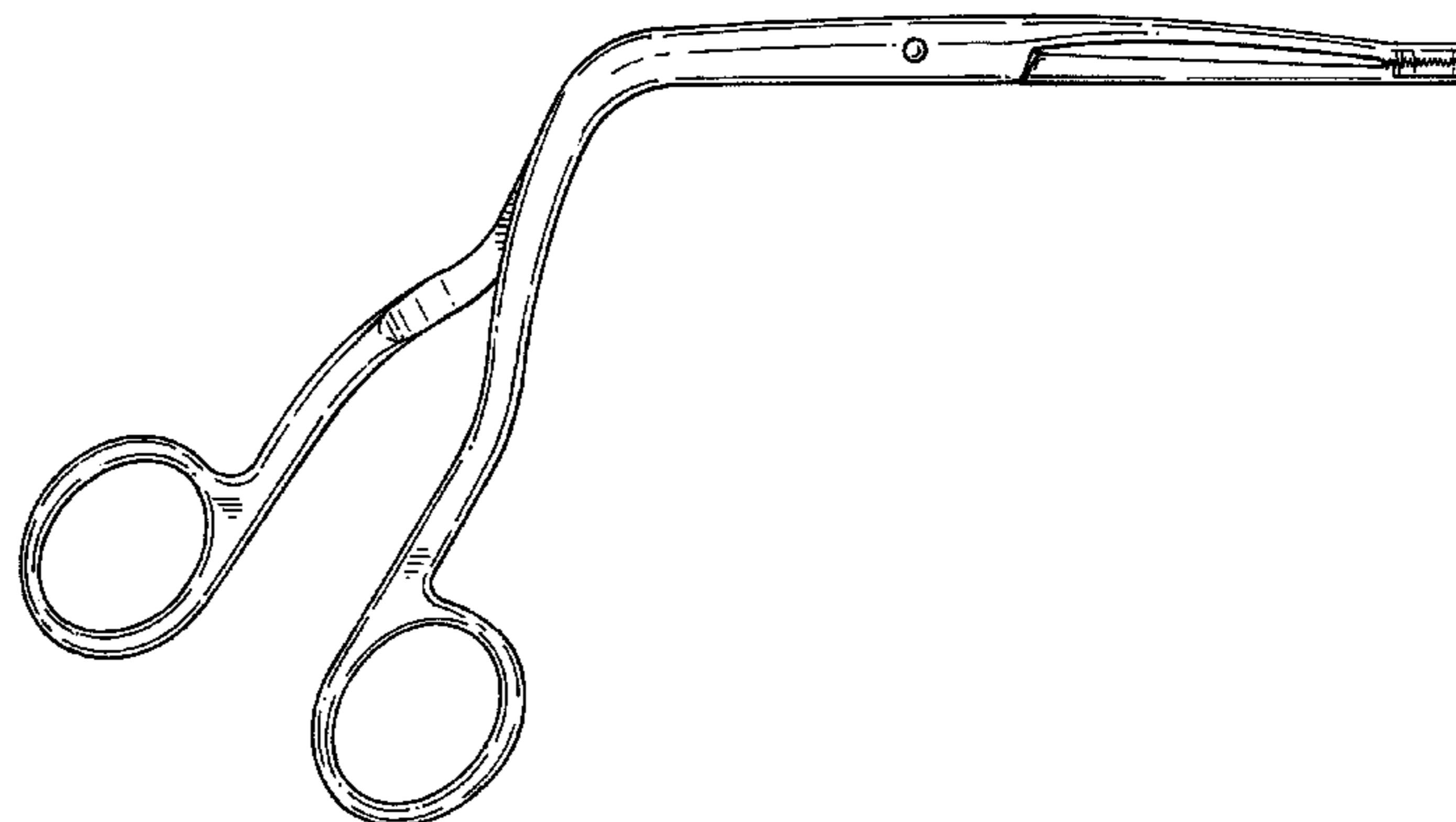
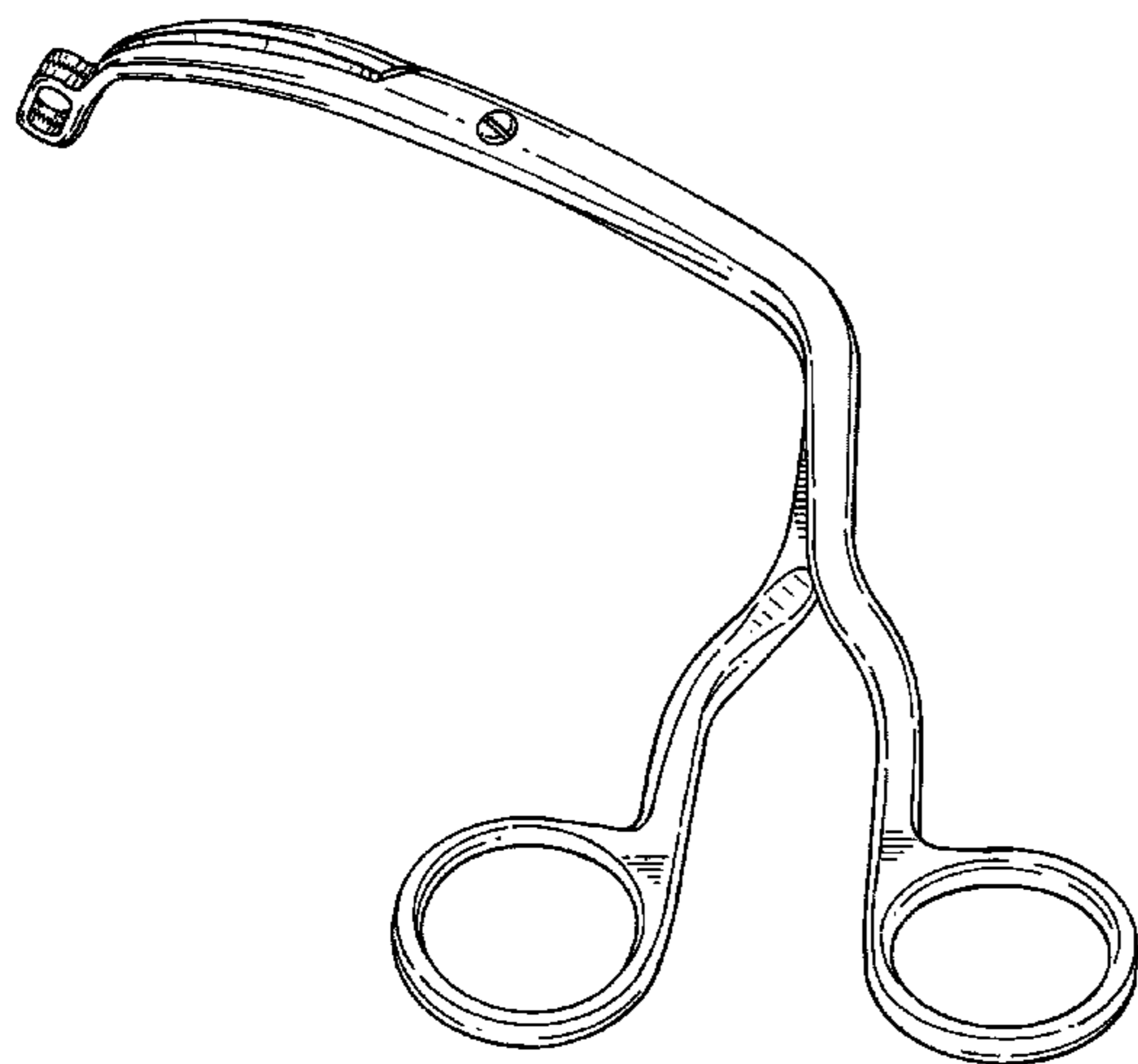
FIG. 4 is a top plan view thereof;

FIG. 5 is a bottom plan view thereof;

FIG. 6 is a front elevation view thereof; and,

FIG. 7 is a rear elevation view thereof.

1 Claim, 6 Drawing Sheets



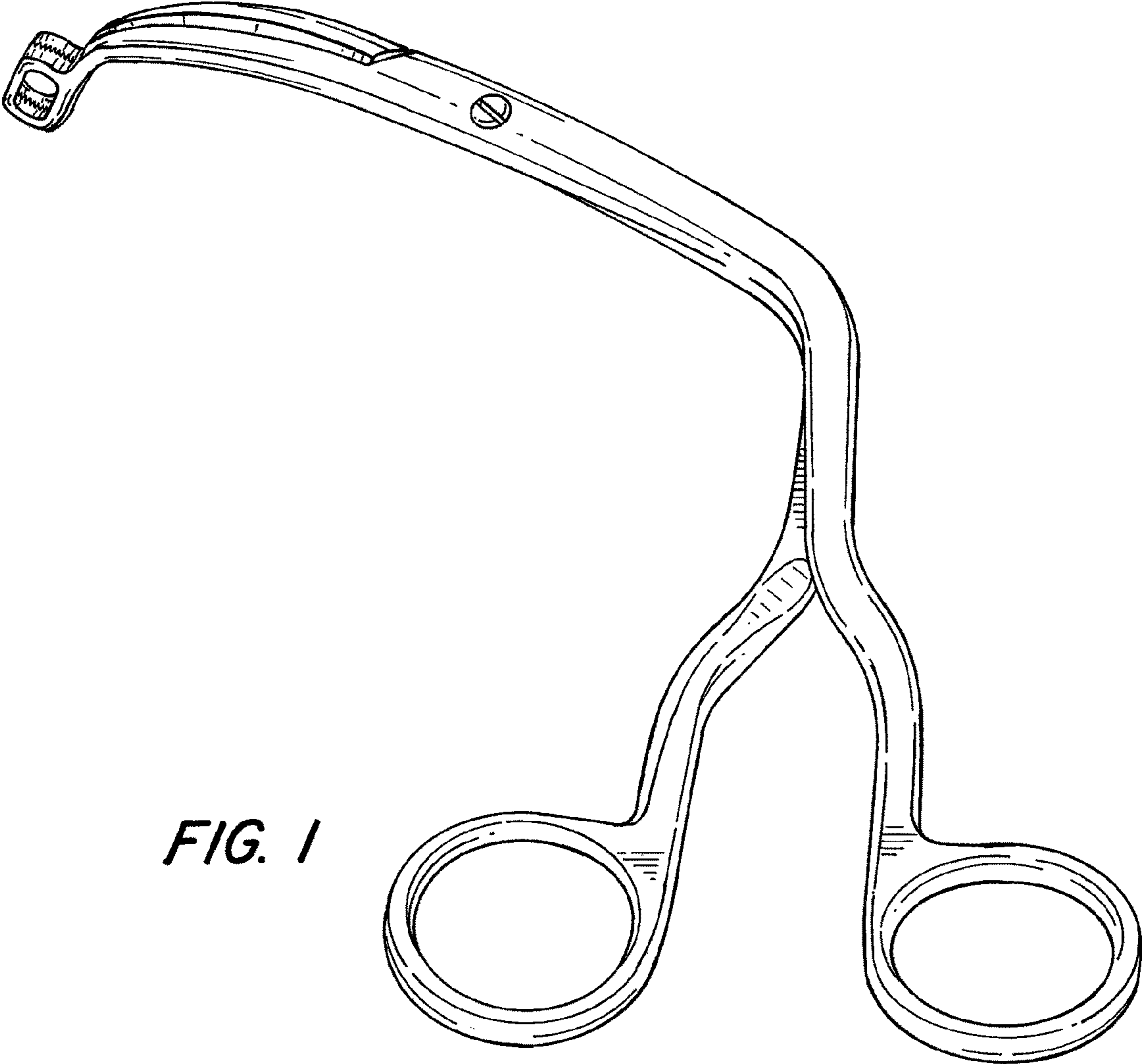


FIG. 1

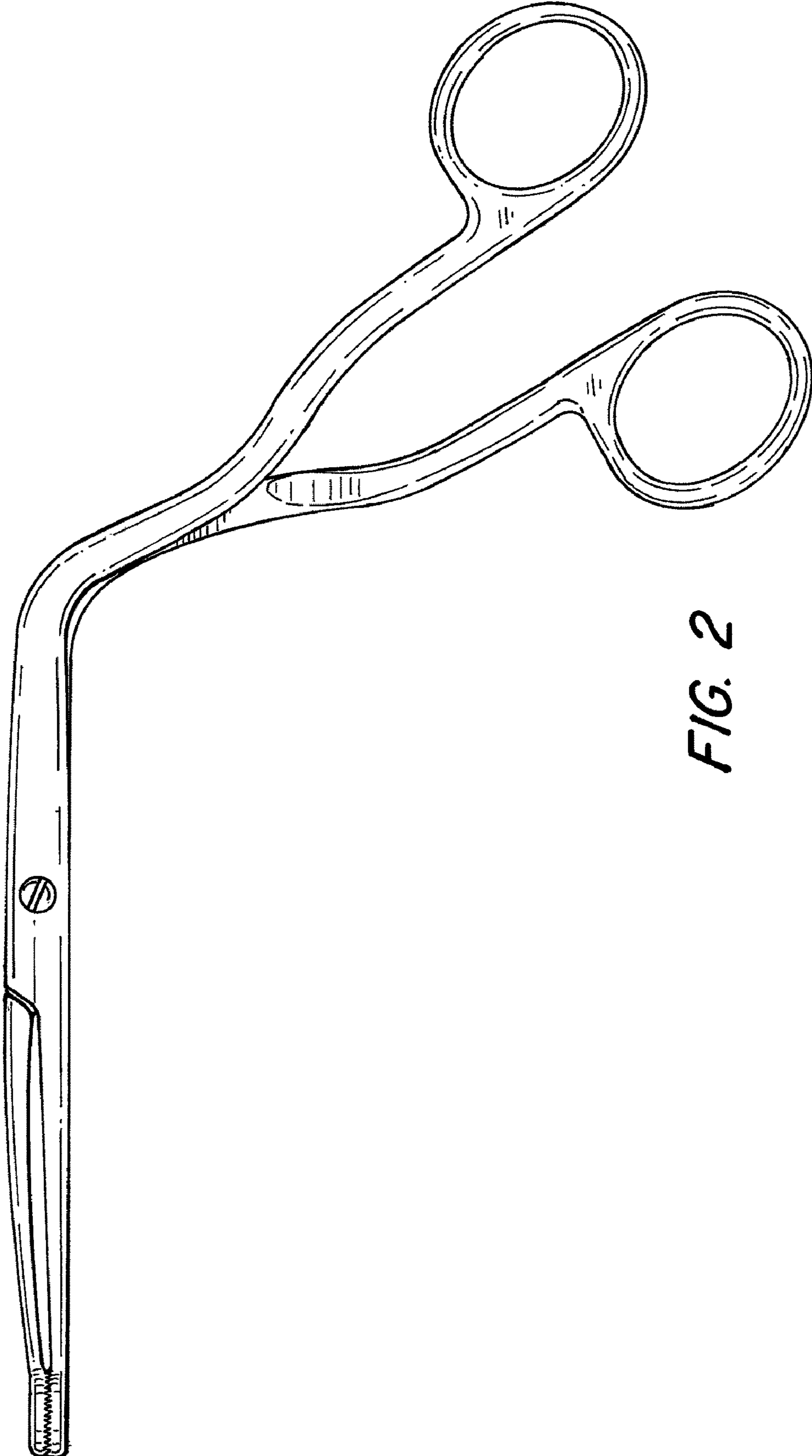


FIG. 2

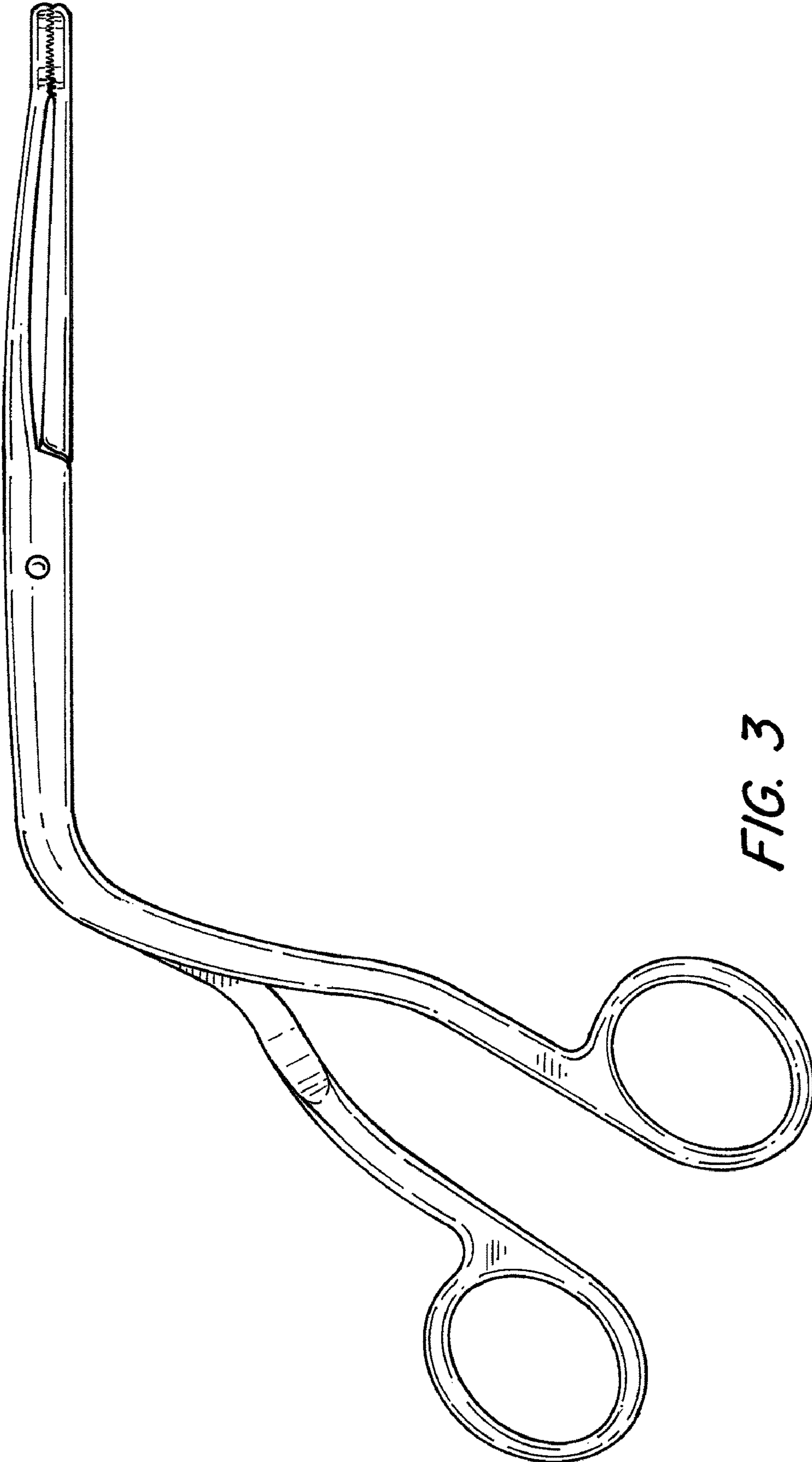


FIG. 3

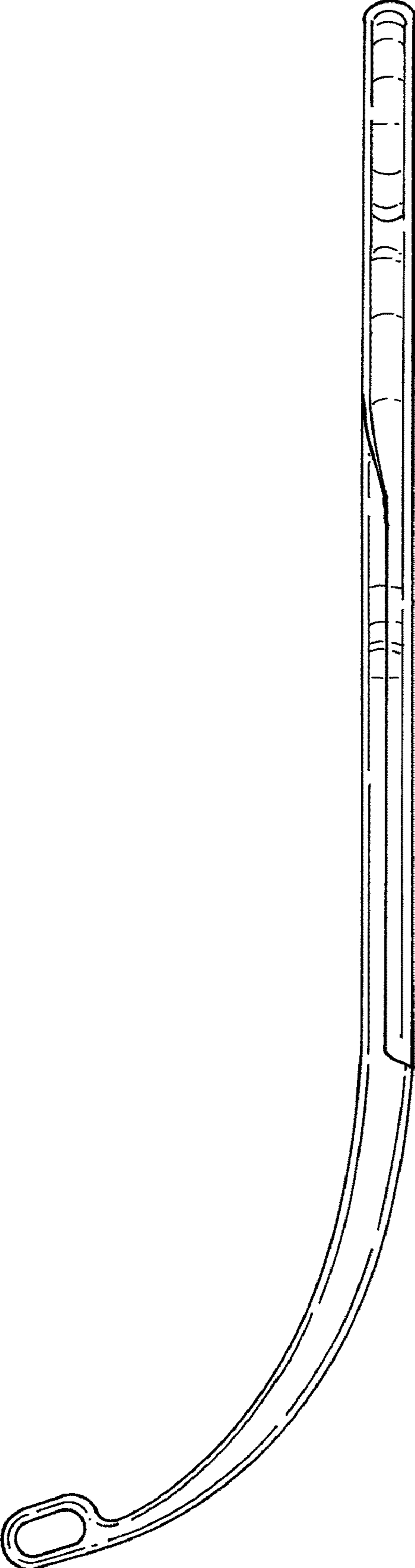


FIG. 4

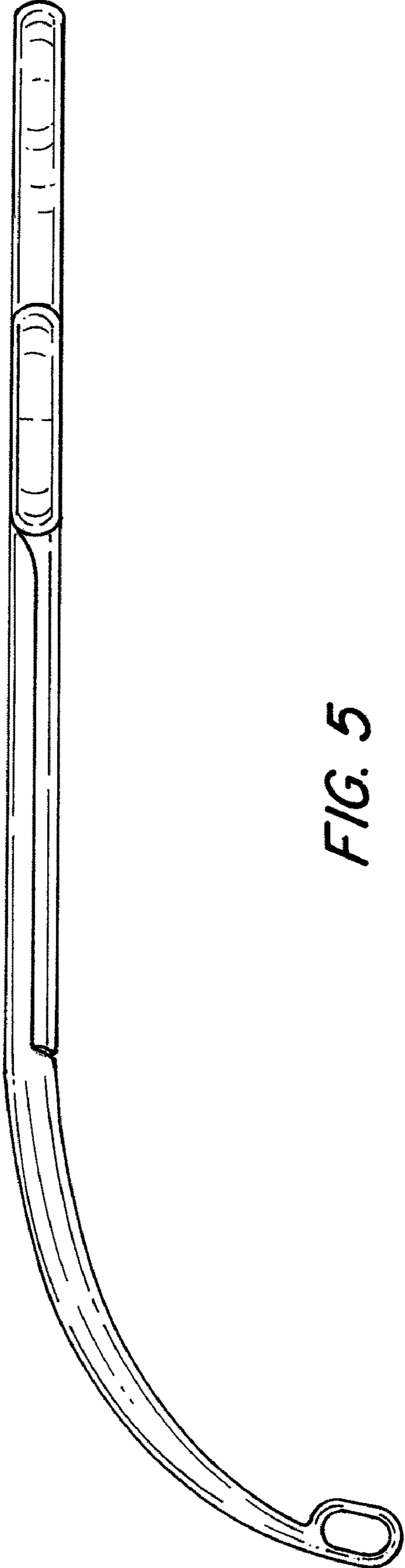


FIG. 5

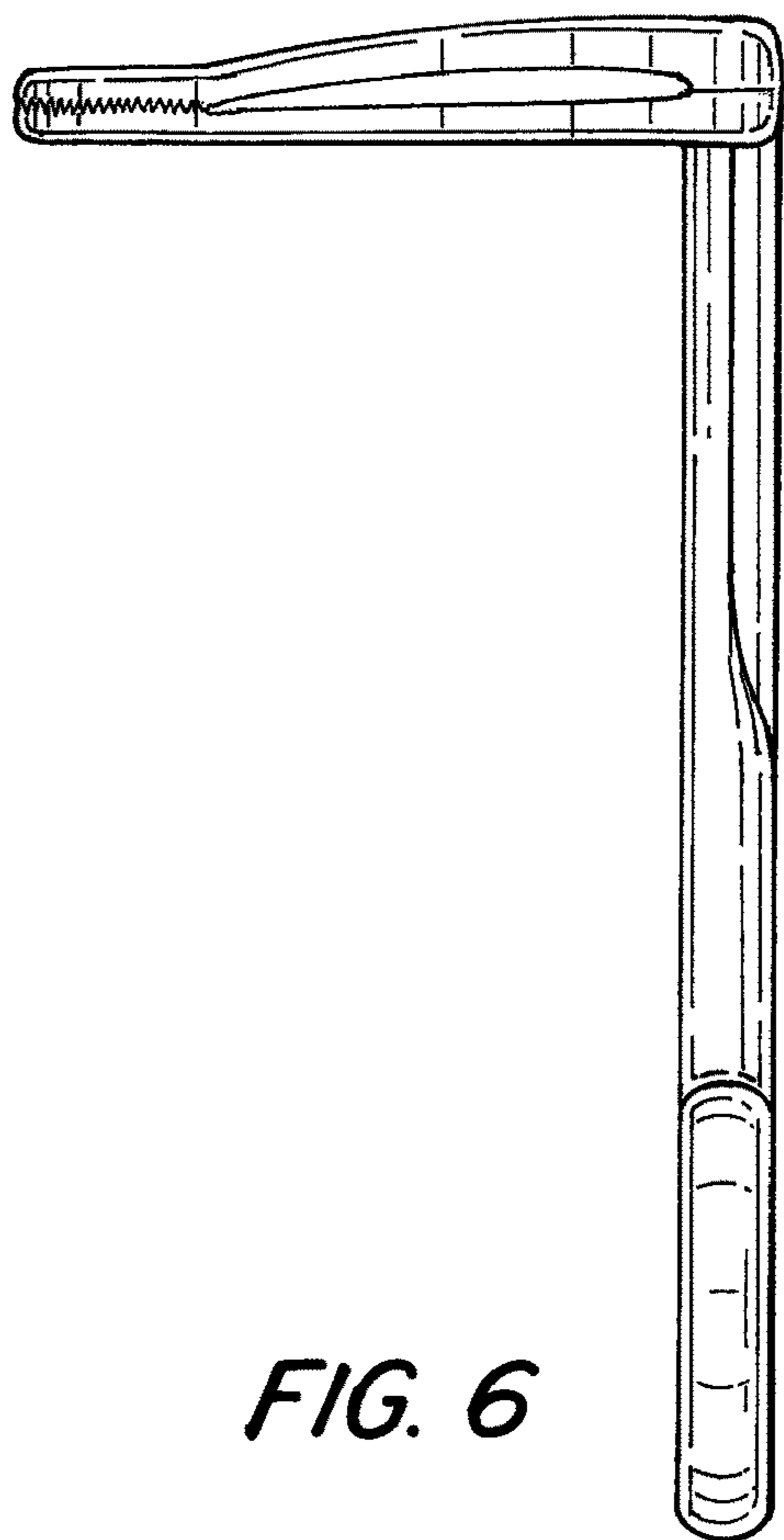


FIG. 6

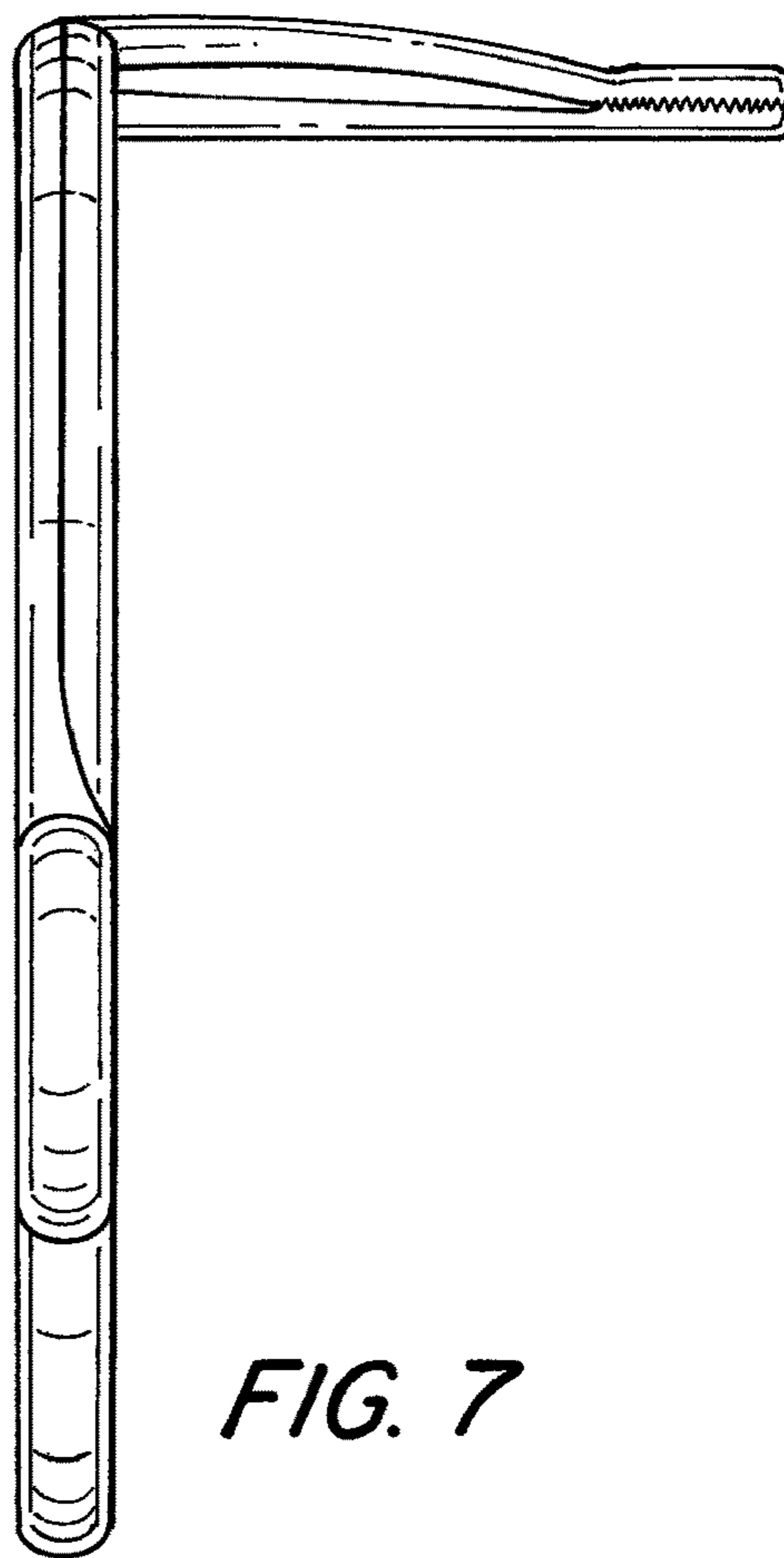


FIG. 7

UNITED STATES PATENT AND TRADEMARK OFFICE
CERTIFICATE OF CORRECTION

PATENT NO. : D625,008 S
APPLICATION NO. : 29/353828
DATED : October 5, 2010
INVENTOR(S) : Ben Boedeker

Page 1 of 1

It is certified that error appears in the above-identified patent and that said Letters Patent is hereby corrected as shown below:

On the Title Page:
Column 2, item (57) Description: insert

--This invention was made with government support under Grant No.
W81XWH-06-1-0019 awarded by the ARMY/MRMC. The government has certain rights in
the invention.--

Signed and Sealed this
Twenty-second Day of February, 2011

A handwritten signature in black ink that reads "David J. Kappos". The signature is written in a cursive style with a large initial "D" and "K".

David J. Kappos
Director of the United States Patent and Trademark Office