



US00D625007S

(12) **United States Design Patent**  
**Macken**

(10) **Patent No.:** **US D625,007 S**

(45) **Date of Patent:** **\*\* Oct. 5, 2010**

(54) **SURGICAL TOOL**

(76) **Inventor:** **Peter Leo Macken**, Suite 8, 70 Bowral Street, Bowral, New South Wales (AU) 2576

(\*\*) **Term:** **14 Years**

(21) **Appl. No.:** **29/346,588**

(22) **Filed:** **Nov. 3, 2009**

(30) **Foreign Application Priority Data**

May 4, 2009 (AU) ..... 11548/2009

(51) **LOC (9) Cl.** ..... **24-02**

(52) **U.S. Cl.** ..... **D24/140**

(58) **Field of Classification Search** ..... D24/133, D24/134, 135, 136, 137, 138, 139, 140, 141, D24/142, 143, 146, 150, 152, 144, 145, 147, D24/148, 149, 151, 153, 154, 127, 128, 129, D24/130, 107-108, 112, 111, 200; D27/100, D27/101, 170, 183; D23/233, 235; D8/40, D8/47, 57, 60, 67, 68, 69, 80, 82, 83, 84, D8/93, 94, 97, 107; 600/184, 220-223, 224, 600/225-227, 201-203, 210-218; 606/7, 606/86 A, 86 B, 119, 129, 186; 81/9.22; 604/48

See application file for complete search history.

(56) **References Cited**

**U.S. PATENT DOCUMENTS**

D271,563 S \* 11/1983 Gehrie ..... D8/343

D323,213 S \* 1/1992 Iacone ..... D24/129  
D345,321 S \* 3/1994 Kaneko ..... D10/126  
D395,839 S \* 7/1998 Galli ..... D10/132  
7,582,092 B2 \* 9/2009 Jones et al. .... 606/102  
7,662,611 B2 \* 2/2010 Schmidt et al. .... 435/284.1  
2006/0025778 A1 \* 2/2006 Ferree ..... 606/102  
2009/0275994 A1 \* 11/2009 Phan et al. .... 606/86 A

**FOREIGN PATENT DOCUMENTS**

EM 001175327-0001 \* 11/2009

\* cited by examiner

*Primary Examiner*—Bridget L Eland

(74) *Attorney, Agent, or Firm*—Whitham, Curtis, Christofferson & Cook, P.C.

(57) **CLAIM**

I claim the ornamental design for the surgical tool, as shown and described.

**DESCRIPTION**

FIG. 1 is a top plan view of the surgical tool;

FIG. 2 is a bottom plan view of the surgical tool;

FIG. 3 is a top perspective view of the surgical tool;

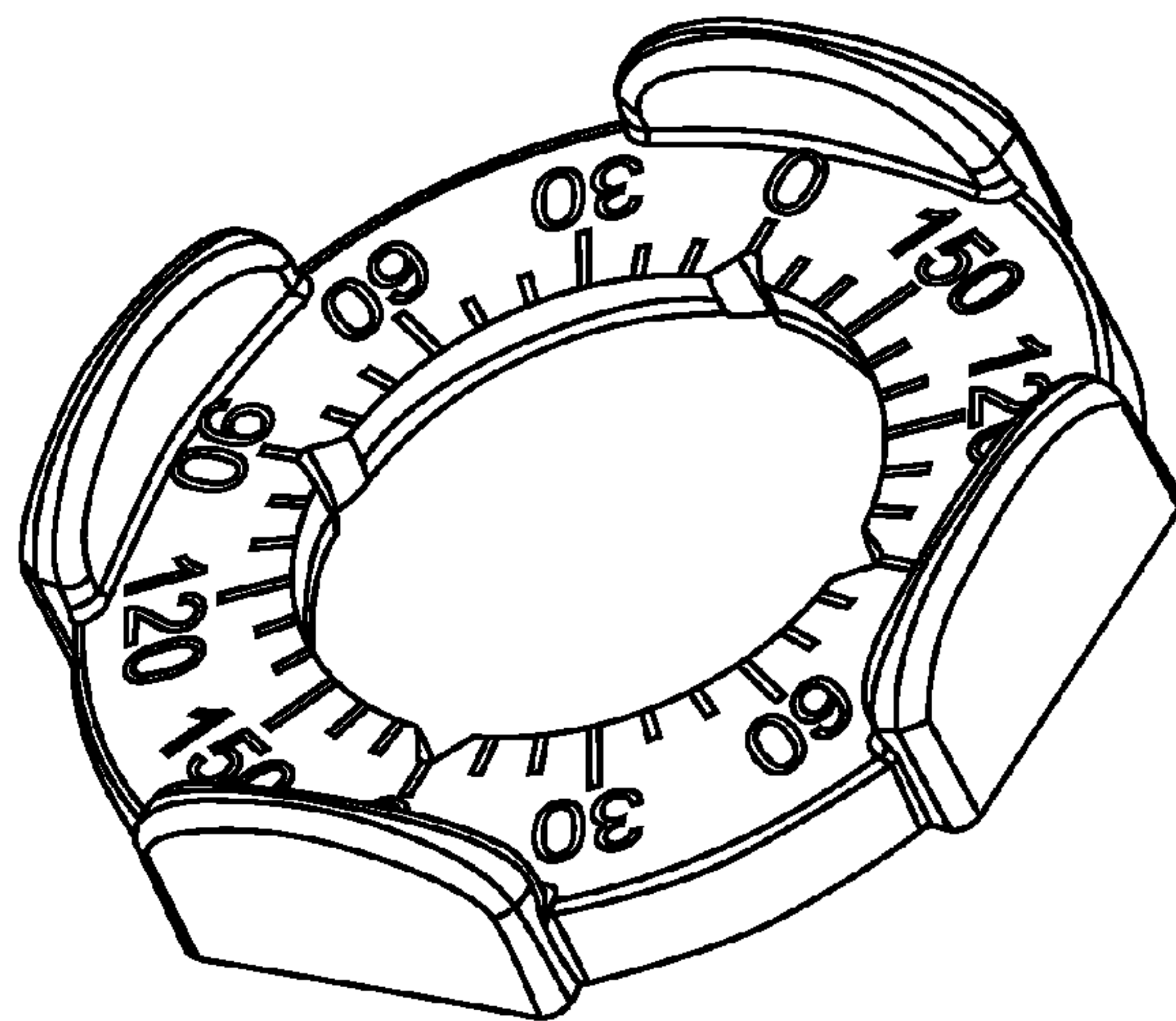
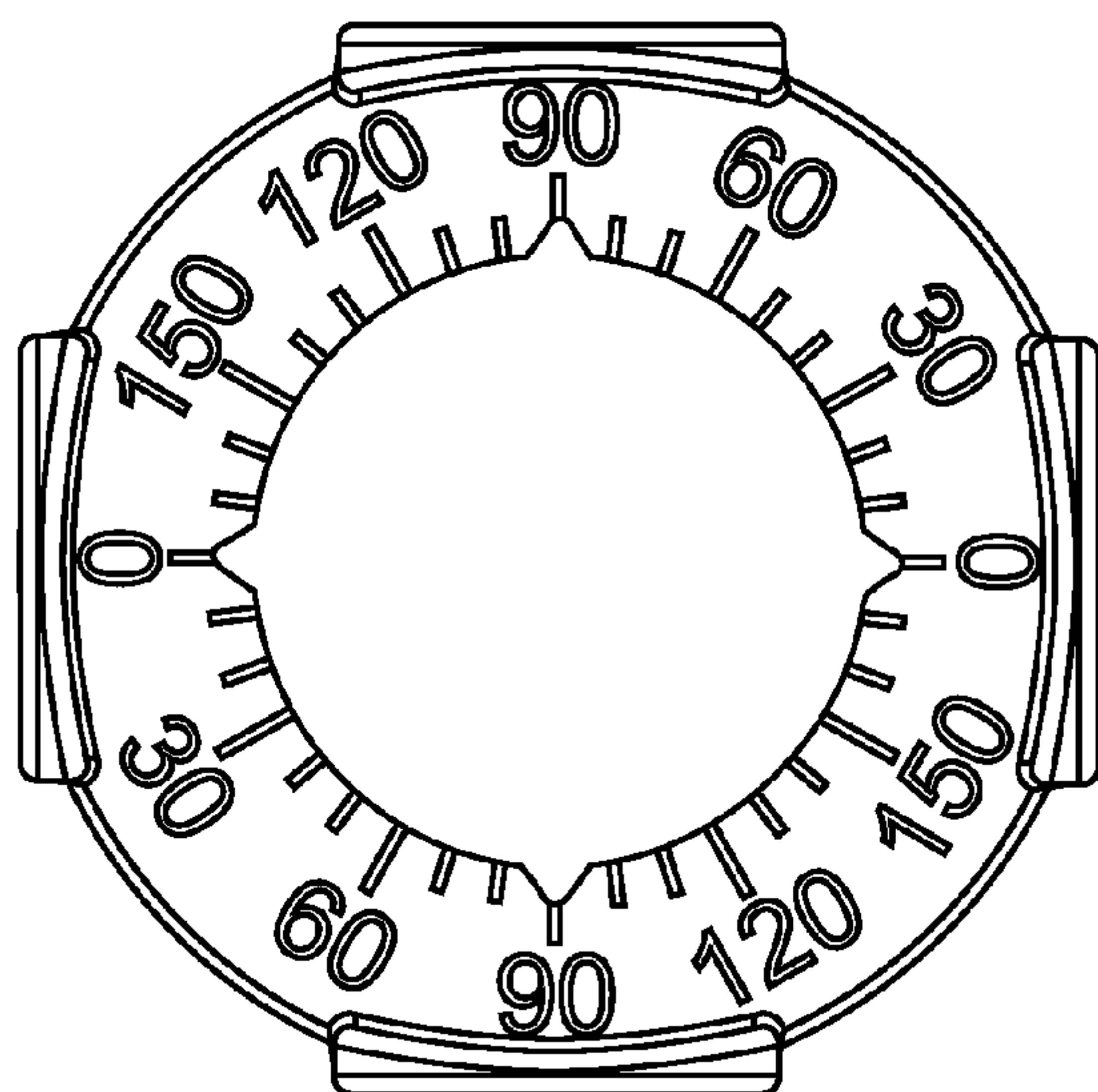
FIG. 4 is a bottom perspective view of the surgical tool;

FIG. 5 is another bottom perspective view of the surgical tool;

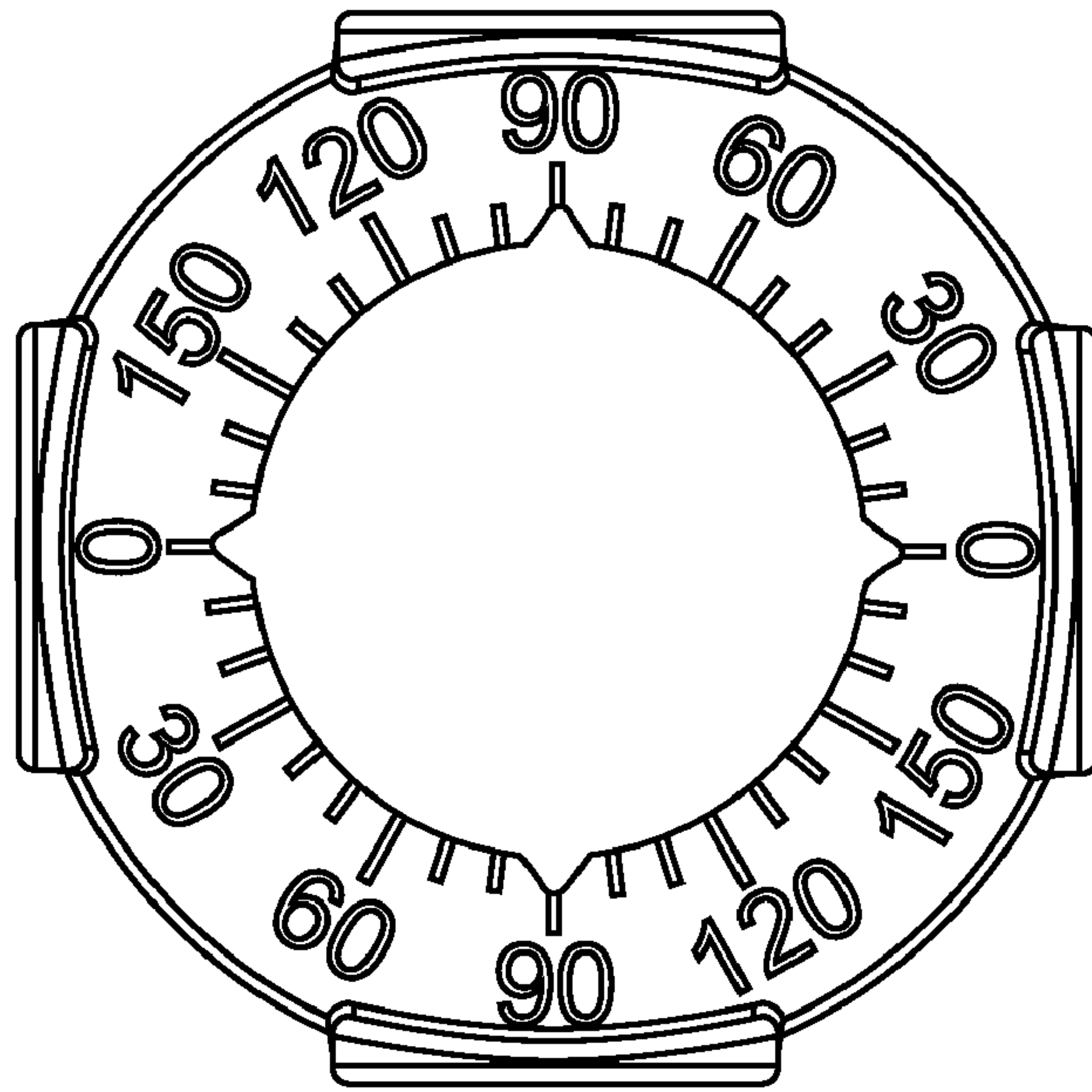
FIG. 6 is a front and rear end perspective view of the surgical tool; and,

FIG. 7 is a left and right side perspective view of the surgical tool.

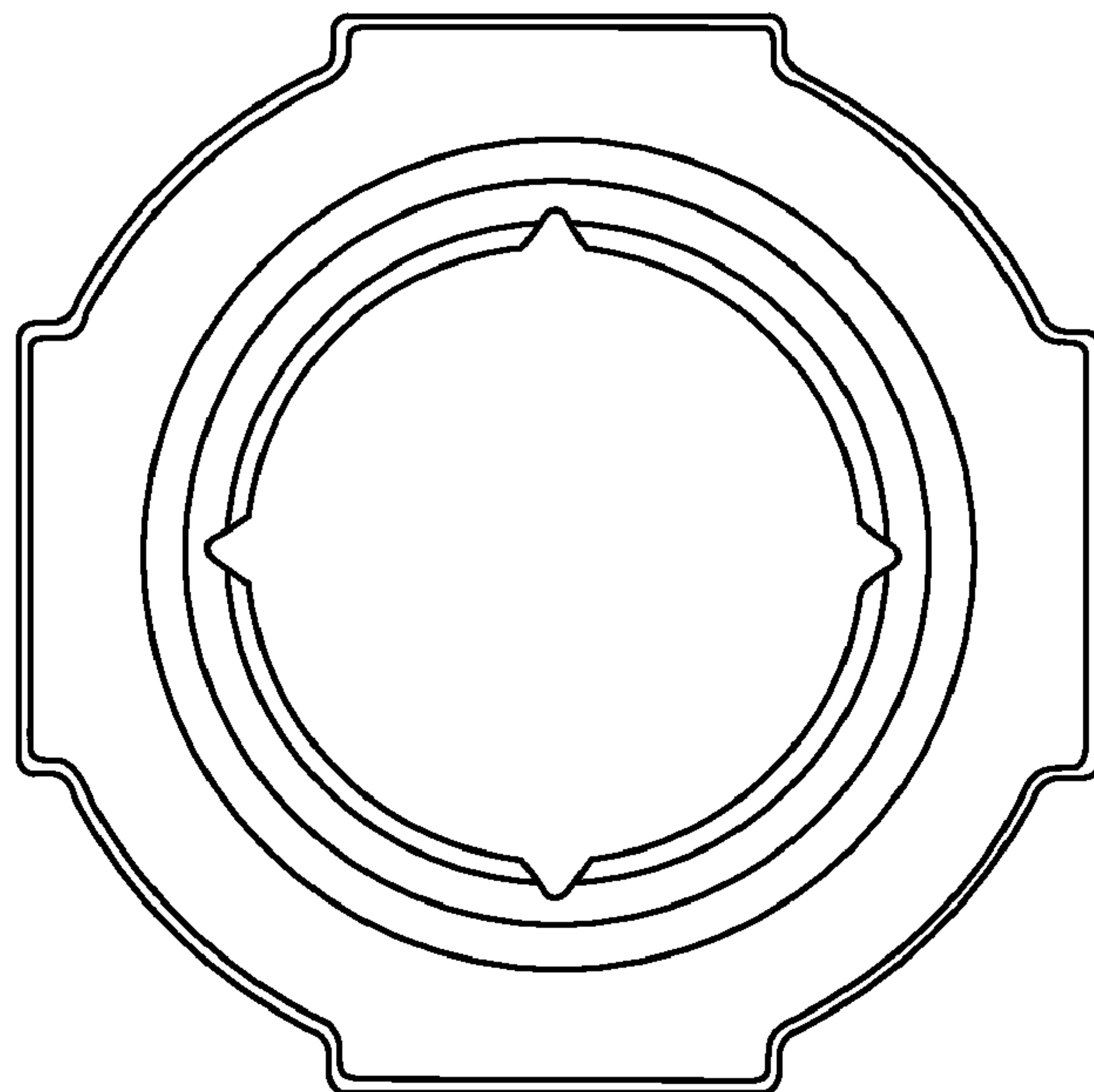
**1 Claim, 3 Drawing Sheets**



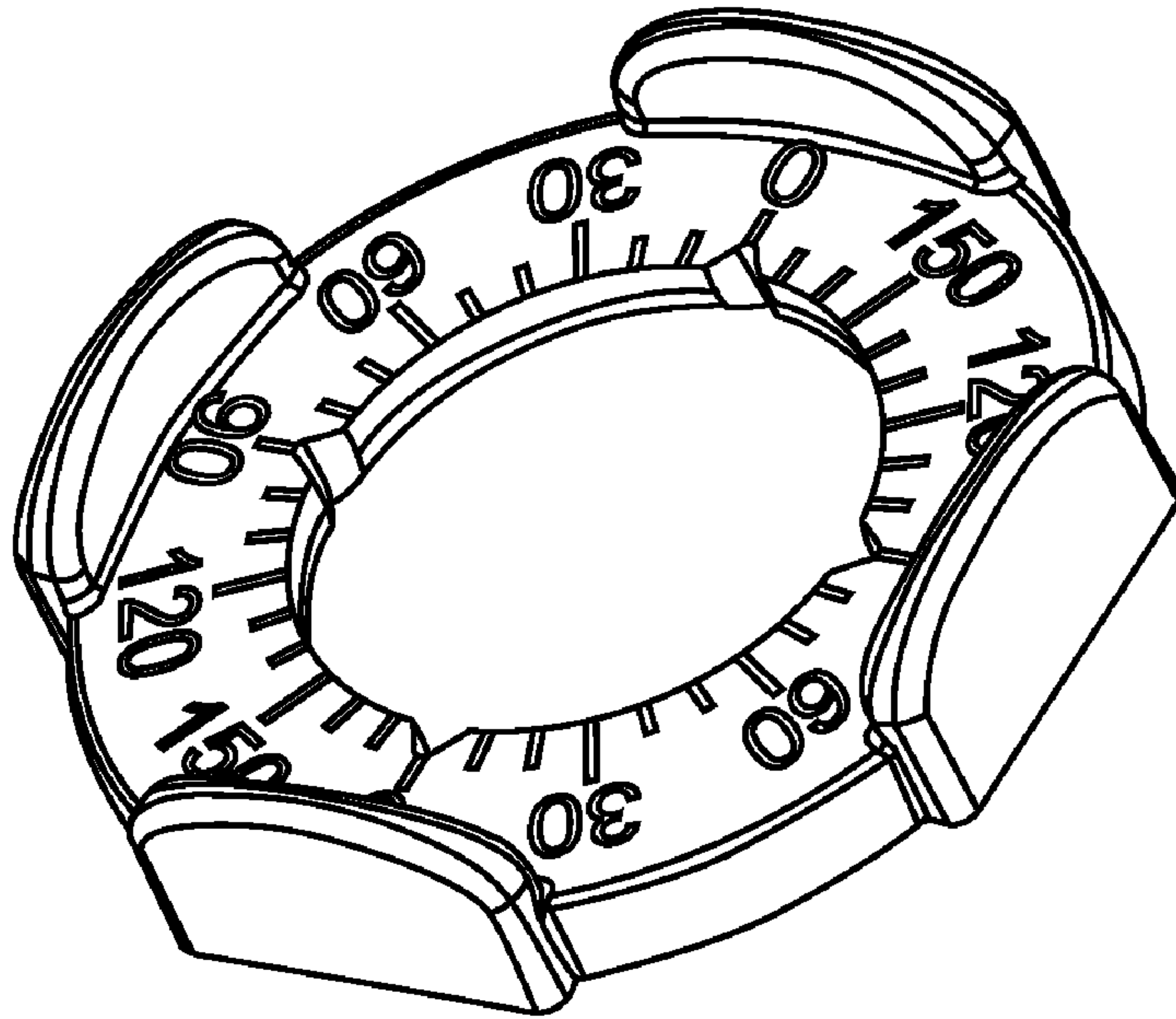
**FIGURE 1**



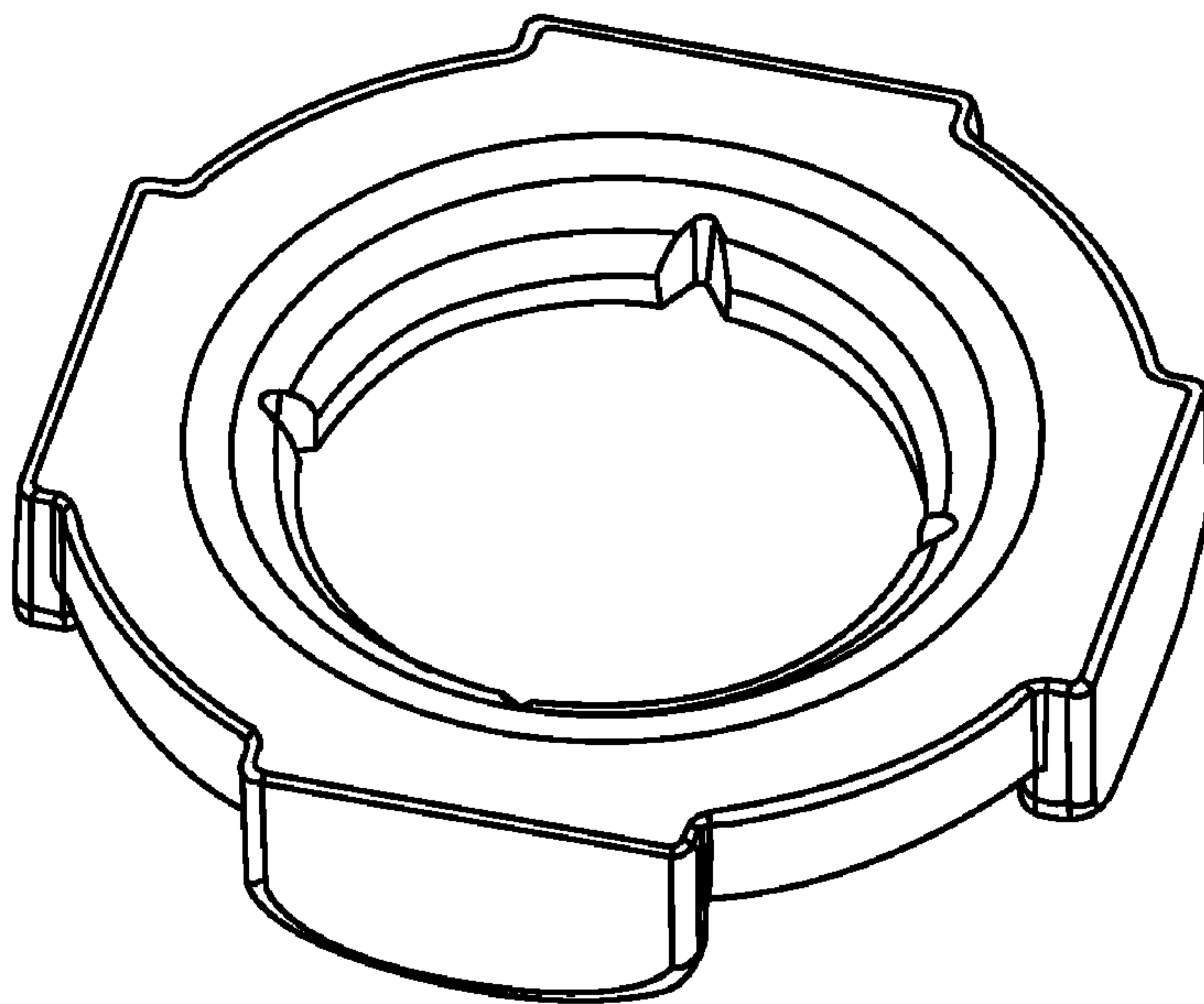
**FIGURE 2**



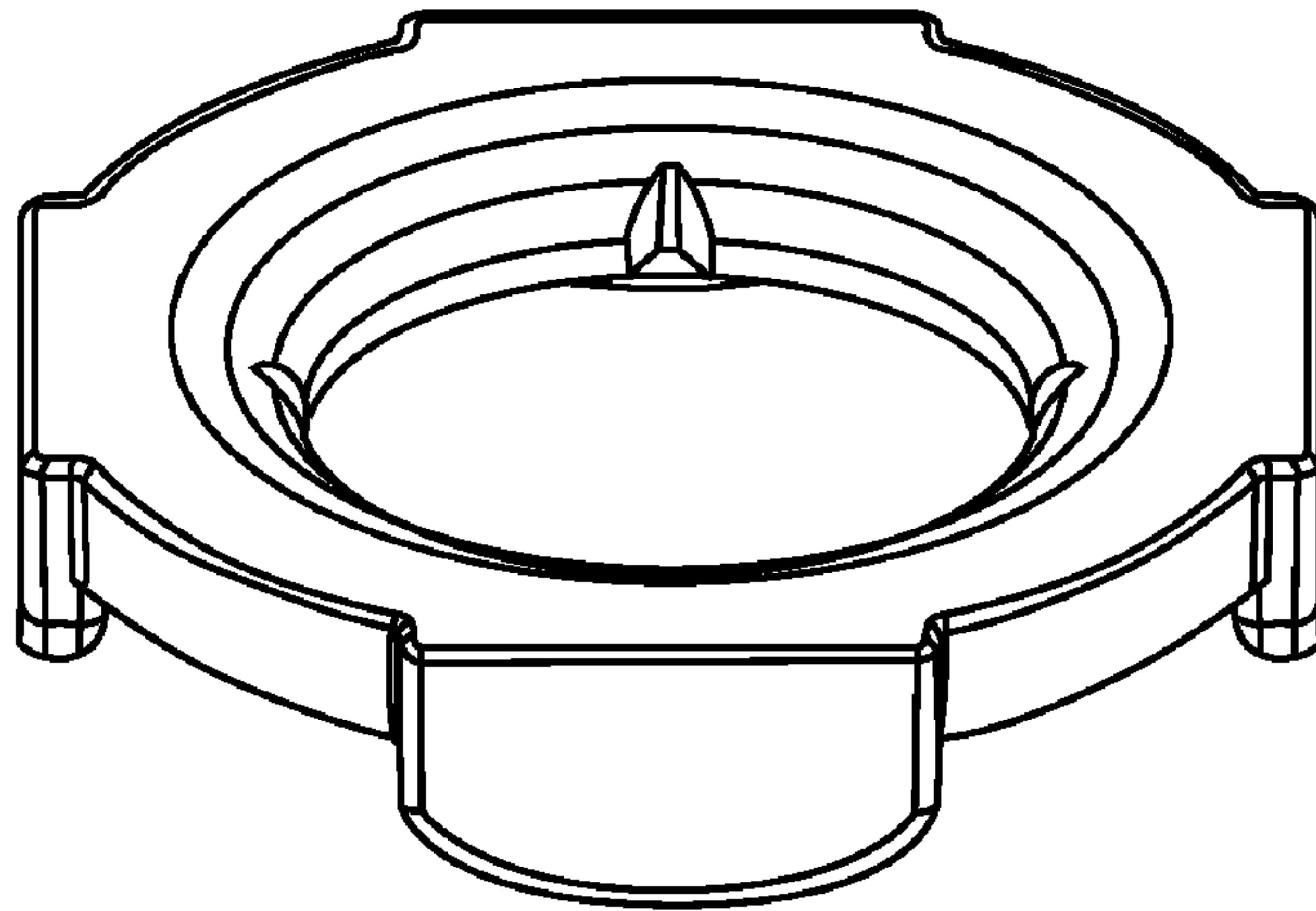
**FIGURE 3**



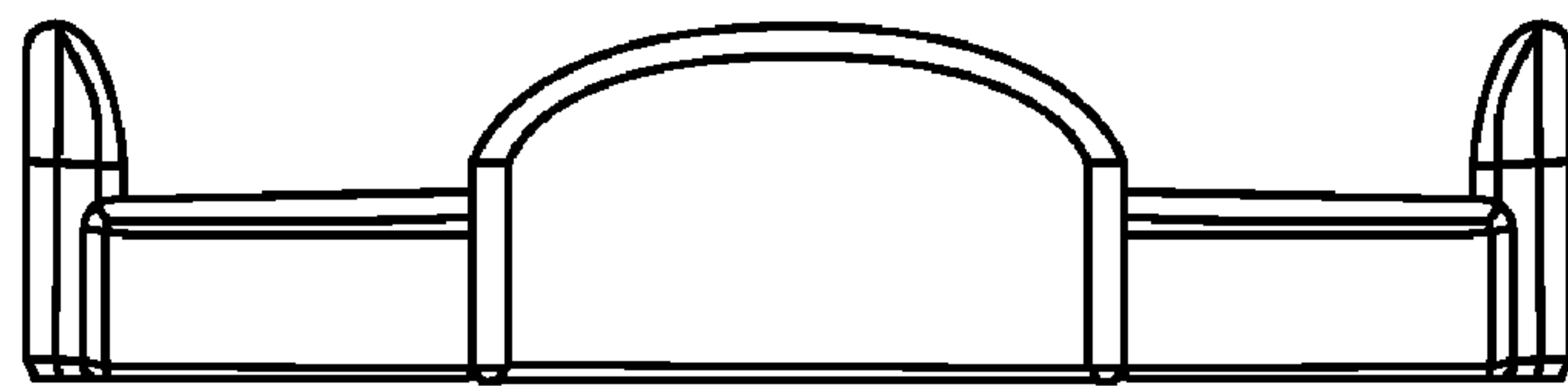
**FIGURE 4**



**FIGURE 5**



**FIGURE 6**



**FIGURE 7**

