



US00D625005S

(12) **United States Design Patent**
Zimmer et al.

(10) **Patent No.:** **US D625,005 S**

(45) **Date of Patent:** **** Oct. 5, 2010**

(54) **BIOPSY SITE MARKER**

(75) Inventors: **Brian S. Zimmer**, Indianapolis, IN (US); **Zachary R. Nicoson**, Indianapolis, IN (US); **Laresha V. Fluker**, Indianapolis, IN (US)

(73) Assignee: **Hologic, Inc.**, Marlborough, MA (US)

(**) Term: **14 Years**

(21) Appl. No.: **29/343,900**

(22) Filed: **Sep. 21, 2009**

(51) **LOC (9) Cl.** **24-02**

(52) **U.S. Cl.** **D24/140**

(58) **Field of Classification Search** D24/133, D24/134, 135, 136, 137, 138, 139, 140, 141, D24/142, 143, 146, 150, 152, 144, 145, 147, D24/148, 149, 151, 153, 154, 127, 128, 129, D24/130, 107-108, 112, 111, 200; D23/233, D23/235; D8/40, 47, 57, 60, 67, 68, 69, D8/80, 82, 83, 84, 93, 94, 97, 107, 72, 73, D8/74, 52, 56; 600/101, 104, 105, 106, 109, 600/112, 131, 135, 160, 162, 215, 431, 564, 600/568, 184, 220-223, 224, 225-227, 201-203, 600/210-218; 606/129, 186, 4, 5, 6, 7, 102, 606/86 A, 86 B, 119, 151, 157, 191-200; 81/9.22; 604/48

See application file for complete search history.

(56) **References Cited**

U.S. PATENT DOCUMENTS

D134,795 S *	1/1943	Du Bois	D11/95
D134,796 S *	1/1943	Du Bois	D11/95
3,502,070 A *	3/1970	Bliss	606/1
4,576,163 A *	3/1986	Bliss	606/1
5,480,440 A *	1/1996	Kambin	606/86 A
5,947,965 A *	9/1999	Bryan	606/86 A
D433,134 S *	10/2000	Pitesky	D24/136
6,652,540 B1 *	11/2003	Cole et al.	606/153
D522,140 S *	5/2006	Stalcup et al.	D24/135
7,214,226 B2 *	5/2007	Alleyne	606/86 A

2002/0035324 A1 *	3/2002	Sirimanne et al.	600/431
2002/0038087 A1 *	3/2002	Burbank et al.	600/431
2003/0204137 A1 *	10/2003	Chesbrough et al.	600/426
2004/0193044 A1 *	9/2004	Burbank et al.	600/431
2004/0236213 A1 *	11/2004	Jones et al.	600/431
2005/0165305 A1 *	7/2005	Foerster et al.	600/431
2005/0240181 A1 *	10/2005	Boomer et al.	606/61
2006/0004388 A1 *	1/2006	Whayne et al.	606/151
2006/0122597 A1 *	6/2006	Jones et al.	606/61
2006/0235298 A1 *	10/2006	Kotmel et al.	600/431
2006/0247673 A1 *	11/2006	Voegele et al.	606/191
2007/0055247 A1 *	3/2007	Jahng	606/61
2007/0078460 A1 *	4/2007	Frigg et al.	606/61

(Continued)

Primary Examiner—Bridget L Eland

(74) *Attorney, Agent, or Firm*—Mark A. Vivenzio

(57) **CLAIM**

We claim, the ornamental design for biopsy site marker, as shown and described.

DESCRIPTION

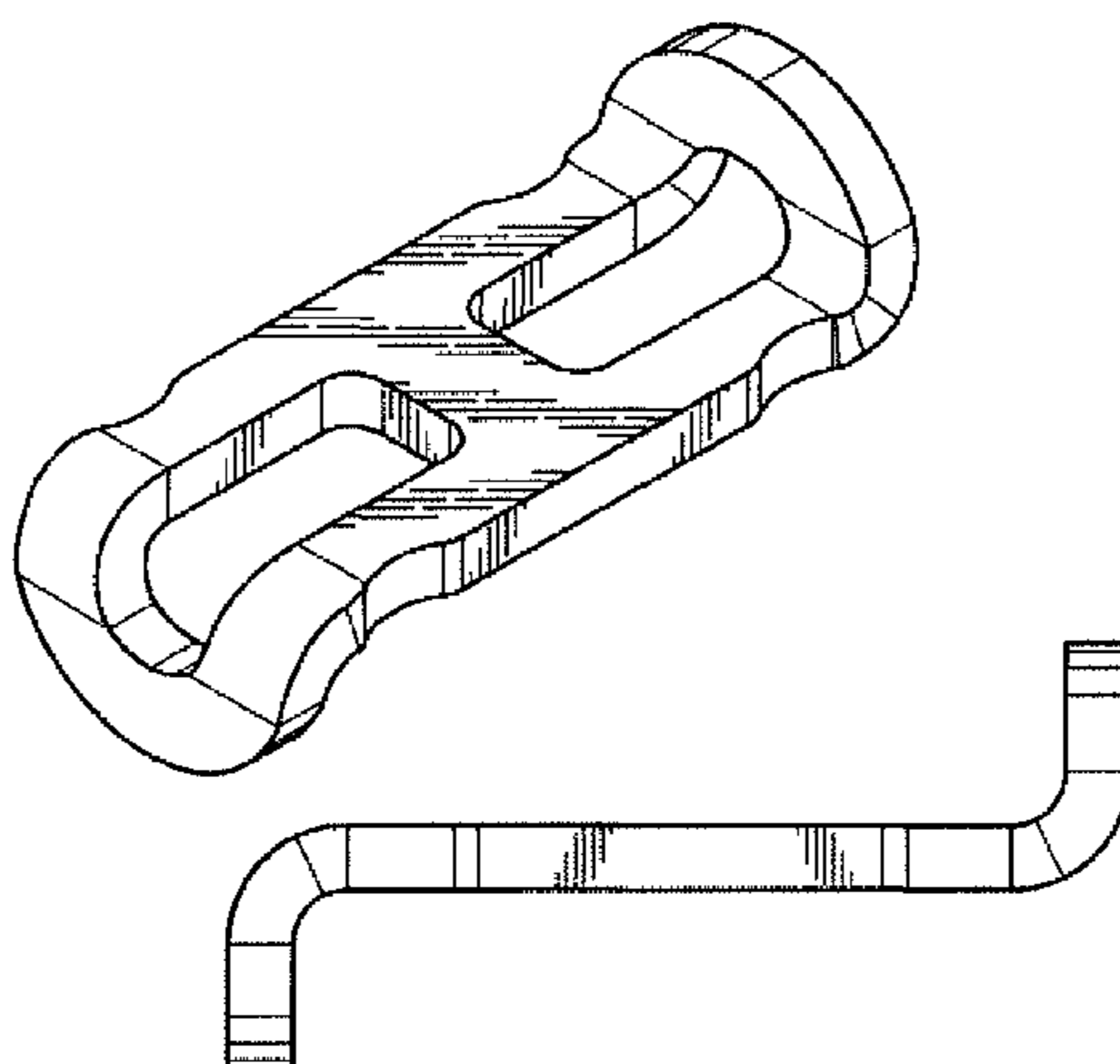
FIG. 1 is a perspective view of a biopsy site marker showing our new design;

FIG. 2 is a right side view of the marker of FIG. 1, the left side view is a mirror image thereof;

FIG. 3 is a front end view of the marker of FIG. 1, the back end view is a mirror image thereof; and,

FIG. 4 is a top view of the marker of FIG. 1, the bottom view is a mirror image thereof.

1 Claim, 1 Drawing Sheet



US D625,005 S

Page 2

U.S. PATENT DOCUMENTS	2010/0030072 A1*	2/2010	Casanova et al.	600/431	
2007/0142725 A1*	6/2007	Hardin et al.	600/431		
2009/0069670 A1*	3/2009	Mark	600/420		* cited by examiner

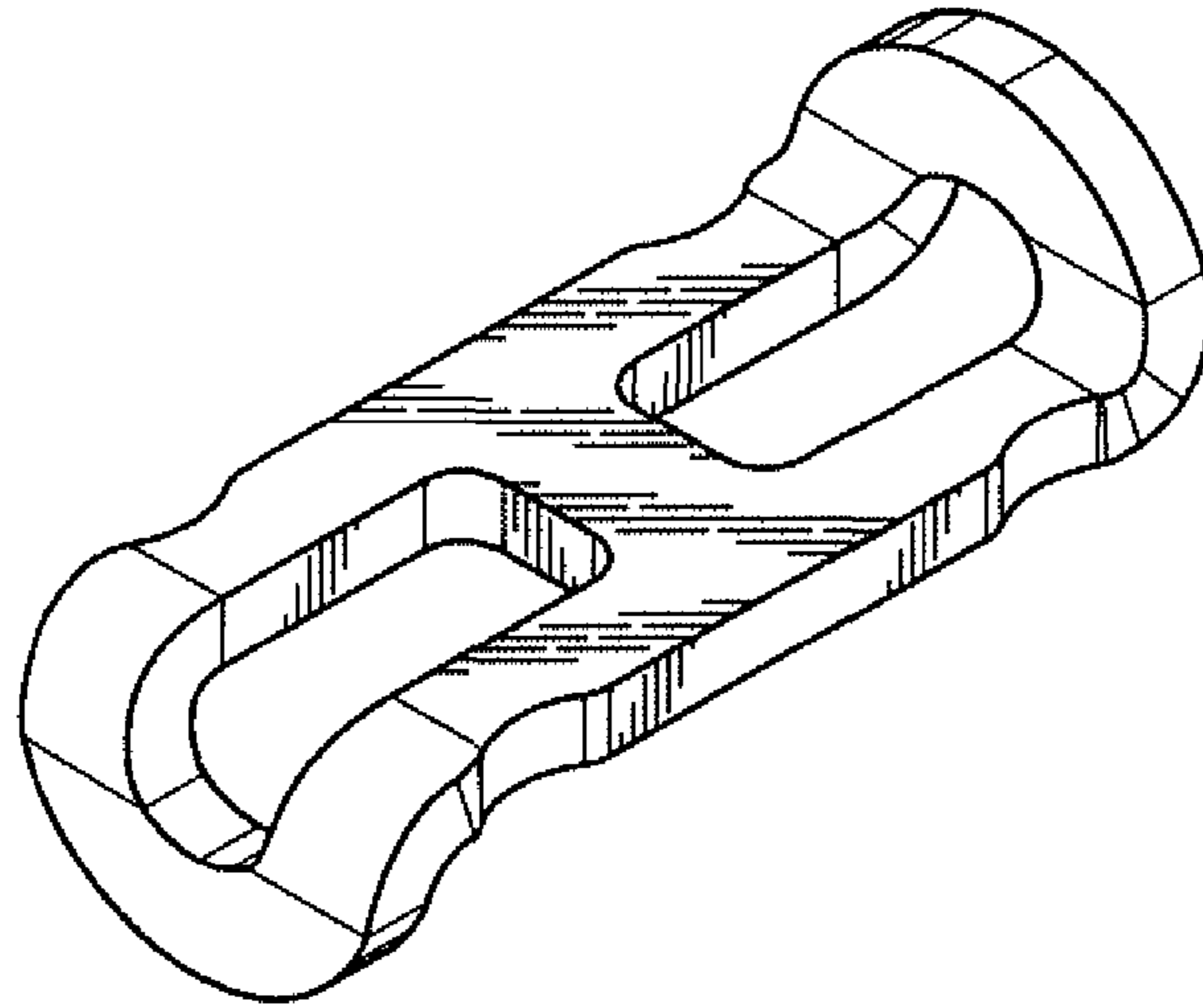


FIG. 1

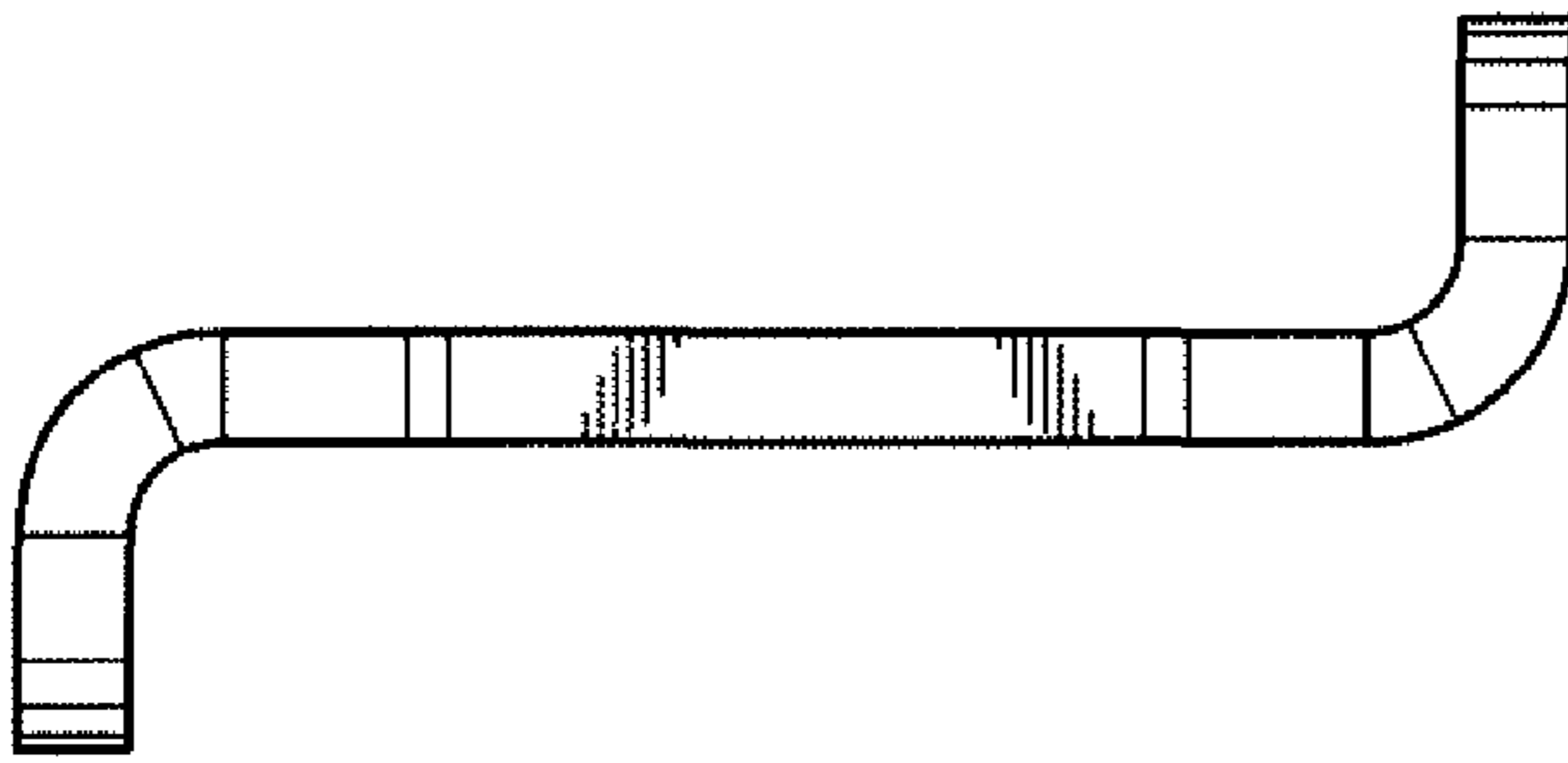


FIG. 2

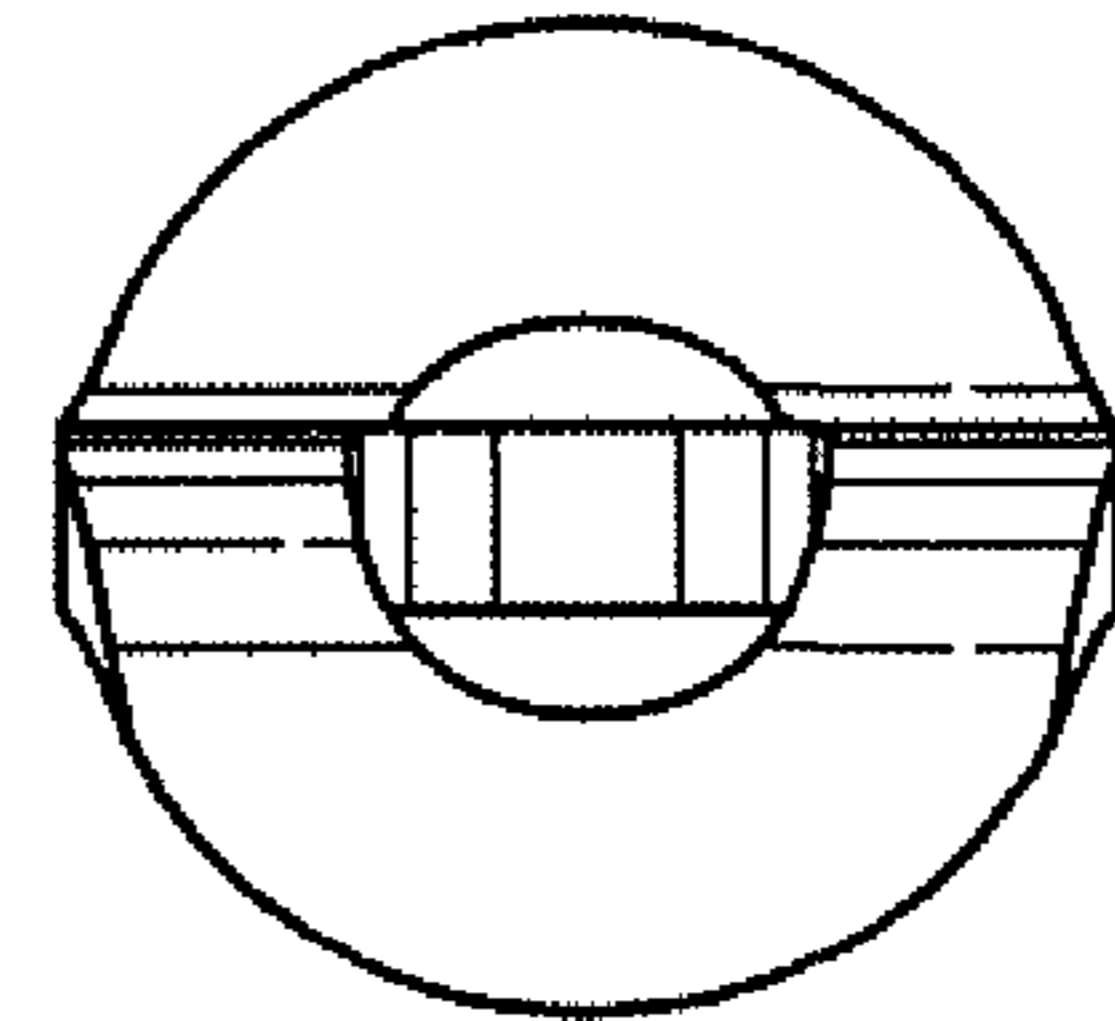


FIG. 3

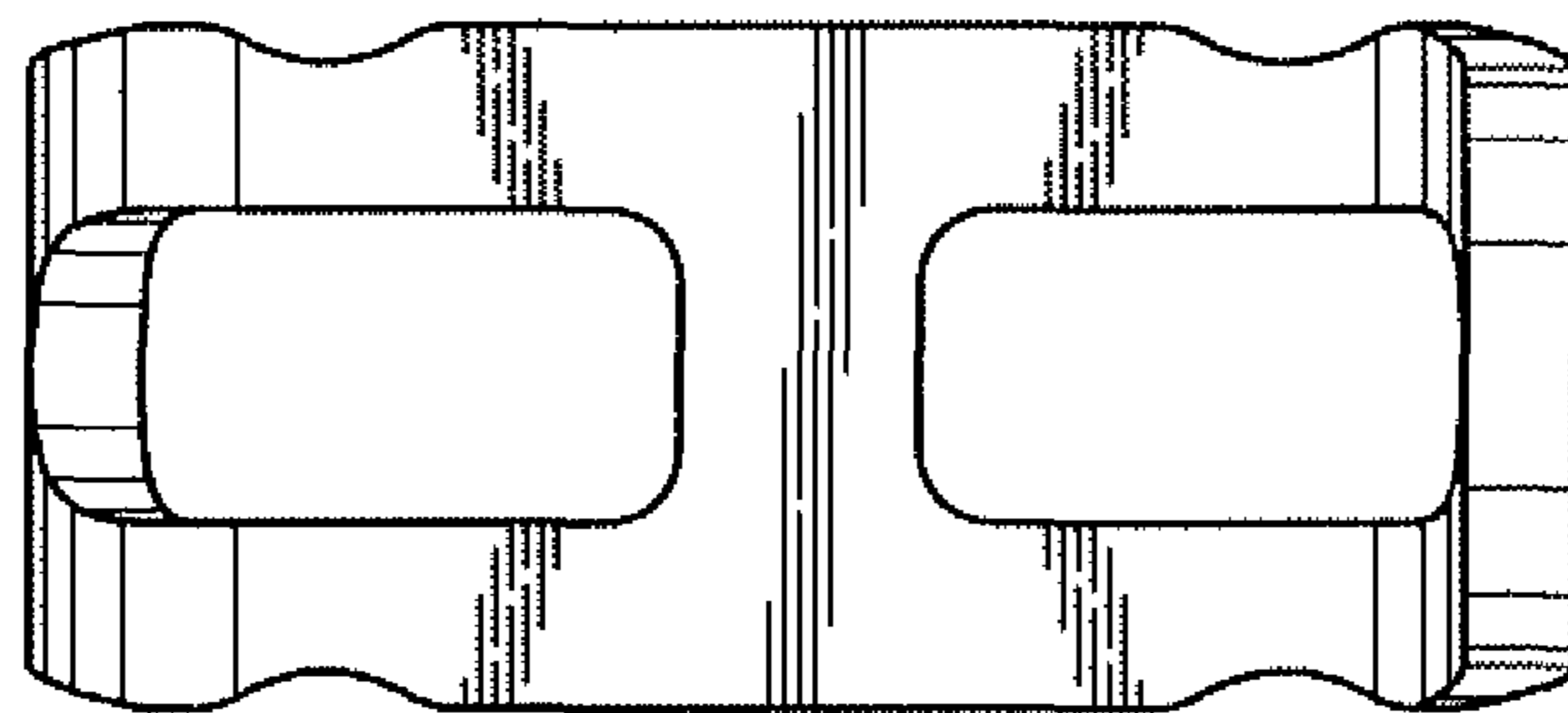


FIG. 4