



US00D625001S

(12) **United States Design Patent**
Richmond

(10) **Patent No.:** **US D625,001 S**

(45) **Date of Patent:** **** *Oct. 5, 2010**

(54) **DISPOSABLE DIAPER WITH CLEANSING WIPES AND AN OPAQUE STORAGE BAG**

(76) Inventor: **Keith Eric Richmond**, 800 Woburn Ct., Vacaville, CA (US) 95688

(*) Notice: This patent is subject to a terminal disclaimer.

(**) Term: **14 Years**

(21) Appl. No.: **29/358,327**

(22) Filed: **Mar. 25, 2010**

Related U.S. Application Data

(63) Continuation of application No. 29/340,862, filed on Jul. 27, 2009, now Pat. No. Des. 615,195.

(51) **LOC (9) Cl.** **24-04**

(52) **U.S. Cl.** **D24/126**

(58) **Field of Classification Search** D24/124, D24/126; 604/358, 385.01, 385.02, 385.06, 604/386, 396

See application file for complete search history.

(56) **References Cited**

U.S. PATENT DOCUMENTS

D284,891	S	*	7/1986	Larko et al.	D24/126
4,643,726	A	*	2/1987	Gegelys	604/368
4,702,378	A		10/1987	Finkel et al.		
4,738,678	A		4/1988	Paulis		
D334,426	S	*	3/1993	Meis	D24/126
D341,027	S		11/1993	Godden et al.		
D343,233	S	*	1/1994	Lanmon et al.	D24/126
D345,604	S	*	3/1994	Silhan	D24/126
D347,279	S	*	5/1994	Perkins	D24/126
5,443,161	A		8/1995	Jonese		
5,569,230	A		10/1996	Fisher et al.		

D380,829	S	*	7/1997	Breault	D24/126
D412,982	S	*	8/1999	Wyatt	D24/126
D431,649	S	*	10/2000	Hunsucker	D24/126
D463,022	S	*	9/2002	Montgomery et al.	D24/125
D463,858	S	*	10/2002	Sherrod et al.	D24/125
D476,741	S	*	7/2003	Childress	D24/126
6,723,080	B1		4/2004	Habib et al.		
D524,440	S	*	7/2006	Enos-Lopez	D24/126
2001/0041878	A1	*	11/2001	Hisanaka	604/385.01
2008/0021428	A1	*	1/2008	Klofta et al.	604/385.01
2009/0030388	A1	*	1/2009	DiCarlo	604/359

* cited by examiner

Primary Examiner—Holly H Baynham
Assistant Examiner—Michelle E Wilson

(57) **CLAIM**

The ornamental design for a disposable diaper with cleansing wipes and an opaque storage bag, as shown and described.

DESCRIPTION

FIG. 1 is a perspective view of a disposable diaper with cleansing wipes and an opaque storage bag showing my new design;

FIG. 2 is a front view thereof;

FIG. 3 is a back view thereof;

FIG. 4 is a top view thereof (bottom view is mirror image);

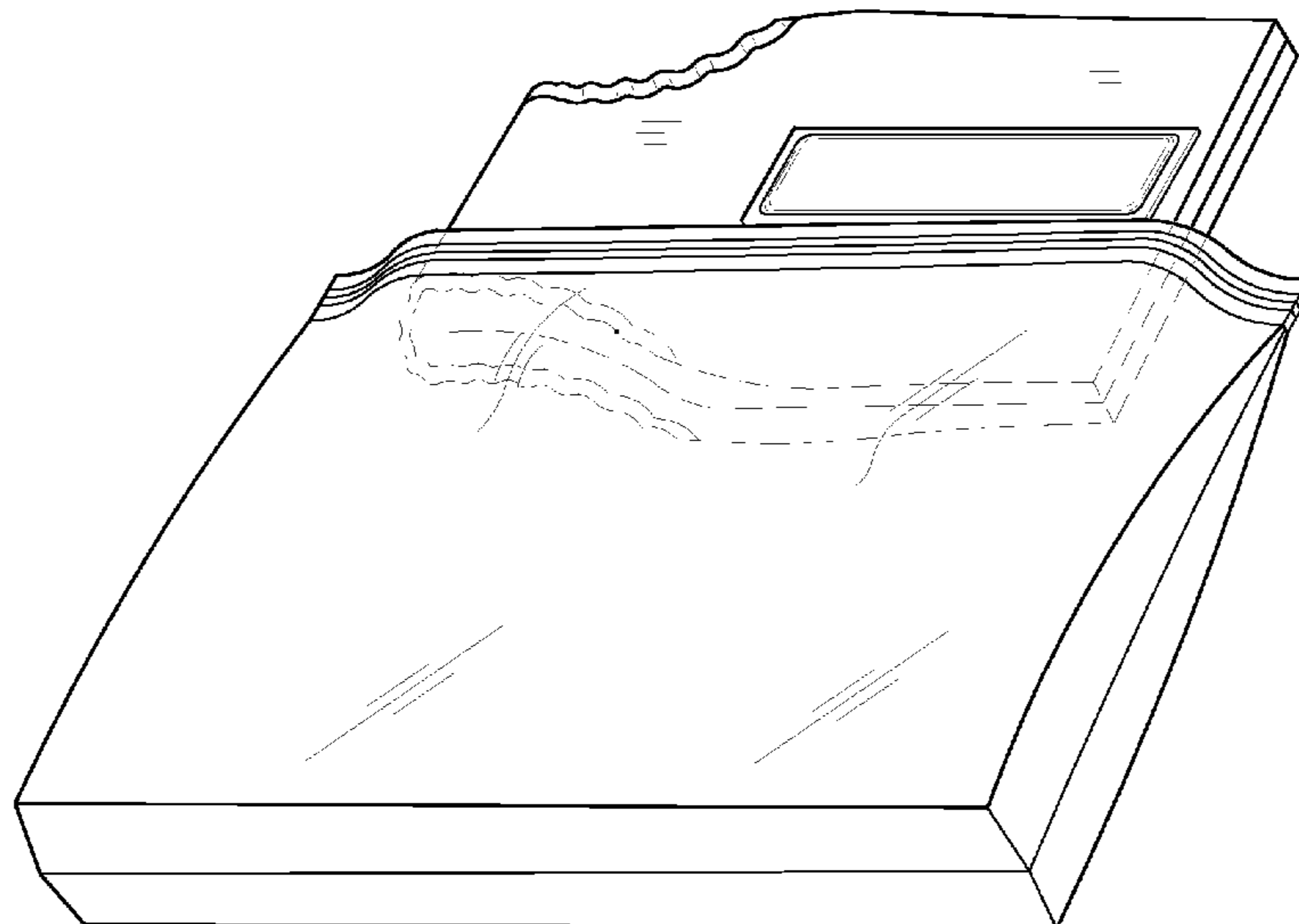
FIG. 5 is a side view thereof;

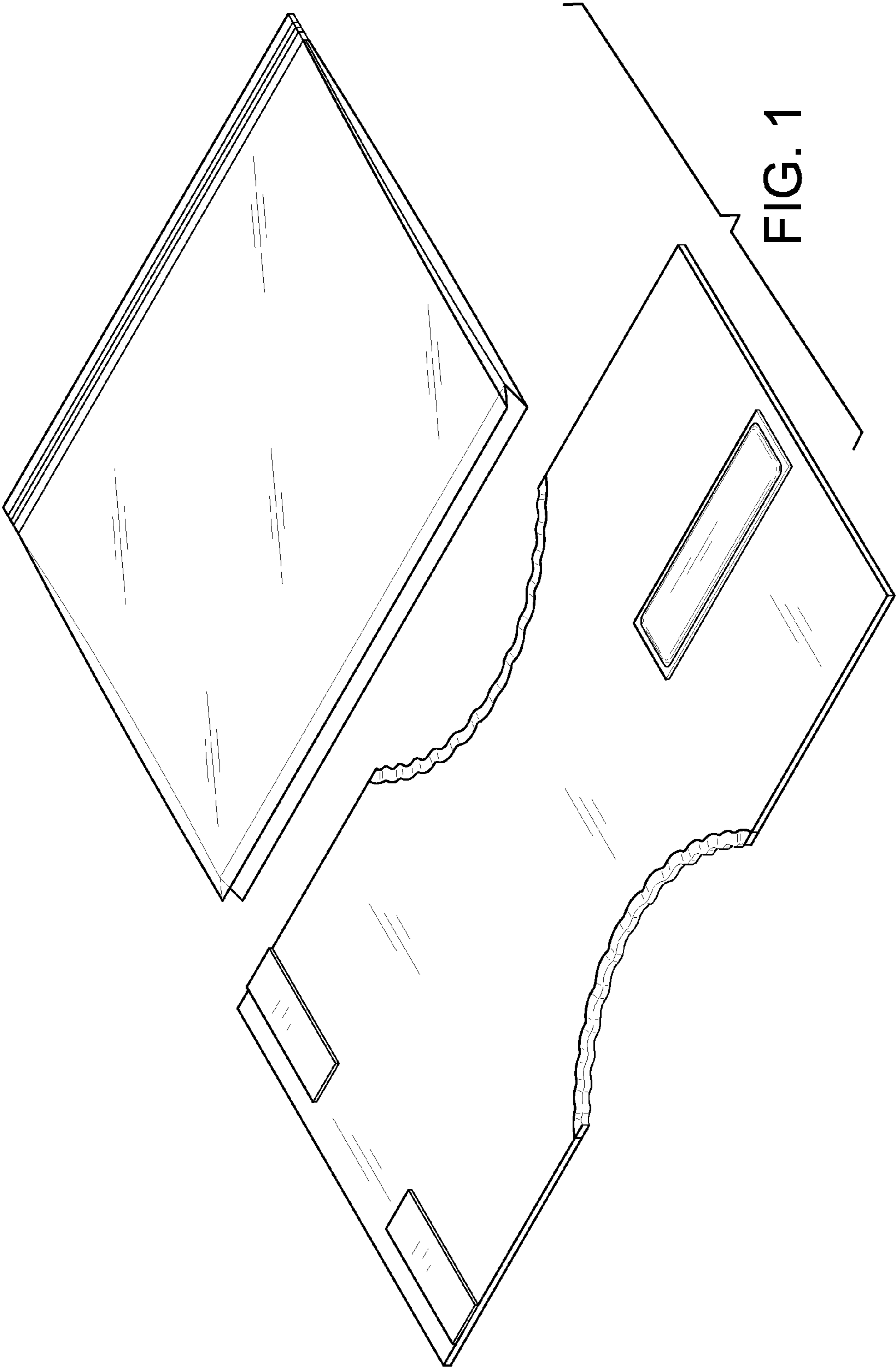
FIG. 6 is an opposite side view thereof;

FIG. 7 is a perspective view of the bag where the disposable diaper with cleansing wipes shown as broken lines are stored in the opaque bag; and,

FIG. 8 is a perspective view of the bag where the disposable diaper with cleansing wipes shown as broken lines are stored in the opaque bag.

1 Claim, 6 Drawing Sheets





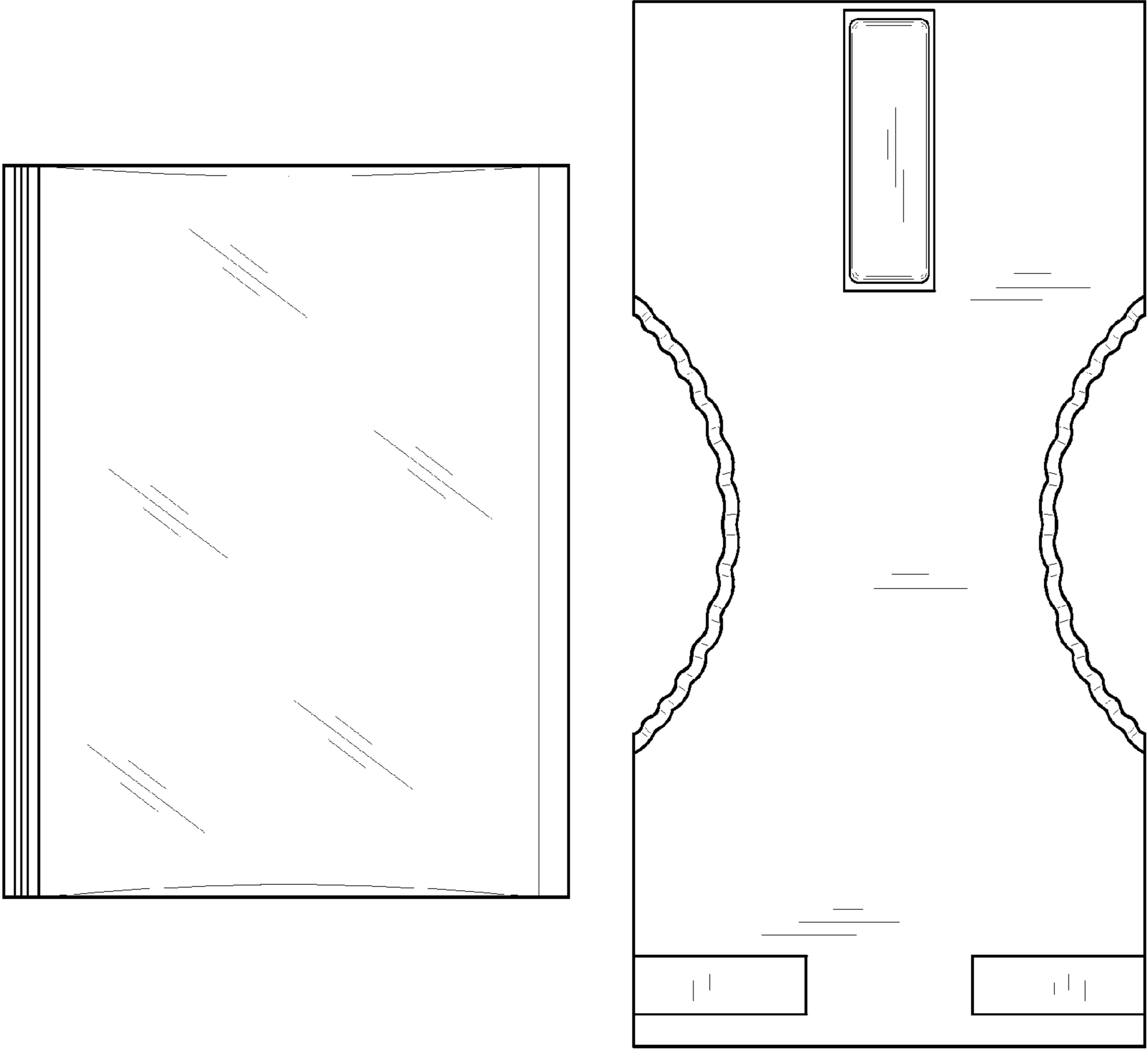


FIG. 2

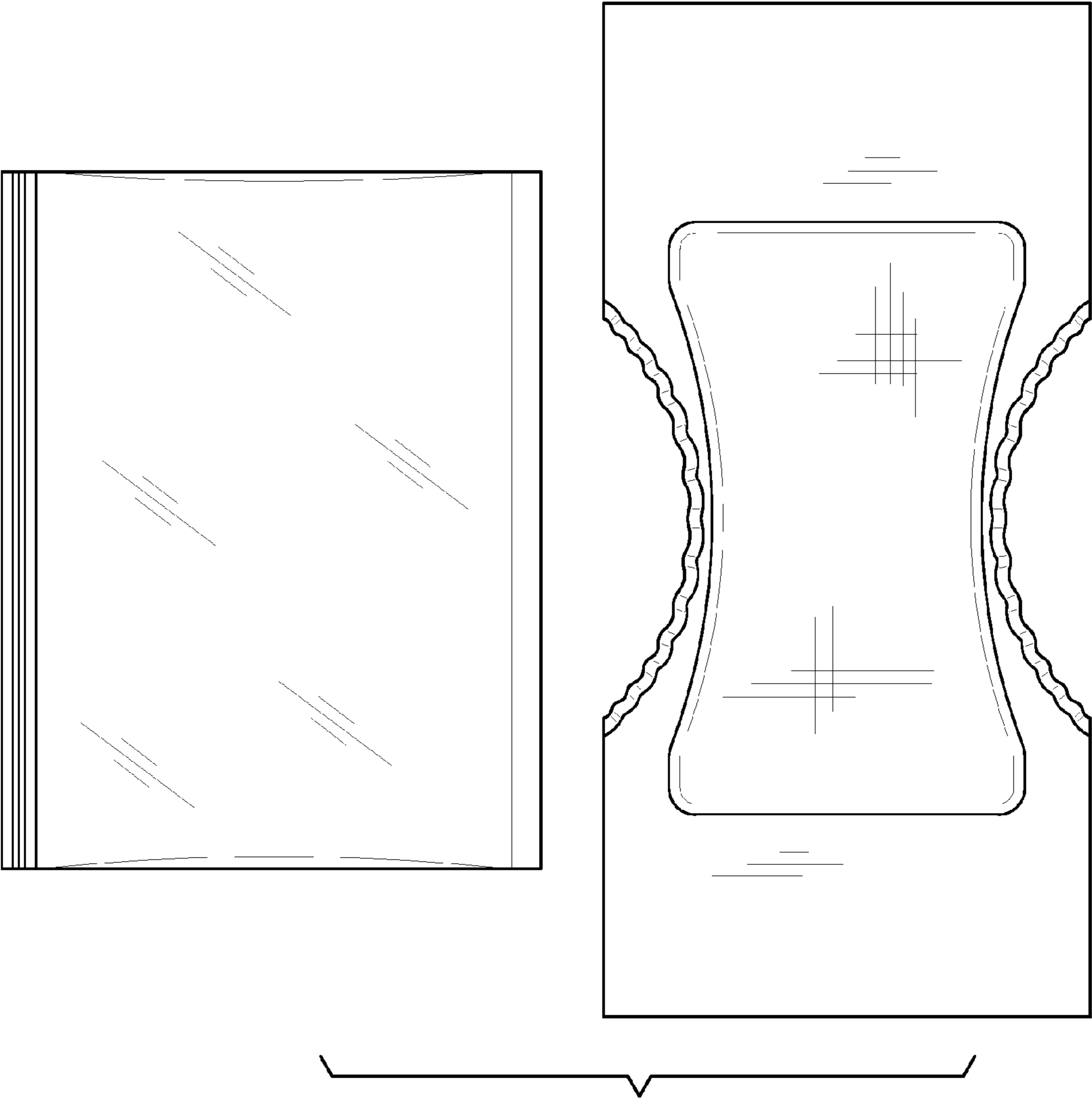
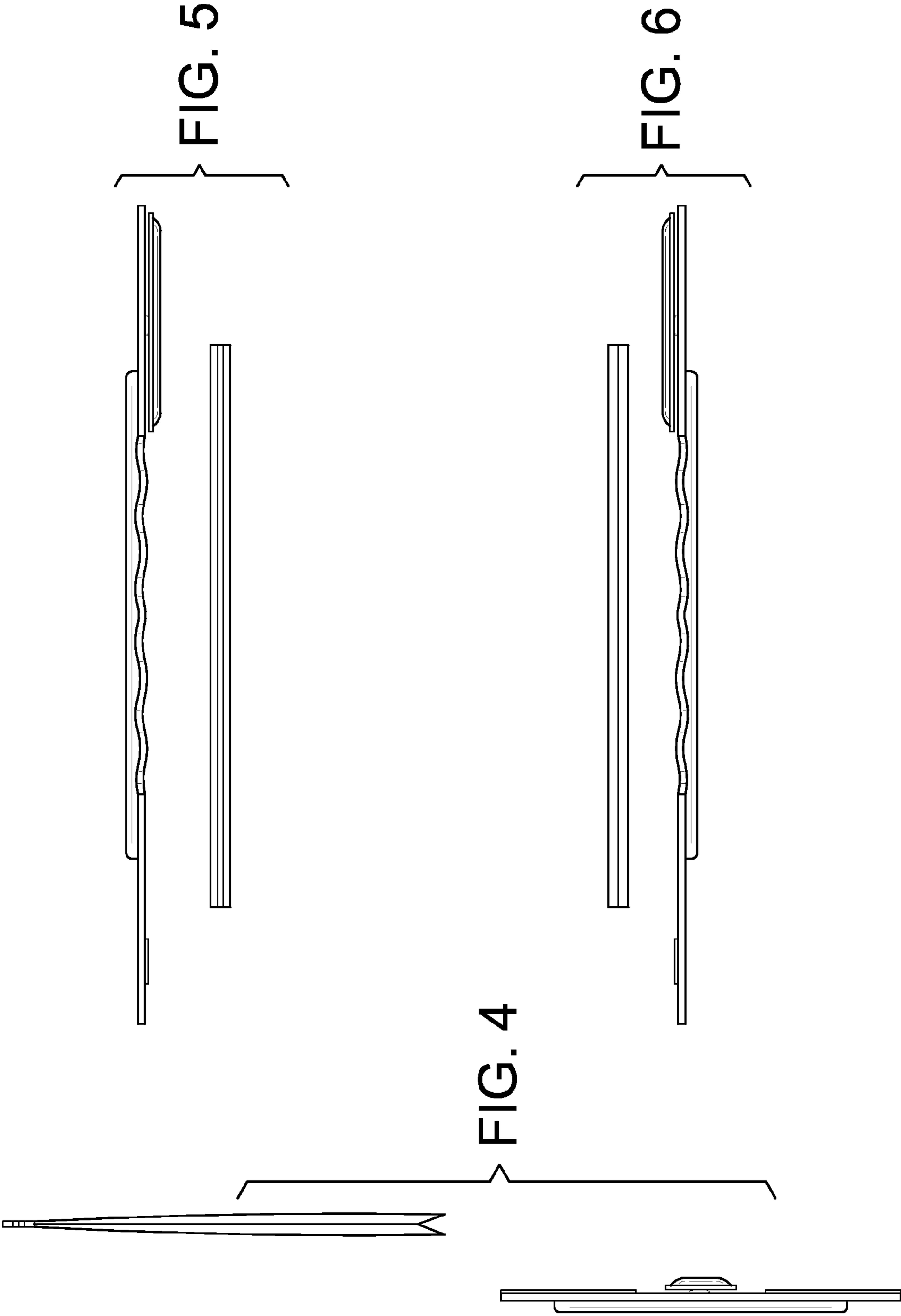


FIG. 3



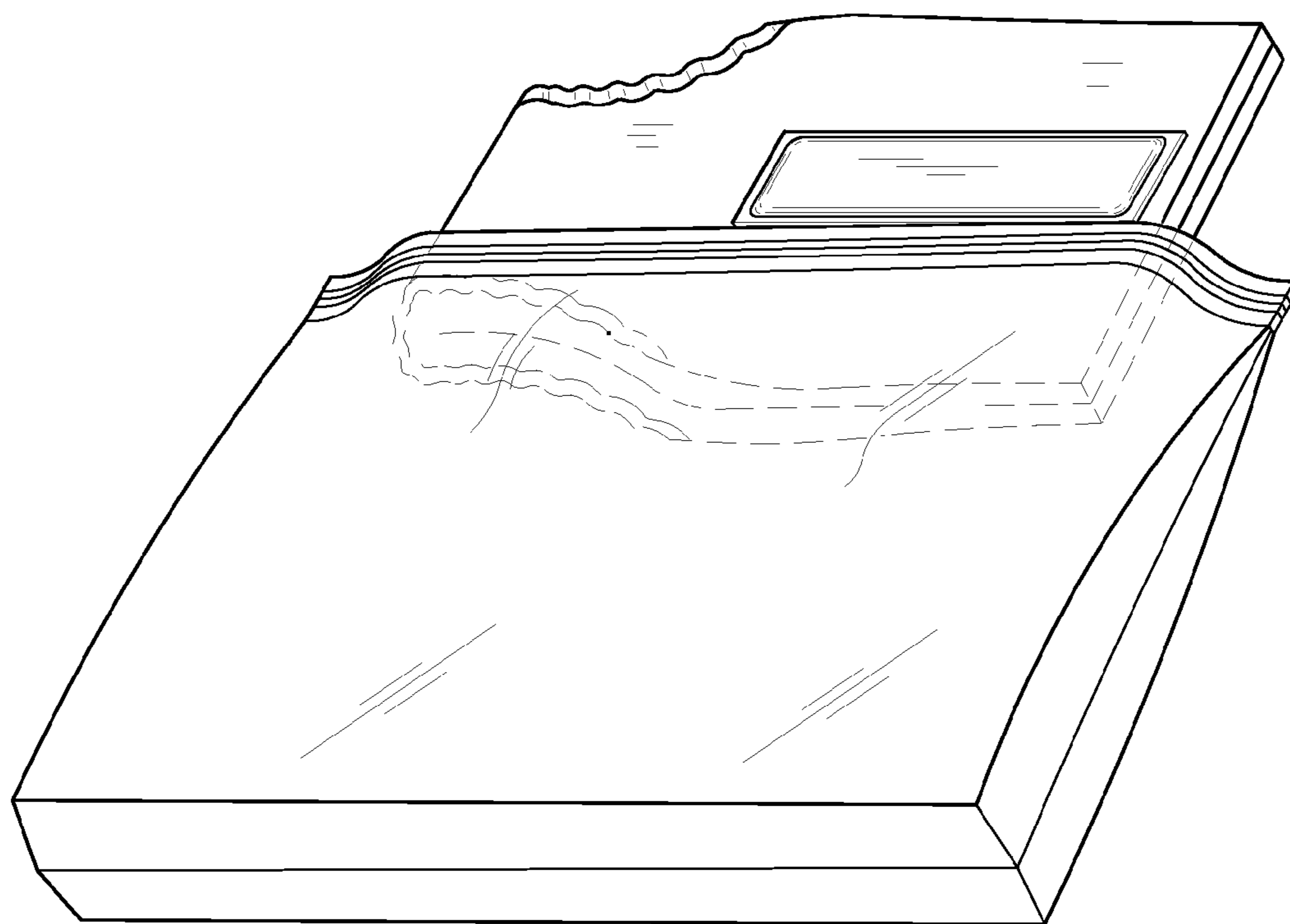


FIG. 7

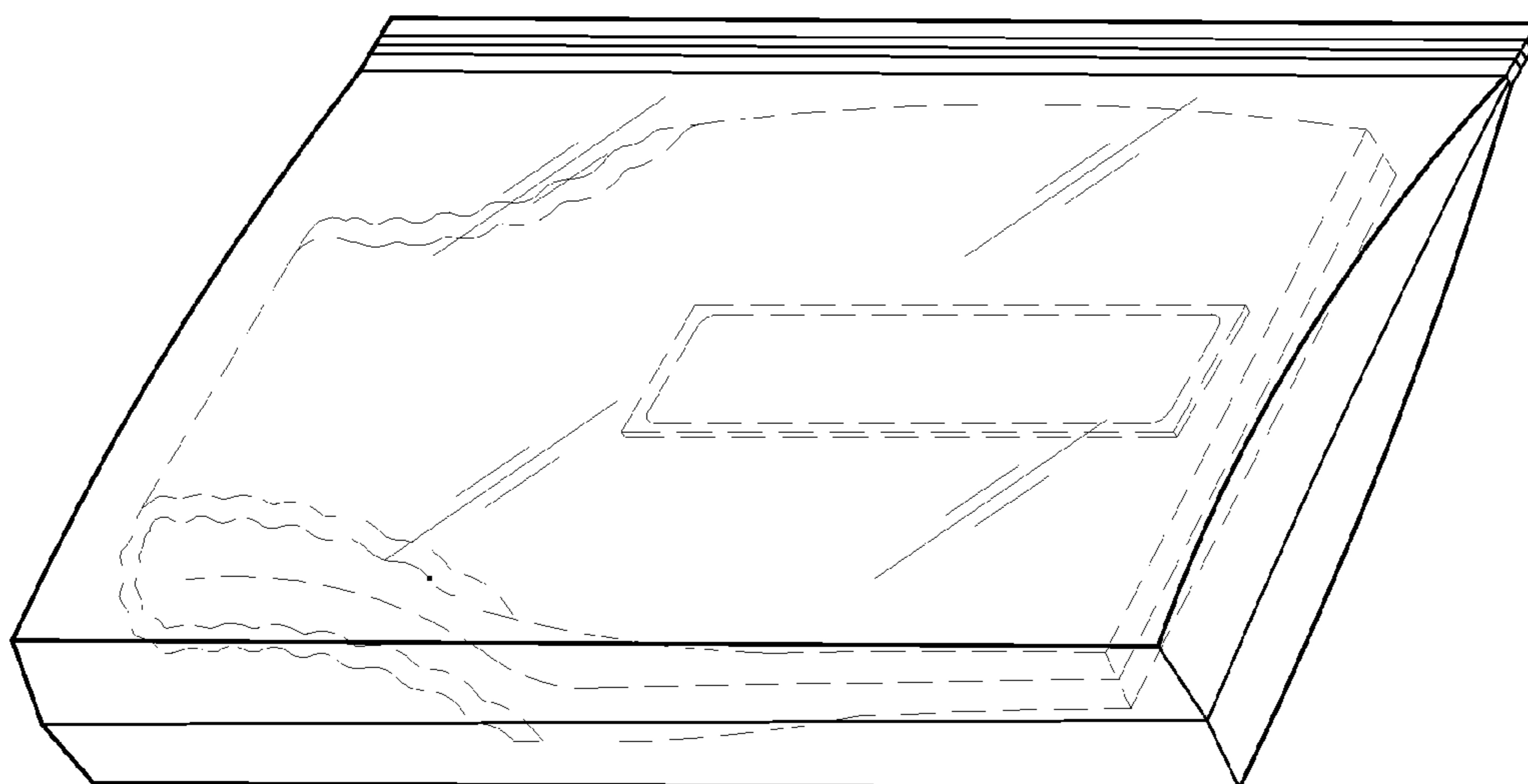


FIG. 8