



US00D625000S

(12) **United States Design Patent**
Stewart

(10) **Patent No.:** **US D625,000 S**

(45) **Date of Patent:** **** Oct. 5, 2010**

(54) **BABY DIAPER**

(76) **Inventor:** **Virginia Stewart**, 4047 N. St. Louis Ave., Basement, Chicago, IL (US) 60618

(**) **Term:** **14 Years**

(21) **Appl. No.:** **29/354,773**

(22) **Filed:** **Jan. 28, 2010**

(51) **LOC (9) Cl.** **24-04**

(52) **U.S. Cl.** **D24/126**

(58) **Field of Classification Search** D24/124,
D24/126; 604/358, 385.1, 385.2, 364, 382,
604/386

See application file for complete search history.

(56) **References Cited**

U.S. PATENT DOCUMENTS

3,089,494	A *	5/1963	Schwartz	604/389
4,037,602	A	7/1977	Hawthorne		
4,753,650	A	6/1988	Williams		
4,850,992	A	7/1989	Amaral et al.		
4,960,477	A *	10/1990	Mesek	156/209
D320,854	S *	10/1991	Jonas	D24/126
5,069,672	A *	12/1991	Wippler et al.	604/385.14
5,137,526	A	8/1992	Coates		

5,261,901	A *	11/1993	Guay	604/391
D343,681	S *	1/1994	Hull	D24/126
5,306,267	A *	4/1994	Hahn et al.	604/378
5,368,585	A *	11/1994	Dokken	604/393
5,370,634	A *	12/1994	Ando et al.	604/385.21
5,944,707	A	8/1999	Ronn		
D436,400	S	1/2001	Kiecker		
7,629,501	B2 *	12/2009	Labit et al.	604/372
D610,255	S *	2/2010	Garner	D24/126
D610,256	S *	2/2010	Garner	D24/126

* cited by examiner

Primary Examiner—Holly H Baynham

Assistant Examiner—Michelle E Wilson

(74) *Attorney, Agent, or Firm*—Lawrence J. Gibney, Jr.

(57) **CLAIM**

The ornamental design for the baby diaper, as shown and described.

DESCRIPTION

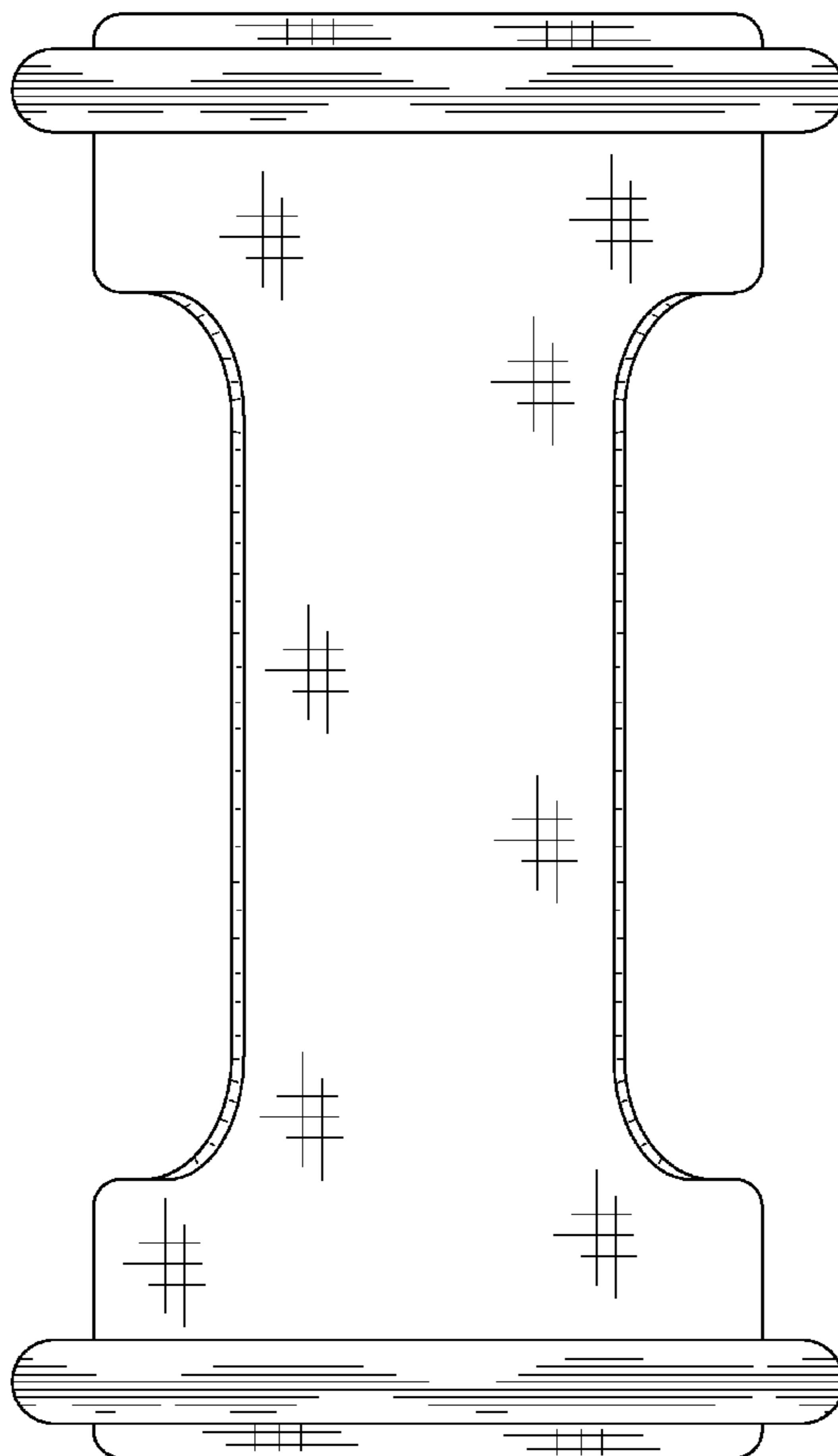
FIG. 1 is a top view of my new design for a baby diaper;

FIG. 2 is a bottom view thereof;

FIG. 3 is a side view thereof; and,

FIG. 4 is a front view thereof.

1 Claim, 3 Drawing Sheets



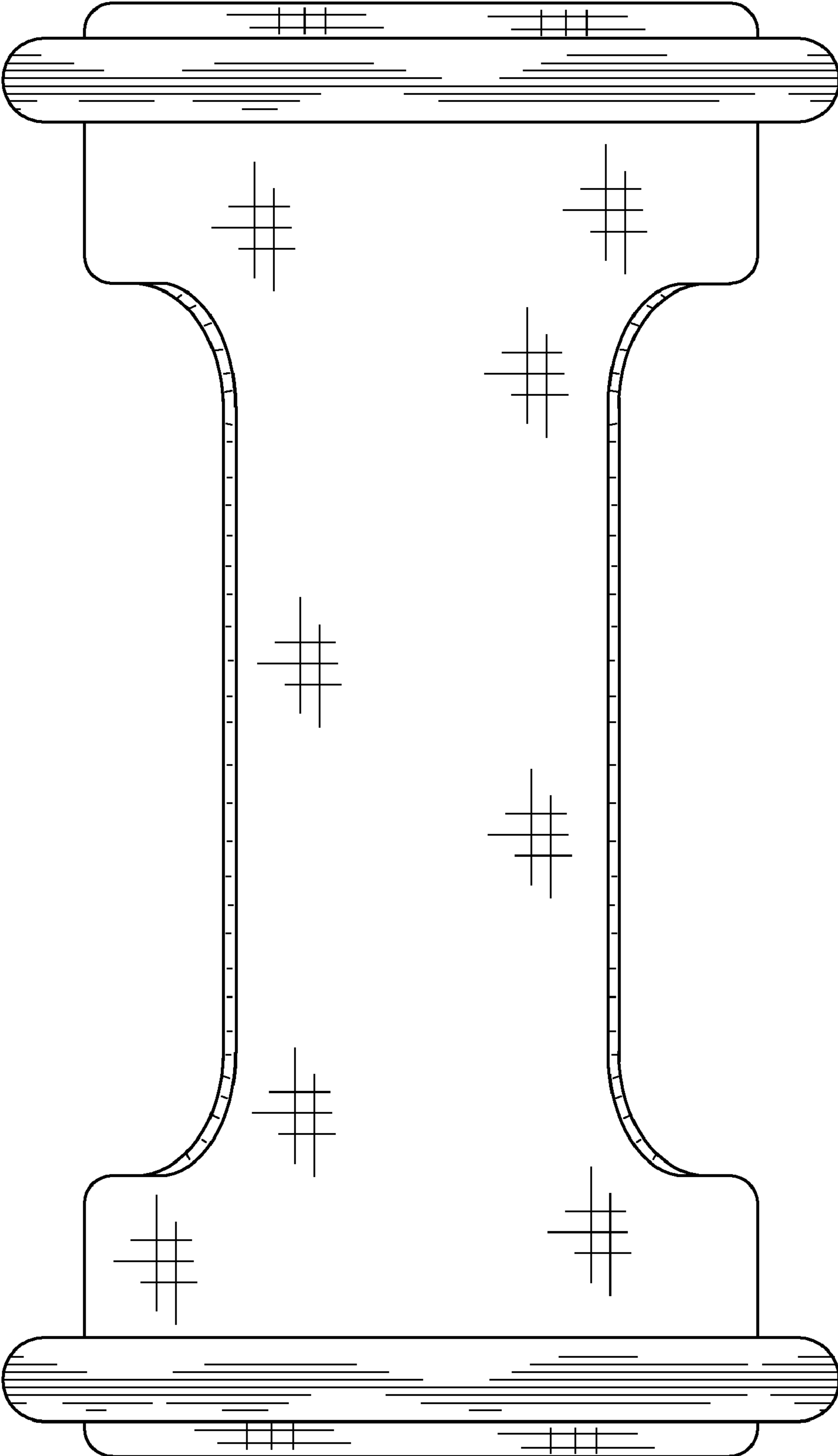


FIG. 1

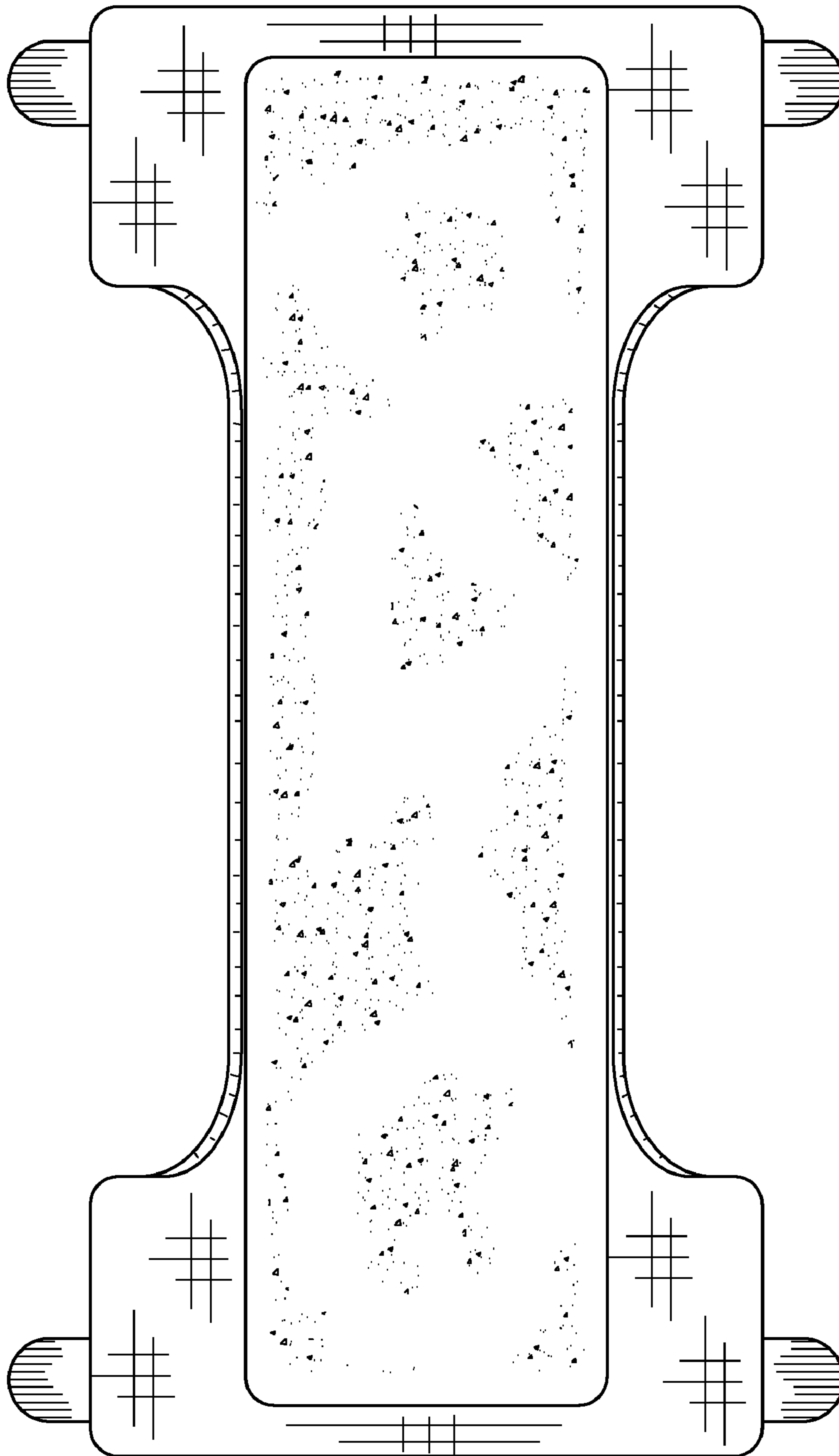


FIG. 2

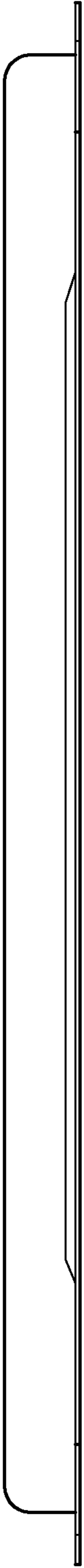


FIG. 3



FIG. 4