



US00D624998S

(12) **United States Design Patent**  
**Kilcher et al.**

(10) **Patent No.:** **US D624,998 S**  
(45) **Date of Patent:** **\*\* Oct. 5, 2010**

(54) **DENTAL DAM**

(75) Inventors: **Beat Kilcher**, Bosco Luganese (CH);  
**Marco Da Rold**, Odogno (CH); **Felix**  
**Aschmann**, Basel (CH)

(73) Assignee: **KerrHawe SA**, Bioggio (CH)

(\*\*) Term: **14 Years**

(21) Appl. No.: **29/354,351**

(22) Filed: **Jan. 22, 2010**

**Related U.S. Application Data**

(60) Division of application No. 29/333,292, filed on Mar. 5, 2009, now Pat. No. Des. 611,592, and a continuation of application No. 10/393,119, filed on Mar. 20, 2003, now abandoned.

(51) **LOC (9) Cl.** ..... **28-01**

(52) **U.S. Cl.** ..... **D24/105**

(58) **Field of Classification Search** ..... D24/105;  
600/38, 41; 128/842, 844; D29/108  
See application file for complete search history.

(56) **References Cited**

**U.S. PATENT DOCUMENTS**

174,942 A	3/1876	Brown	
741,890 A	10/1903	Craigie	
4,512,742 A	4/1985	Shanel	
4,695,253 A	9/1987	Tysse	
4,721,465 A *	1/1988	Barasz	..... 433/137
5,011,409 A	4/1991	Gray	
5,078,604 A	1/1992	Malmin	
5,499,917 A	3/1996	Erickson et al.	

5,931,673 A	8/1999	Bolbolan	
6,135,770 A	10/2000	Bembenek et al.	
D459,470 S	6/2002	James	
D488,356 S *	4/2004	Wiest	..... D7/603
D523,552 S	6/2006	Nordahl et al.	
D526,854 S	8/2006	Driscoll	
7,121,281 B2	10/2006	Tsugawa	
D579,539 S	10/2008	Osterberg	
D611,592 S *	3/2010	Kilcher et al.	..... D24/105
2003/0190584 A1	10/2003	Heasley	
2005/0076918 A1	4/2005	Tsugawa	

**FOREIGN PATENT DOCUMENTS**

WO 98/34559 A1 8/1998

\* cited by examiner

*Primary Examiner*—Elizabeth A Albert

*Assistant Examiner*—Kelley A Donnelly

(74) *Attorney, Agent, or Firm*—Wood, Herron & Evans, LLP

(57) **CLAIM**

The ornamental design for the dental dam, as shown and described.

**DESCRIPTION**

FIG. 1 is a perspective view of our new dental dam design;

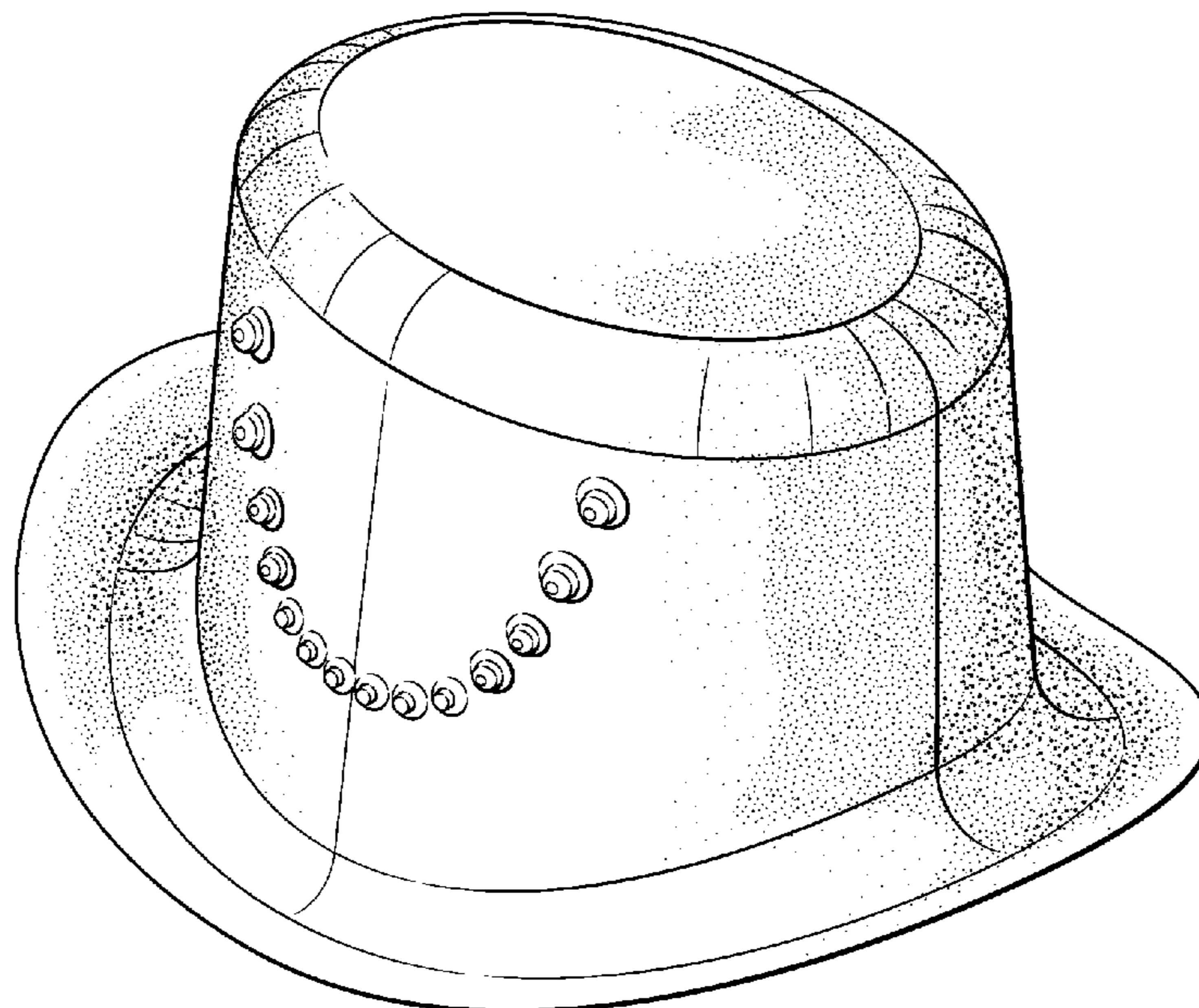
FIG. 2 is a top plan view thereof;

FIG. 3 is a bottom plan view thereof;

FIG. 4 is a front elevation view thereof; the rear elevation view being a mirror image; and,

FIG. 5 is a right side elevation view thereof; the left side elevation view being a mirror image.

**1 Claim, 3 Drawing Sheets**



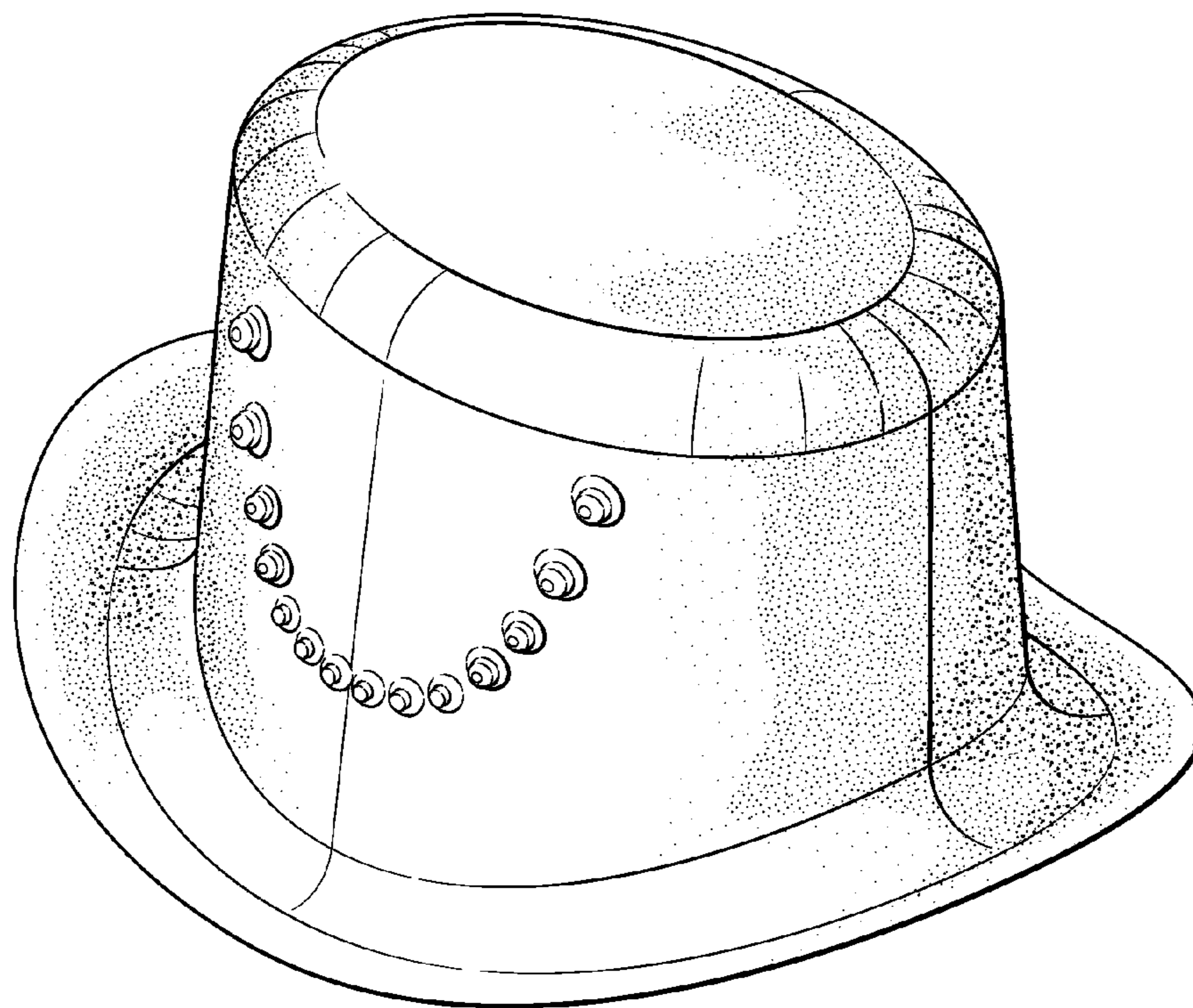


FIG. 1

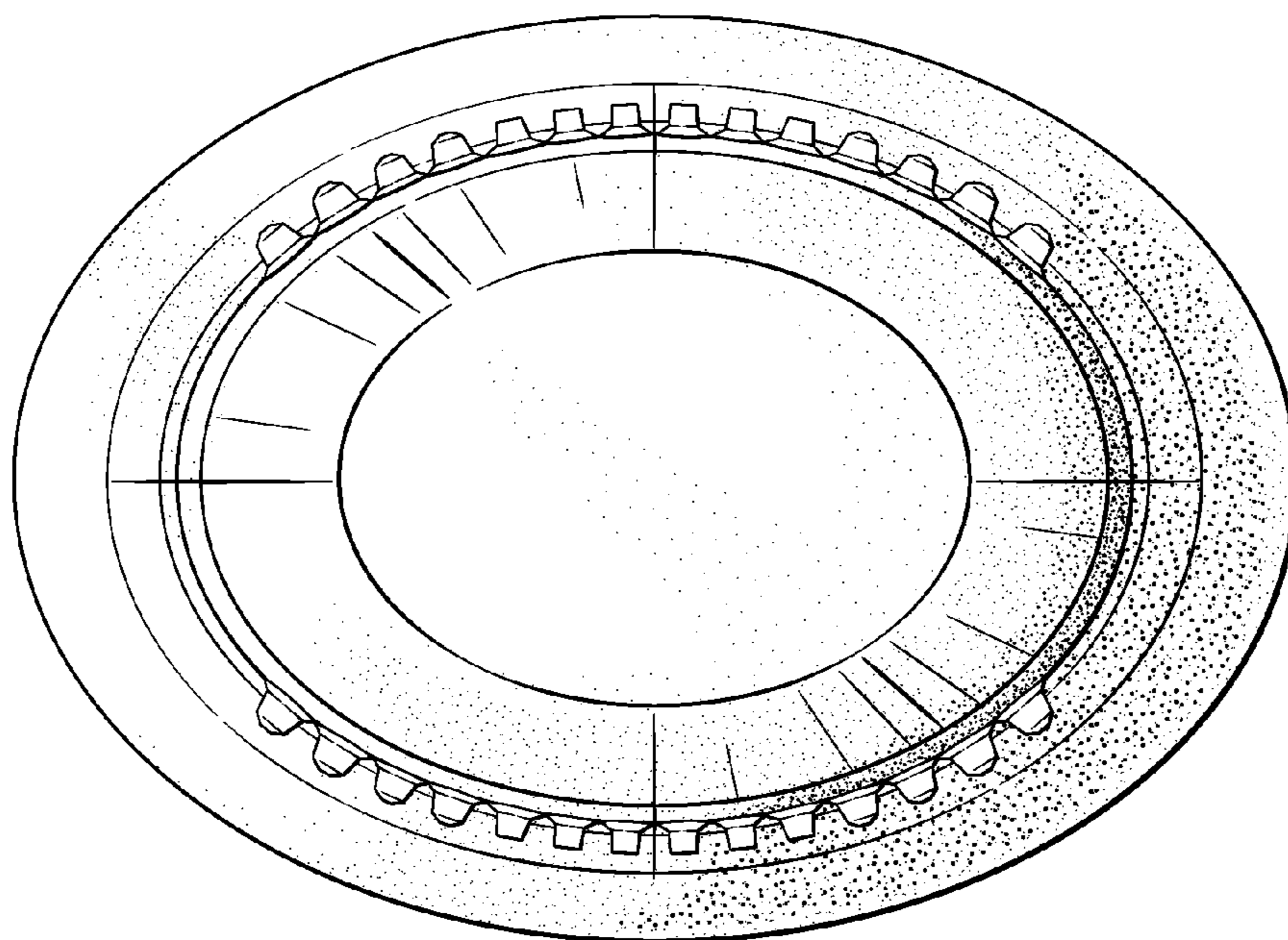


FIG. 2

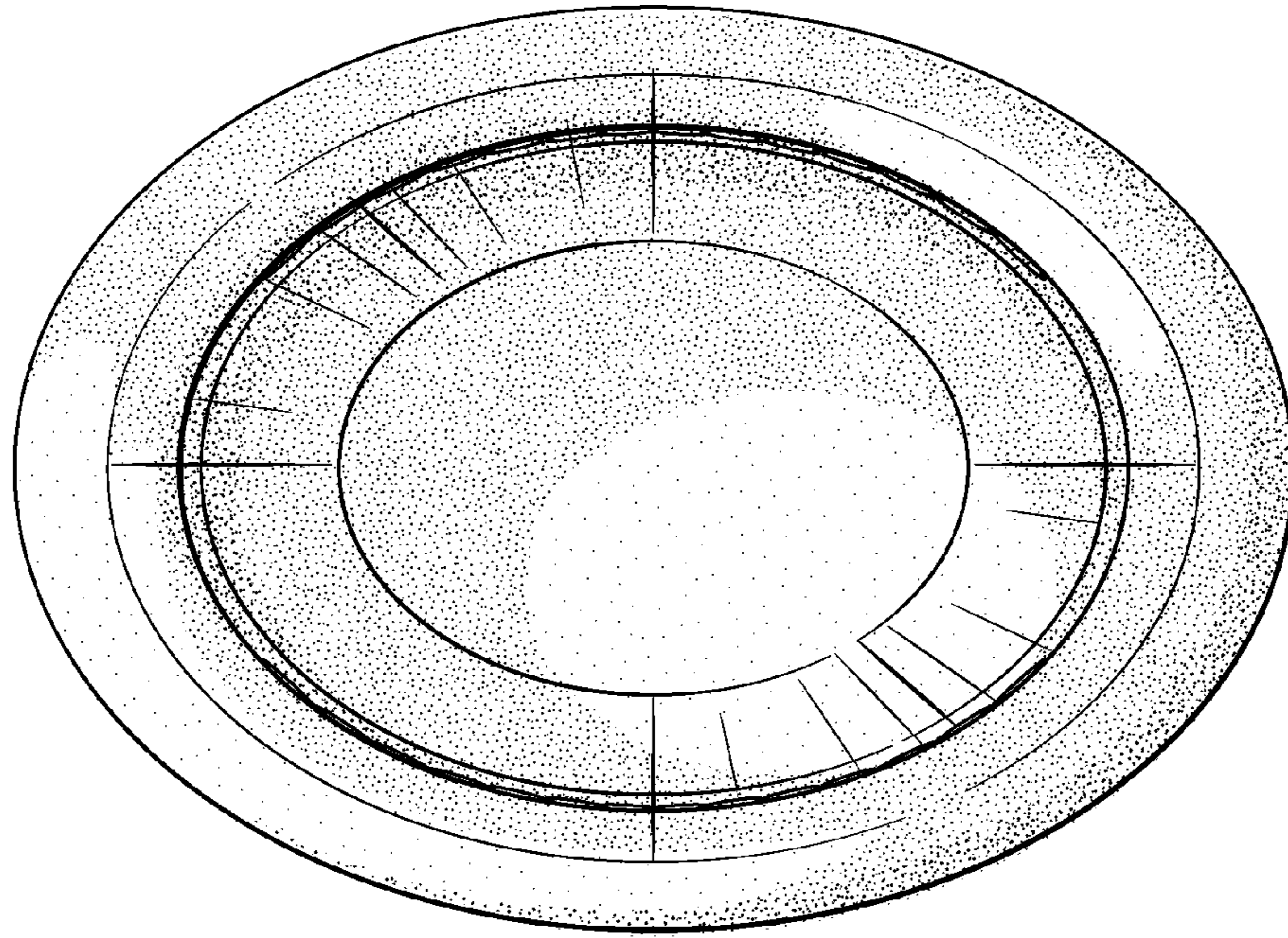


FIG. 3

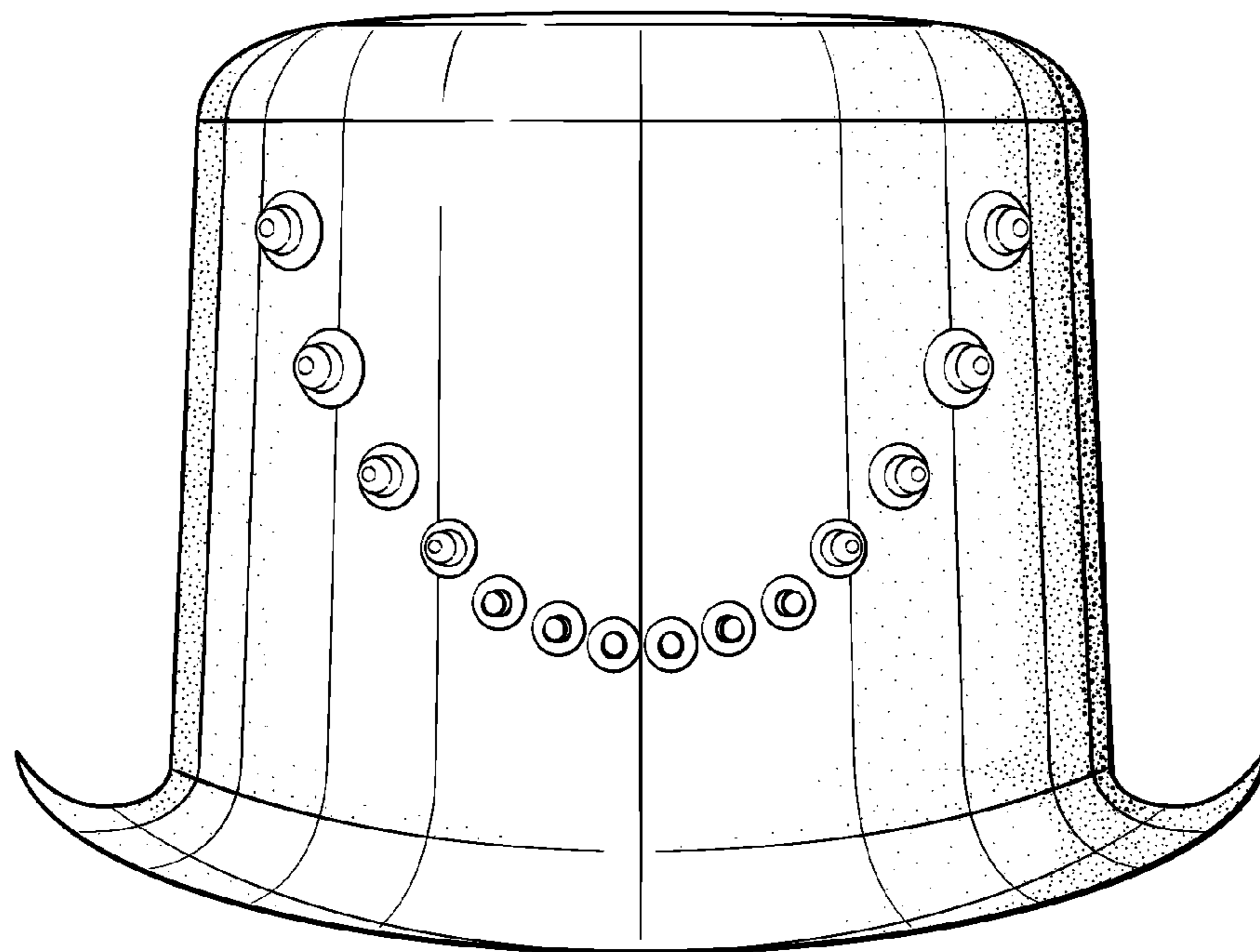


FIG. 4

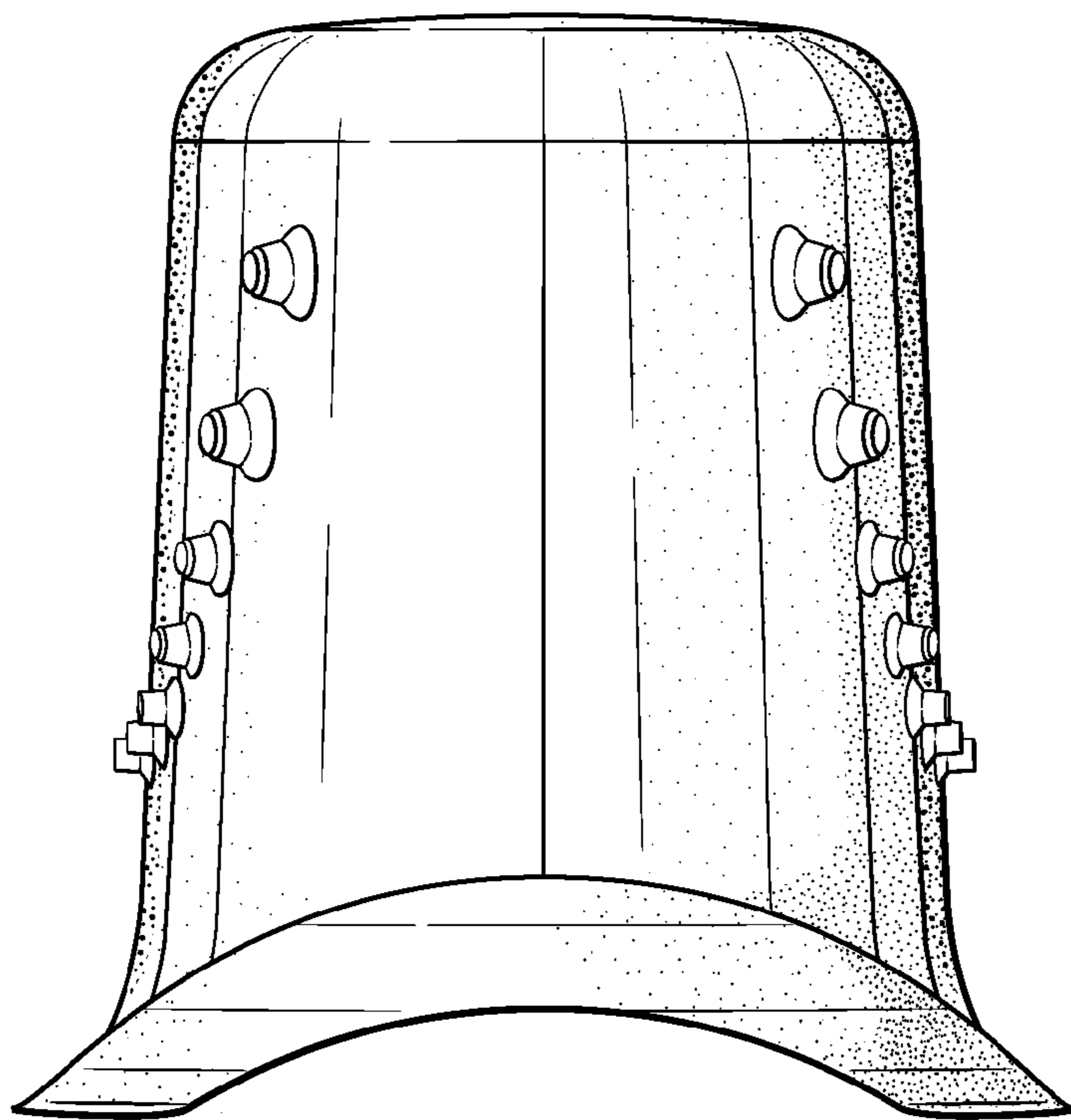


FIG. 5