



US00D624996S

(12) **United States Design Patent**  
**Schönherr et al.**

(10) **Patent No.:** **US D624,996 S**

(45) **Date of Patent:** **\*\* Oct. 5, 2010**

(54) **TOILET BASE**

(75) Inventors: **Tom Schönherr**, Stuttgart (DE);  
**Andreas Haug**, Stuttgart (DE); **Andreas**  
**Dimitriadis**, Stuttgart (DE); **Peter**  
**Kolin**, Stuttgart (DE); **Maïke**  
**Kirschbaum**, Stuttgart (DE)

(73) Assignee: **Keramik Holding AG Laufen**, Laufen  
(CH)

(\*\*) Term: **14 Years**

(21) Appl. No.: **29/326,463**

(22) Filed: **Oct. 17, 2008**

(30) **Foreign Application Priority Data**

Apr. 18, 2008 (CH) ..... 2008-00376

(51) **LOC (9) Cl.** ..... **23-02**

(52) **U.S. Cl.** ..... **D23/300**

(58) **Field of Classification Search** ..... D23/273-274,  
D23/295-301, 309; 4/663-664, 300, 329,  
4/353, 420, 443, 449, 902

See application file for complete search history.

(56) **References Cited**

U.S. PATENT DOCUMENTS

D531,288 S \* 10/2006 Soulier ..... D23/295  
D594,943 S \* 6/2009 Starck ..... D23/301

\* cited by examiner

*Primary Examiner*—Robert A Delehanty

(74) *Attorney, Agent, or Firm*—Brinks Hofer Gilson & Lione

(57) **CLAIM**

The ornamental design for a toilet base, as shown and described.

**DESCRIPTION**

FIG. 1 is a perspective view of the claimed design;

FIG. 2 is a top view of the claimed design;

FIG. 3 is a bottom view of the claimed design;

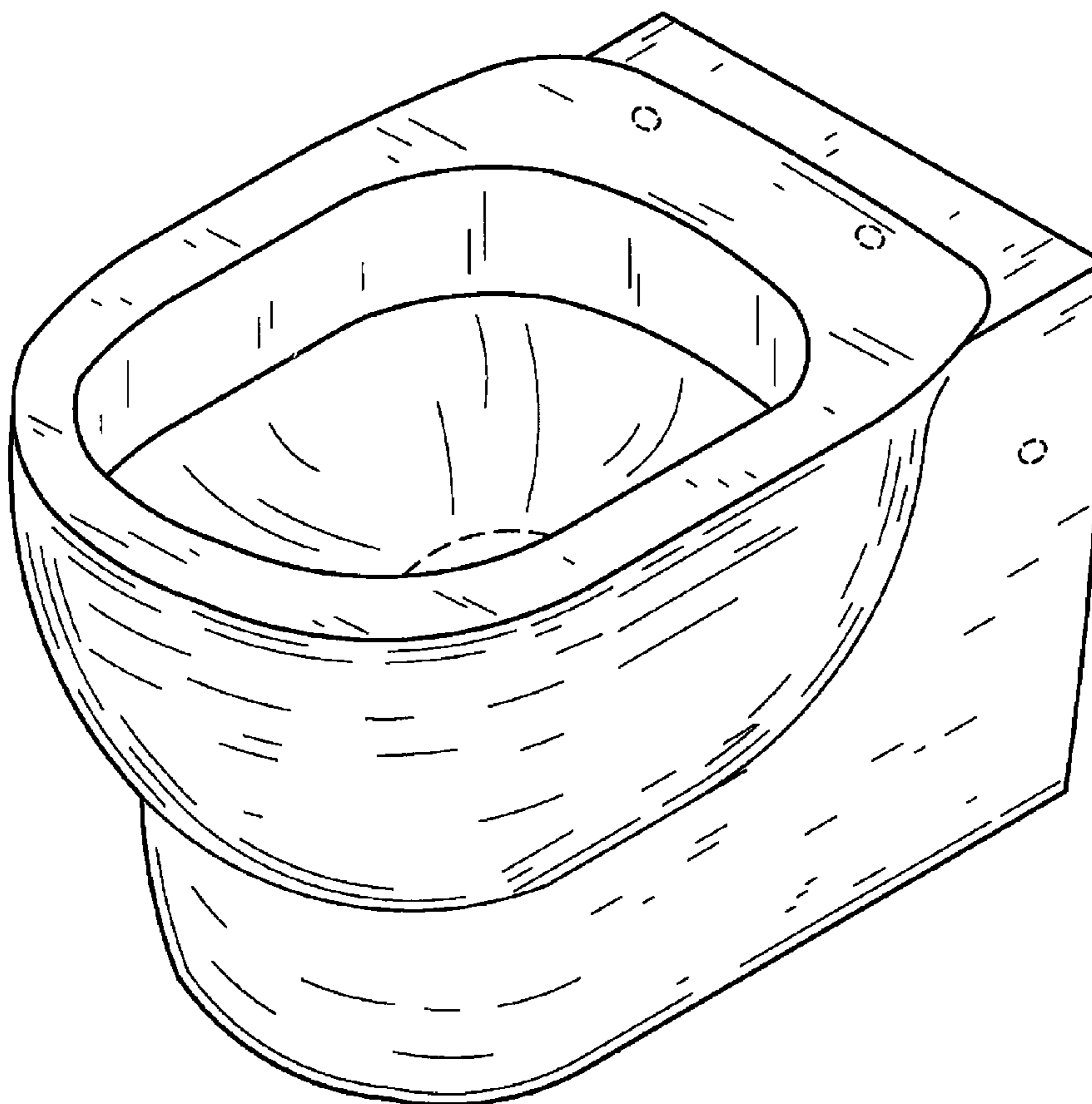
FIG. 4 is a right side view of the claimed design;

FIG. 5 is a left side view of the claimed design;

FIG. 6 is a front side view of the claimed design; and,

FIG. 7 is a back side view of the claimed design.

**1 Claim, 4 Drawing Sheets**



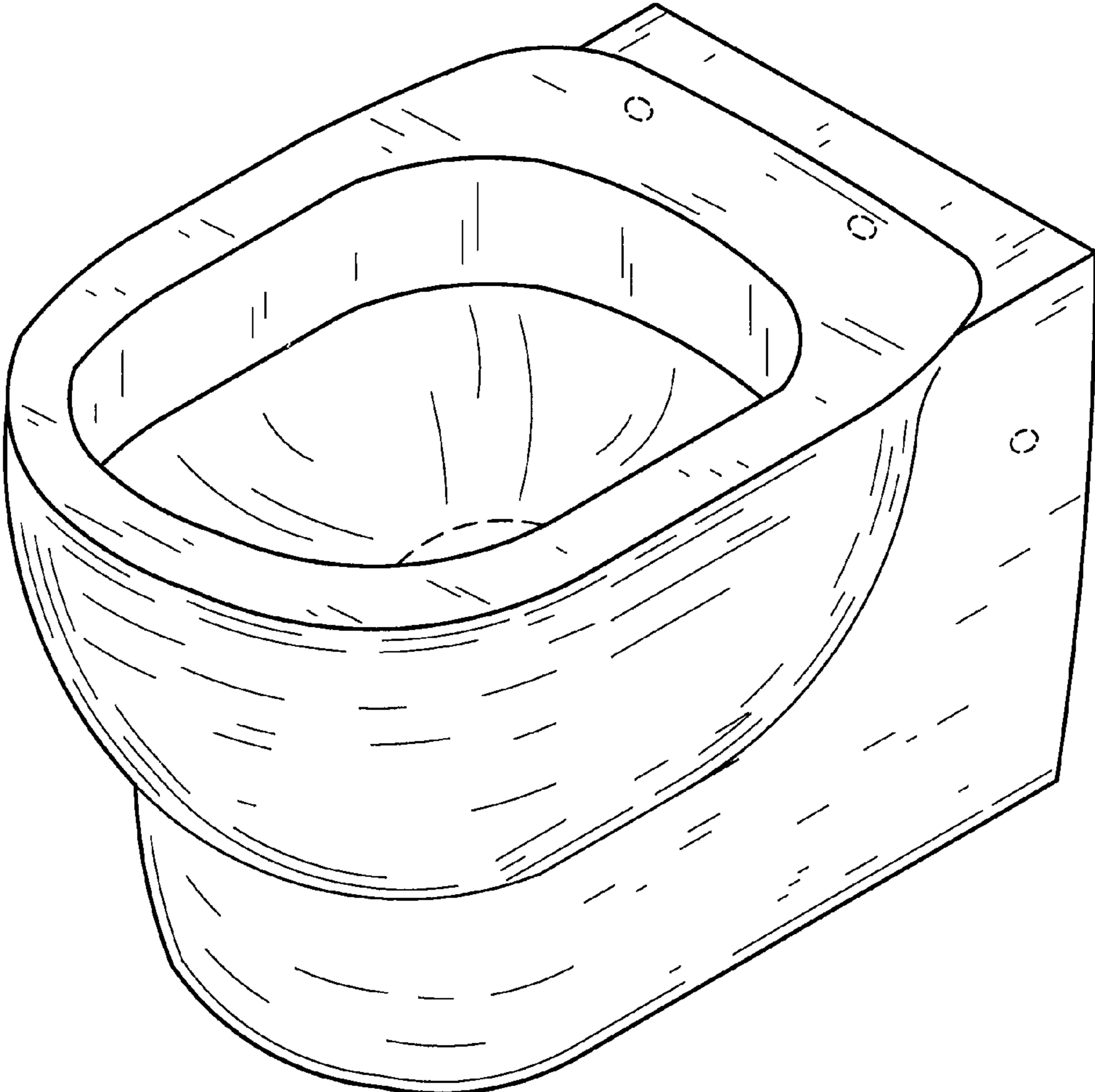


FIG. 1

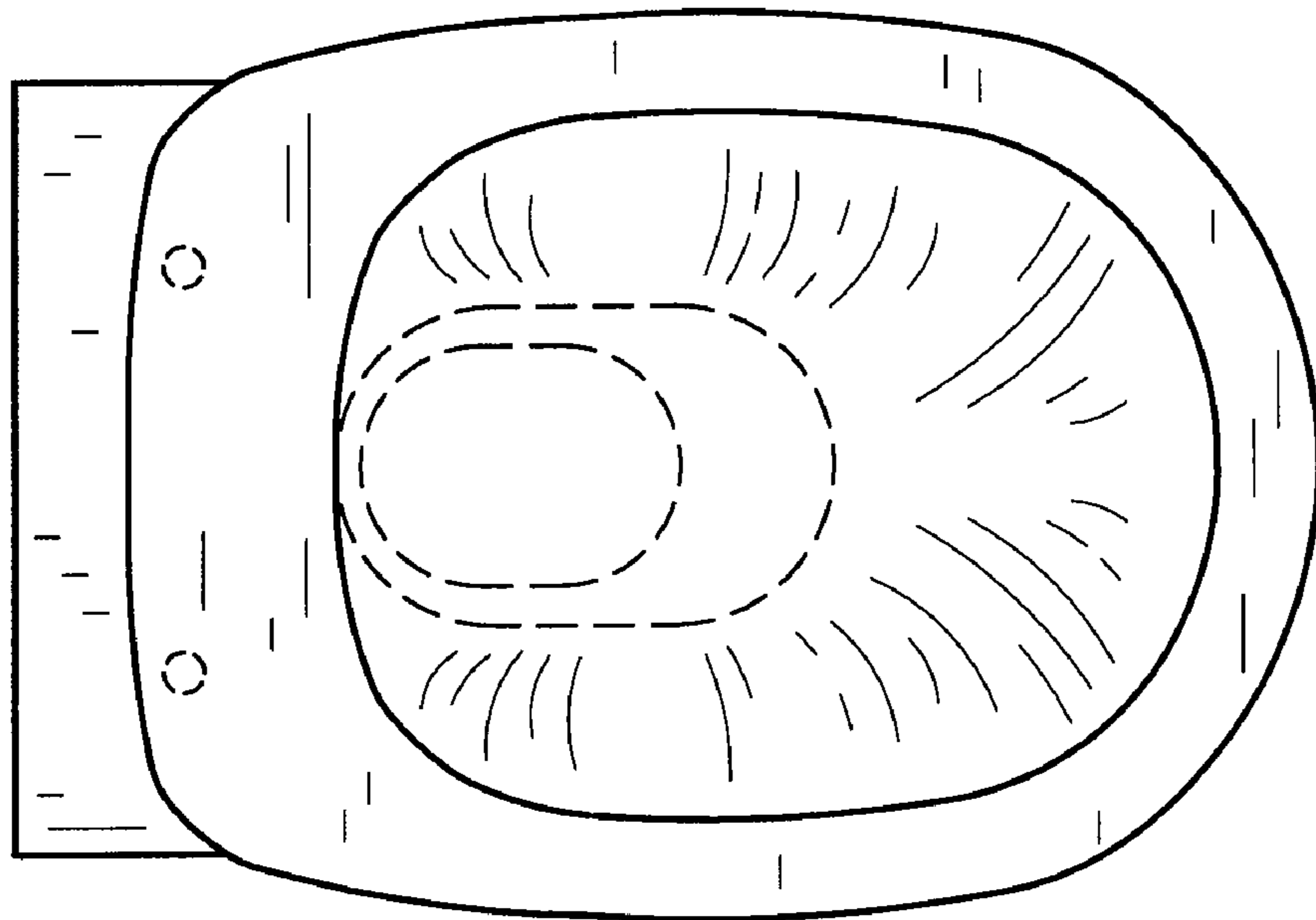


FIG. 2

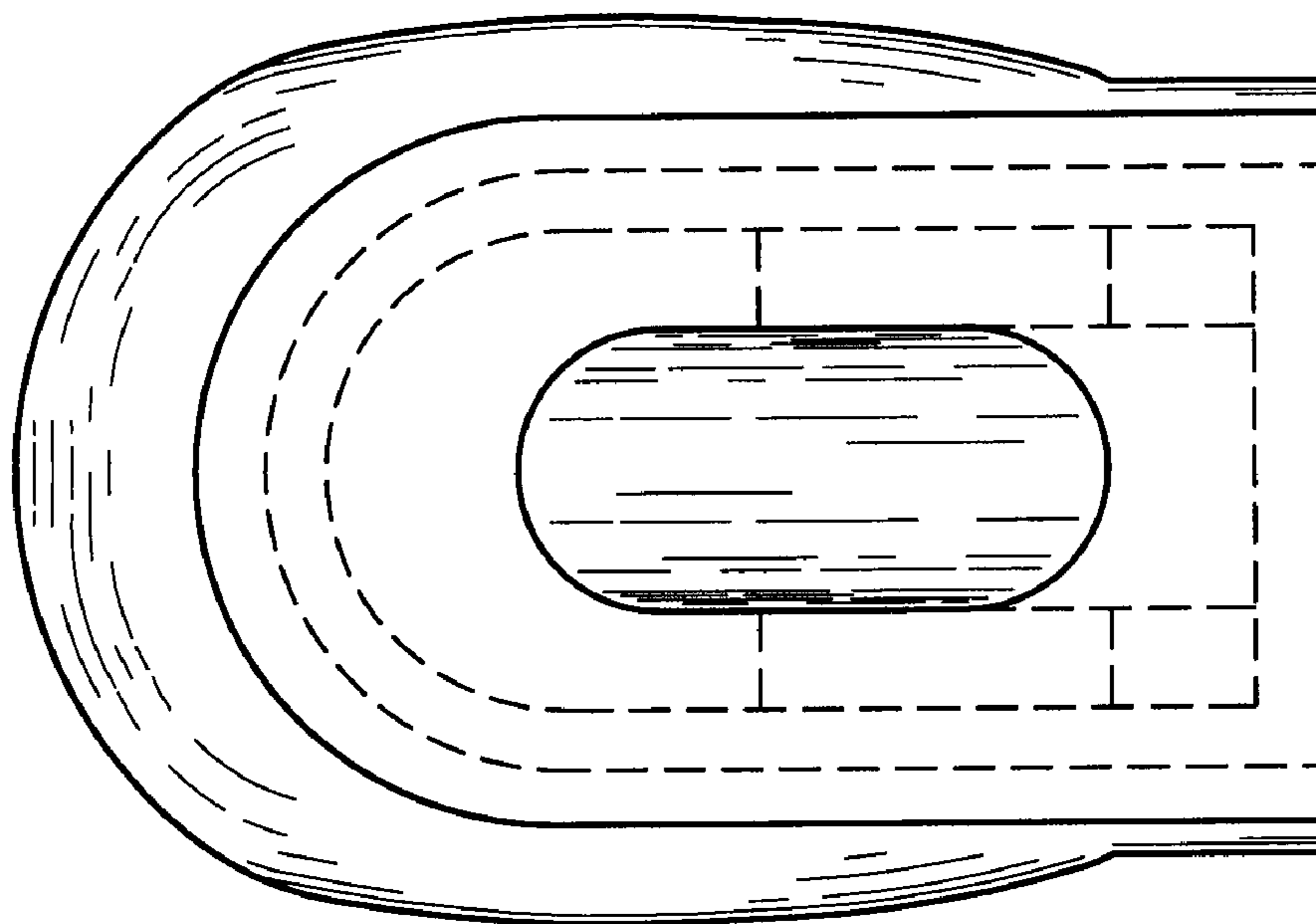


FIG. 3

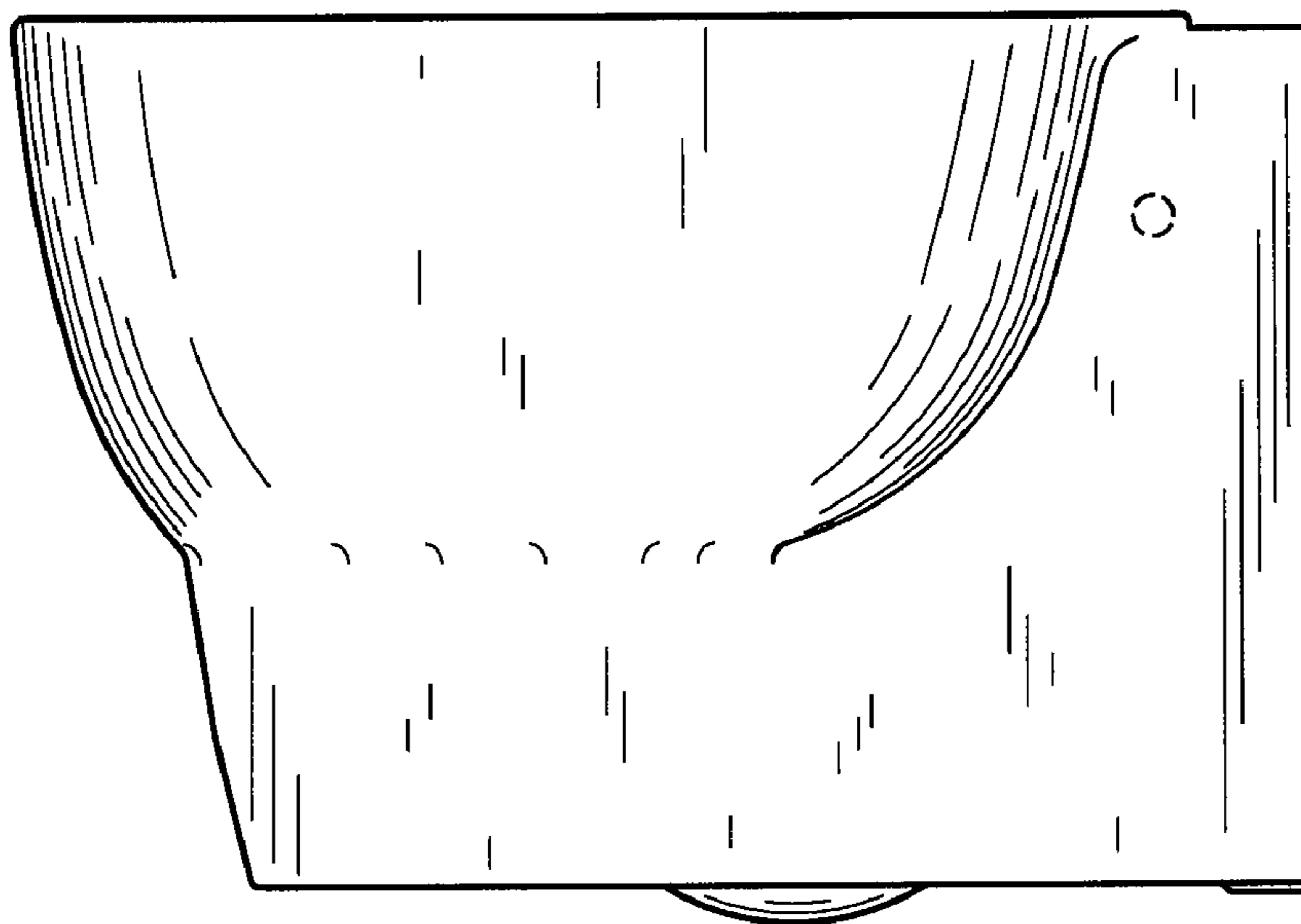


FIG. 4

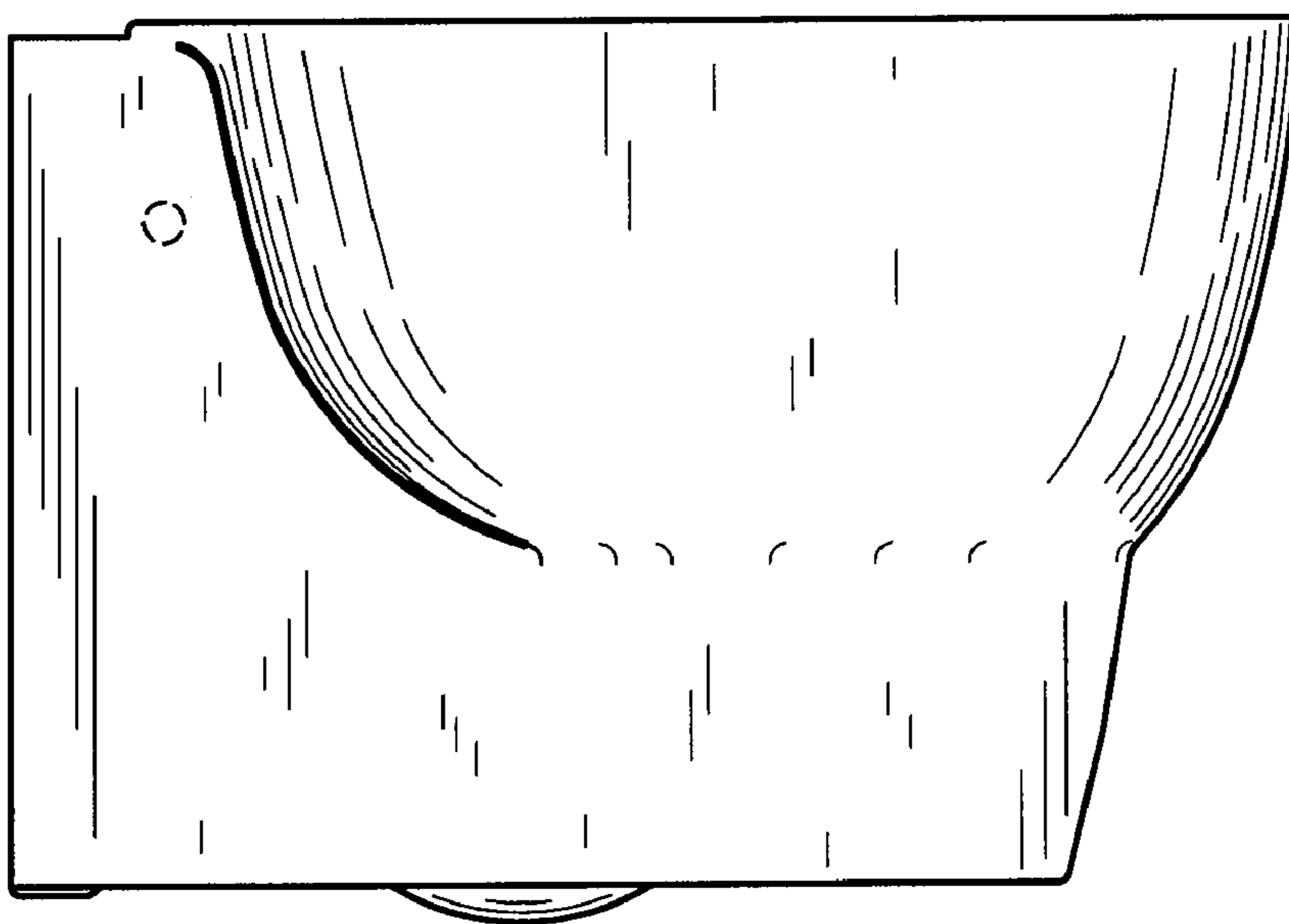


FIG. 5

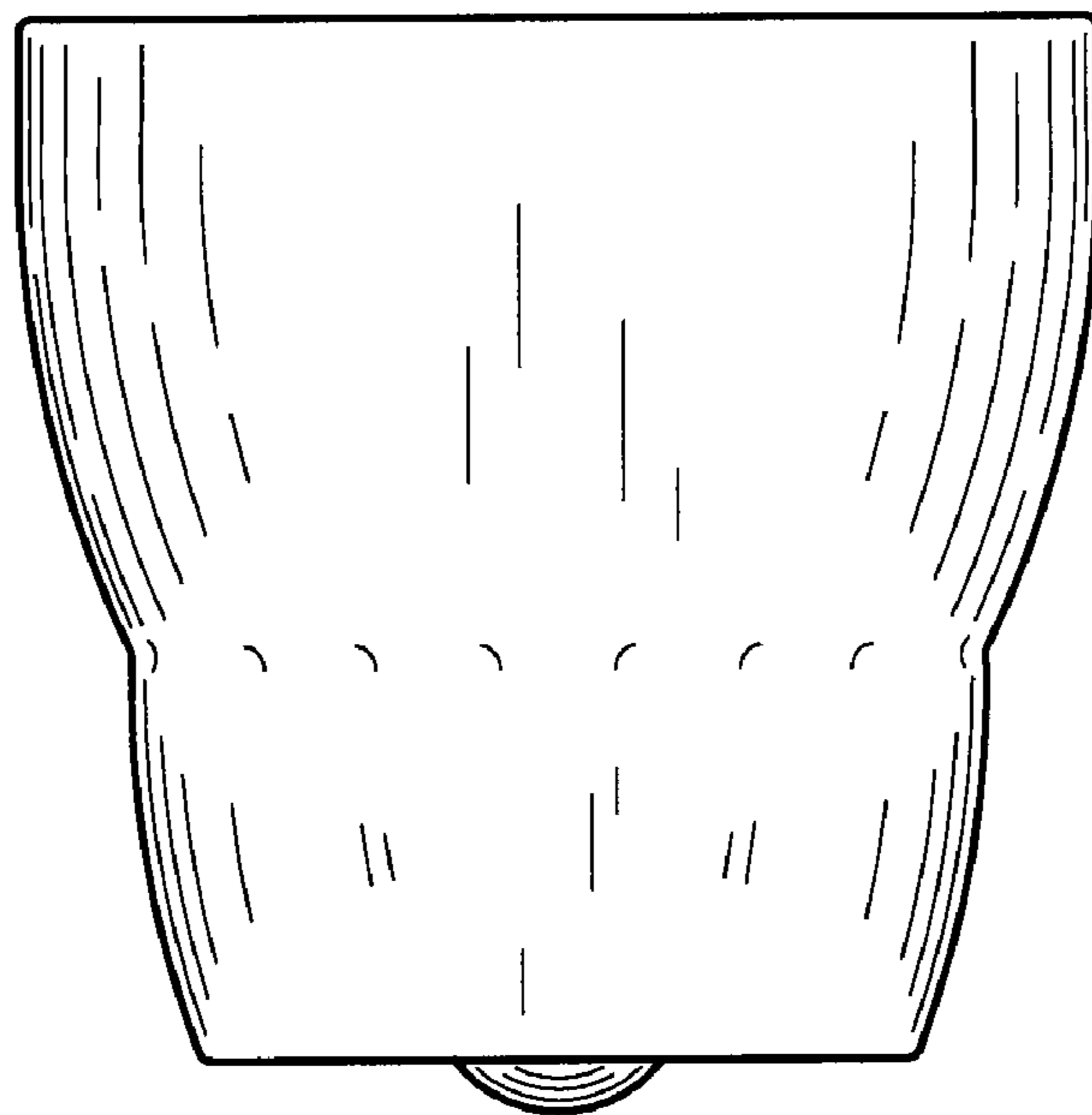


FIG. 6

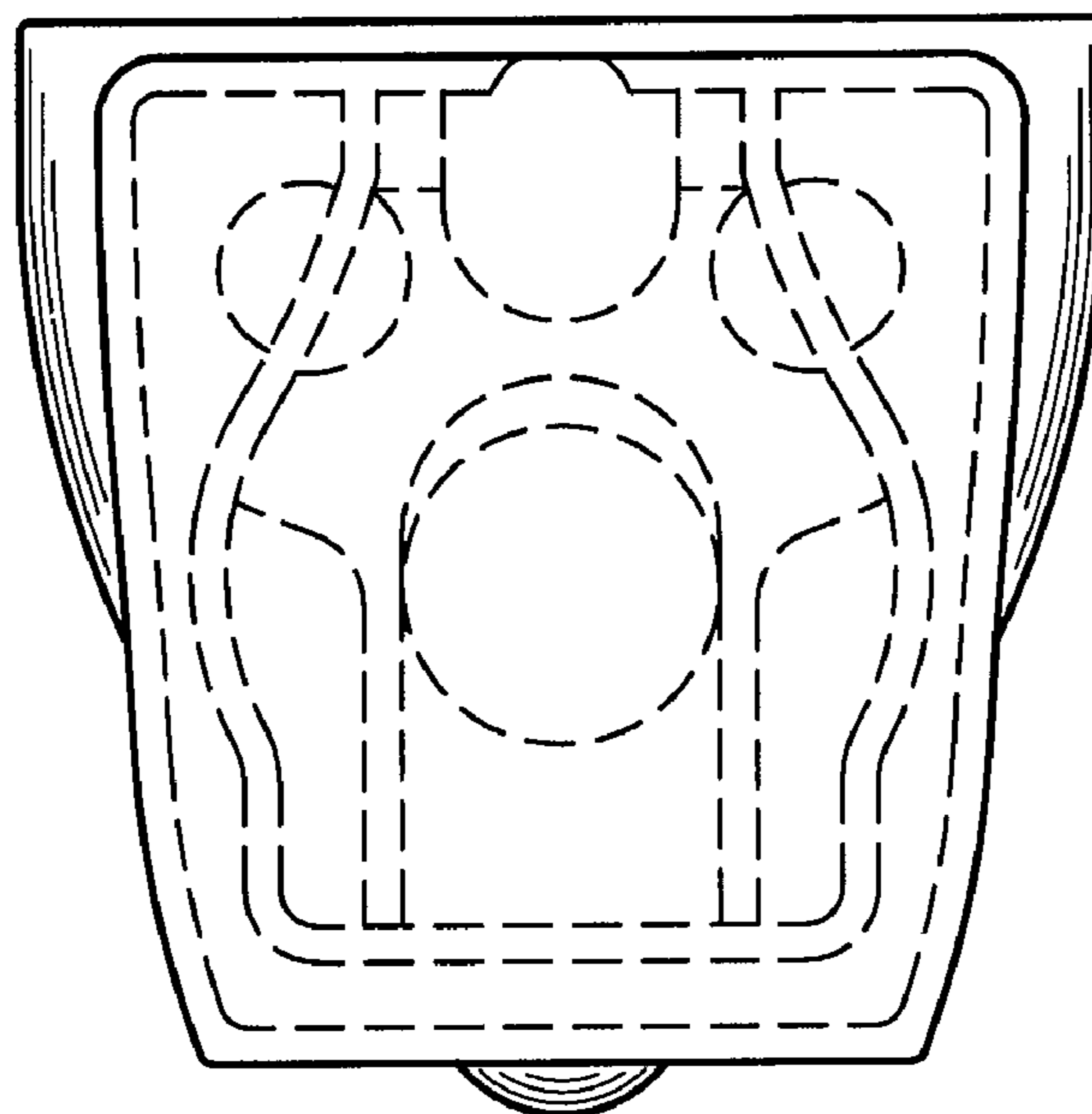


FIG. 7