



US00D624995S

(12) **United States Design Patent**
Thomas

(10) **Patent No.:** **US D624,995 S**

(45) **Date of Patent:** **** Oct. 5, 2010**

(54) **VANITY**

(75) Inventor: **Carter J. Thomas**, Branchburg, NJ (US)

(73) Assignee: **AS IP Holdco, L.L.C.**, Piscataway, NJ (US)

(**) Term: **14 Years**

(21) Appl. No.: **29/358,901**

(22) Filed: **Apr. 1, 2010**

(51) **LOC (9) Cl.** **23-02**

(52) **U.S. Cl.** **D23/286**

(58) **Field of Classification Search** D23/286,
D23/284, 293.1, 308; 4/630; D6/397, 432,
D6/441; 312/228, 249.8

See application file for complete search history.

(56) **References Cited**

U.S. PATENT DOCUMENTS

D229,262 S * 11/1973 Pearson D6/441

D535,728 S * 1/2007 Helmsie D23/286

D599,134 S * 9/2009 Jeup D6/441

D599,895 S * 9/2009 Heinz et al. D23/286

* cited by examiner

Primary Examiner—Robert A Delehanty

(74) *Attorney, Agent, or Firm*—Flaster/Greenberg, P.C.

(57) **CLAIM**

The ornamental design for a vanity, as shown and described.

DESCRIPTION

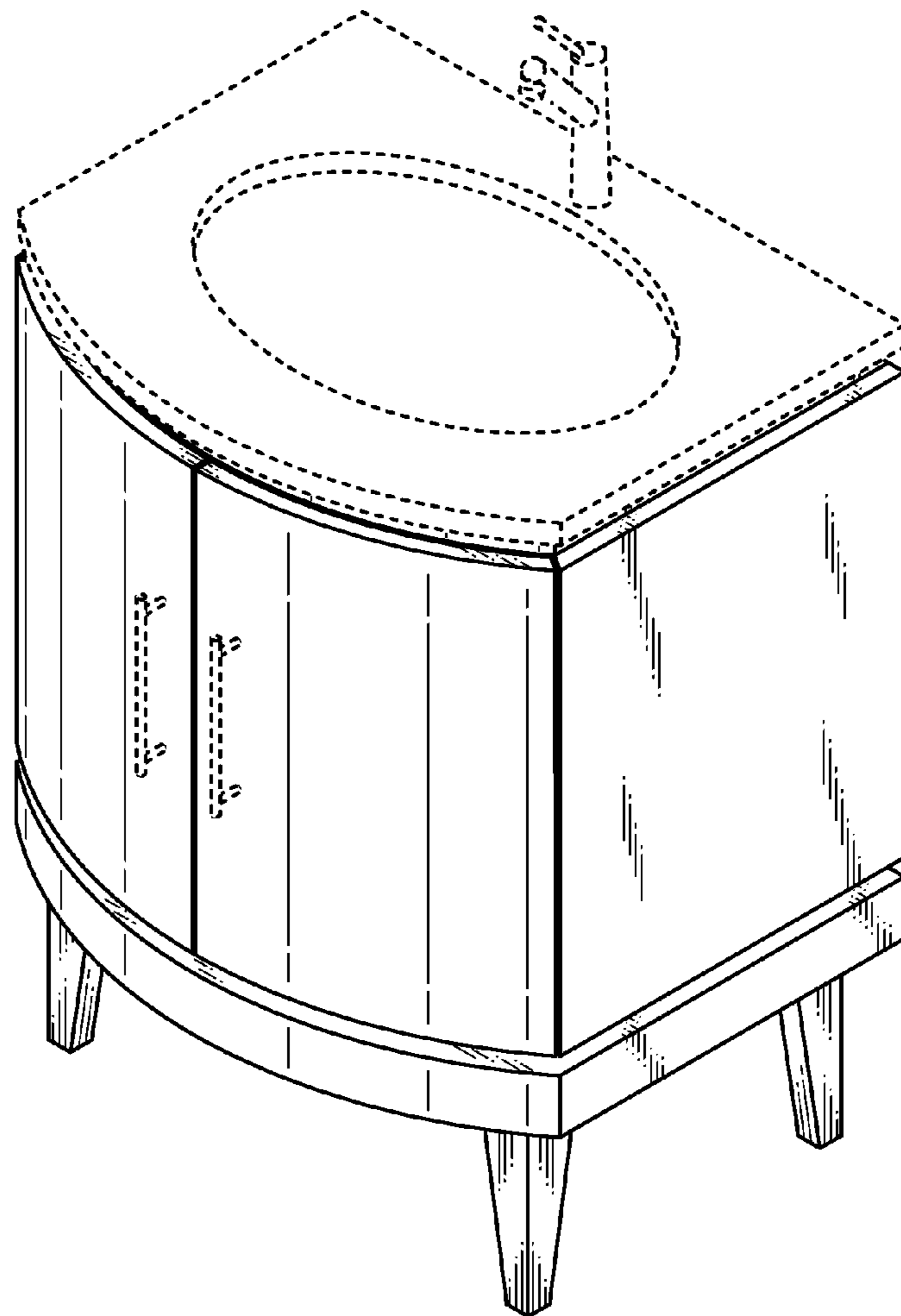
FIG. 1 is a perspective view of a vanity;

FIG. 2 is a front view of the vanity of FIG. 1;

FIG. 3 is a side view of the vanity of FIG. 1; and,

FIG. 4 is a rear view of the vanity of FIG. 1.

1 Claim, 3 Drawing Sheets



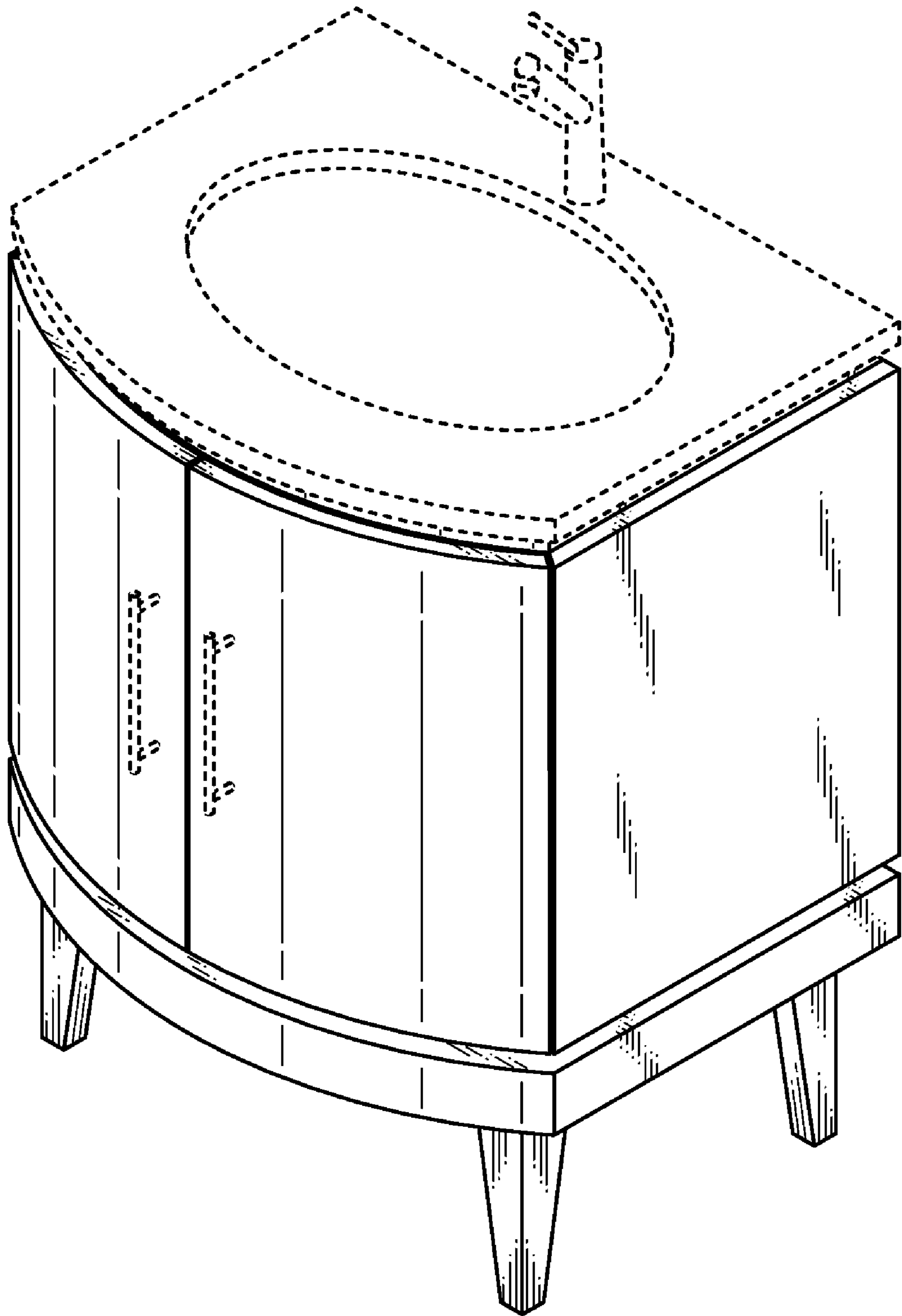


FIG. 1

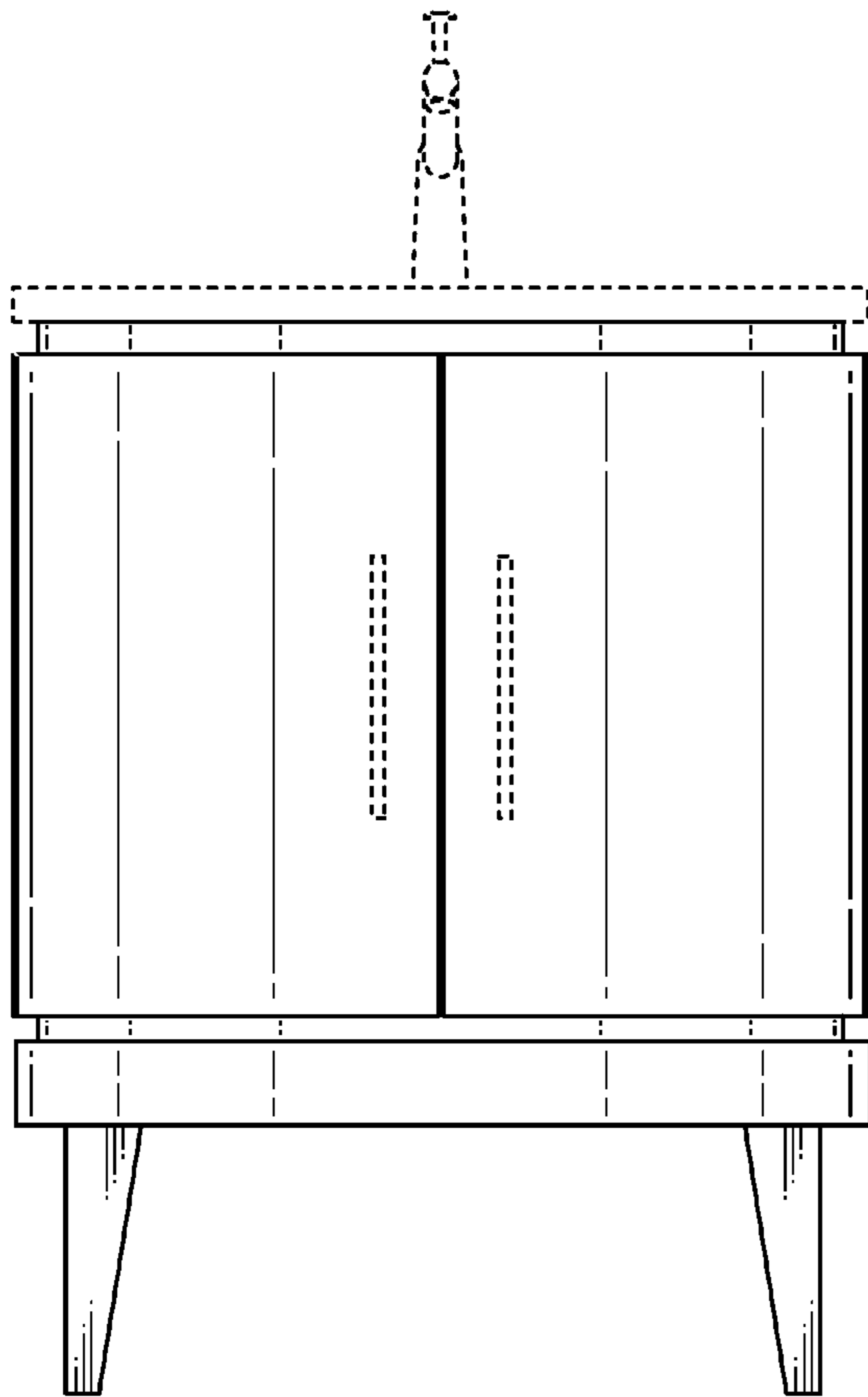


FIG. 2

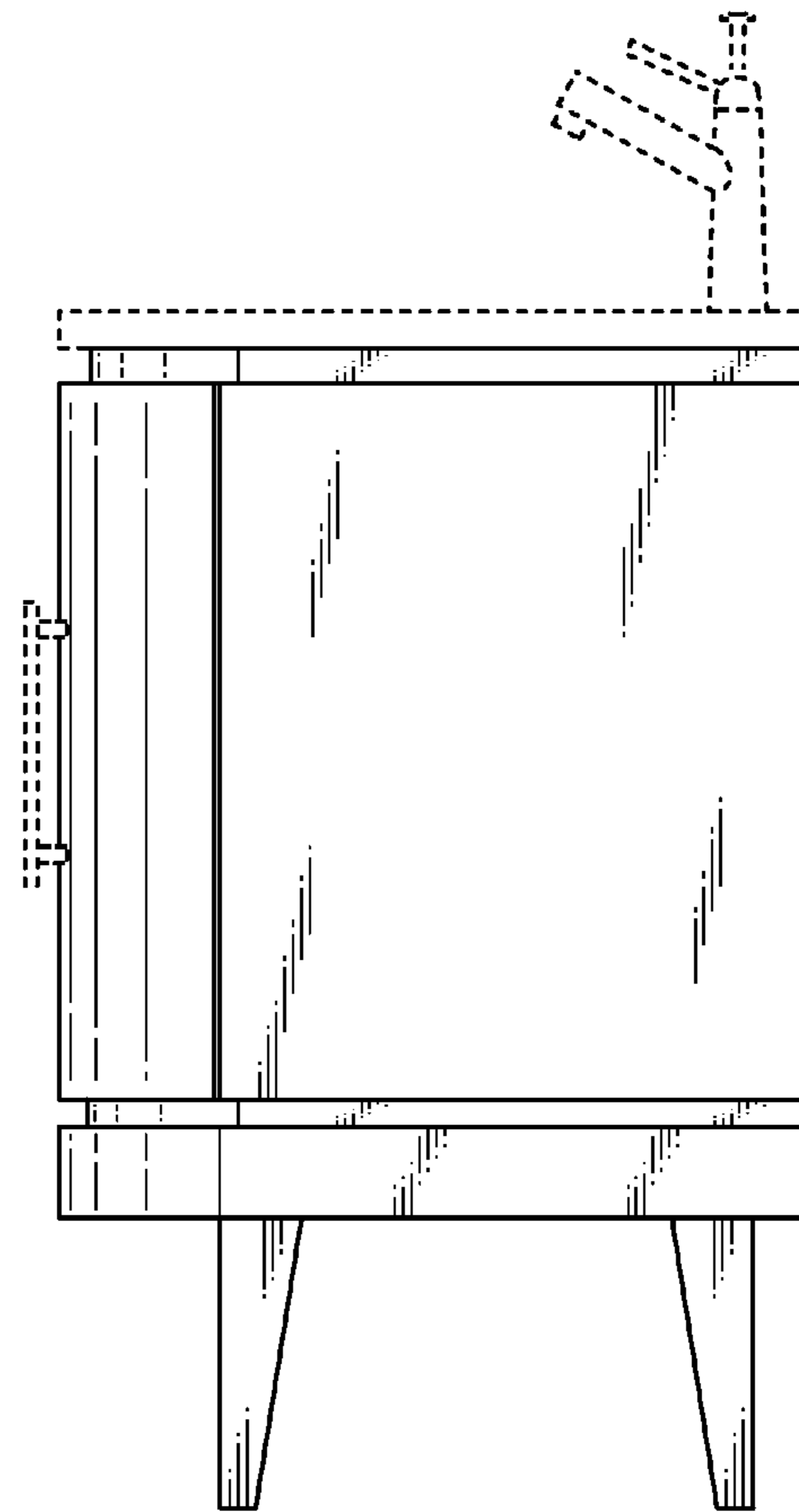


FIG. 3

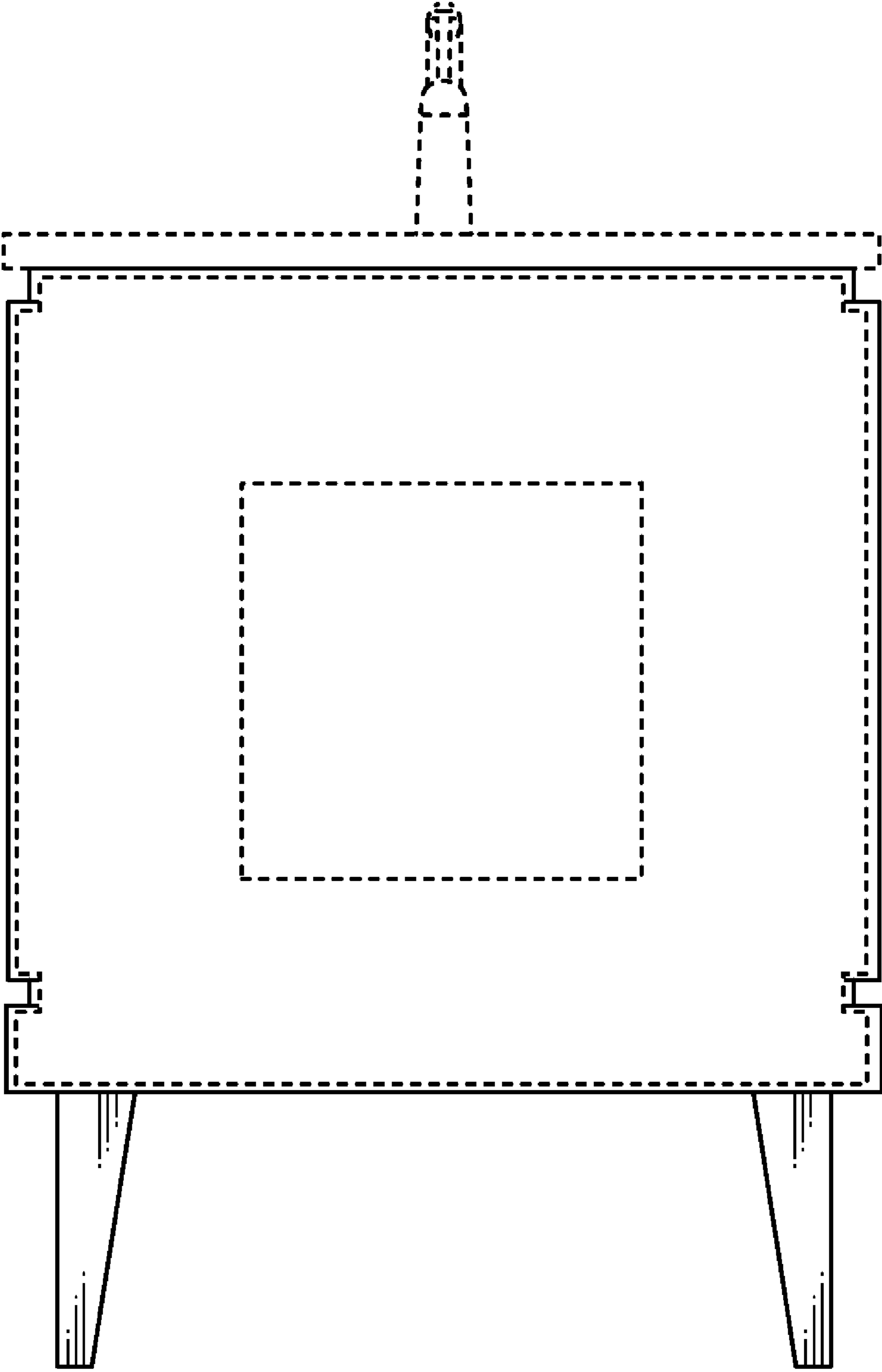


FIG. 4