



US00D624994S

(12) **United States Design Patent**
Thomas

(10) **Patent No.:** **US D624,994 S**
(45) **Date of Patent:** **** Oct. 5, 2010**

(54) **VANITY**

D455,480 S * 4/2002 McKeone D23/308

(75) Inventor: **Carter J. Thomas**, Branchburg, NJ (US)

* cited by examiner

(73) Assignee: **AS IP Holdco, L.L. C.**, Piscataway, NJ (US)

Primary Examiner—Robert A Delehanty

(74) *Attorney, Agent, or Firm*—Flaster/Greenberg, P.C.

(**) Term: **14 Years**

(57) **CLAIM**

The ornamental design for a vanity, as shown and described.

(21) Appl. No.: **29/358,895**

DESCRIPTION

(22) Filed: **Apr. 1, 2010**

FIG. 1 is a perspective view of a vanity;

(51) **LOC (9) Cl.** **23-01**

FIG. 2 is a top plan view of the vanity of FIG. 1;

(52) **U.S. Cl.** **D23/284**

FIG. 3 is a front view of the vanity of FIG. 1;

(58) **Field of Classification Search** D23/284,

FIG. 4 is a side view of the vanity of FIG. 1;

D23/292, 308, 293.1; 4/619, 646

FIG. 5 is a rear view of the vanity of FIG. 1; and,

See application file for complete search history.

FIG. 6 is a sectional view of the leg of the vanity of FIG. 1.

(56) **References Cited**

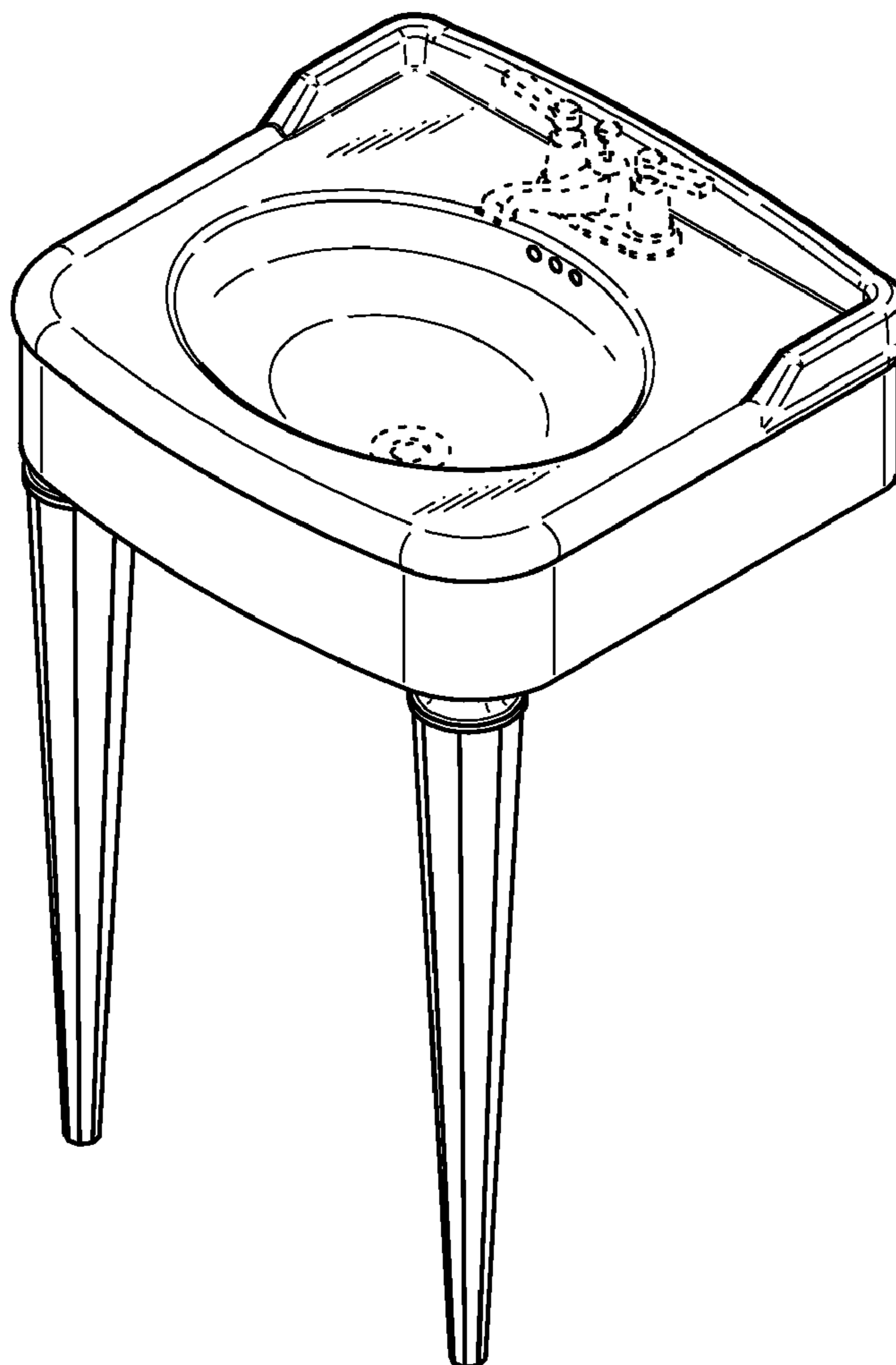
The broken lines showing the rear surface, faucet and drain hole are included for the purpose of illustrating a portion of the vanity that forms no part of the claimed design.

U.S. PATENT DOCUMENTS

D41,841 S * 10/1911 Gavin D23/292

D441,062 S * 4/2001 Kawamura D23/292

1 Claim, 2 Drawing Sheets



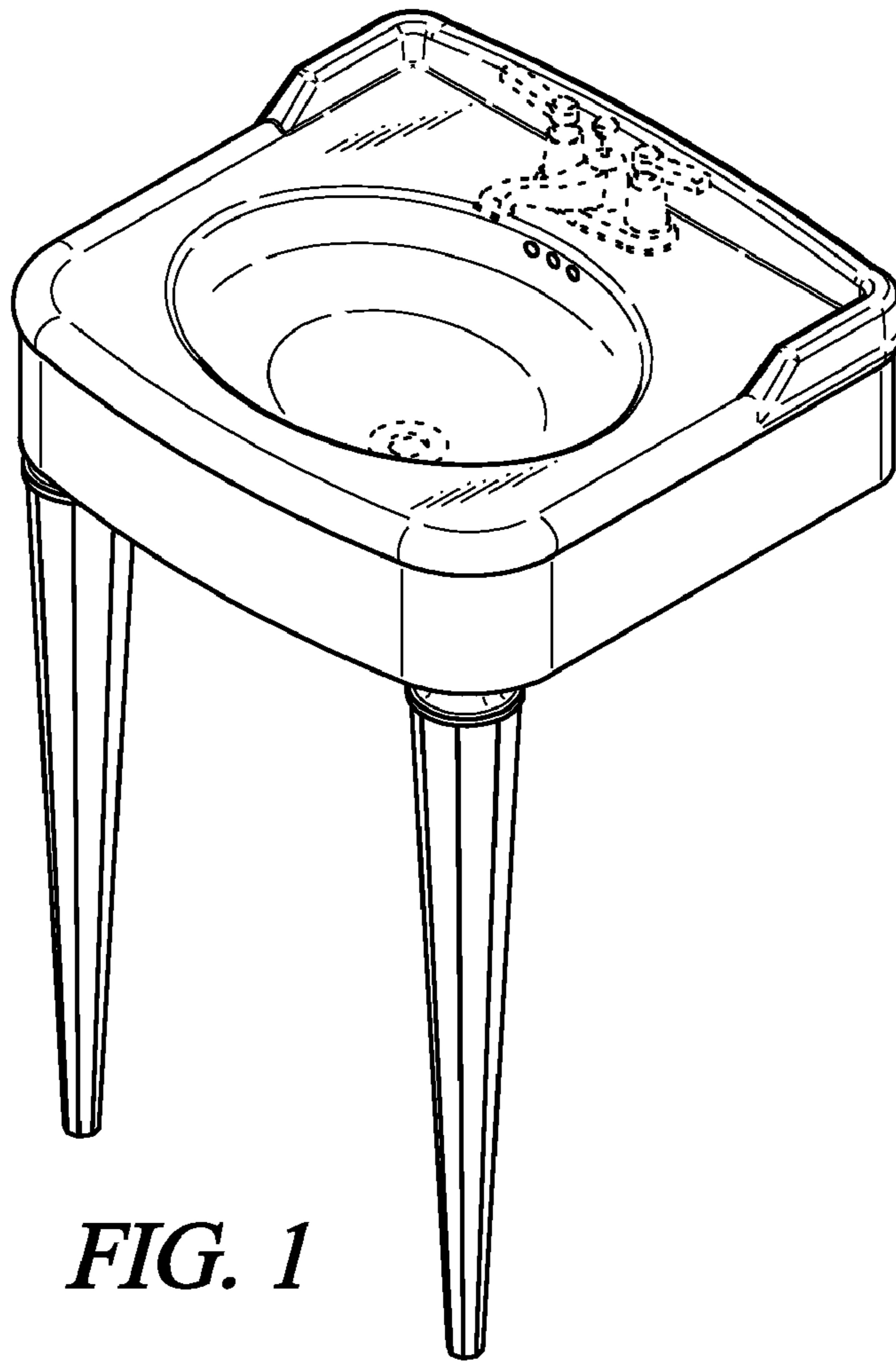


FIG. 1

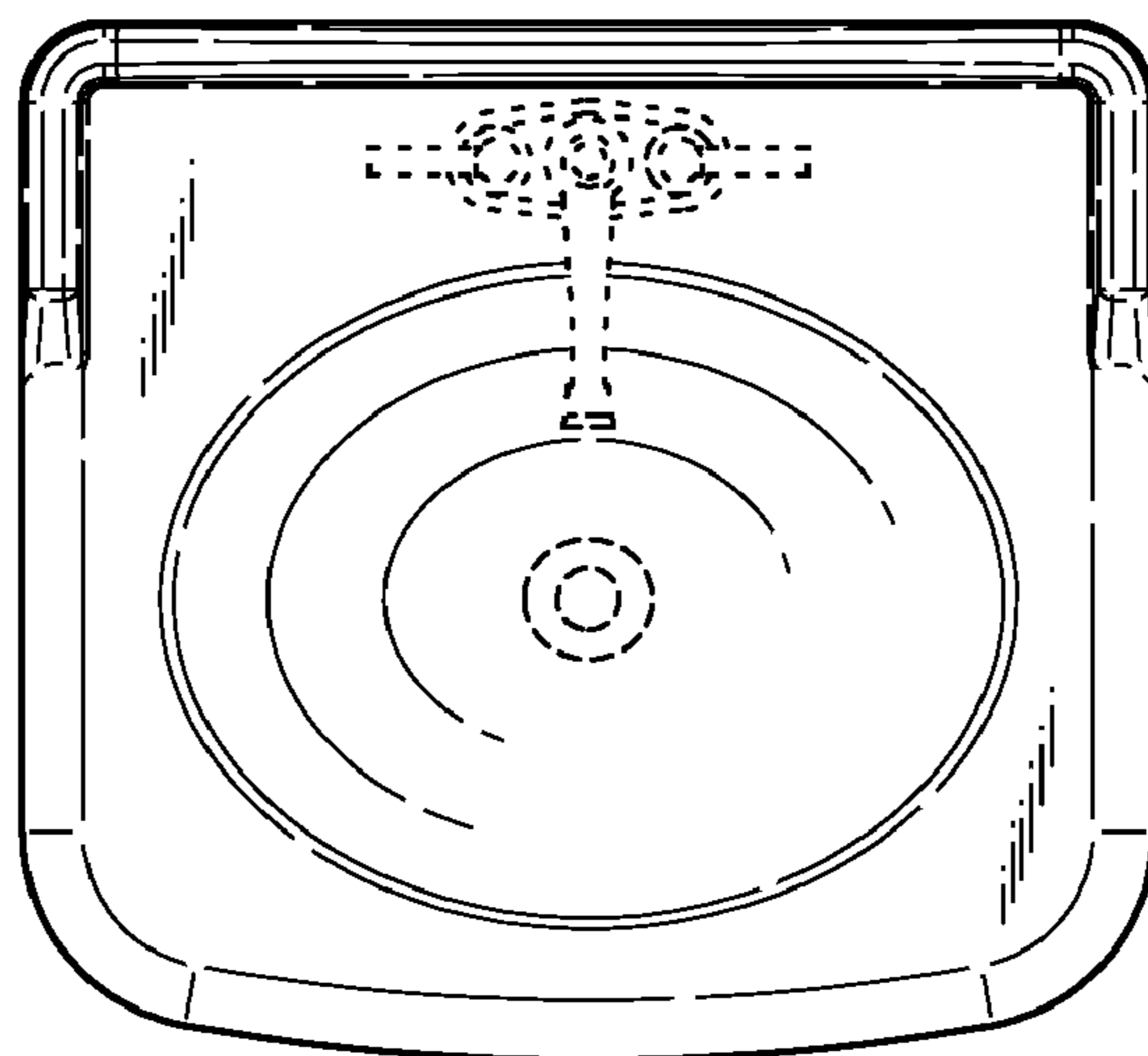


FIG. 2

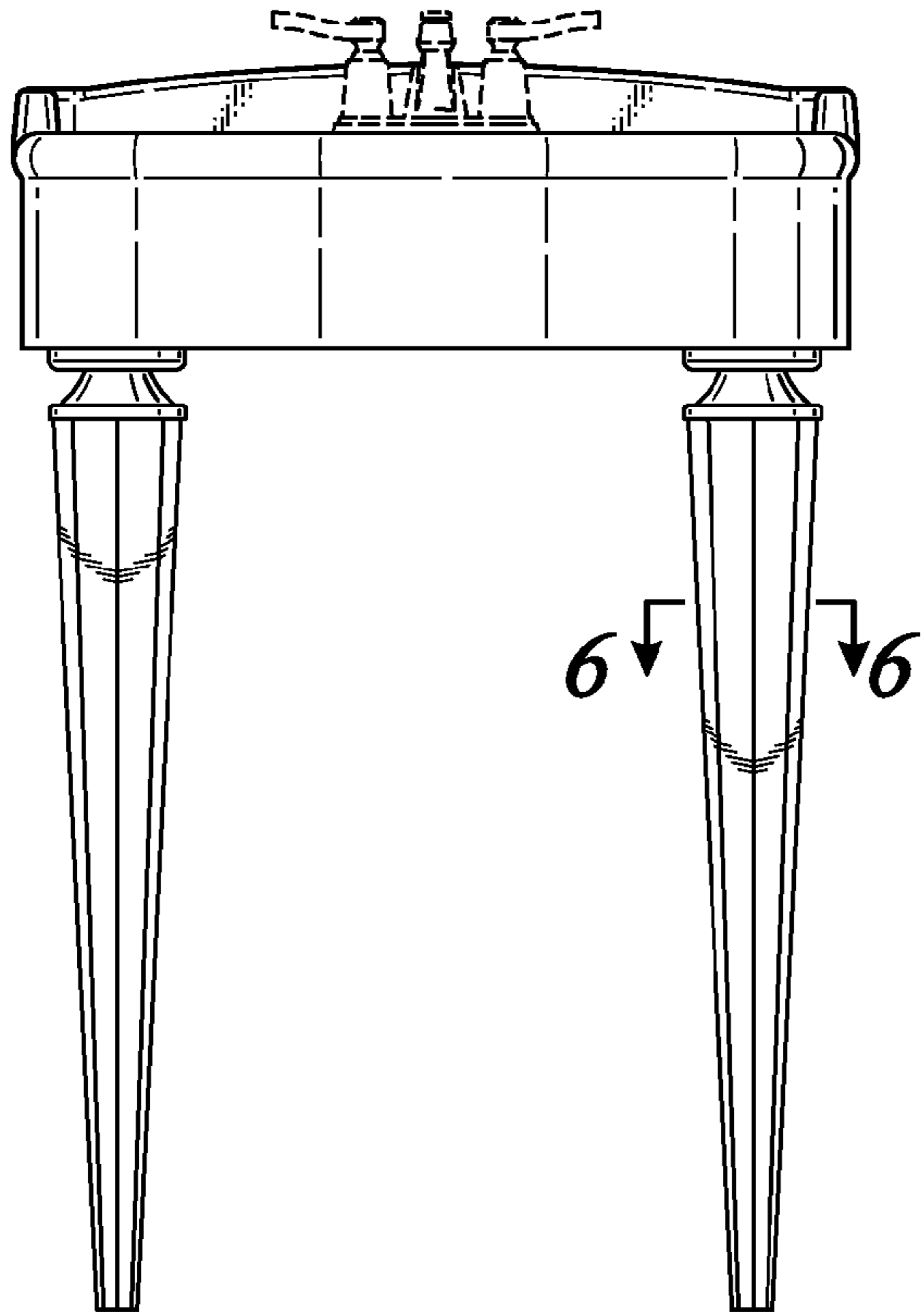


FIG. 3

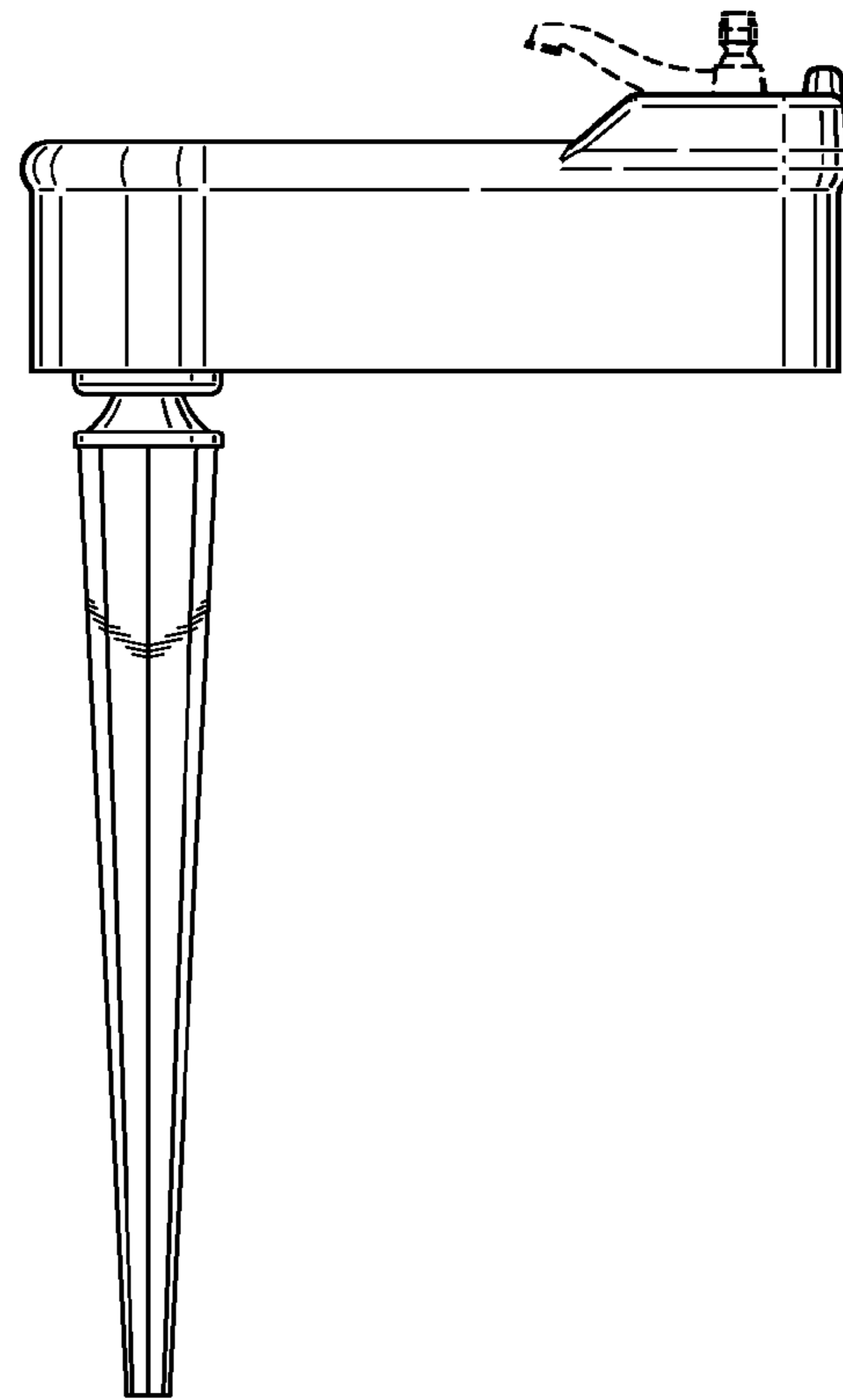


FIG. 4

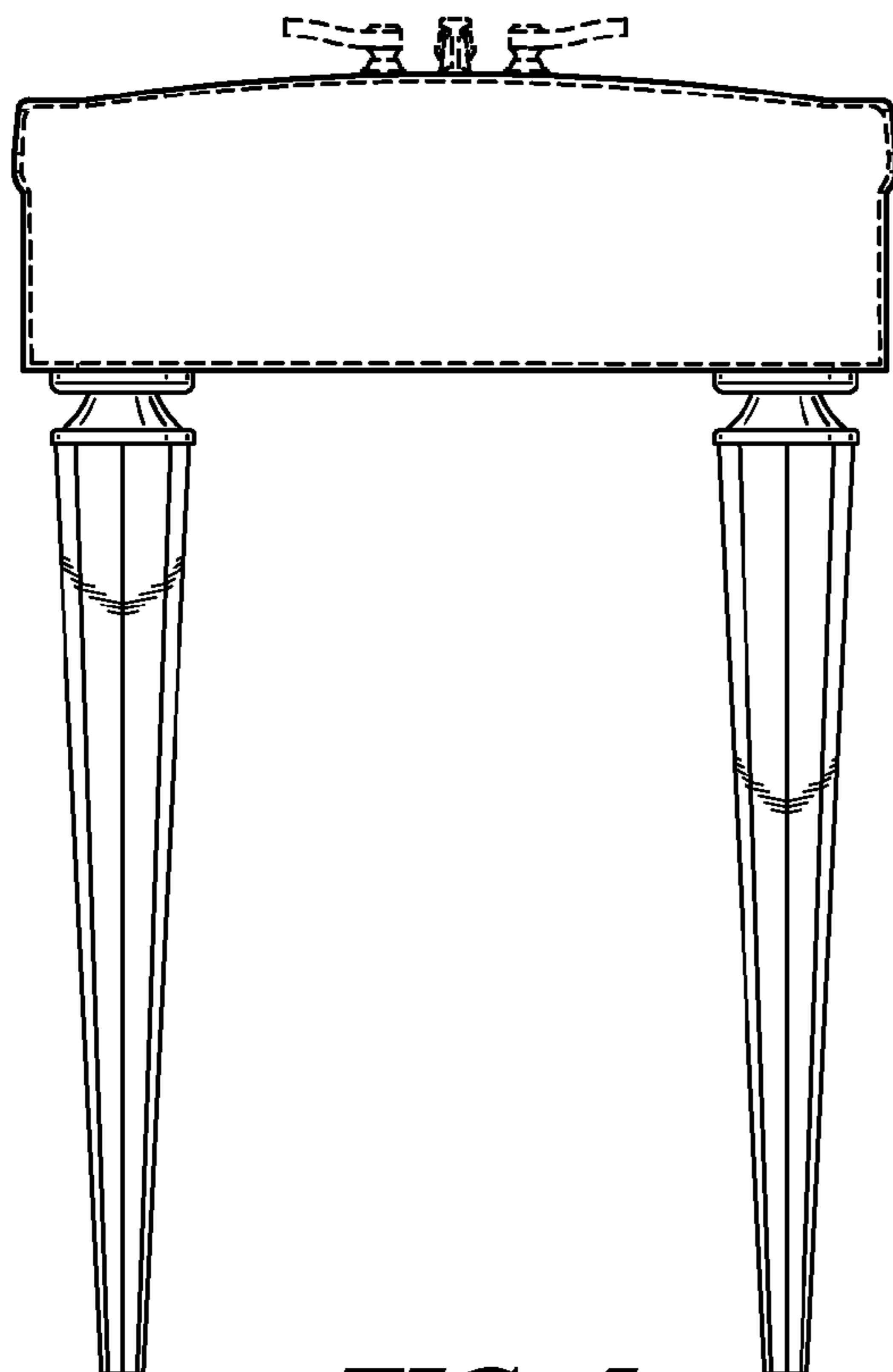


FIG. 5



FIG. 6