



US00D624993S

(12) **United States Design Patent**
Thomas et al.

(10) **Patent No.:** **US D624,993 S**

(45) **Date of Patent:** **** Oct. 5, 2010**

(54) **VANITY**

D441,062 S * 4/2001 Kawamura D23/292
D543,260 S * 5/2007 Miyamoto D23/292

(75) Inventors: **Carter J. Thomas**, Branchburg, NJ
(US); **Christophe Bucher**, Hillsborough,
NJ (US)

* cited by examiner

Primary Examiner—Robert A Delehanty
(74) *Attorney, Agent, or Firm*—Flaster/Greenberg, P.C.

(73) Assignee: **AS IP Holdco, L.L.C.**, Piscataway, NJ
(US)

(57) **CLAIM**

(**) Term: **14 Years**

The ornamental design for a vanity, as shown and described.

(21) Appl. No.: **29/358,890**

DESCRIPTION

(22) Filed: **Apr. 1, 2010**

(51) **LOC (9) Cl.** **23-01**

(52) **U.S. Cl.** **D23/284**

(58) **Field of Classification Search** D23/284,
D23/292, 308, 293.1; 4/619, 646
See application file for complete search history.

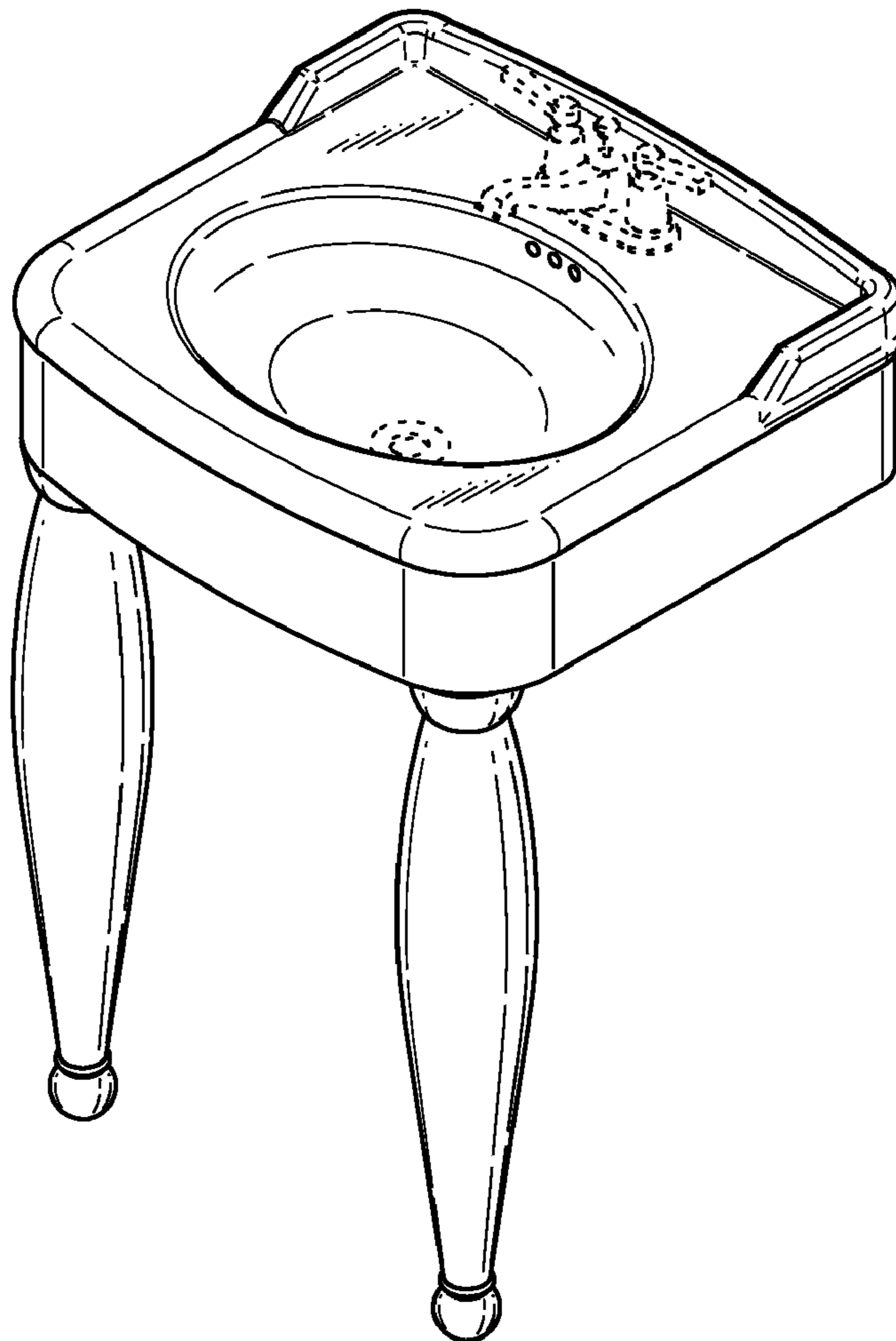
FIG. 1 is a perspective view of a vanity;
FIG. 2 is a top plan view of the vanity of FIG. 1;
FIG. 3 is a front view of the vanity of FIG. 1;
FIG. 4 is a side view of the vanity of FIG. 1; and,
FIG. 5 is a rear view of the vanity of FIG. 1.
The broken lines showing the rear surface, faucet and drain
hole are included for the purpose of illustrating a portion of
the vanity that forms no part of the claimed design.

(56) **References Cited**

U.S. PATENT DOCUMENTS

D41,841 S * 10/1911 Gavin D23/292

1 Claim, 2 Drawing Sheets



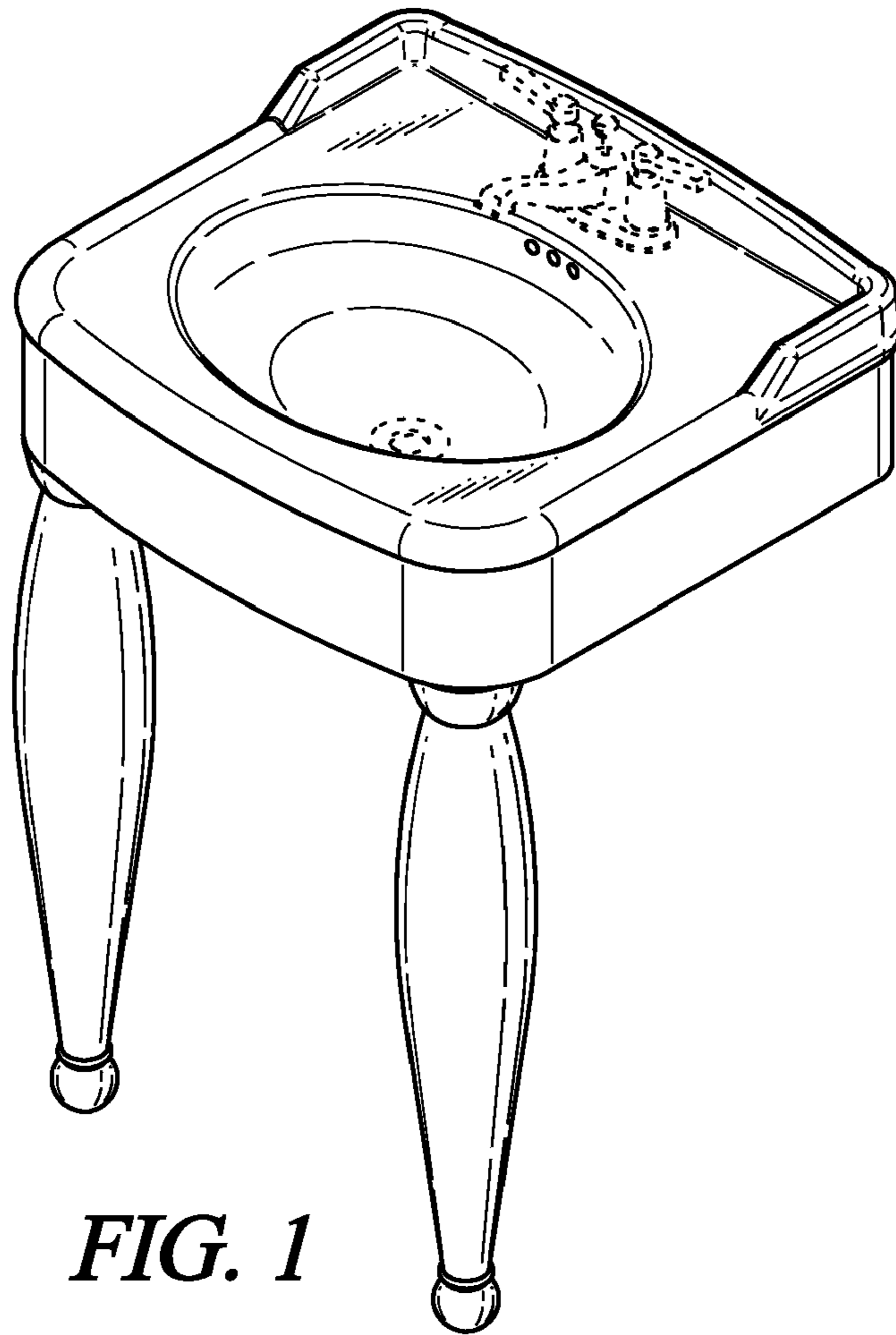


FIG. 1

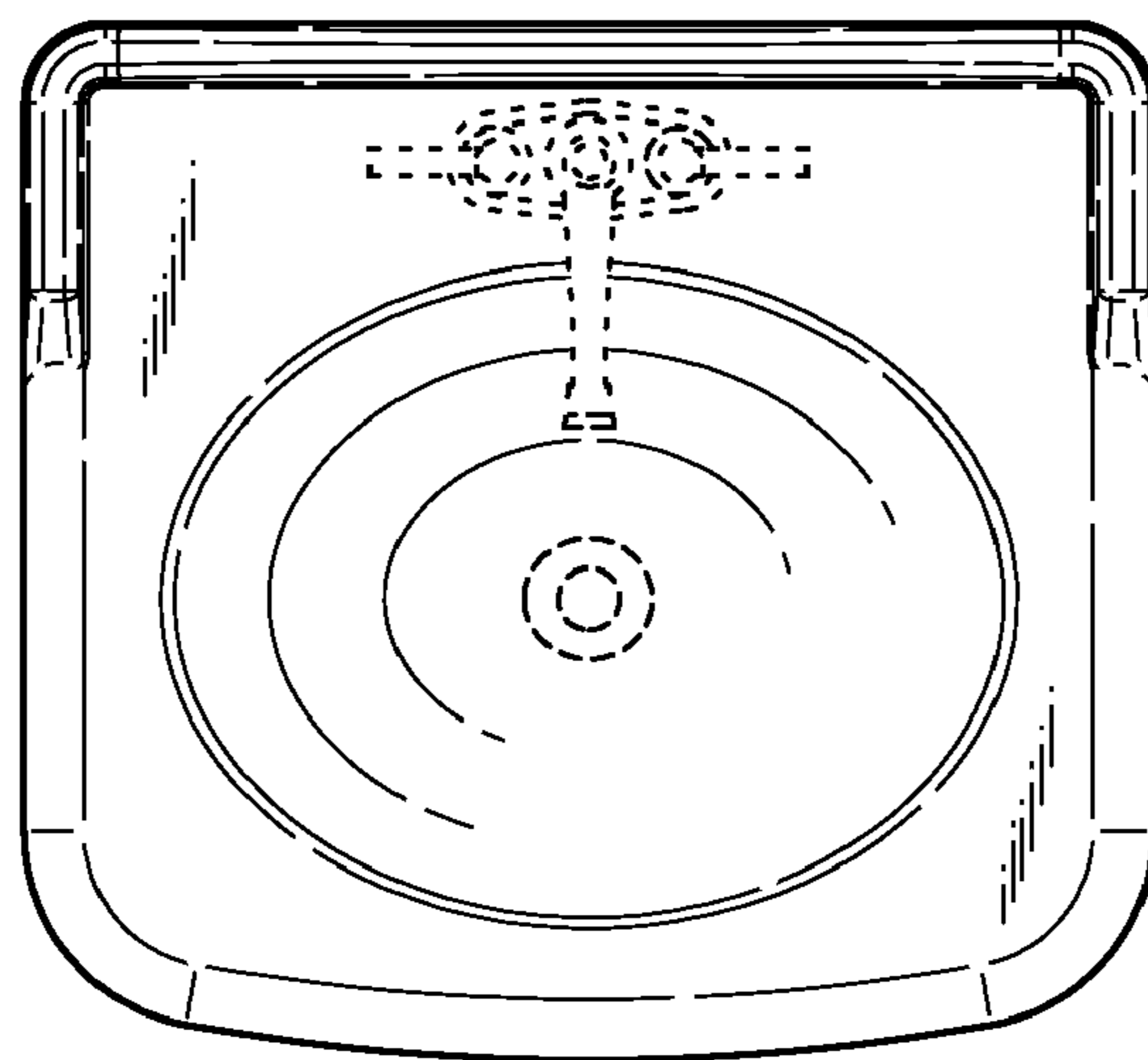


FIG. 2

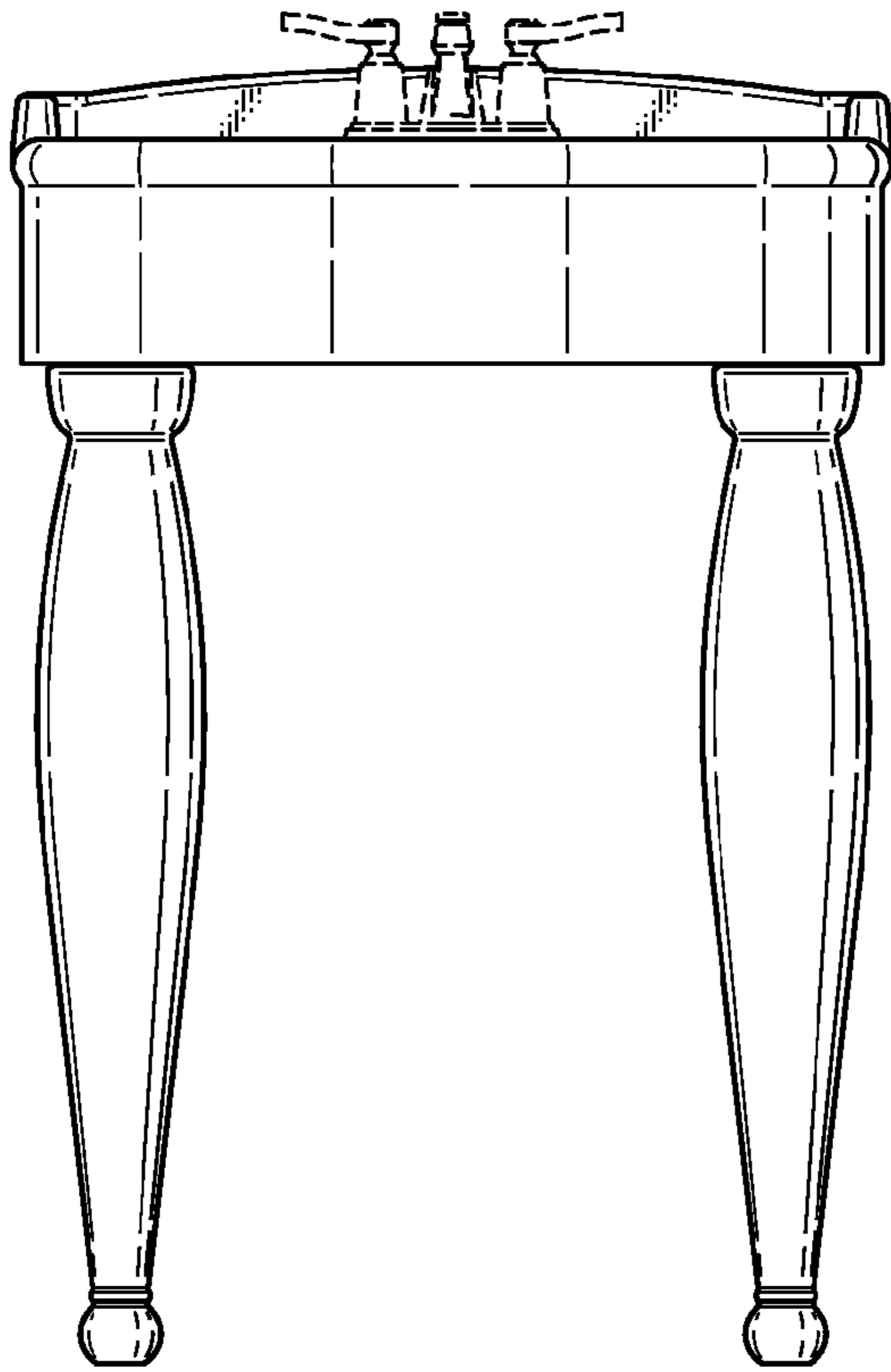


FIG. 3

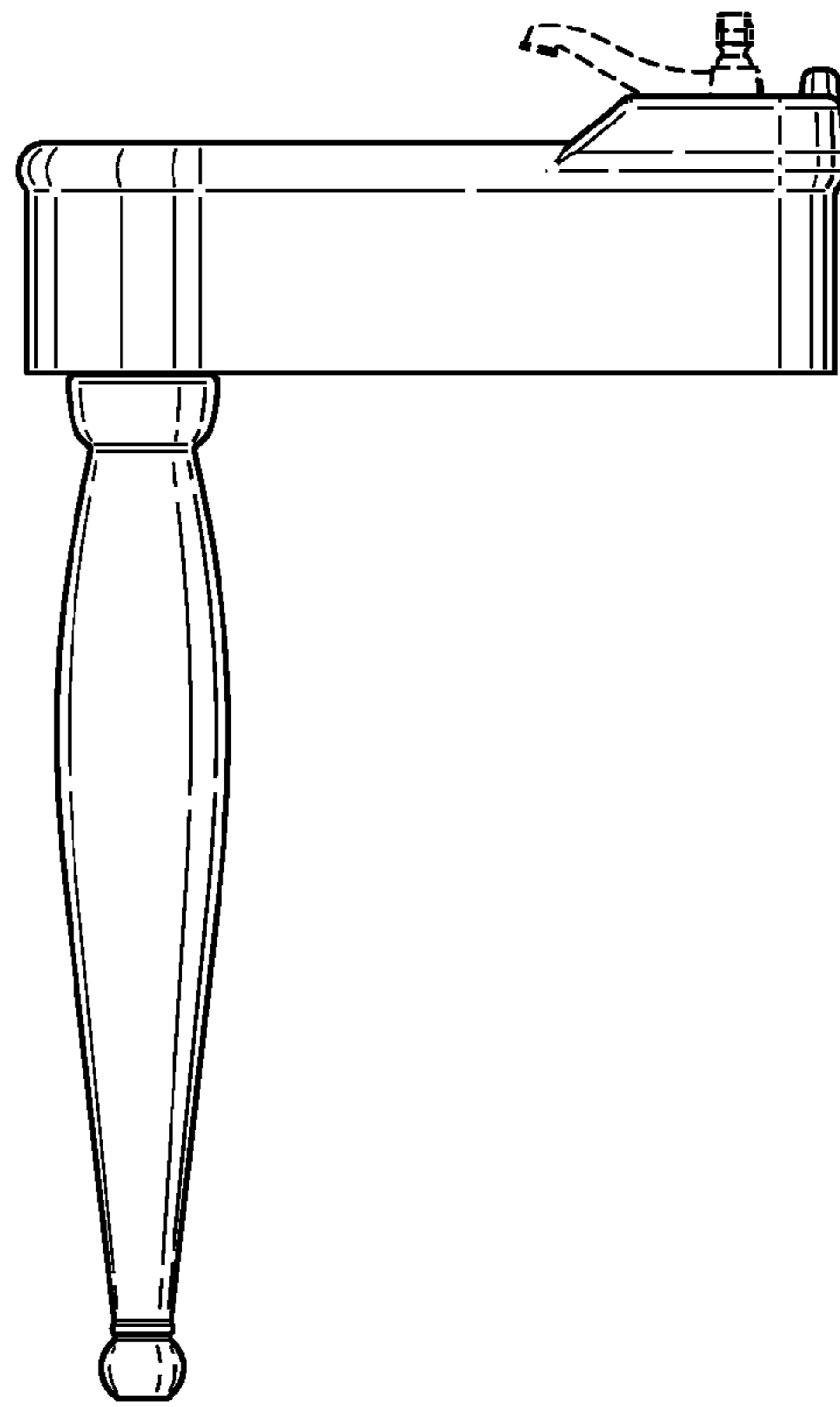


FIG. 4

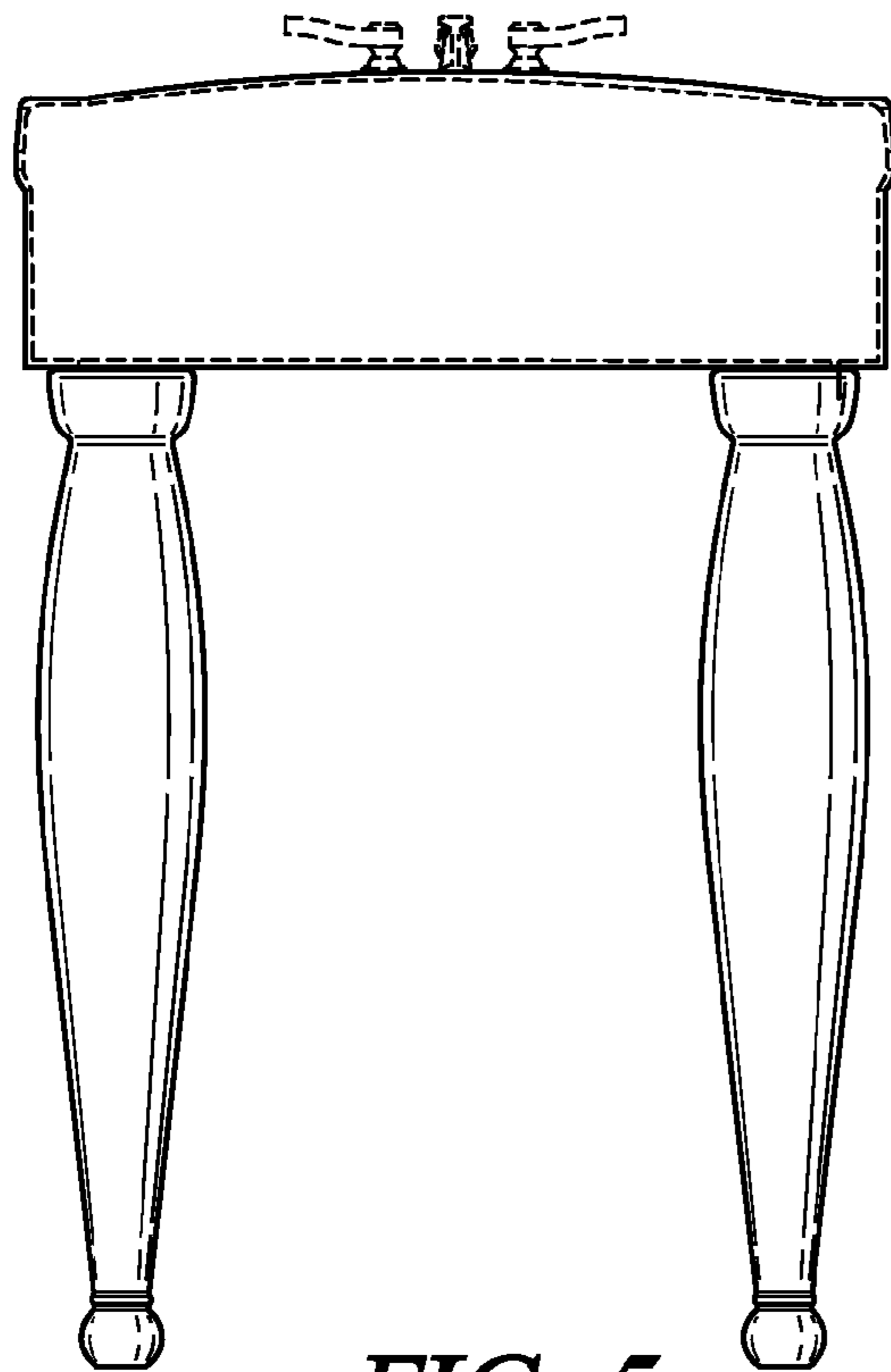


FIG. 5