



US00D624991S

(12) **United States Design Patent**
Kulig

(10) **Patent No.:** **US D624,991 S**
(45) **Date of Patent:** **** Oct. 5, 2010**

(54) **FAUCET**

(75) **Inventor:** **Zbigniew Kulig**, Wadworth, IL (US)

(73) **Assignee:** **Graff Faucets**, Milwaukee, WI (US)

(**) **Term:** **14 Years**

(21) **Appl. No.:** **29/350,389**

(22) **Filed:** **Nov. 16, 2009**

(51) **LOC (9) Cl.** **23-01**

(52) **U.S. Cl.** **D23/242**

(58) **Field of Classification Search** D23/200,
D23/238-257; D6/512, 546, 550; D8/300,
D8/307-308, 310-312, 321; 4/675-678;
137/801; 16/110.1, 441

See application file for complete search history.

(56) **References Cited**

U.S. PATENT DOCUMENTS

D265,229 S *	6/1982	Paul	D23/242
D280,232 S *	8/1985	Paul	D23/242
D364,215 S *	11/1995	Starck	D23/242
D466,982 S *	12/2002	Gerlach	D23/242
D479,583 S *	9/2003	Citterio	D23/242
D479,740 S *	9/2003	Citterio	D23/242
D492,392 S *	6/2004	Pohl et al.	D23/242
D511,200 S	11/2005	Kulig et al.		
D511,560 S	11/2005	Kulig et al.		
D512,765 S	12/2005	Kulig		
D520,119 S	5/2006	Kulig		
D528,189 S	9/2006	Kulig		
D533,639 S *	12/2006	Hoernig	D23/242
D540,916 S *	4/2007	Toyohara	D23/241
D566,815 S *	4/2008	Wang	D23/242

D570,450 S *	6/2008	Dolan	D23/241
D582,520 S *	12/2008	Lobermeier et al.	D23/242
D602,570 S *	10/2009	Lammel et al.	D23/242
D603,019 S *	10/2009	Flowers et al.	D23/238

OTHER PUBLICATIONS

Blanco America, Meridian Kitchen Faucet, http://www.blancoamerica.com/_Faucets/157-131-St.htm?tmp=faucet (Oct. 29, 2009).

Kulig, U.S. Appl. No. 29/340,747, filed Jul. 24, 2009, entitled "Faucet".

* cited by examiner

Primary Examiner—T. Chase Nelson

Assistant Examiner—Mark Cavanna

(74) *Attorney, Agent, or Firm*—Boyle Fredrickson, S.C.

(57) **CLAIM**

The ornamental design for a faucet, as shown and described.

DESCRIPTION

FIG. 1 is perspective view of a faucet incorporating my new design, viewed from in front of, above, and from the left side of the faucet;

FIG. 2 is a right-side elevation view thereof;

FIG. 3 is a left-side elevation view thereof;

FIG. 4 is a front elevation view thereof;

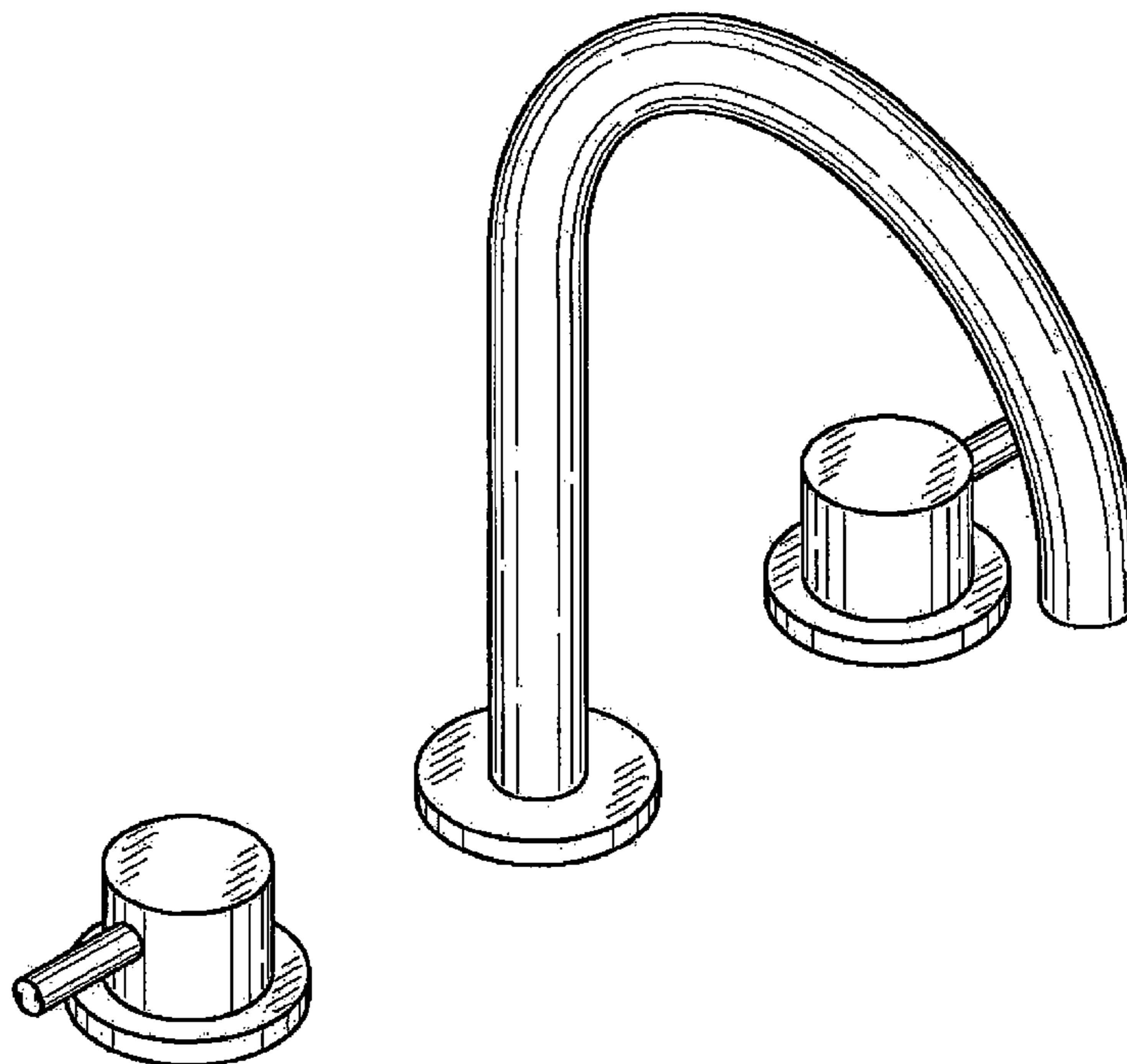
FIG. 5 is a rear elevation view thereof;

FIG. 6 is a top plan view thereof; and,

FIG. 7 is a bottom plan view thereof.

The broken lines in FIG. 7 are for illustrative purposes only and form no part of the claimed design.

1 Claim, 7 Drawing Sheets



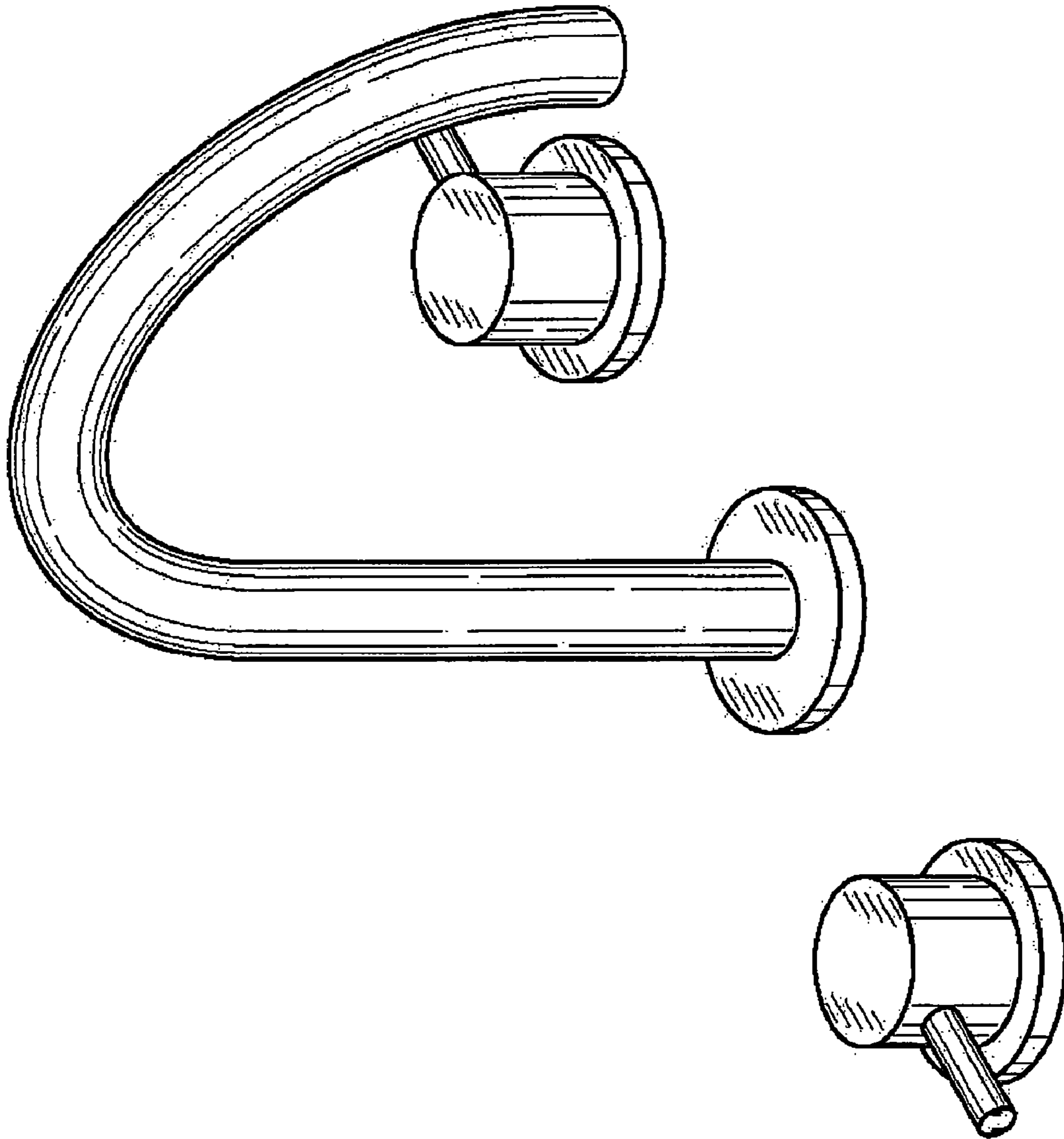


FIG. 1

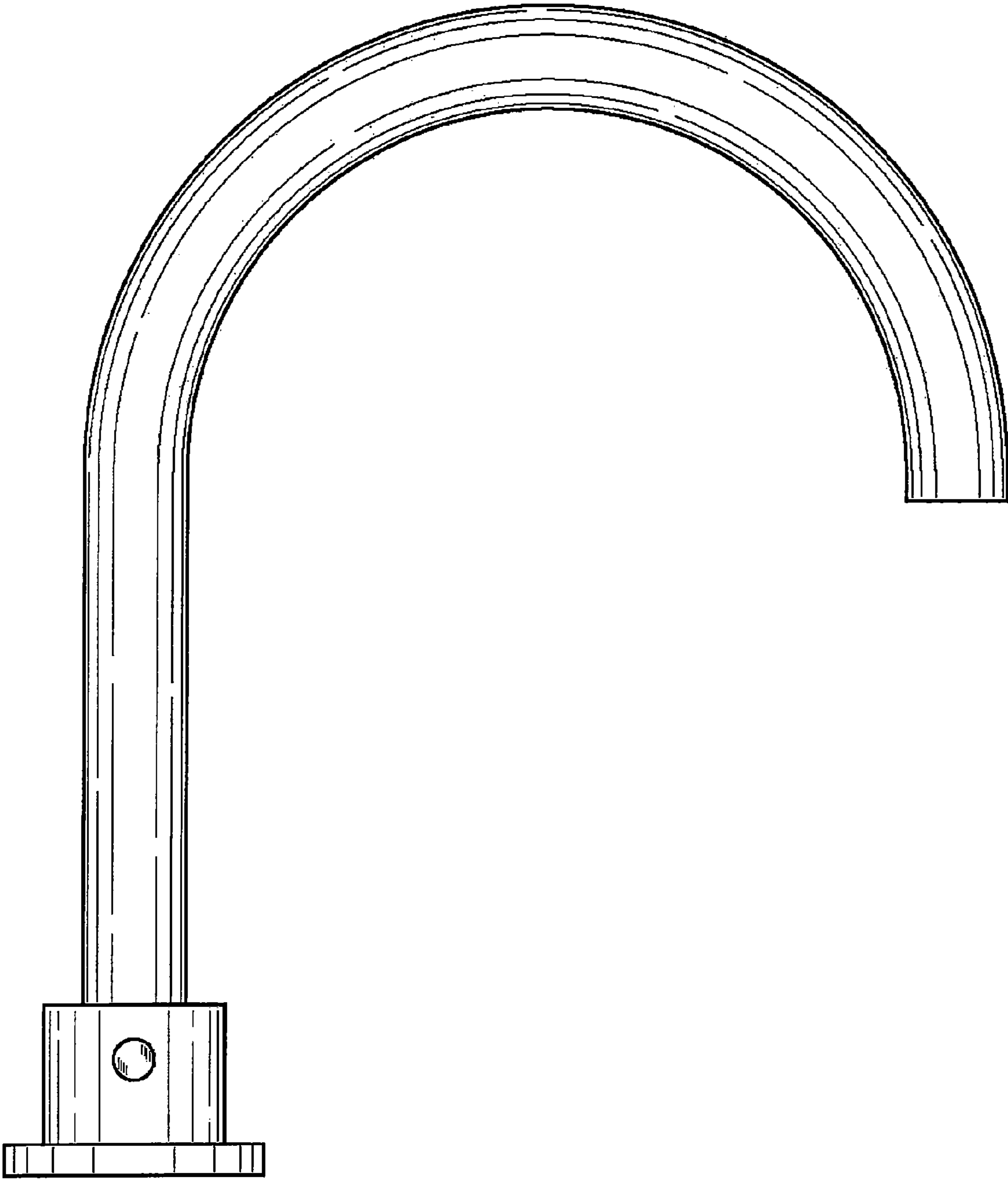


FIG. 2

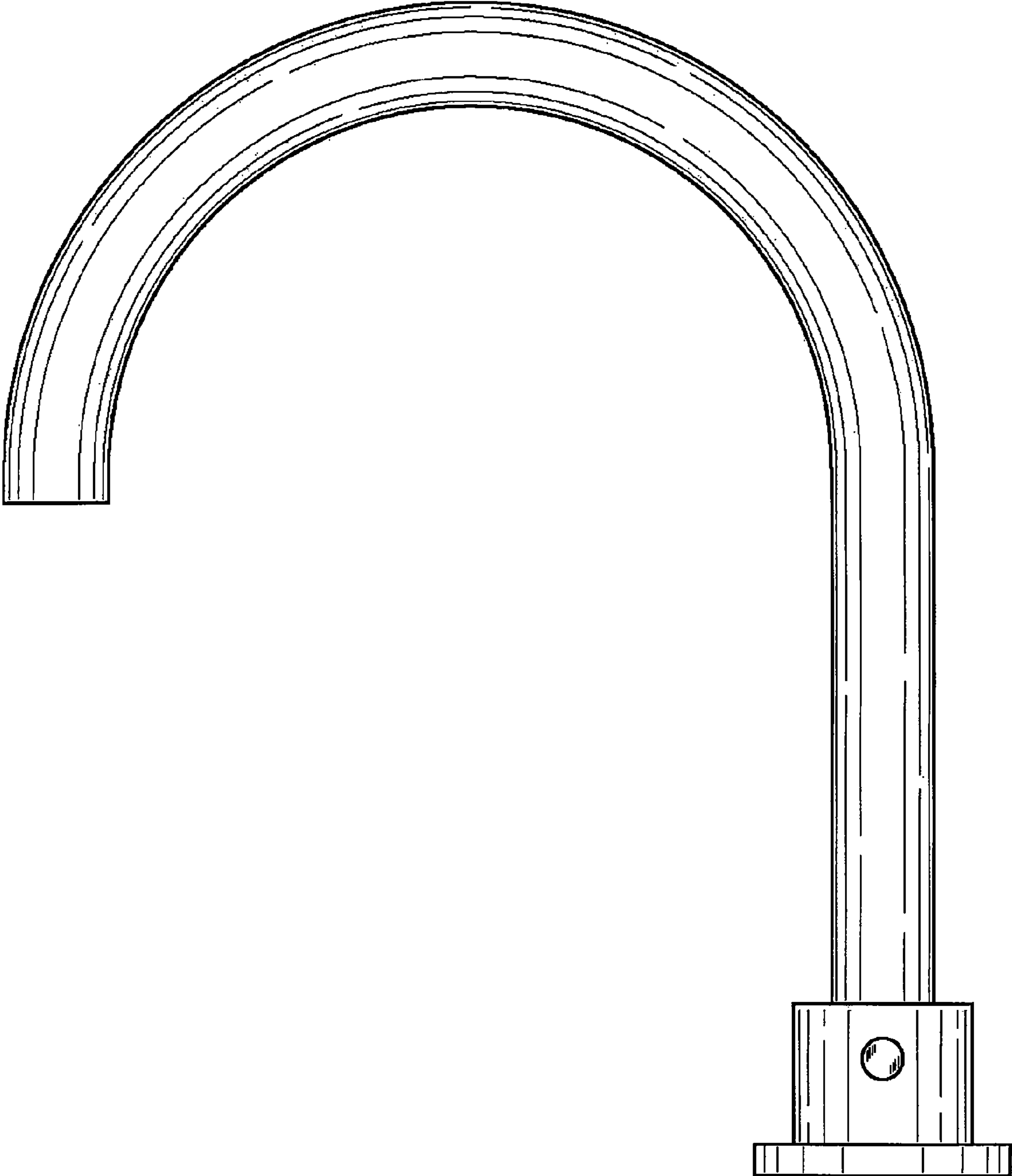


FIG. 3

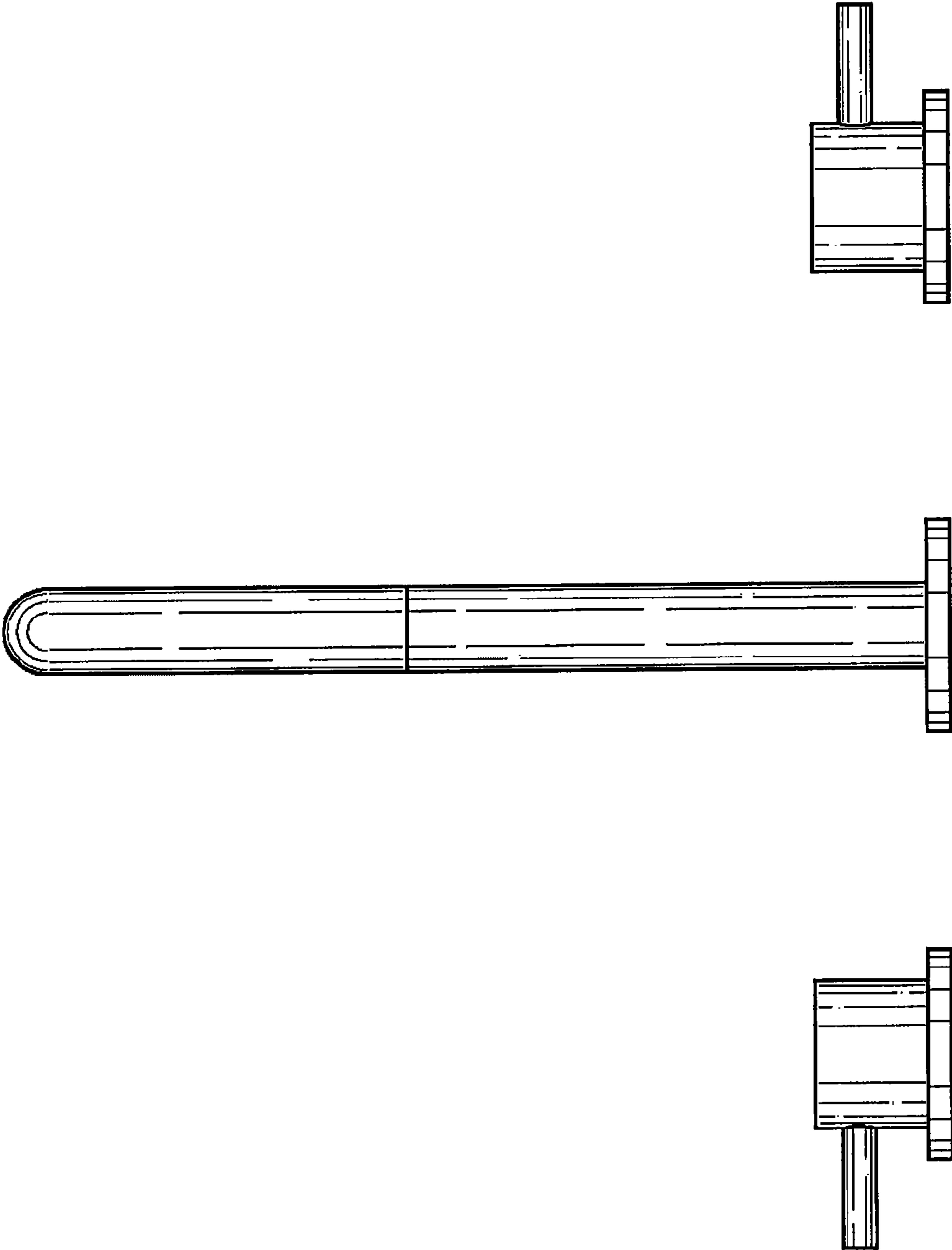


FIG. 4

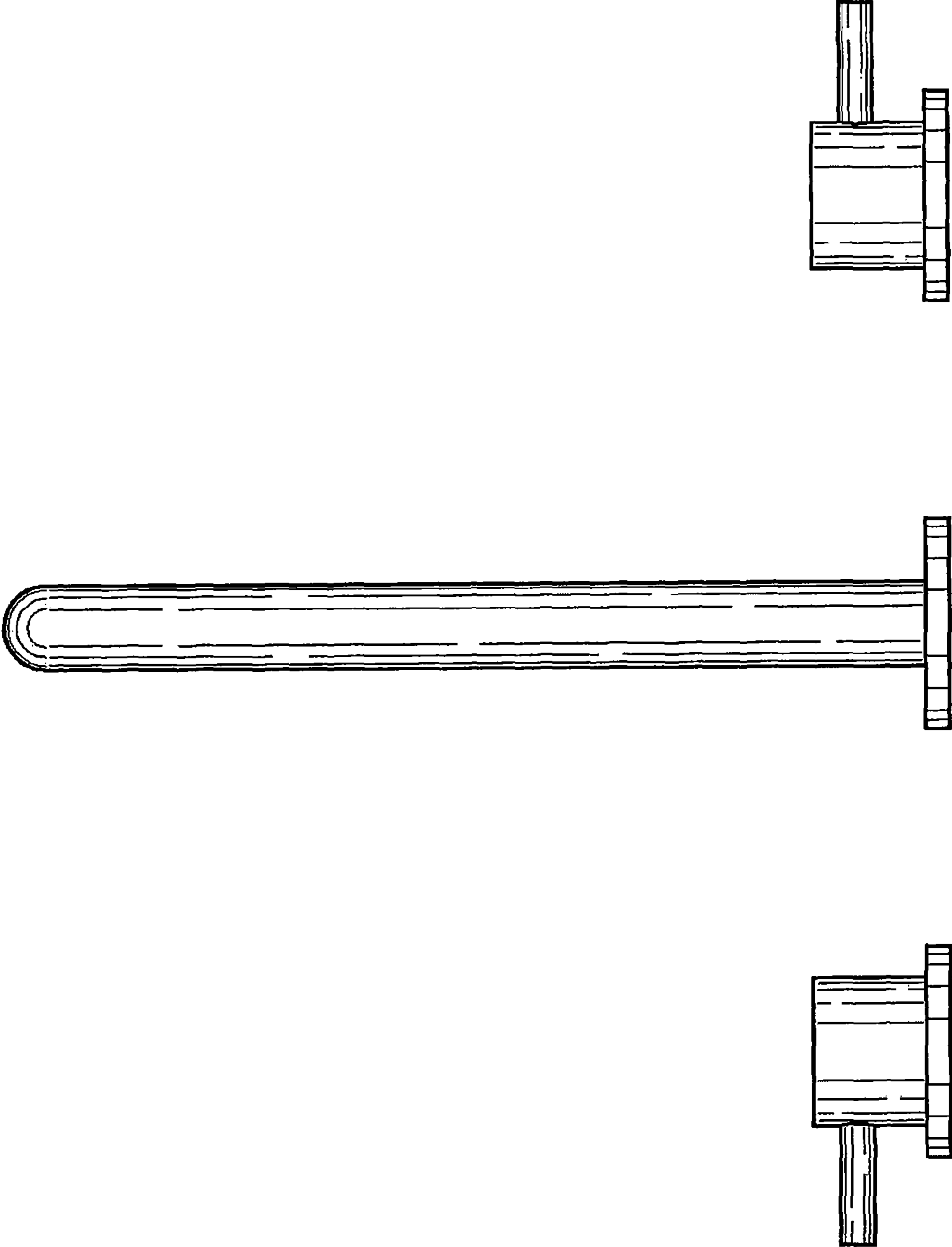


FIG. 5

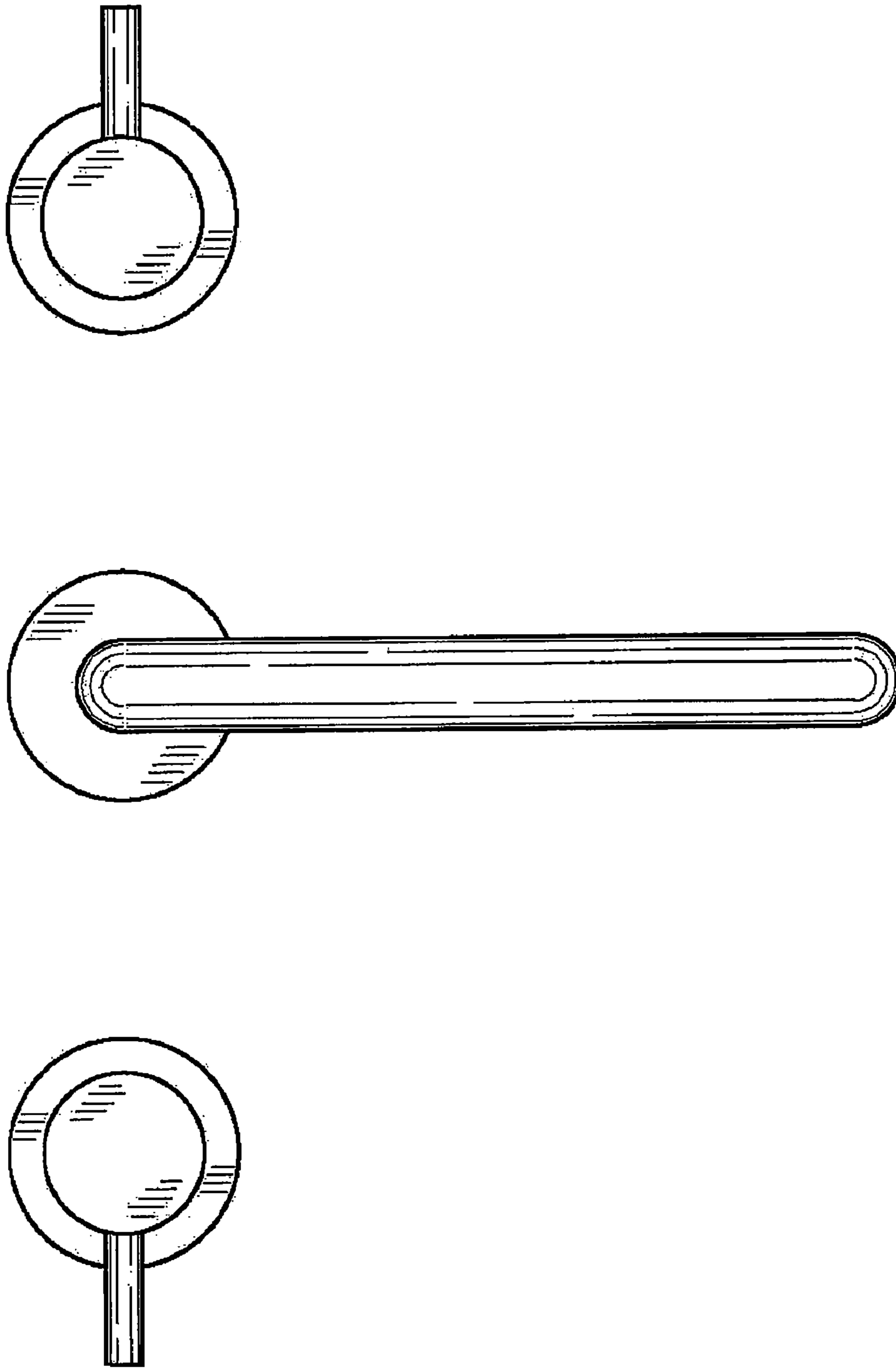


FIG. 6

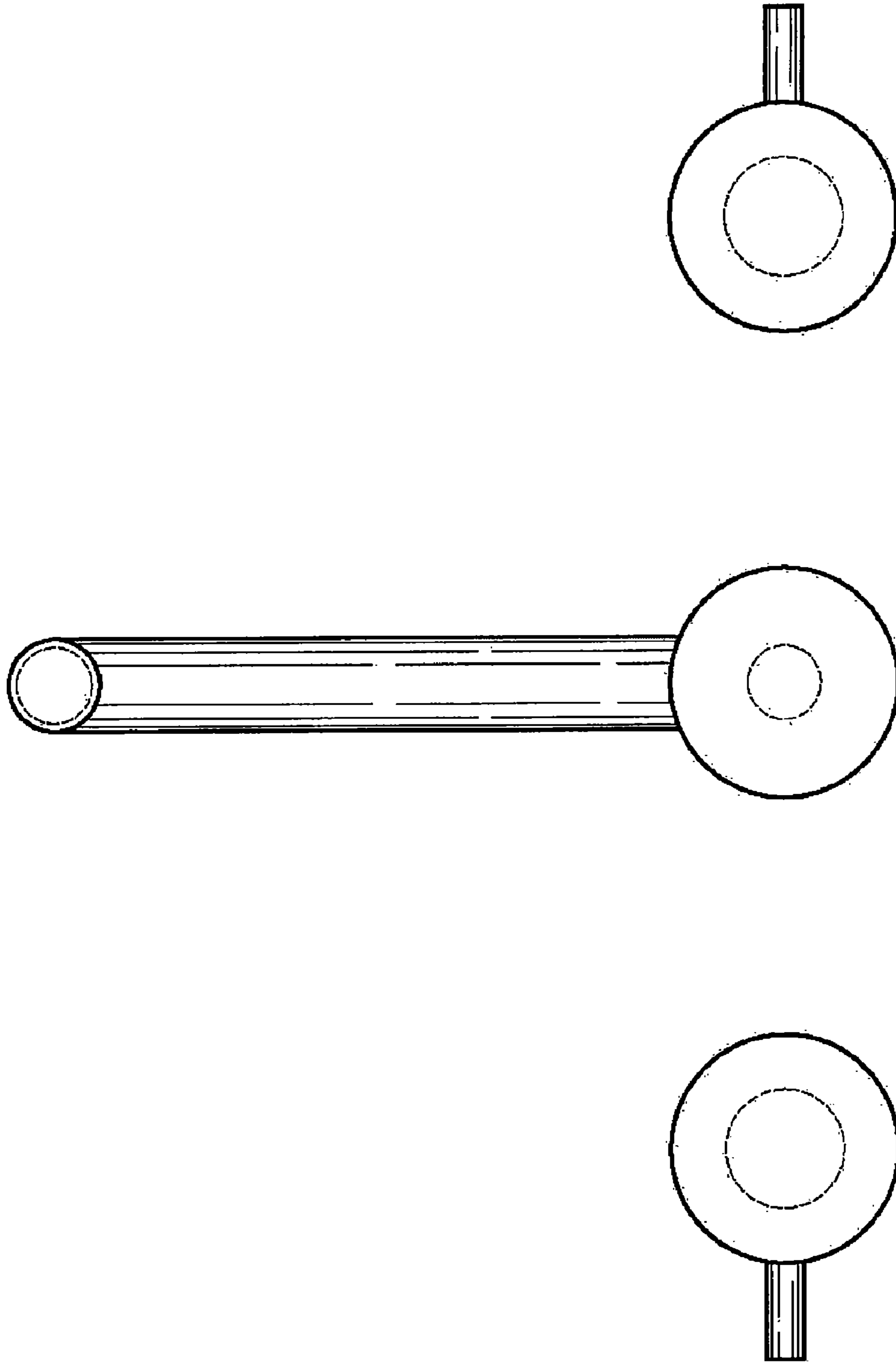


FIG. 7