



US00D624990S

(12) **United States Design Patent**
Joerger et al.

(10) **Patent No.:** **US D624,990 S**

(45) **Date of Patent:** **** Oct. 5, 2010**

(54) **FAUCET SET**

D580,521 S * 11/2008 Gessi D23/242
D601,227 S * 9/2009 Sieger D23/242
D602,123 S * 10/2009 Sieger D23/242

(76) Inventors: **Carsten Joerger**, Oberrottweilerstrasse
14, D-68239 Mannheim (DE); **Oliver
Joerger**, Donnersbergstrasse 9, D-68163
Mannheim (DE)

* cited by examiner

Primary Examiner—T. Chase Nelson
Assistant Examiner—Mark Cavanna
(74) *Attorney, Agent, or Firm*—Horst M. Kasper

(**) Term: **14 Years**

(21) Appl. No.: **29/348,521**

(57) **CLAIM**

(22) Filed: **Jan. 14, 2010**

The ornamental design for a faucet set, as shown and described.

(51) **LOC (9) Cl.** **23-01**

(52) **U.S. Cl.** **D23/242**

(58) **Field of Classification Search** D23/200,
D23/238–257; D6/512, 546, 550; D8/300,
D8/307–308, 310–312, 321; 4/675–678;
137/801; 16/110.1, 441

DESCRIPTION

See application file for complete search history.

FIG. 1 is a front perspective view of a faucet set showing our new design;

FIG. 2 is a front elevational view thereof;

FIG. 3 is a rear elevational view thereof;

FIG. 4 is a top plan view thereof;

FIG. 5 is a bottom plan view thereof;

FIG. 6 is a right side elevational view thereof; and,

FIG. 7 is a left side elevational view thereof.

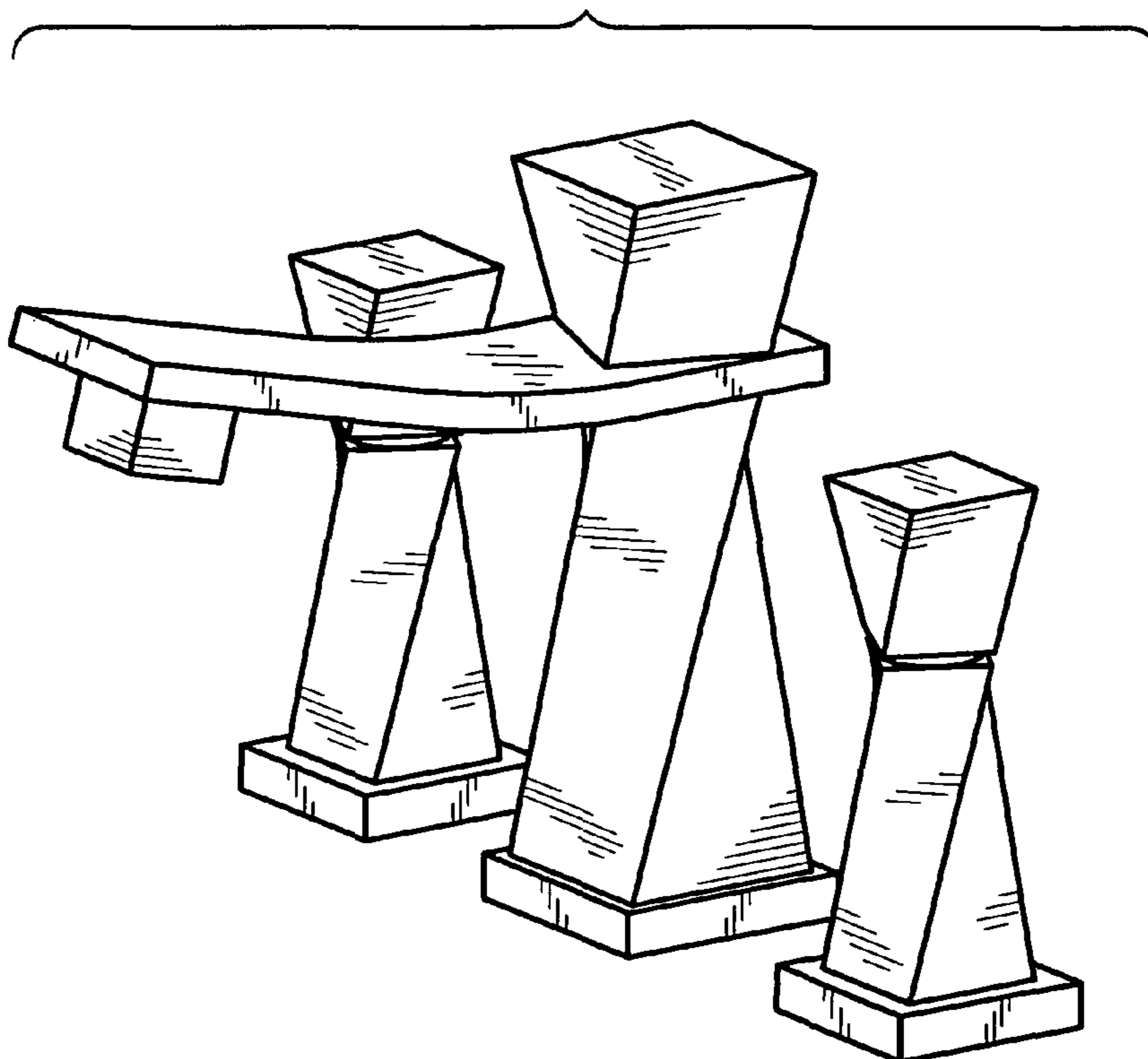
The broken lines shown are included for the purpose of illustrating a portion of the faucet set that forms no part of the claimed design.

(56) **References Cited**

U.S. PATENT DOCUMENTS

D290,870 S * 7/1987 Paul D23/242
D297,756 S * 9/1988 Paul D23/242
D318,902 S * 8/1991 Razumov D23/242
D461,530 S * 8/2002 Moll D23/238
D511,201 S * 11/2005 Kulig et al. D23/238
D518,877 S * 4/2006 Kulig D23/241
D518,878 S * 4/2006 Thun D23/241
D532,872 S * 11/2006 Miyamoto D23/241

1 Claim, 6 Drawing Sheets



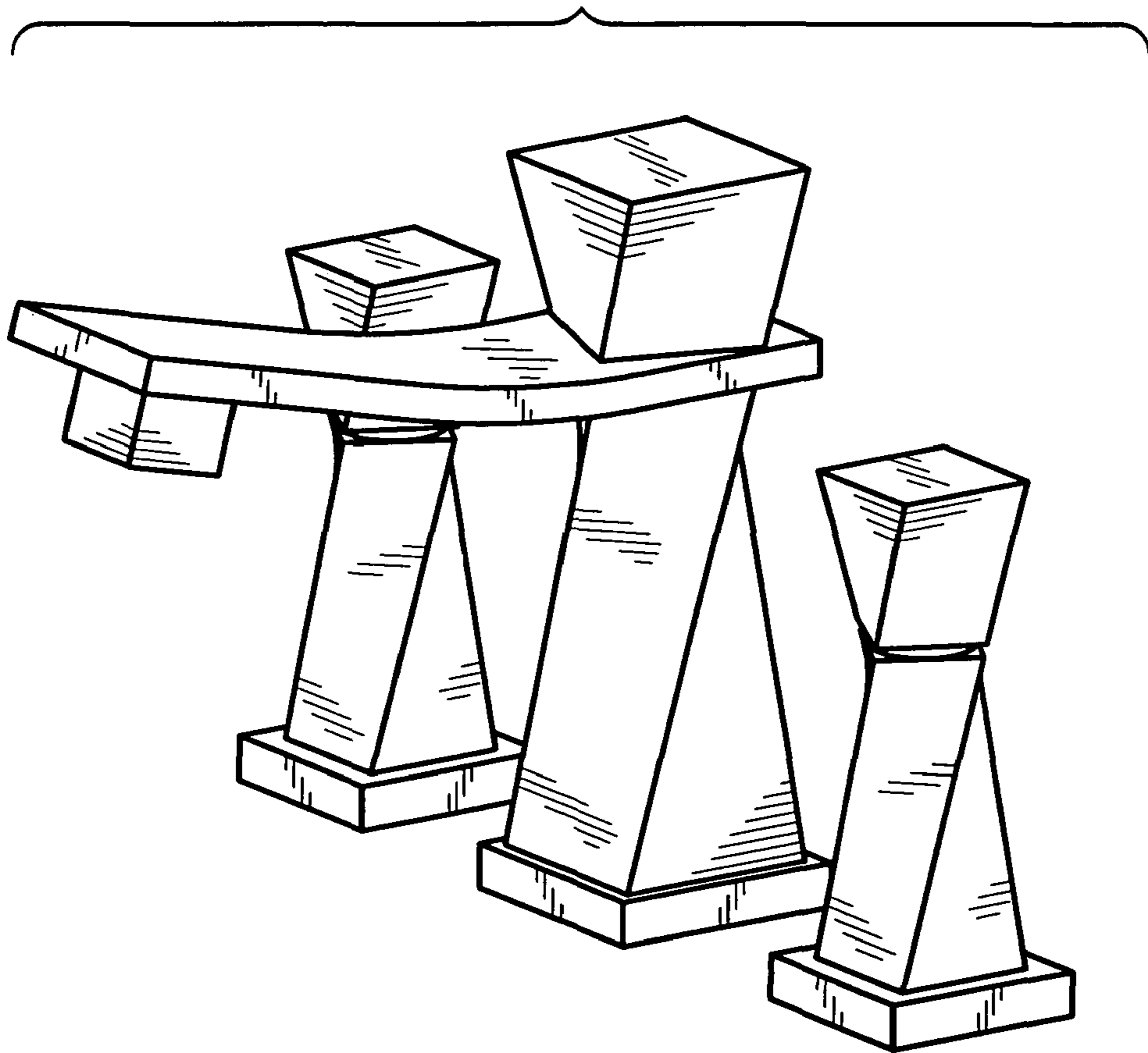


Fig. 1

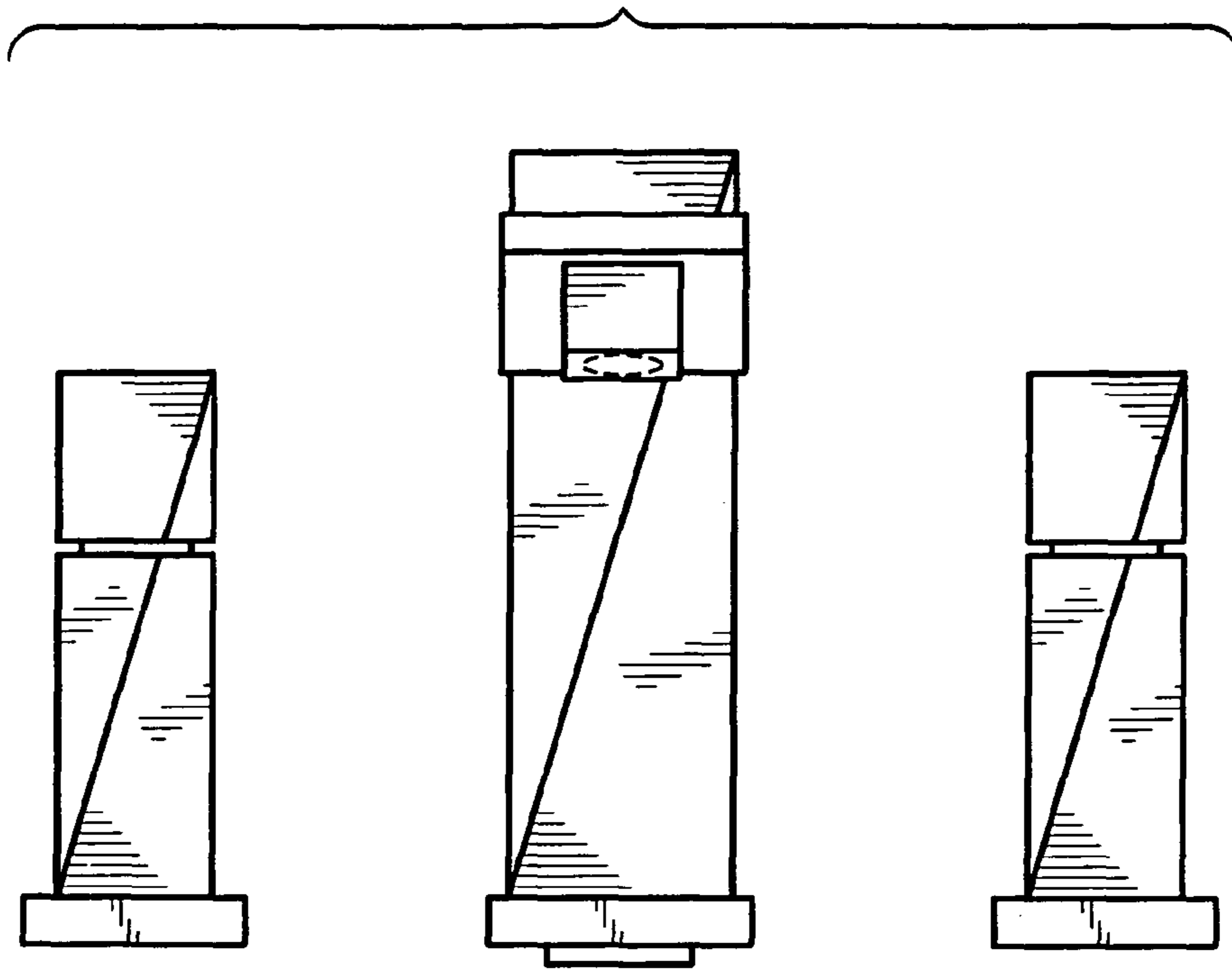


Fig.2

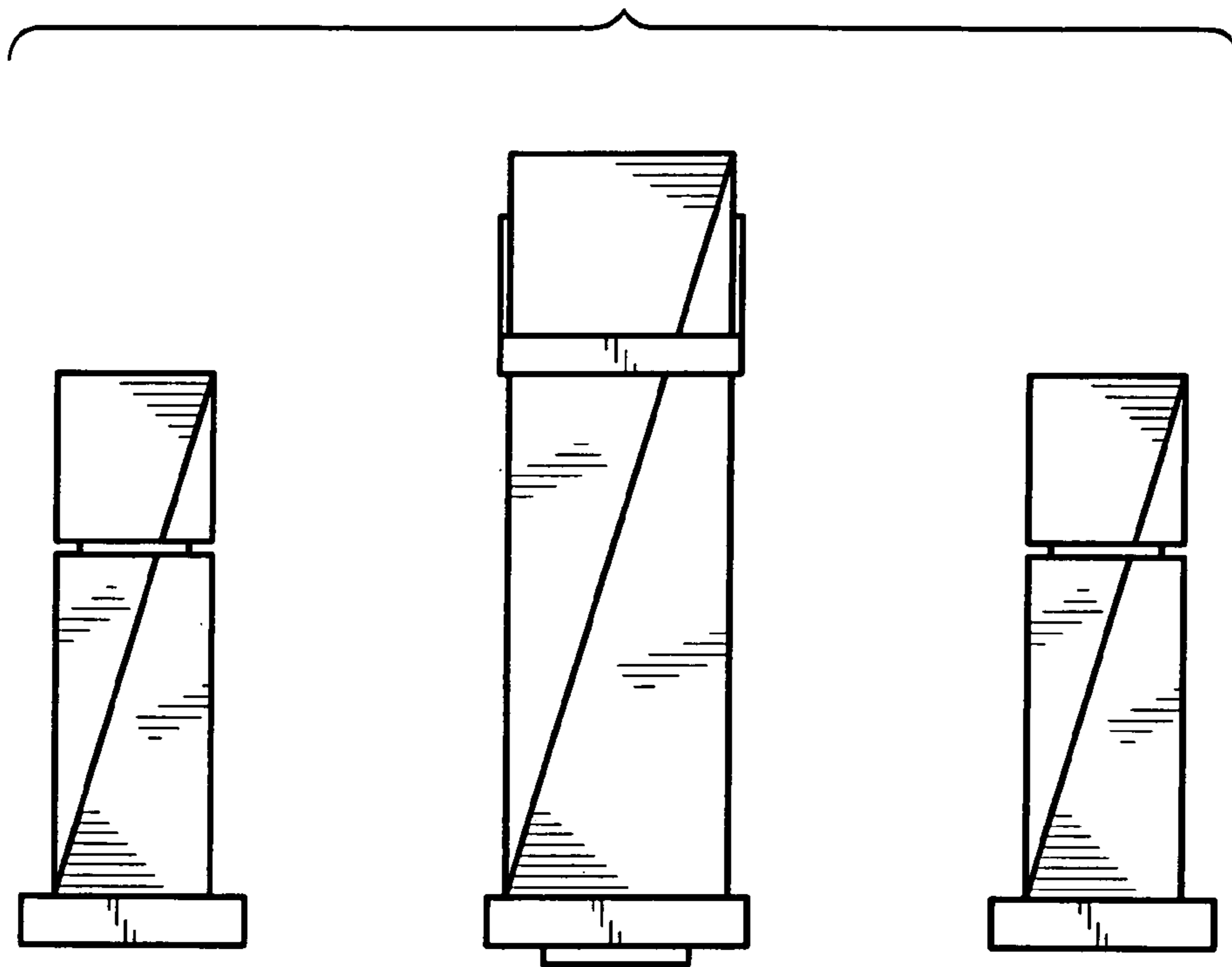


Fig.3

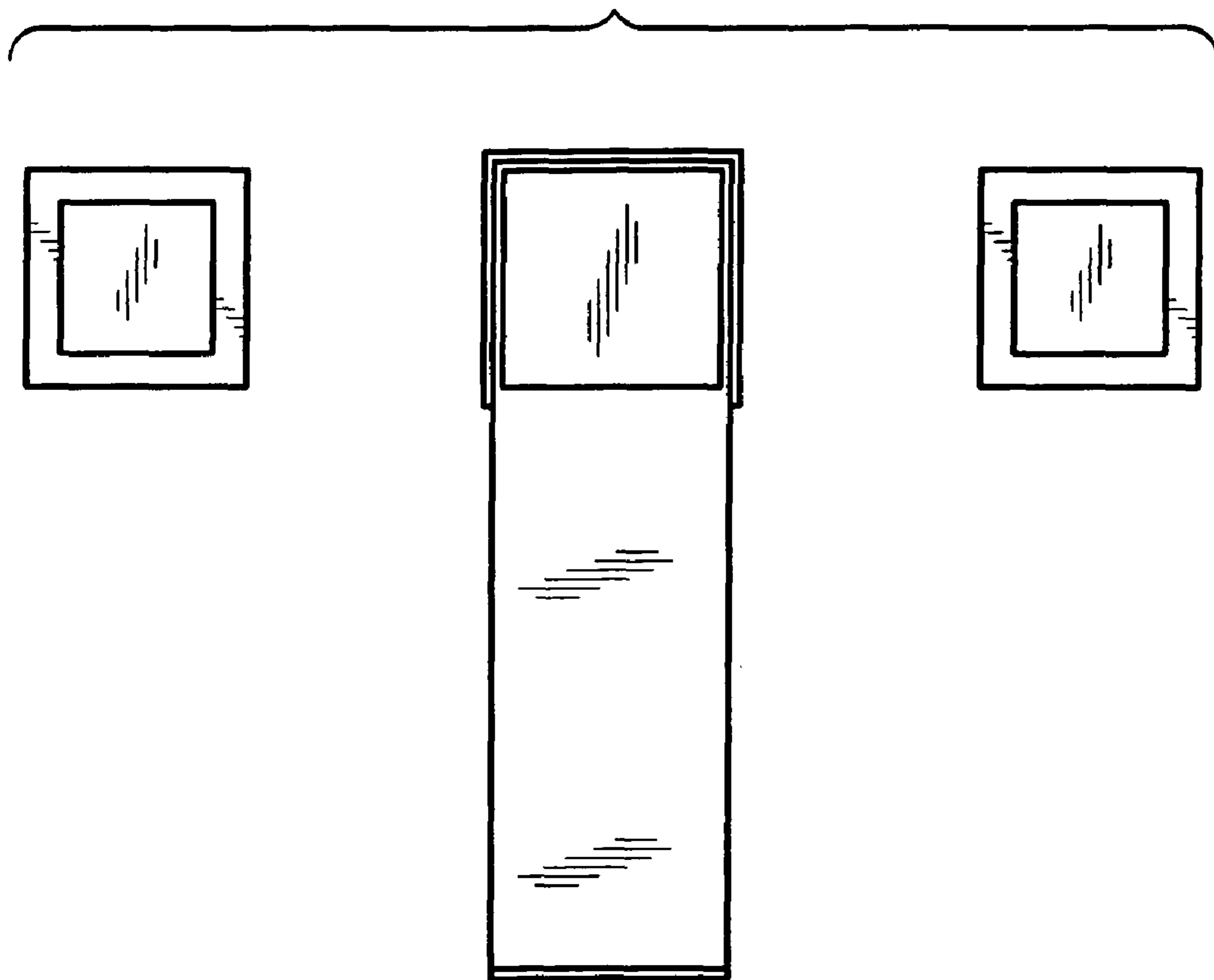


Fig.4

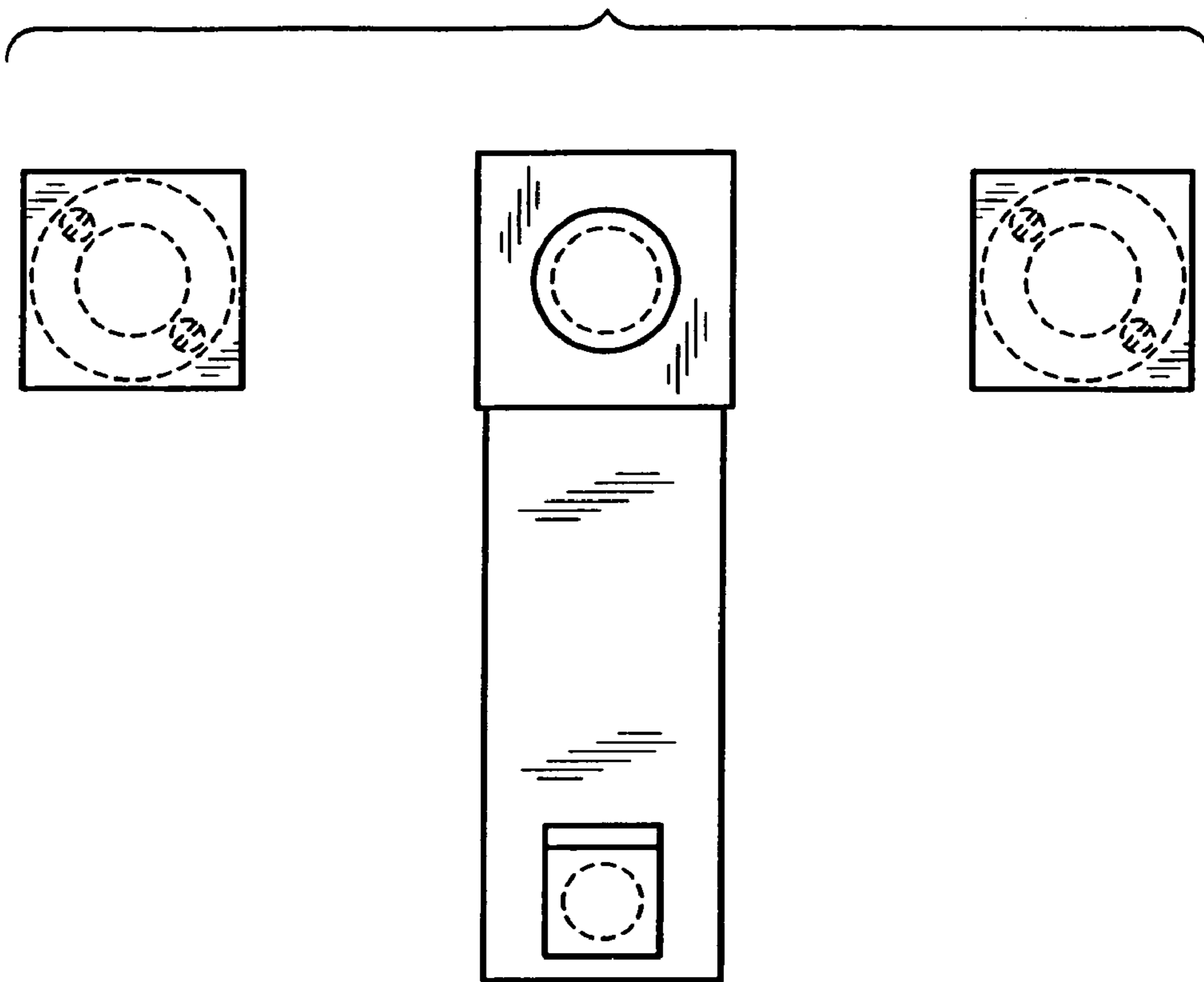


Fig.5

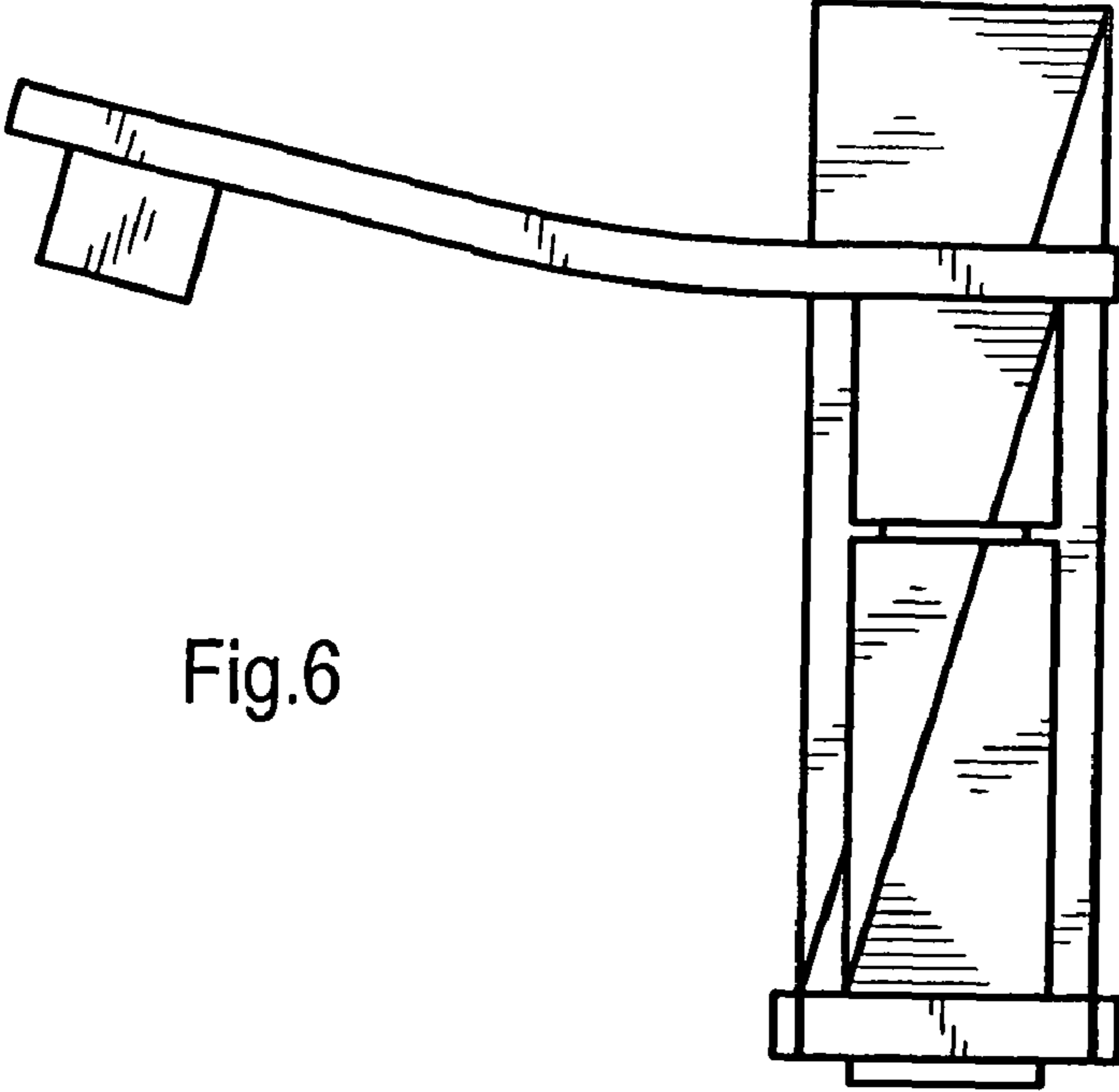


Fig.6

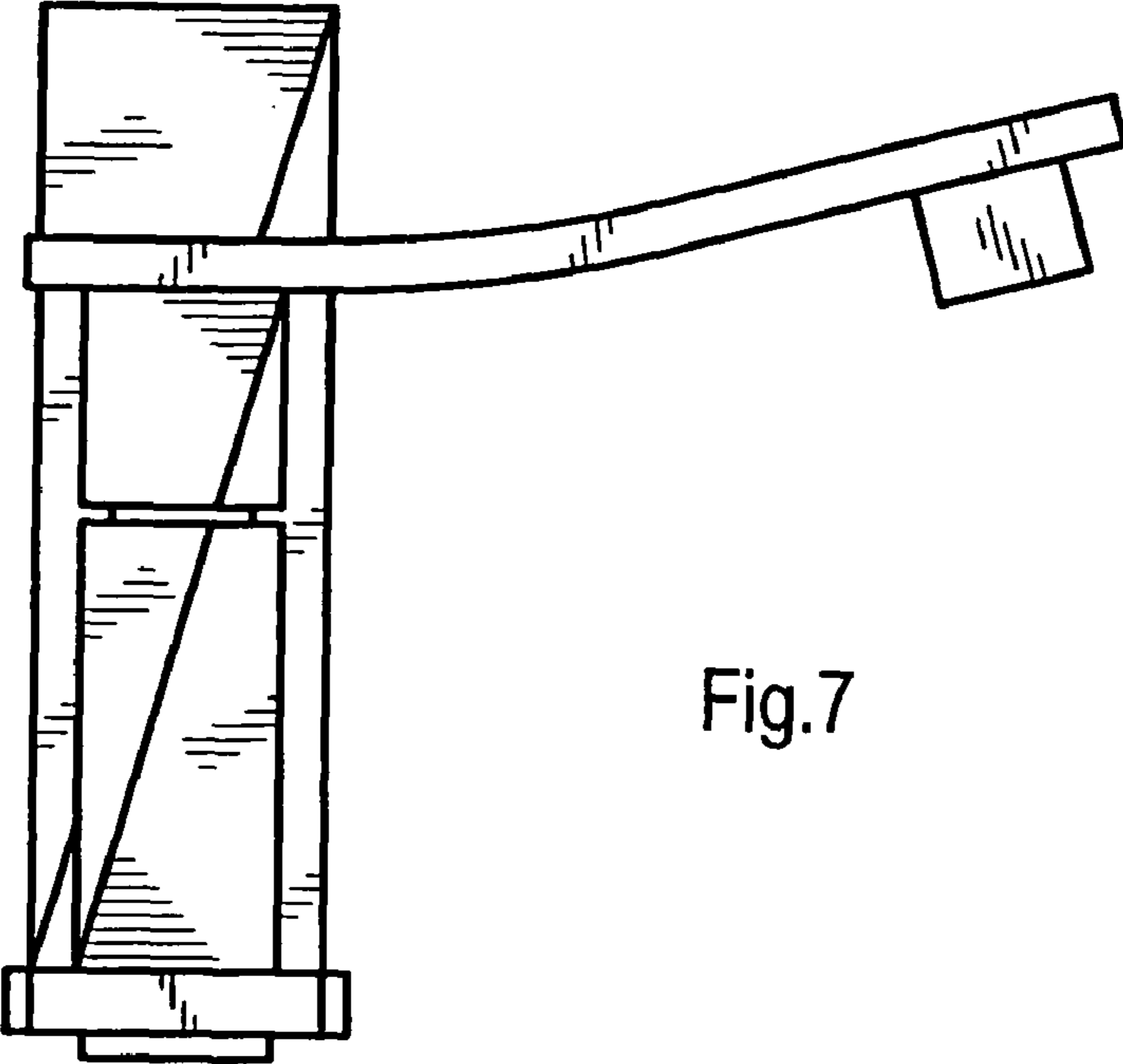


Fig.7