



US00D624989S

(12) **United States Design Patent**
Sieger

(10) **Patent No.:** **US D624,989 S**

(45) **Date of Patent:** **** Oct. 5, 2010**

(54) **SINGLE-HANDLE DECK-MOUNT FAUCET**

(75) Inventor: **Michael Sieger**, Sassenberg (DE)

(73) Assignee: **Aloys F. Dornbracht GmbH & Co. KG**, Iserlohn (DE)

(**) Term: **14 Years**

(21) Appl. No.: **29/359,970**

(22) Filed: **Apr. 19, 2010**

(30) **Foreign Application Priority Data**

Oct. 19, 2009 (EM) 001171987

(51) **LOC (9) Cl.** **23-01**

(52) **U.S. Cl.** **D23/238**

(58) **Field of Classification Search** D23/238,
D23/241–243, 250, 252, 255, 257; 4/675–678;
137/801

See application file for complete search history.

(56) **References Cited**

U.S. PATENT DOCUMENTS

D538,894 S * 3/2007 Hoernig D23/241

D613,374 S * 4/2010 Lammel et al. D23/238

D615,162 S * 5/2010 Pan D23/255

* cited by examiner

Primary Examiner—Robert A Delehanty

(74) *Attorney, Agent, or Firm*—Andrew Wilford

(57) **CLAIM**

The ornamental design for a single-handle deck-mount faucet, as shown and described.

DESCRIPTION

FIG. 1 is a perspective view from in front and to the left of the invention;

FIG. 2 is a perspective view from in front and to the right of the invention;

FIG. 3 is a side elevational view from the left of the invention;

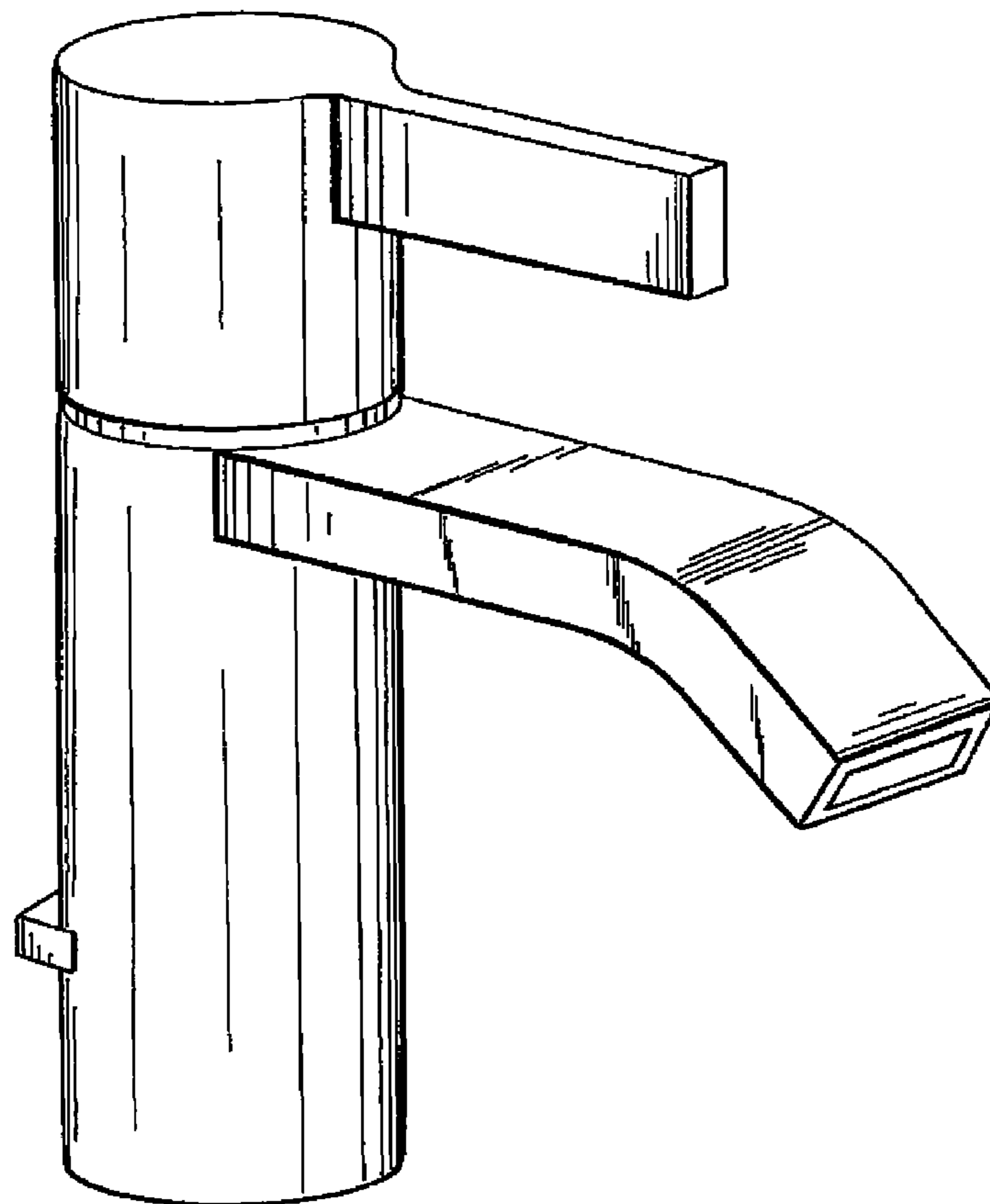
FIG. 4 is a rear elevational view of the invention in slightly smaller scale than FIG. 3;

FIG. 5 is a side elevational view from the right of the invention;

FIG. 6 is a front elevational view of the invention in slightly smaller scale than FIG. 3; and,

FIG. 7 is a top view of the invention.

1 Claim, 3 Drawing Sheets



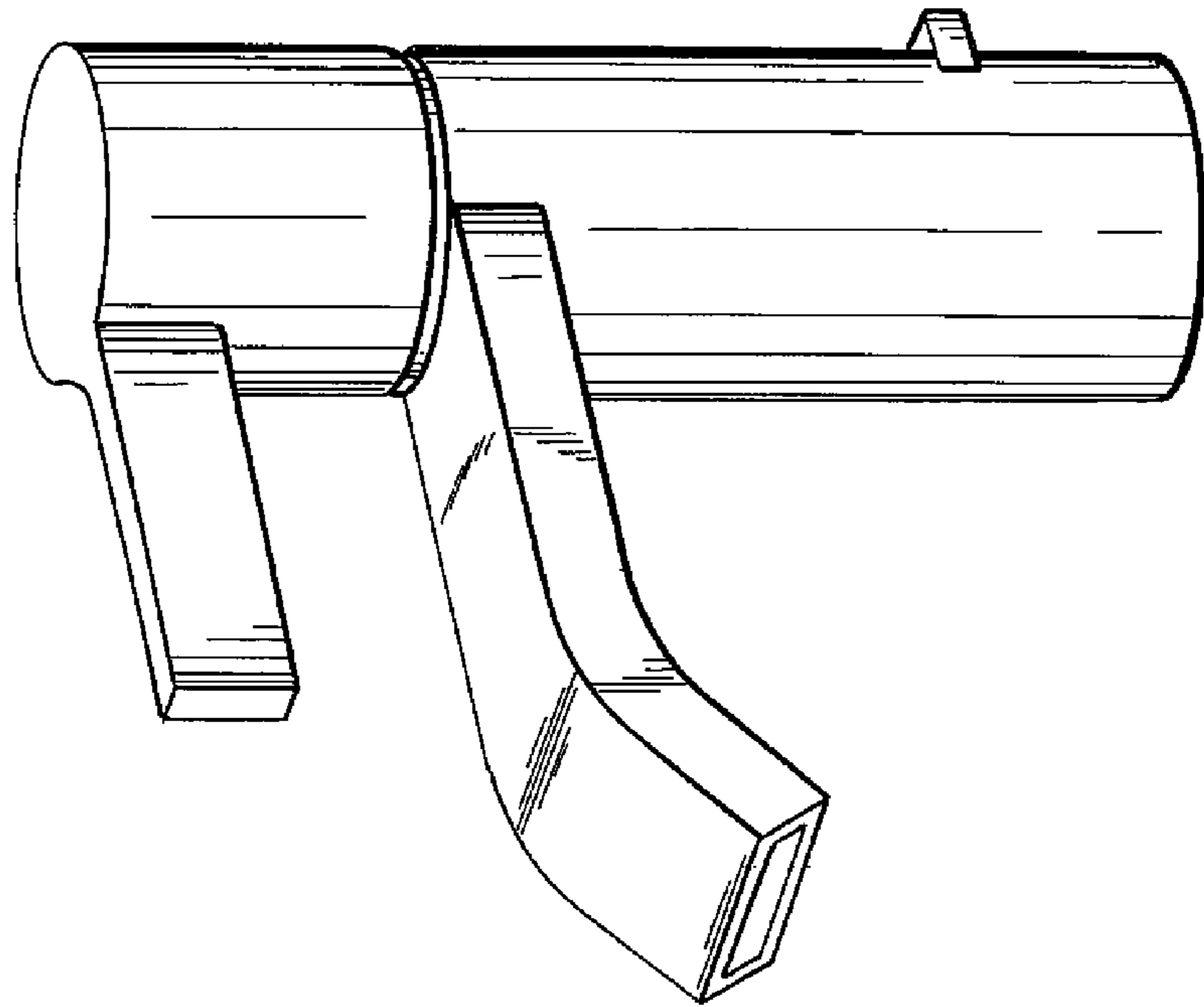


FIG. 2

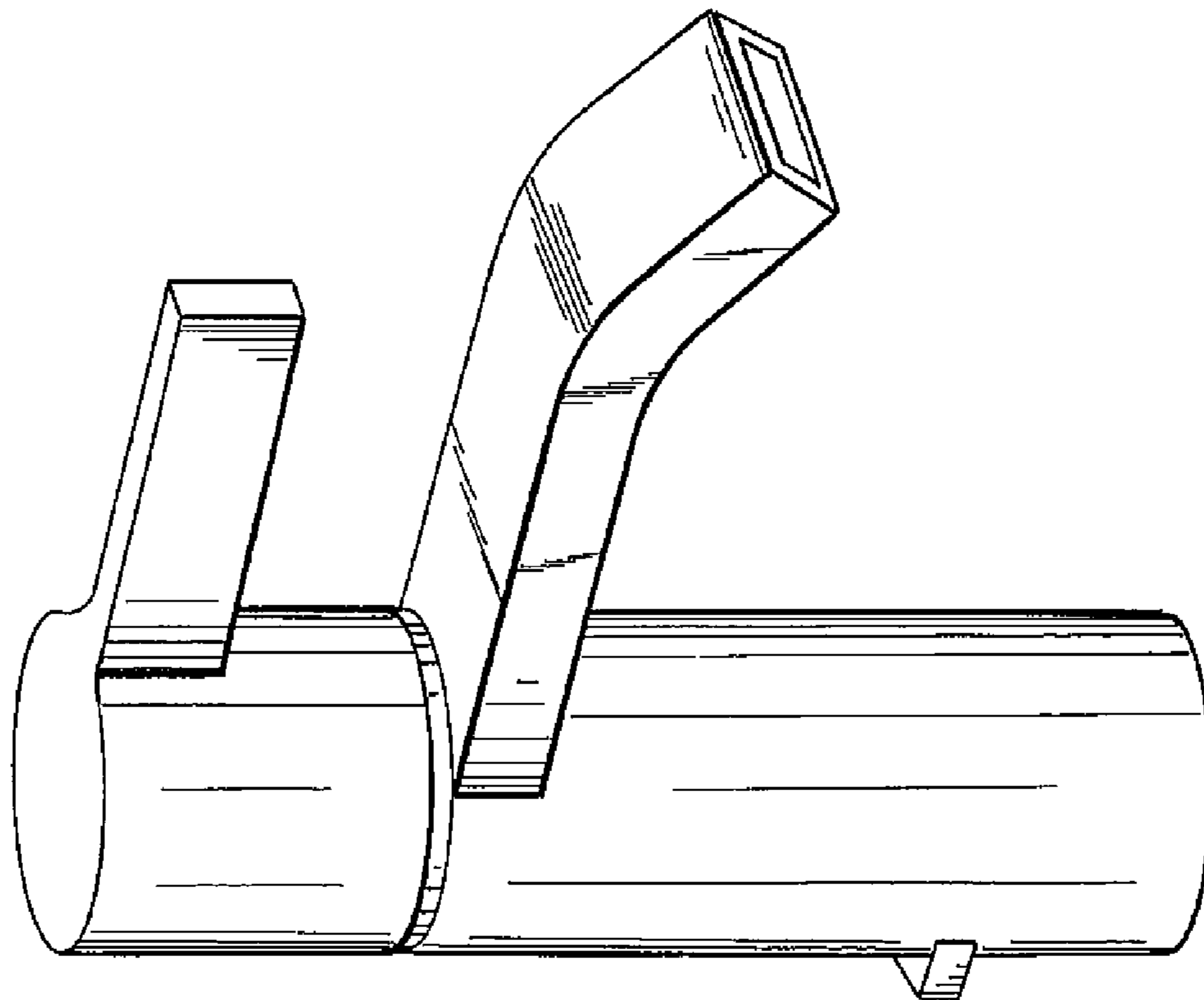


FIG. 1

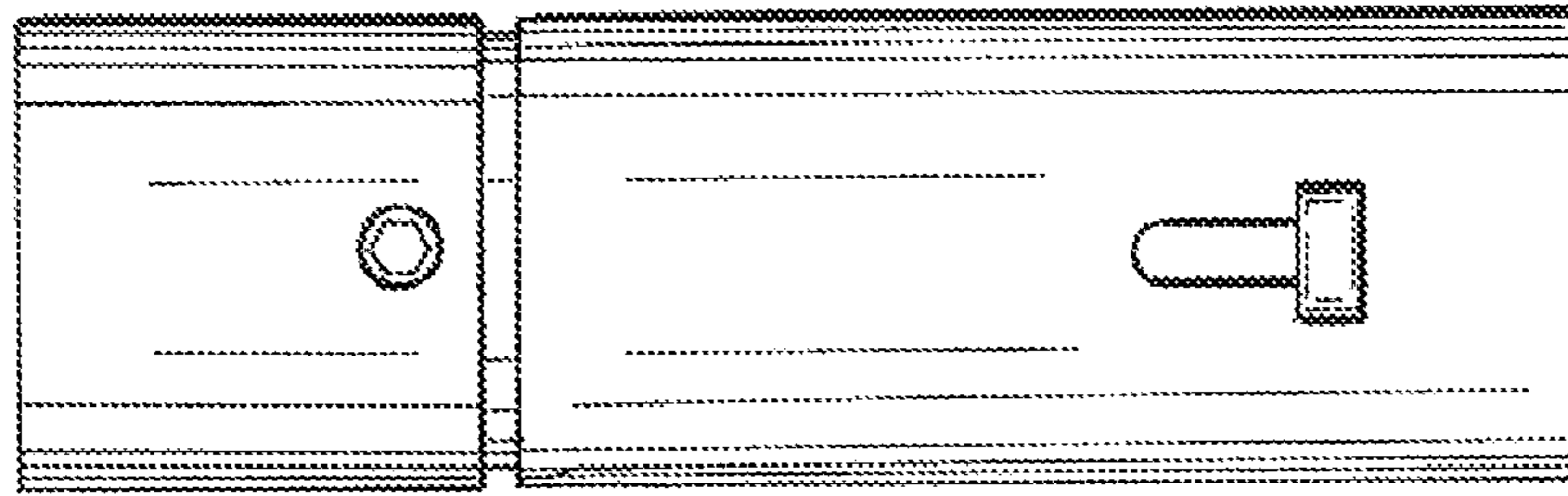


FIG. 4

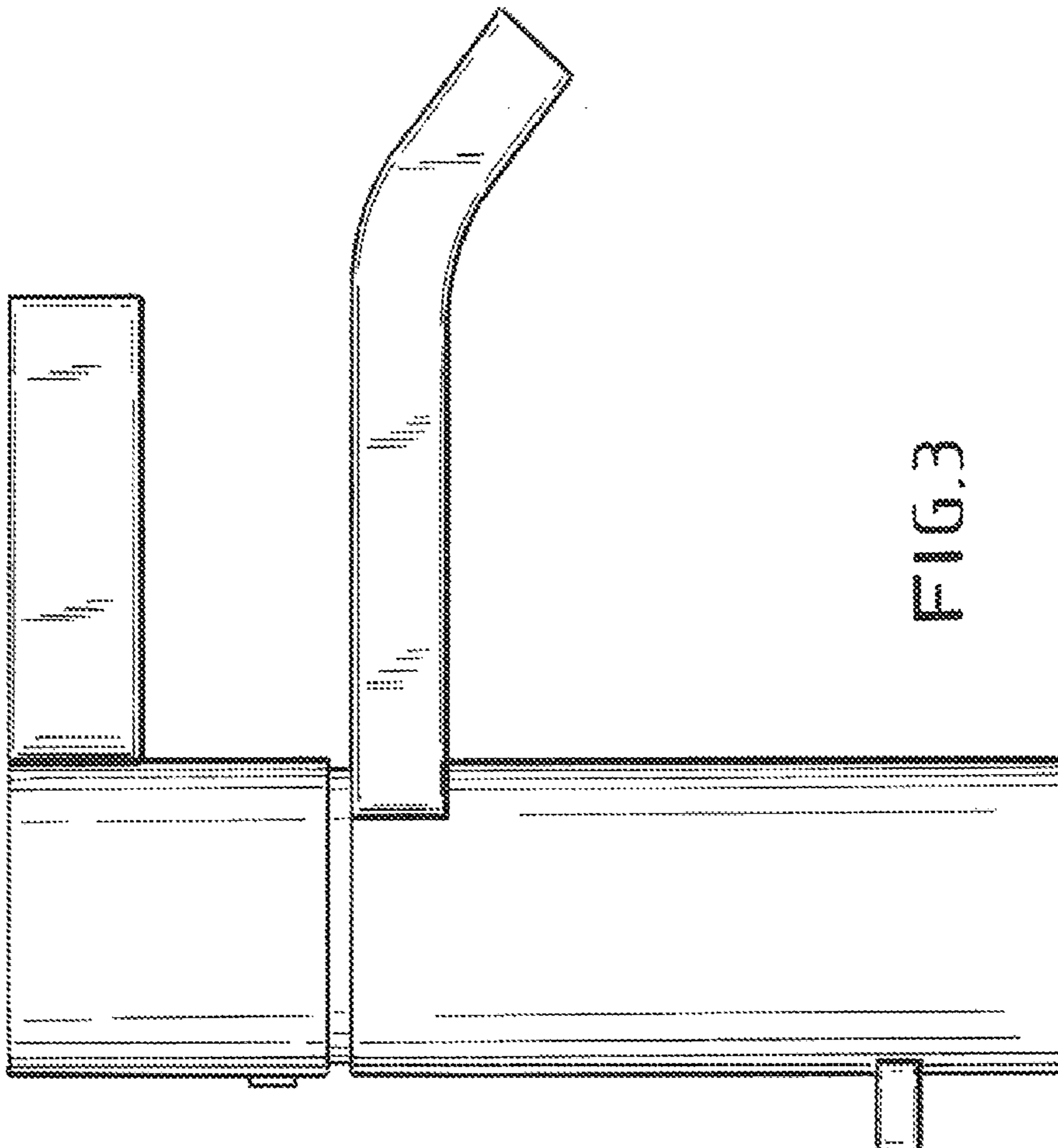


FIG. 3

FIG.6

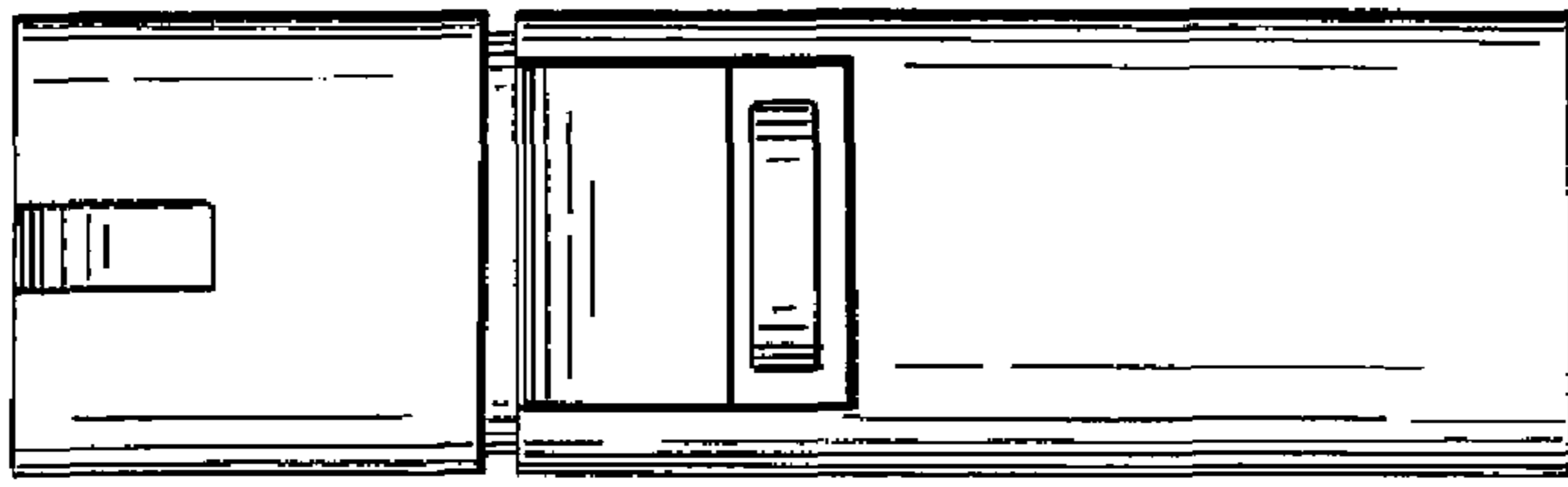


FIG.7

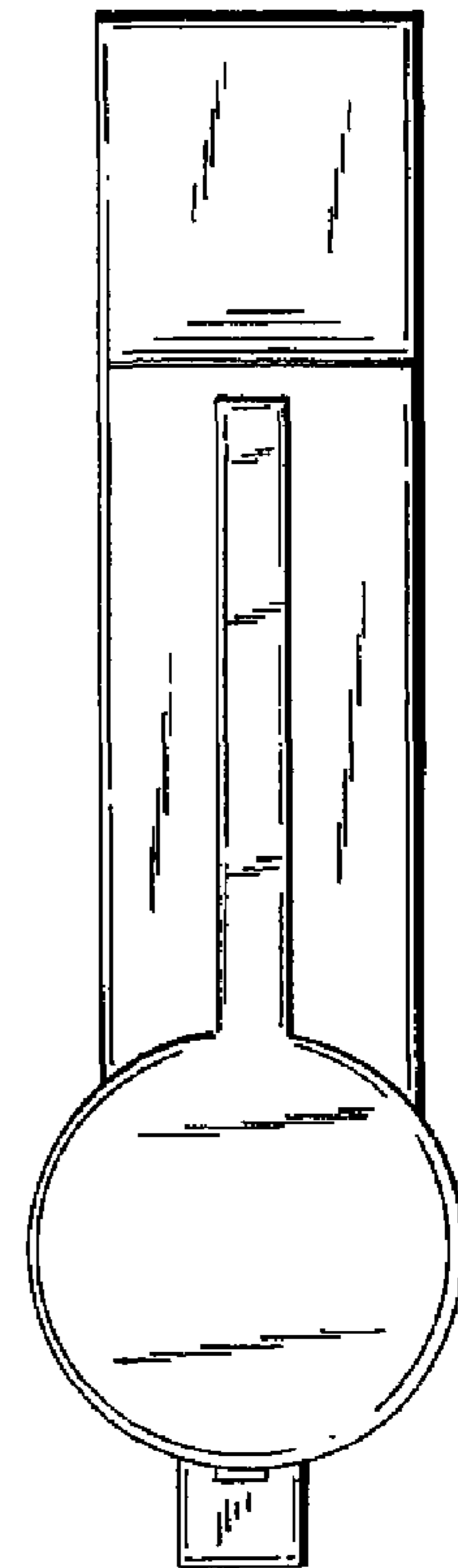


FIG.5

