



US00D624988S

(12) **United States Design Patent**  
**Lammel et al.**

(10) **Patent No.:** **US D624,988 S**

(45) **Date of Patent:** **\*\* Oct. 5, 2010**

(54) **FAUCET**

(75) Inventors: **Michael Lammel**, Aachen (DE);  
**Michael Zeisel**, Aachen (DE)

(73) Assignee: **KWC AG**, Unterkulm (CH)

(\*\*) Term: **14 Years**

(21) Appl. No.: **29/335,503**

(22) Filed: **Apr. 16, 2009**

(30) **Foreign Application Priority Data**

Nov. 20, 2008 (WO) ..... 469898901

(51) **LOC (9) Cl.** ..... **23-01**

(52) **U.S. Cl.** ..... **D23/238**

(58) **Field of Classification Search** ..... D23/200,  
D23/238-257; D6/512, 546, 550; D8/300,  
D8/307-308, 310-312, 321; 4/675-678;  
137/801; 16/110.1, 441

See application file for complete search history.

(56) **References Cited**

**U.S. PATENT DOCUMENTS**

D466,977 S	*	12/2002	Cummings	.....	D23/238
D487,133 S	*	2/2004	Haug et al.	.....	D23/238
D517,647 S	*	3/2006	Kulig	.....	D23/238
D527,074 S		8/2006	Lammel et al.		
D528,188 S	*	9/2006	Lammel et al.	.....	D23/238
D528,635 S		9/2006	Lammel et al.		
D528,636 S	*	9/2006	Latoracca	.....	D23/238
D529,131 S	*	9/2006	Haug et al.	.....	D23/238
D529,991 S	*	10/2006	Egli et al.	.....	D23/238
D531,699 S	*	11/2006	Haug et al.	.....	D23/238

D548,308 S	*	8/2007	Hoernig	.....	D23/238
D550,813 S		9/2007	Lammel et al.		
D572,797 S	*	7/2008	Kubler	.....	D23/238
D577,104 S	*	9/2008	Latorraca	.....	D23/238
D579,081 S	*	10/2008	Ziemann et al.	.....	D23/238
D586,881 S		2/2009	Lammel et al.		
D591,398 S		4/2009	Lammel et al.		
D594,936 S	*	6/2009	Schoenherr et al.	.....	D23/238
D598,071 S	*	8/2009	Lammel et al.	.....	D23/238

**OTHER PUBLICATIONS**

U.S. Appl. No. 29/309,648, filed Sep. 19, 2008, Lammel, et al.  
U.S. Appl. No. 29/309,652, filed Sep. 22, 2008, Lammel, et al.  
U.S. Appl. No. 29/335,503, filed Apr. 16, 2009, Lammel, et al.  
U.S. Appl. No. 29/311,904, filed Jul. 29, 2009, Lammel, et al.

\* cited by examiner

*Primary Examiner*—T. Chase Nelson

*Assistant Examiner*—Mark Cavanna

(74) *Attorney, Agent, or Firm*—Oblon, Spivak, McClelland,  
Maier & Neustadt, L.L.P.

(57) **CLAIM**

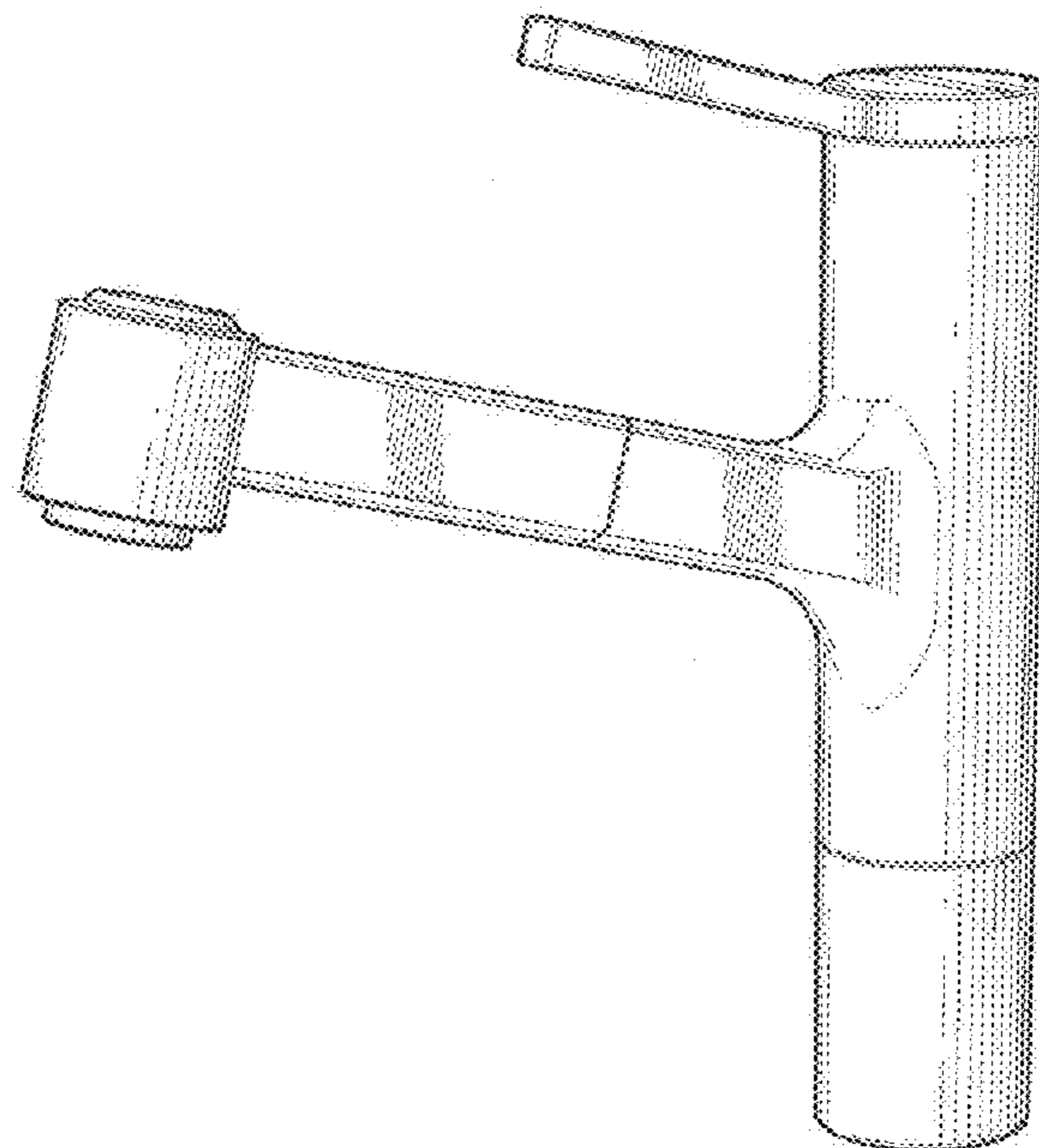
The ornamental design for a faucet, as shown and described.

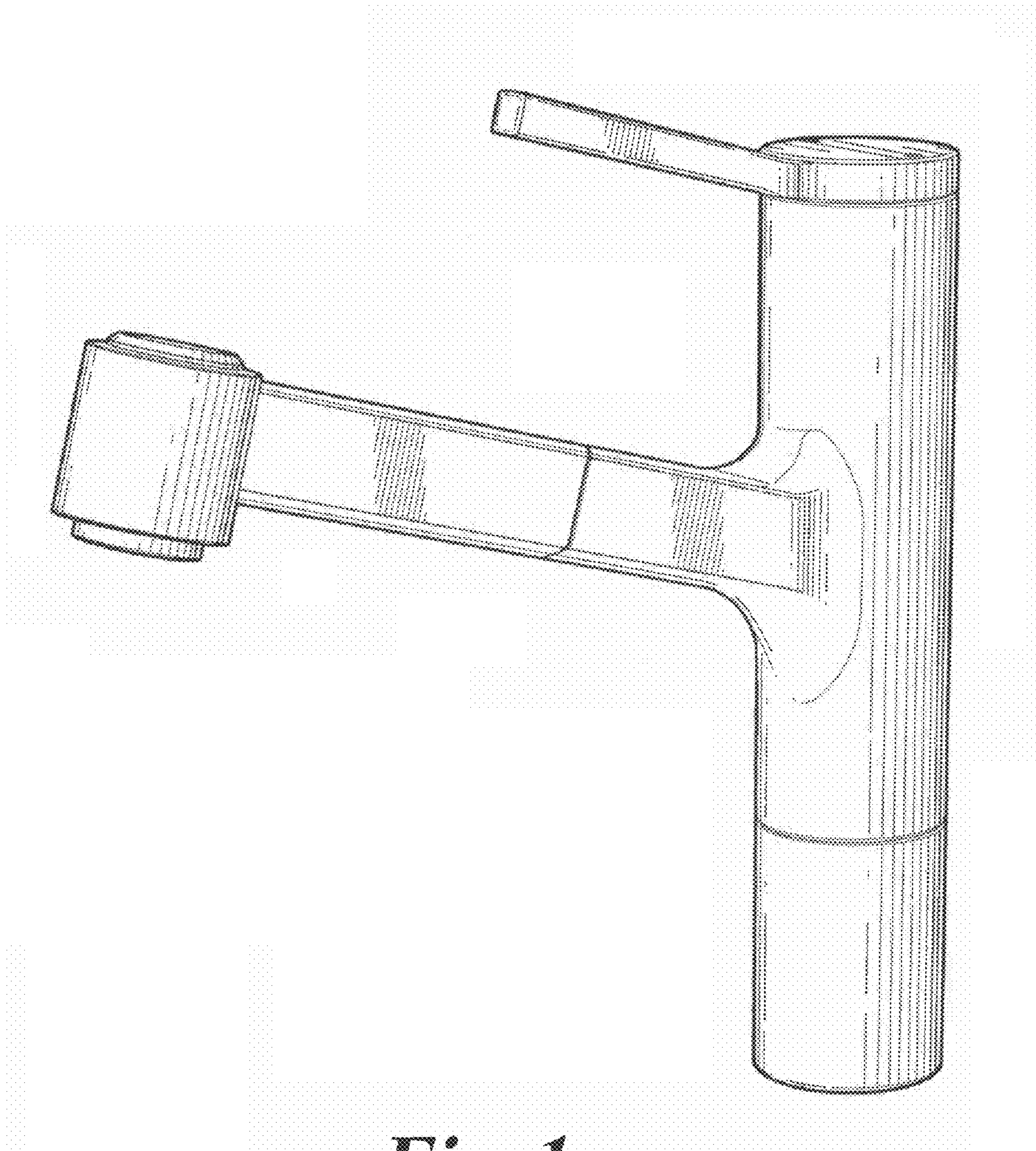
**DESCRIPTION**

FIG. 1 is a front, right, and top perspective view of a faucet;  
FIG. 2 is a right side elevational view thereof, the left side  
elevational view being a mirror image of the view shown;  
FIG. 3 is a front elevational view thereof; and,  
FIG. 4 is a top plan view thereof.

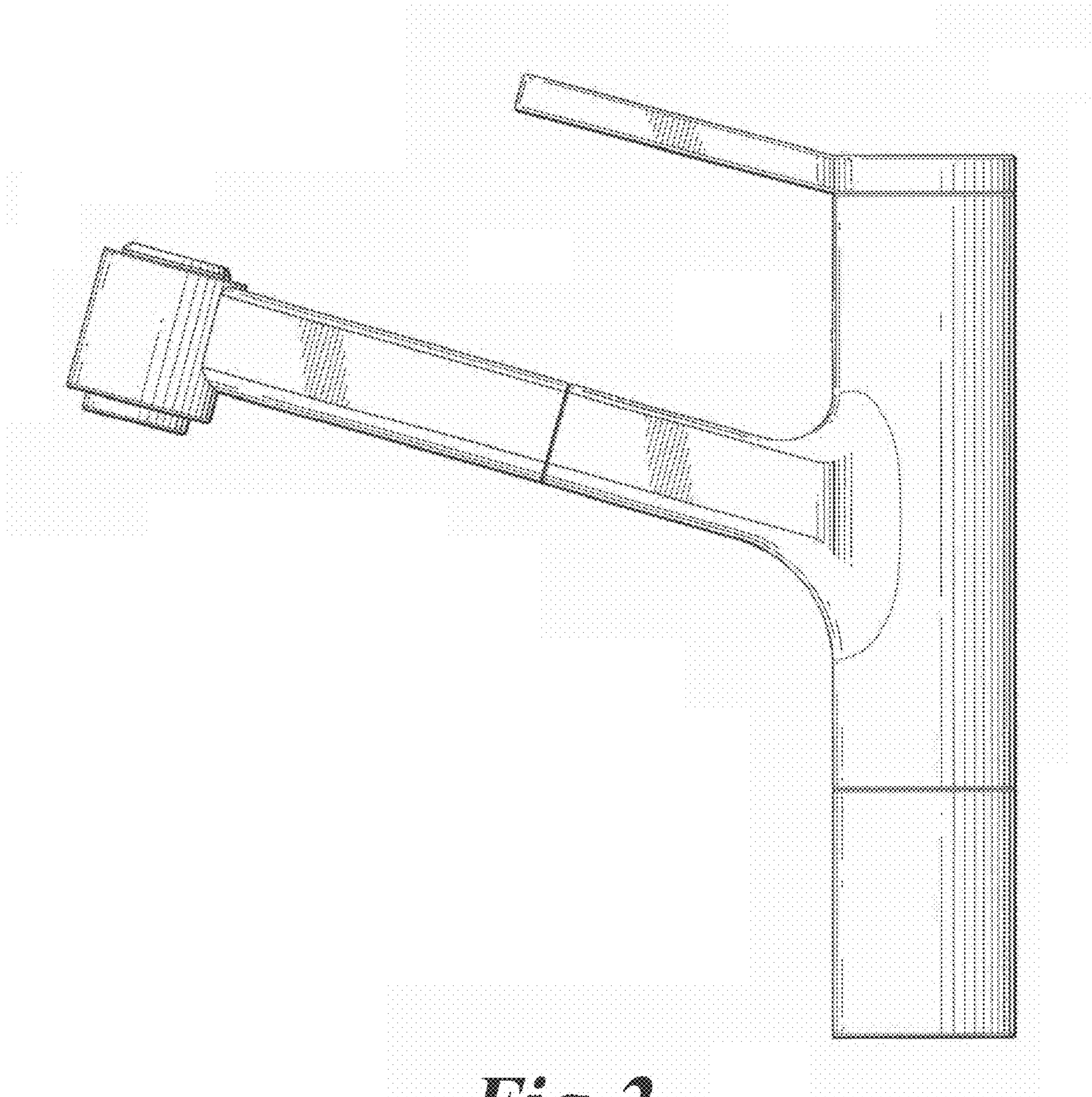
The broken lines in the drawings depict environmental sub-  
ject matter only and form no part of the claimed design.

**1 Claim, 4 Drawing Sheets**

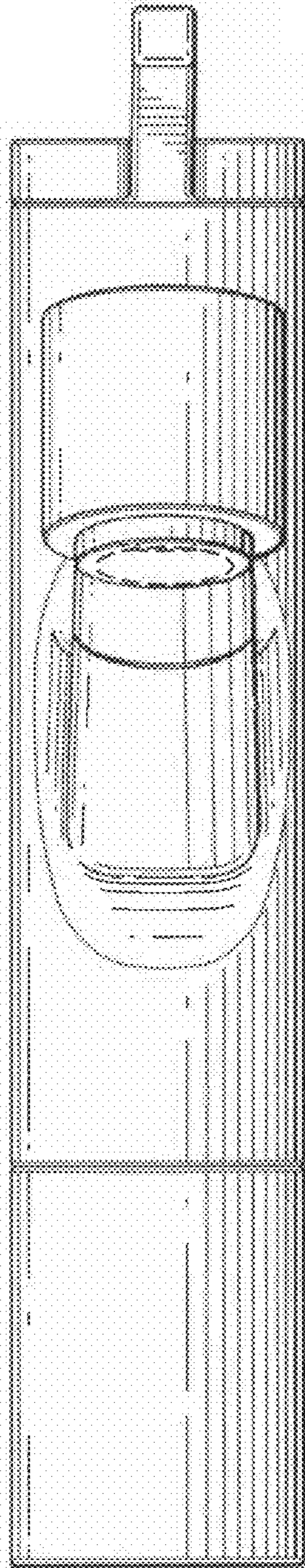




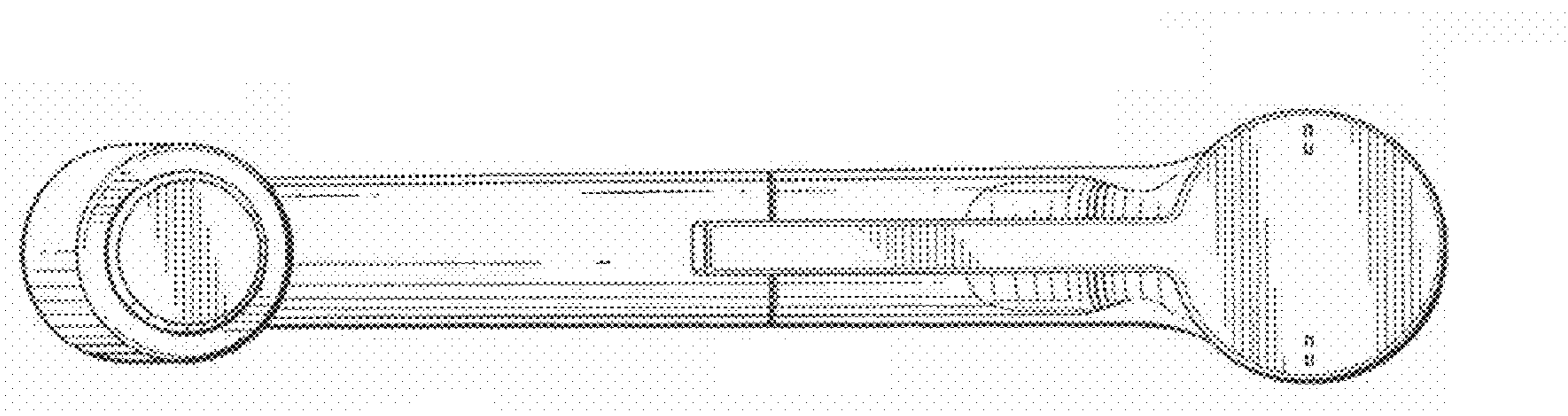
*Fig. 1*



*Fig. 2*



*Fig. 3*



*Fig. 4*