



US00D624987S

(12) **United States Design Patent**
Van De Moosdisk

(10) **Patent No.:** **US D624,987 S**
(45) **Date of Patent:** **** Oct. 5, 2010**

(54) **DUST CAP**

(75) Inventor: **Frank Van De Moosdisk**, Westmaas
(NL)

(73) Assignee: **Pelican Worldwide, Inc.**, Houston, TX
(US)

(**) Term: **14 Years**

(21) Appl. No.: **29/314,783**

(22) Filed: **Apr. 29, 2009**

(51) **LOC (9) Cl.** **23-01**

(52) **U.S. Cl.** **D23/235**

(58) **Field of Classification Search** D23/233–237,
D23/259, 260; 137/72, 74, 493.5, 493.6;
220/89.4, 200, 201, 204, 202, 203.24
See application file for complete search history.

(56) **References Cited**

U.S. PATENT DOCUMENTS

| | | | | | |
|-----------|------|---------|----------------|-------|---------|
| 3,476,154 | A * | 11/1969 | Ludeman | | 138/89 |
| 4,139,005 | A * | 2/1979 | Dickey | | 138/89 |
| 4,318,495 | A * | 3/1982 | Wood | | 220/375 |
| 5,791,367 | A * | 8/1998 | Hackman et al. | | 137/74 |
| 6,145,530 | A | 11/2000 | Fernandez | | |
| 6,619,497 | B2 * | 9/2003 | Freiler | | 220/201 |
| D614,736 | S * | 4/2010 | Freiler | | D23/260 |

OTHER PUBLICATIONS

U.S. Appl. No. 29/314,194, filed Mar. 12, 2009, Freiler.

* cited by examiner

Primary Examiner—Cathron C. Brooks

Assistant Examiner—Maurice Stevens

(74) *Attorney, Agent, or Firm*—The Compton Law Firm, P.C.;
Scott D. Compton

(57) **CLAIM**

The ornamental design for a dust cap, as shown and described.

DESCRIPTION

FIG. 1 is a perspective view of a dust cap showing my new design;

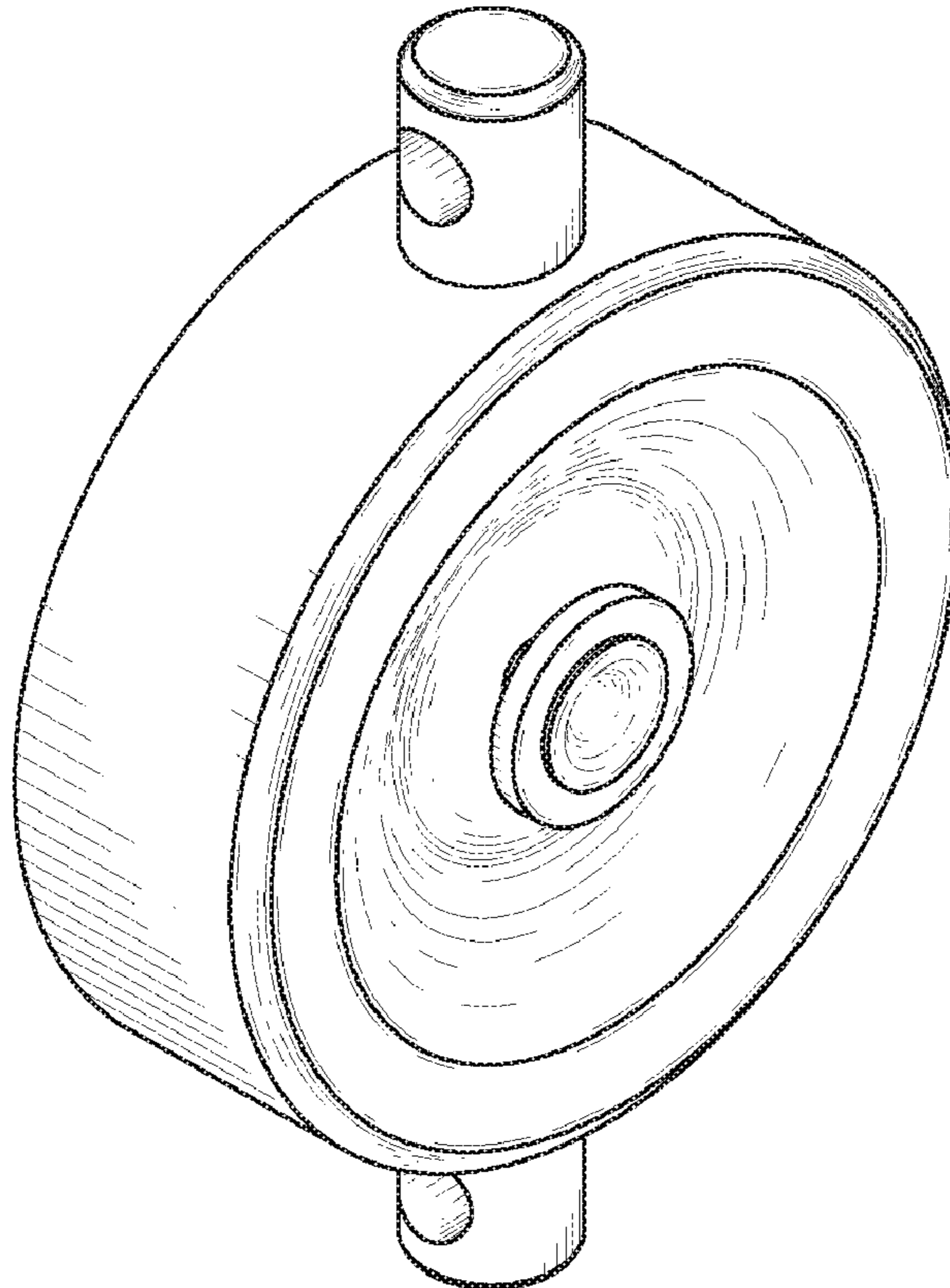
FIG. 2 is a front view of the same; the front and back being mirror images of one another;

FIG. 3 is a side view of the same, the left and right sides being mirror images of one another;

FIG. 4 is a top view of the same; and,

FIG. 5 is a perspective view of the dust cap, wherein the broken lines shown are included for the purpose of illustrating environmental structure that forms no part of the claimed design.

1 Claim, 3 Drawing Sheets



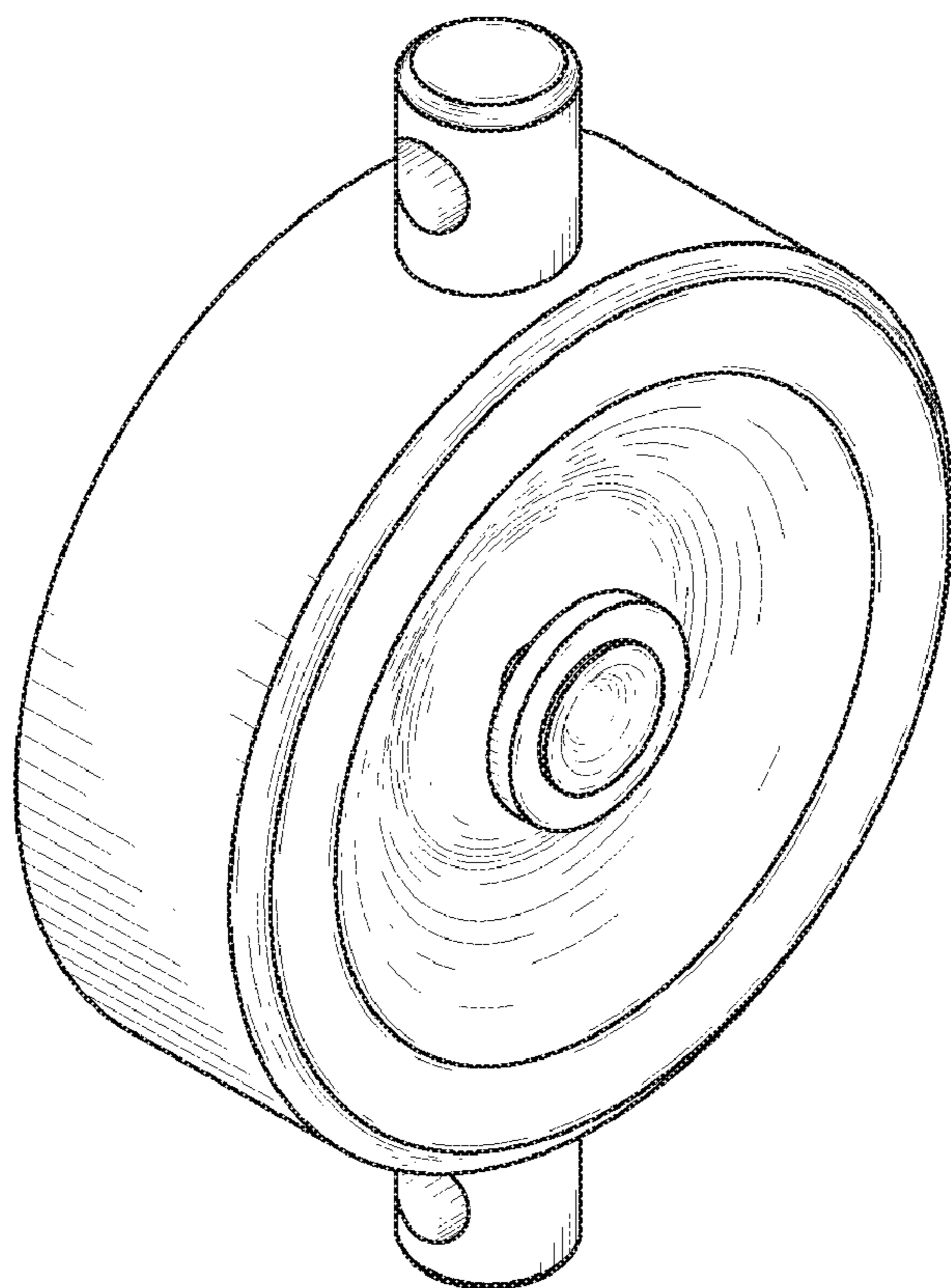


FIG. 1

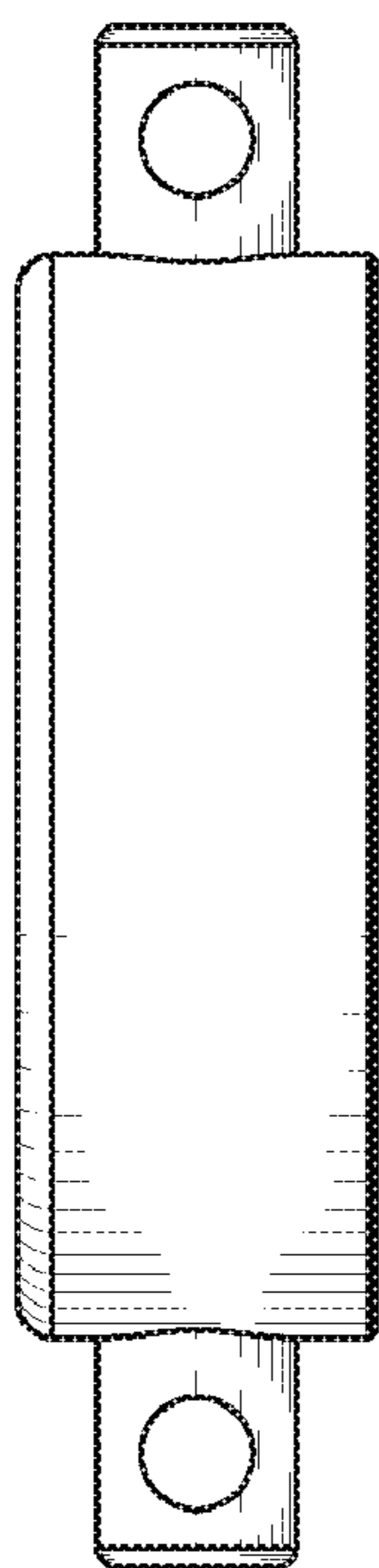


FIG. 2

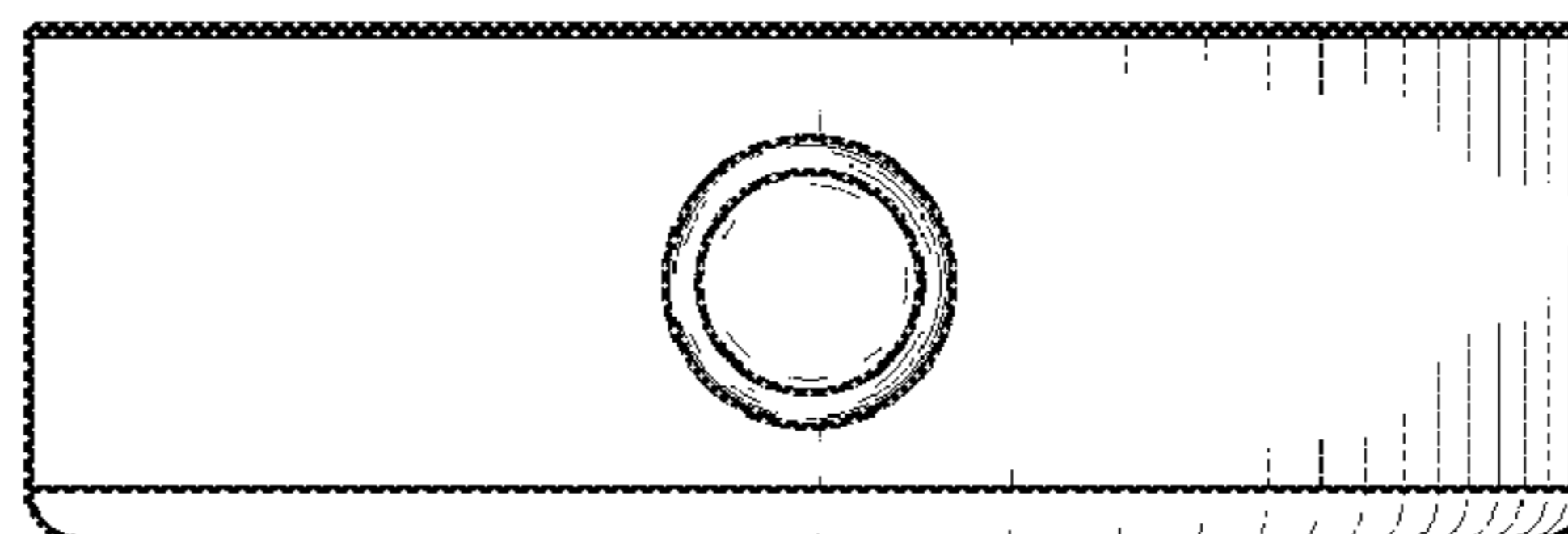


FIG. 3

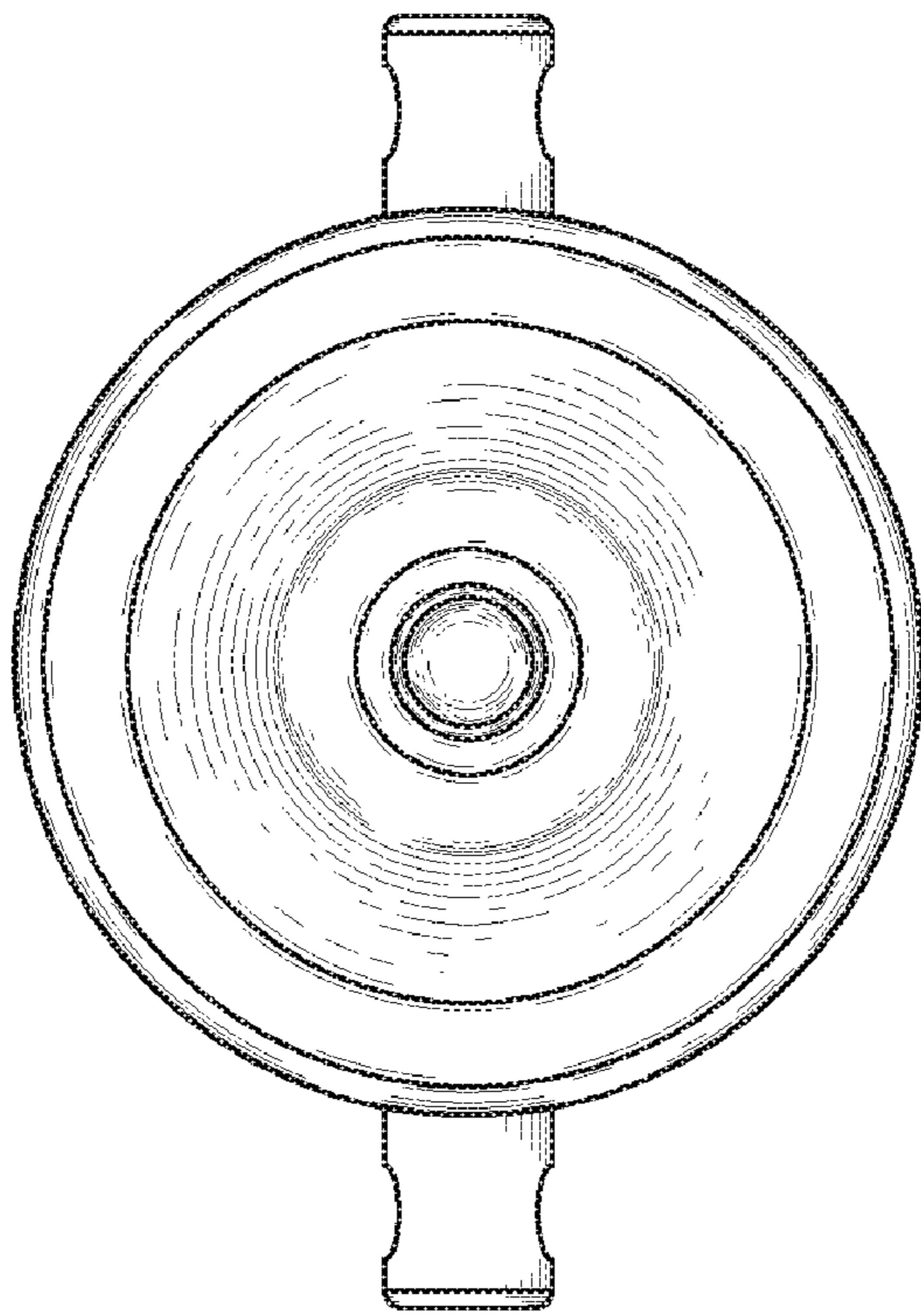


FIG. 4

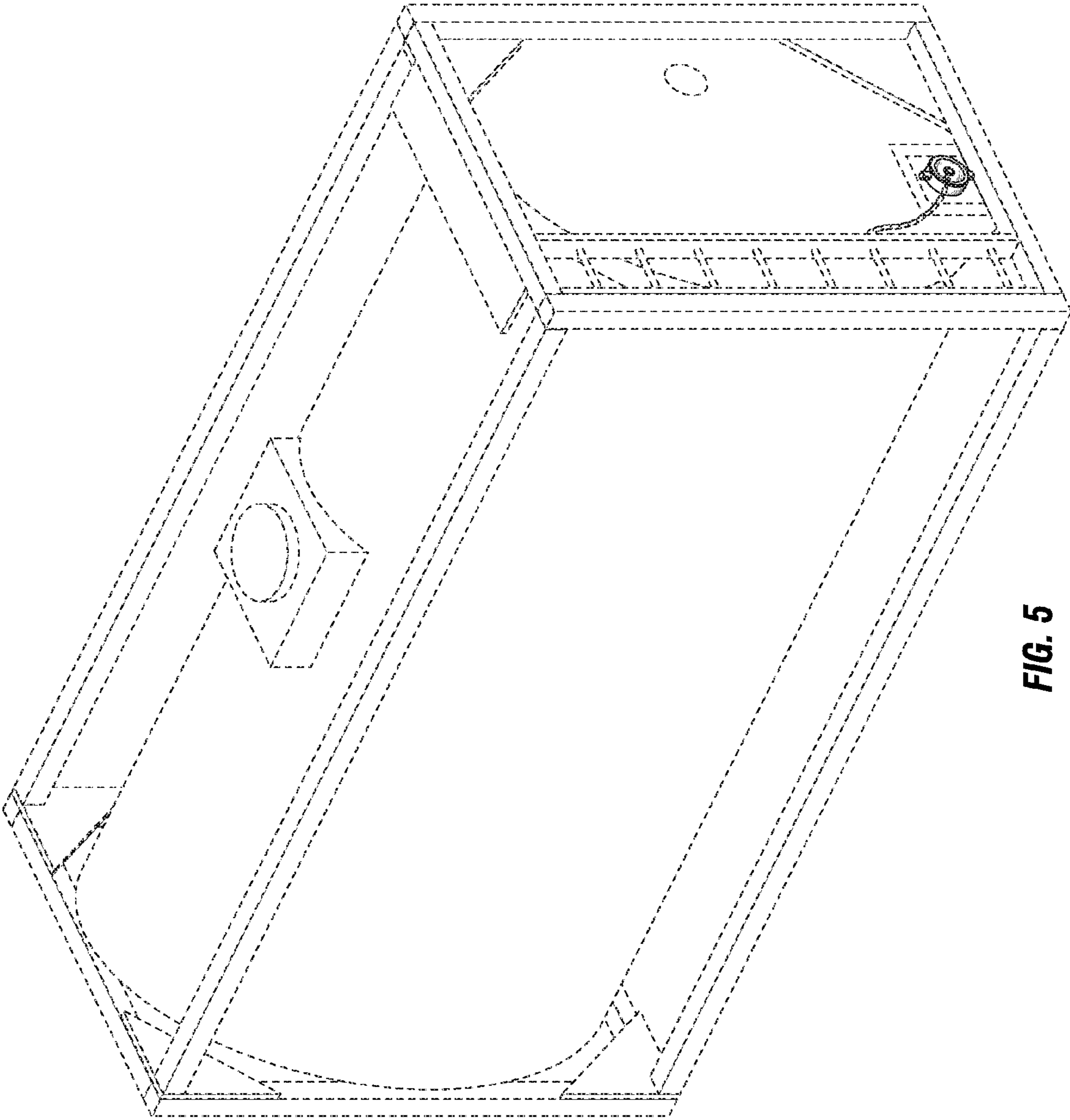


FIG. 5