



US00D624986S

(12) **United States Design Patent**  
**Sim**

(10) **Patent No.:** **US D624,986 S**  
(45) **Date of Patent:** **\*\* Oct. 5, 2010**

(54) **BRANCH LINE CONNECTOR ASSEMBLY  
FOR LONG-LINE FISHING IMPLEMENT**

(75) Inventor: **Woo-Kyung Sim**, Paju (KR)

(73) Assignee: **Centro Corporation**, Sungseok-dong,  
Ilsan-ku, Koyang, Kyungki-do (KR)

(\*\*) Term: **14 Years**

(21) Appl. No.: **29/345,276**

(22) Filed: **Oct. 13, 2009**

(30) **Foreign Application Priority Data**

Sep. 4, 2009 (KR) ..... 30-2009-0039383

(51) **LOC (9) Cl.** ..... **22-05**

(52) **U.S. Cl.** ..... **D22/134**

(58) **Field of Classification Search** ..... D22/134,  
D22/138-139, 148, 150, 199; 43/4-5, 43.12;  
24/115 A, 115 R; 254/269; 242/390.1, 396.9,  
242/397.1, 407; D30/154

See application file for complete search history.

(56) **References Cited**

**U.S. PATENT DOCUMENTS**

- 1,698,830 A \* 1/1929 Starrett ..... 24/115 A
- 2,651,824 A \* 9/1953 Elsner ..... 294/74
- 3,922,808 A \* 12/1975 Rieth et al. .... 43/4
- 4,813,172 A \* 3/1989 McCue ..... 43/43.12

\* cited by examiner

*Primary Examiner*—Catherine R Oliver

(74) *Attorney, Agent, or Firm*—Lexyoume IP Group, PLLC.

(57) **CLAIM**

The ornamental design for a branch line connector assembly for long-line fishing implement, as shown and described.

**DESCRIPTION**

FIG. 1 is a perspective view of branch line connector assembly for long-line fishing implement showing my new design;

FIG. 2 is a front elevational view of FIG. 1;

FIG. 3 is a rear elevational view of FIG. 1;

FIG. 4 is a left side elevational view of FIG. 1;

FIG. 5 is a right side elevational view of FIG. 1;

FIG. 6 is a top plan view of FIG. 1;

FIG. 7 is a bottom plan view of FIG. 1;

FIG. 8 is a reference view of a connector in the state of before being deformed, as a part of the branch line connector assembly for long-line fishing implement, attaching a rolling swivel to the fishing rope;

FIG. 9 is a reference view of a connector of FIG. 8, attaching for the fishing rope, in the state of after being deformed;

FIG. 10 is a reference view of a clamp attached to respective sides of the connector in the fishing rope, in the state of before being deformed;

FIG. 11 is a reference view of the clamp in the state of after being deformed; and,

FIG. 12 is a reference view of an example of continuous arrangement of a branch line connector assembly for long-line fishing implement in a fishing rope.

The surface(s) or portion(s) of the article not shown in the drawing or described in the specification form(s) no part of the claimed design.

The broken line showing of environment in the drawings is for illustrative purposes only and forms no part of the claimed design.

**1 Claim, 12 Drawing Sheets**

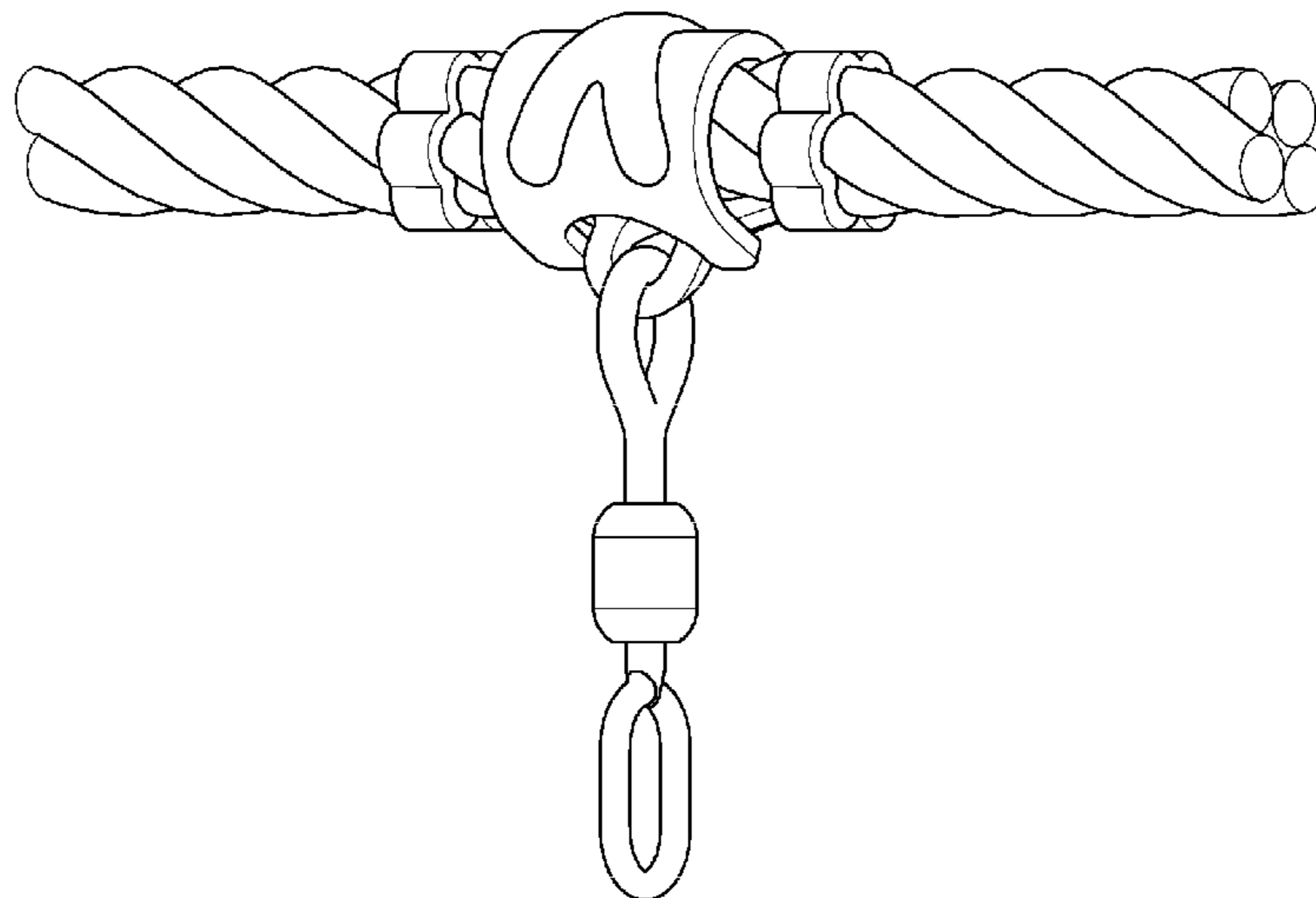


FIG. 1

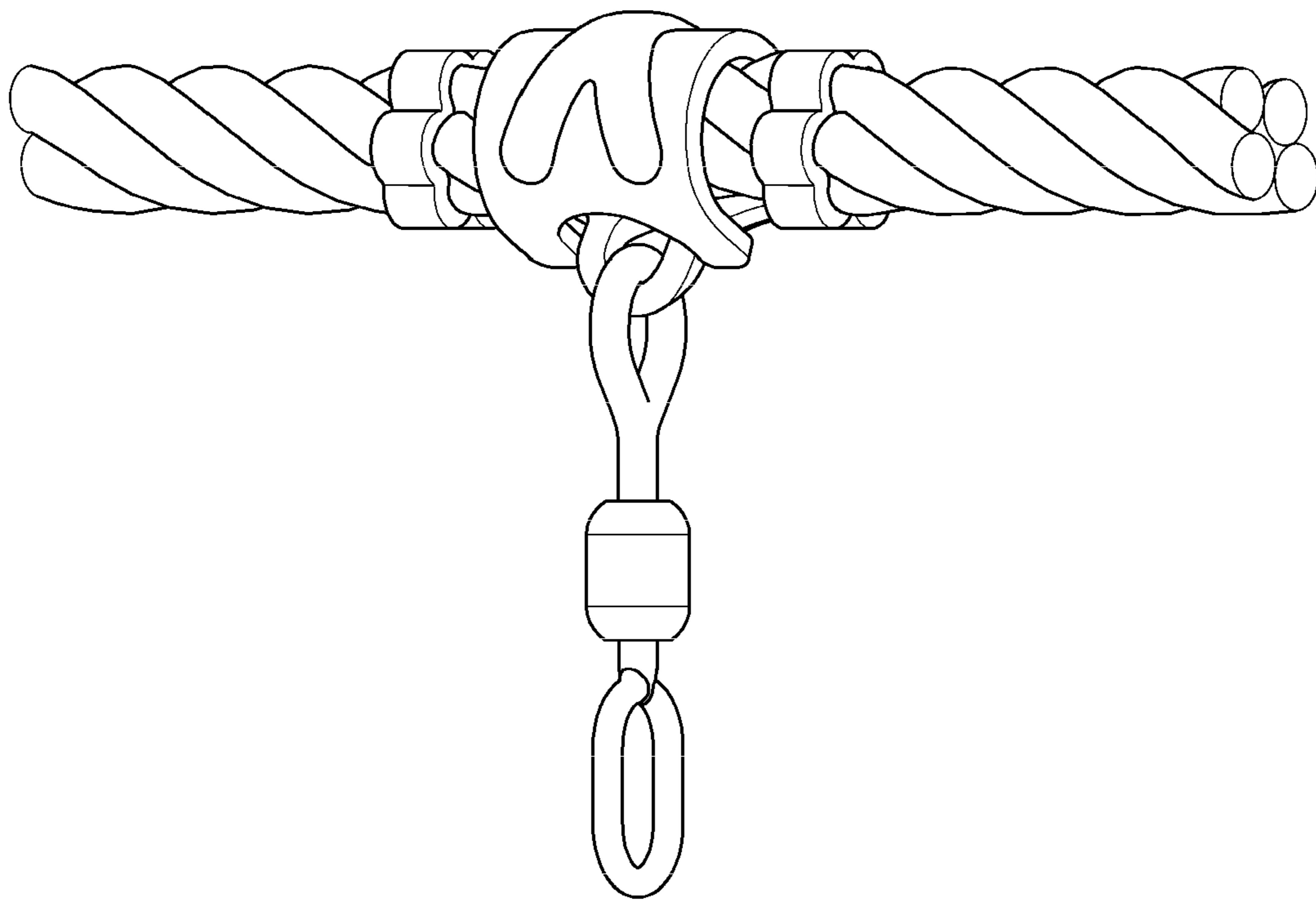


FIG. 2

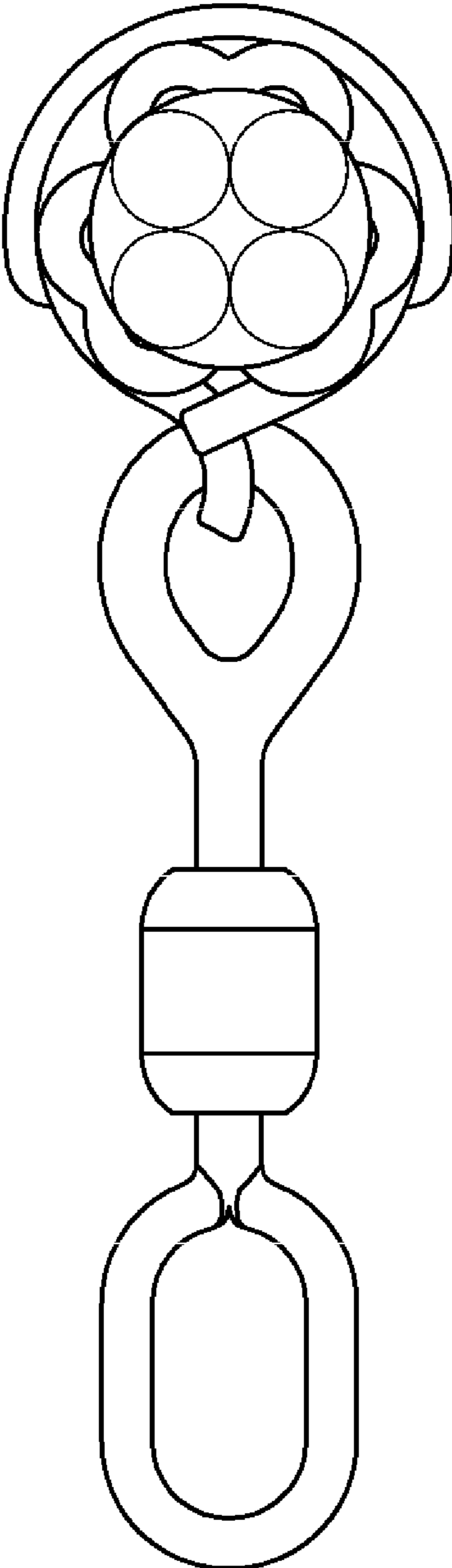


FIG. 3

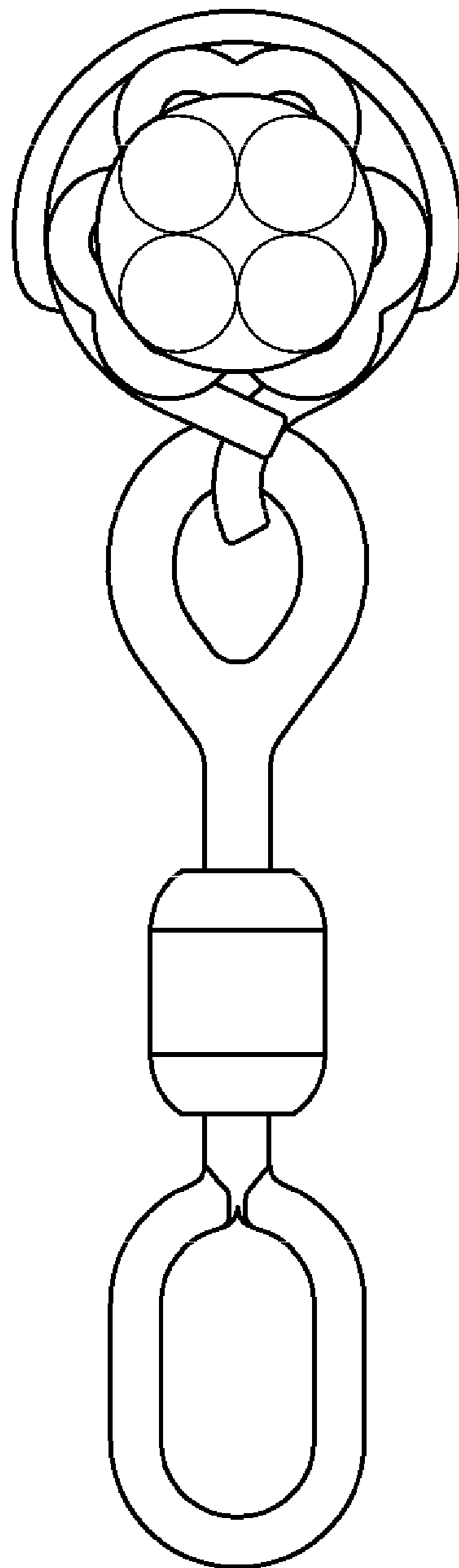


FIG. 4

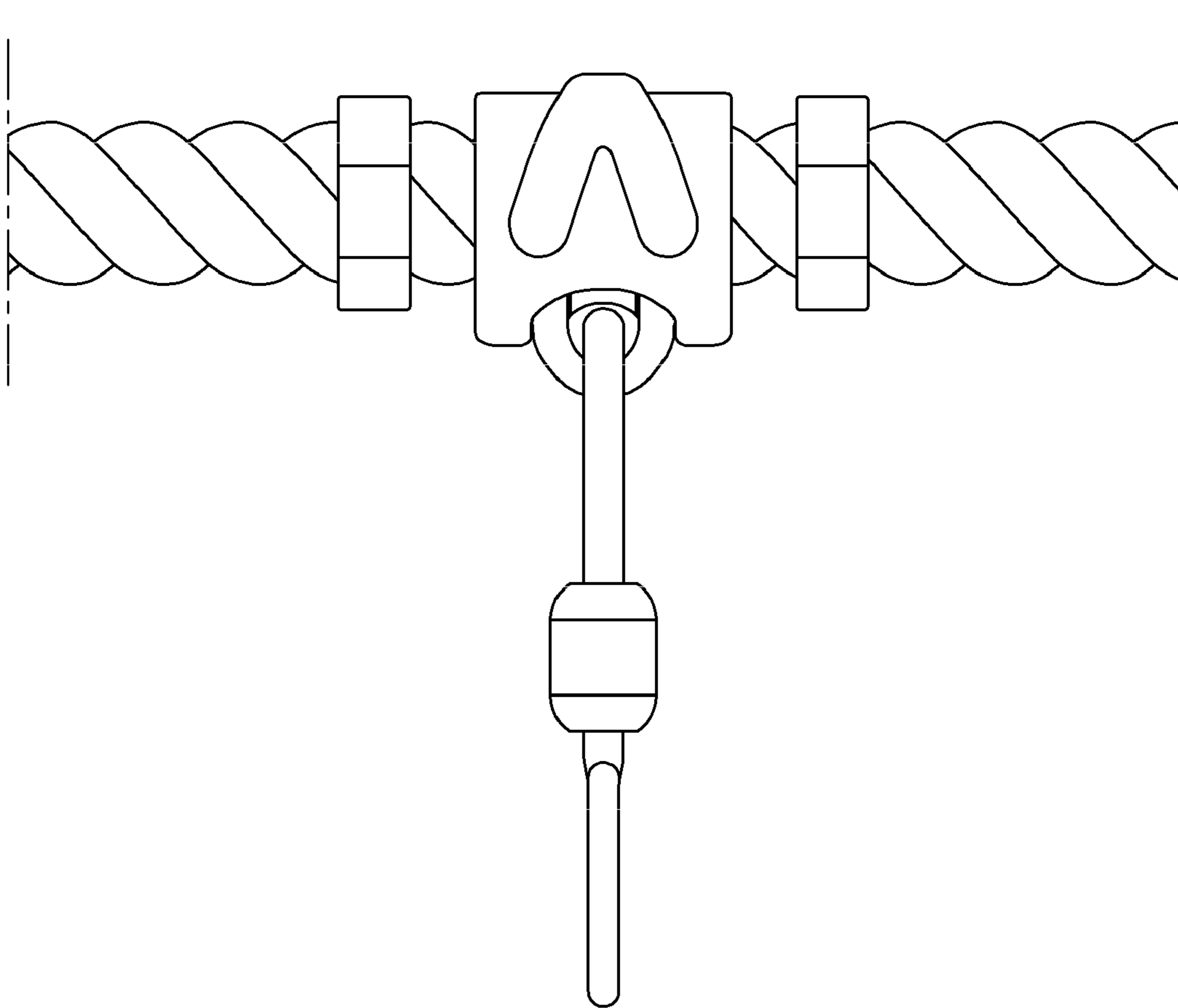


FIG. 5

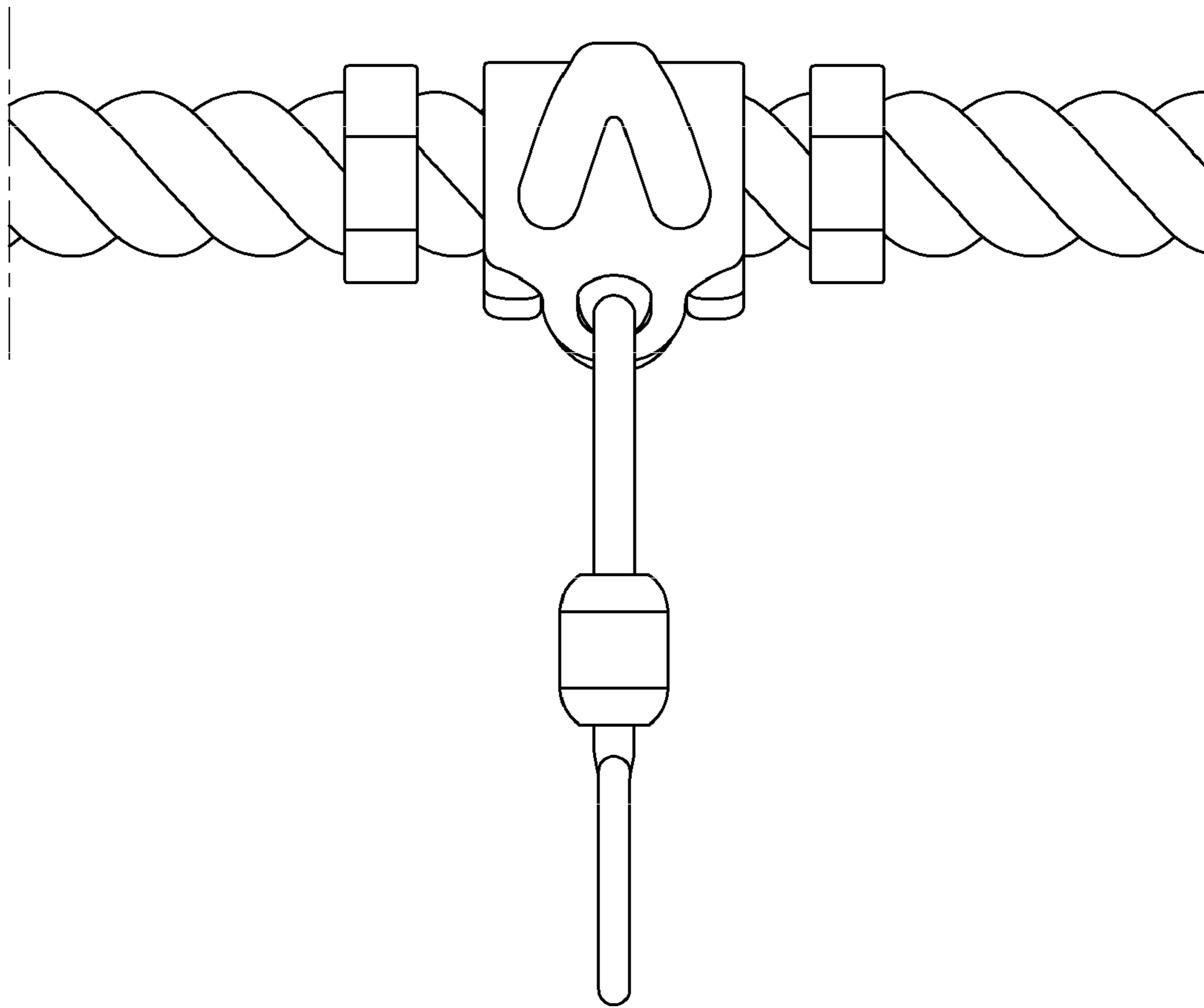


FIG. 6

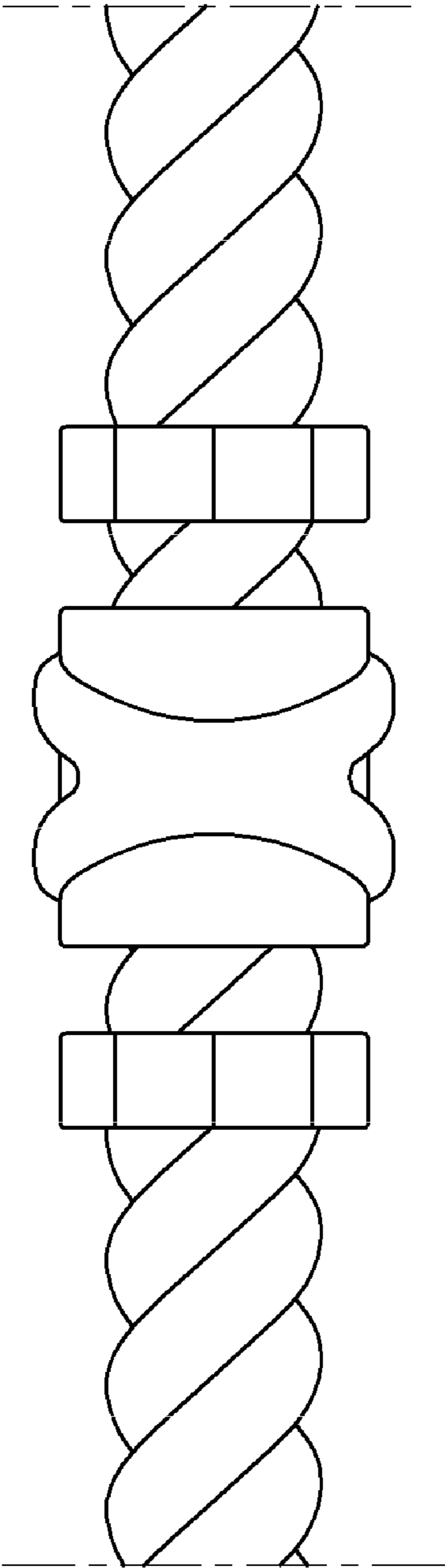


FIG. 7

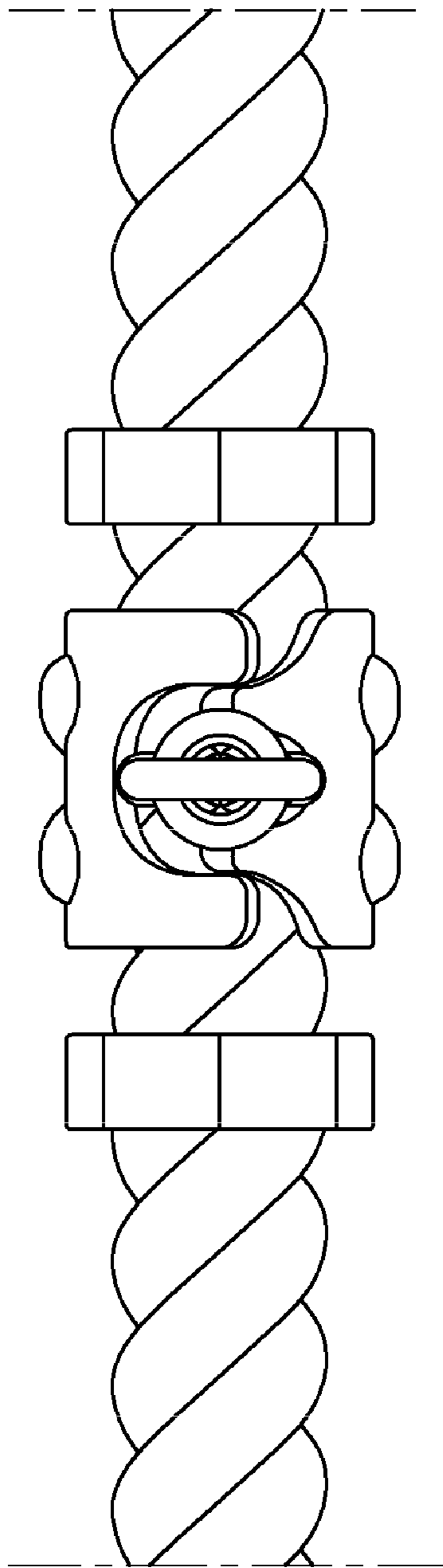




FIG. 8

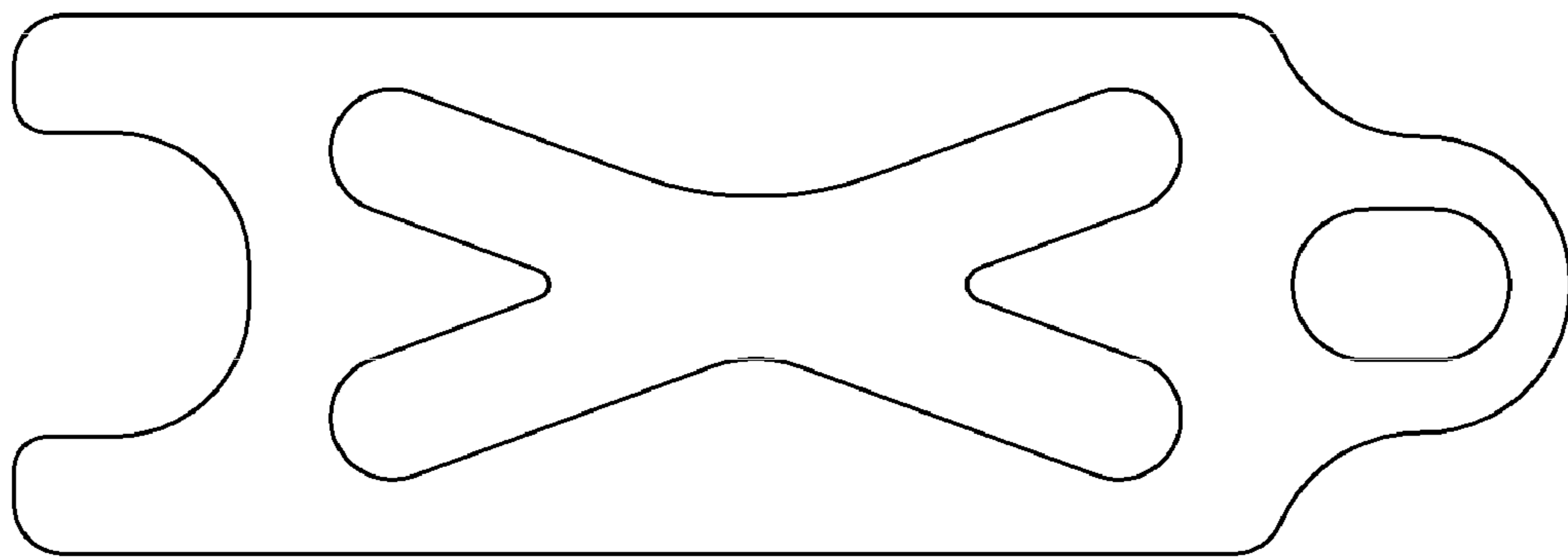


FIG. 9

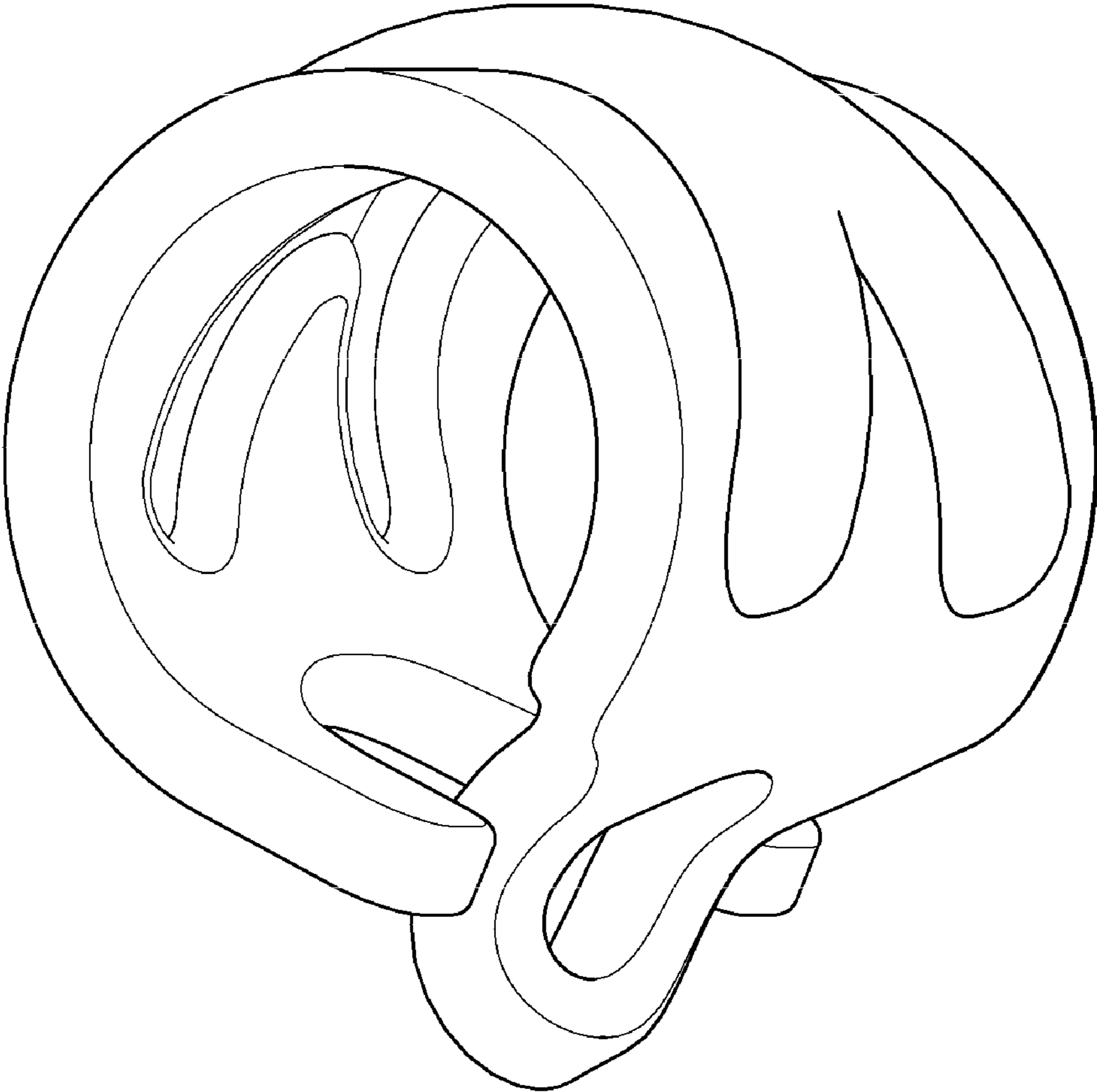


FIG. 10

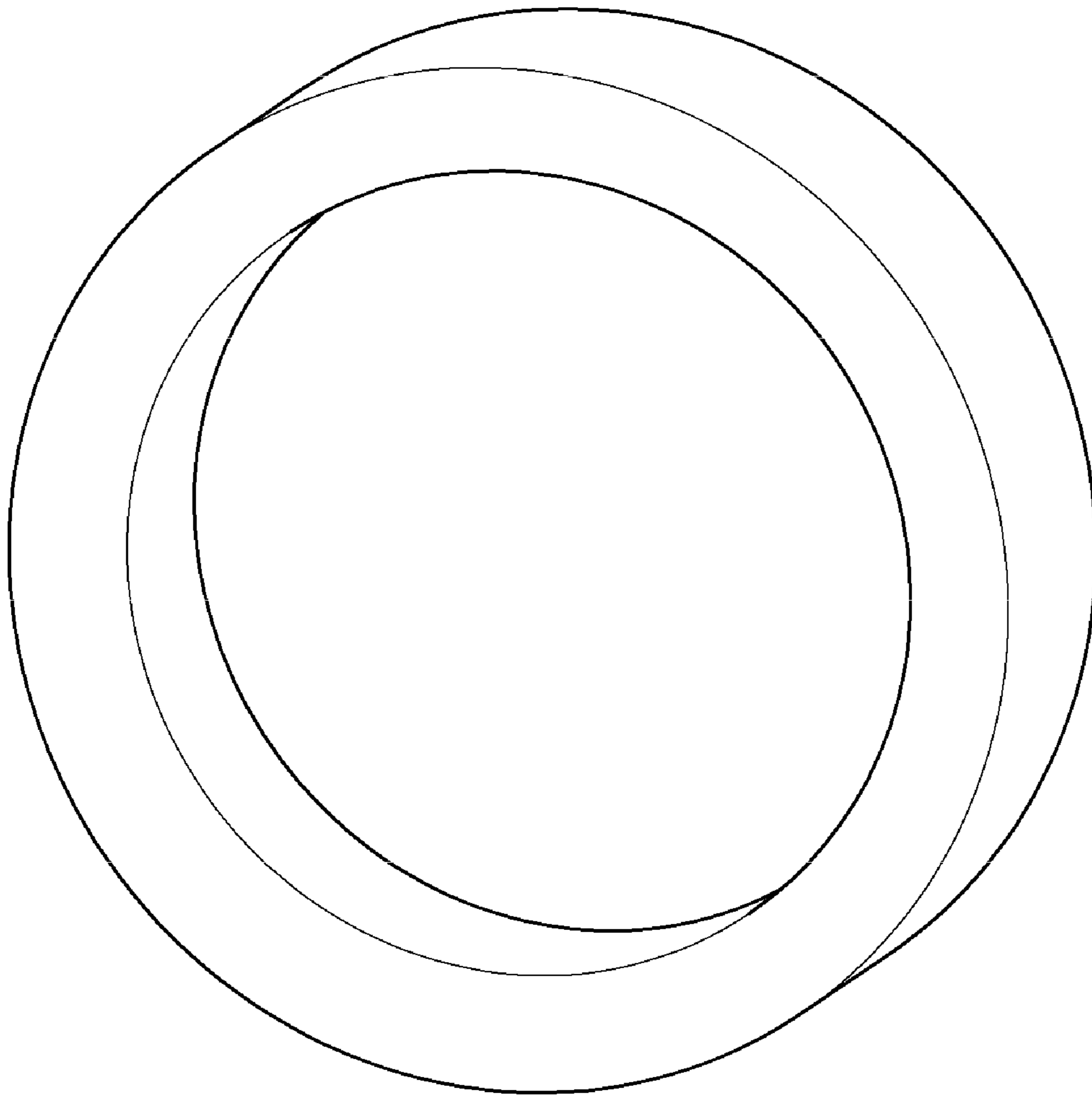


FIG. 11

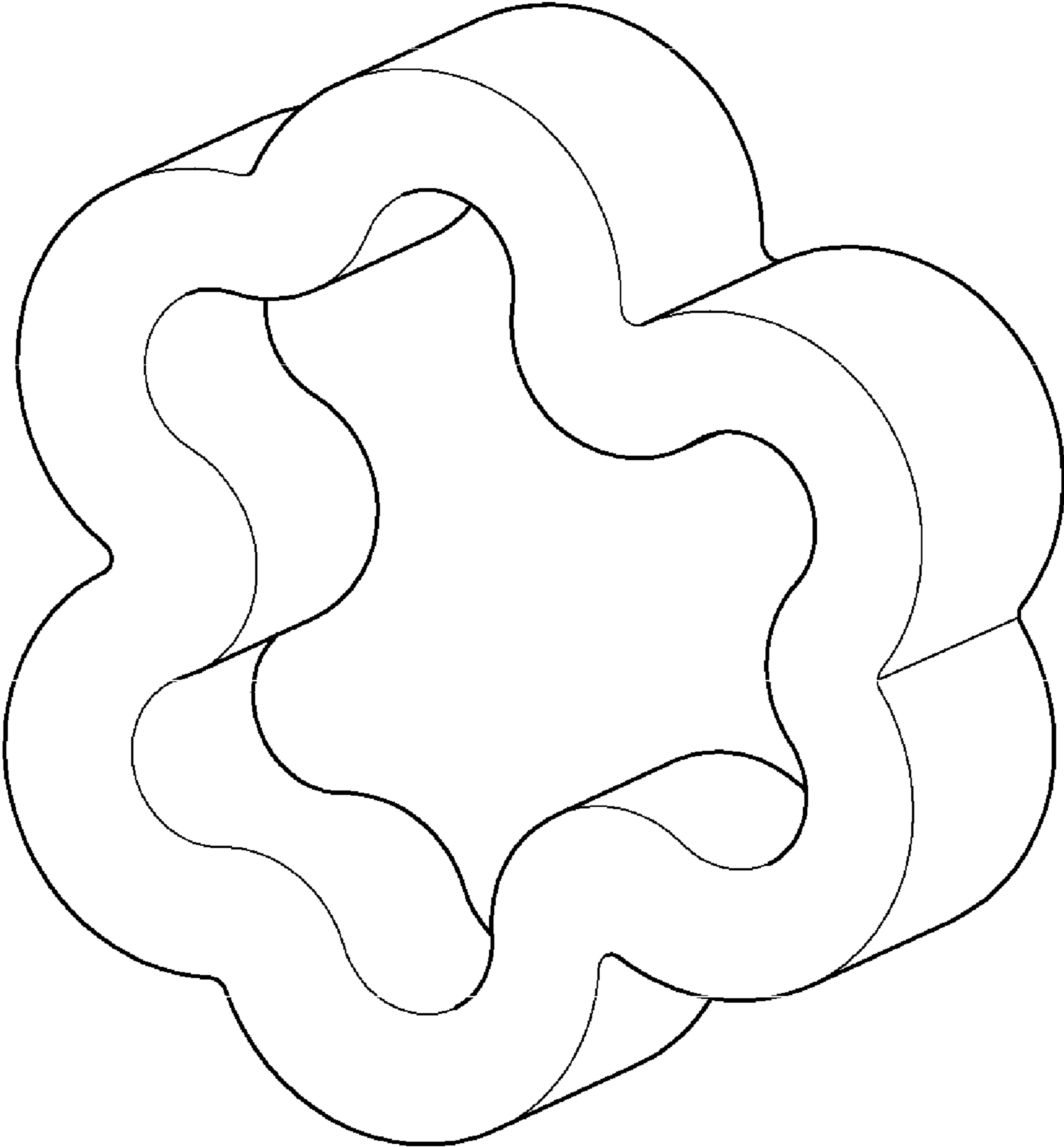


FIG. 12

