



US00D624985S

(12) **United States Design Patent**
Kreiman et al.

(10) **Patent No.:** **US D624,985 S**
(45) **Date of Patent:** **** Oct. 5, 2010**

(54) **MILITARY TARGET SYSTEM**

(75) Inventors: **Kerry L. Kreiman**, Knoxville, TN (US);
Mark C. Englert, Stockbridge, GA
(US); **William R. Brown, Jr.**, Lenoir
City, TN (US); **Donald Ray Buttrey**,
Knoxville, TN (US); **Matthew G.**
Hughs, Knoxville, TN (US)

(73) Assignee: **EOD Technology, Inc.**, Lenoir City, TN
(US)

(**) Term: **14 Years**

(21) Appl. No.: **29/339,572**

(22) Filed: **Jul. 2, 2009**

(51) **LOC (9) Cl.** **22-04**

(52) **U.S. Cl.** **D22/113**

(58) **Field of Classification Search** D22/113,
D22/199; 463/52, 54, 56; 273/331, 348,
273/407, 127 R; 473/190

See application file for complete search history.

(56) **References Cited**

U.S. PATENT DOCUMENTS

884,663	A	4/1908	Johnston et al.	
1,424,632	A	8/1922	Fenton	
3,506,266	A *	4/1970	Wintersteen	273/392
4,052,058	A	10/1977	Hintz	
4,283,060	A	8/1981	Braunschweiler	
4,401,303	A	8/1983	Anderson et al.	
4,501,427	A	2/1985	Payne	
4,691,925	A	9/1987	Scholem	
4,726,593	A *	2/1988	Wade	273/392
5,176,386	A	1/1993	Simmons	
5,277,432	A	1/1994	Bateman	
5,533,732	A *	7/1996	Leinen et al.	273/375
6,347,798	B1 *	2/2002	Quiring et al.	273/391

(Continued)

Primary Examiner—T. Chase Nelson
Assistant Examiner—Michael A Pratt

(74) *Attorney, Agent, or Firm*—Leudeka, Neely & Graham,
PC

(57) **CLAIM**

The ornamental design for a military target system, as shown
and described.

DESCRIPTION

FIG. 1 is a perspective view of a First Embodiment of a
military target system of our new design;

FIG. 2 is a top view of a First Embodiment of a military target
system of FIG. 1;

FIG. 3 is a bottom view of a First Embodiment of a military
target system of FIG. 1;

FIG. 4 is a right side View of a First Embodiment of a military
target system of FIG. 1;

FIG. 5 is a left side view of a First Embodiment of a military
target system of FIG. 1;

FIG. 6 is a front view of a First Embodiment of a military
target system of FIG. 1;

FIG. 7 is a rear view of a of First Embodiment of a military
target system of FIG. 1;

FIG. 8 is a perspective view of a Second Embodiment of a
military target system of our new design;

FIG. 9 is a top view of a Second Embodiment of a military
target system of FIG. 8;

FIG. 10 is a bottom view of a Second Embodiment of a
military target system of FIG. 8;

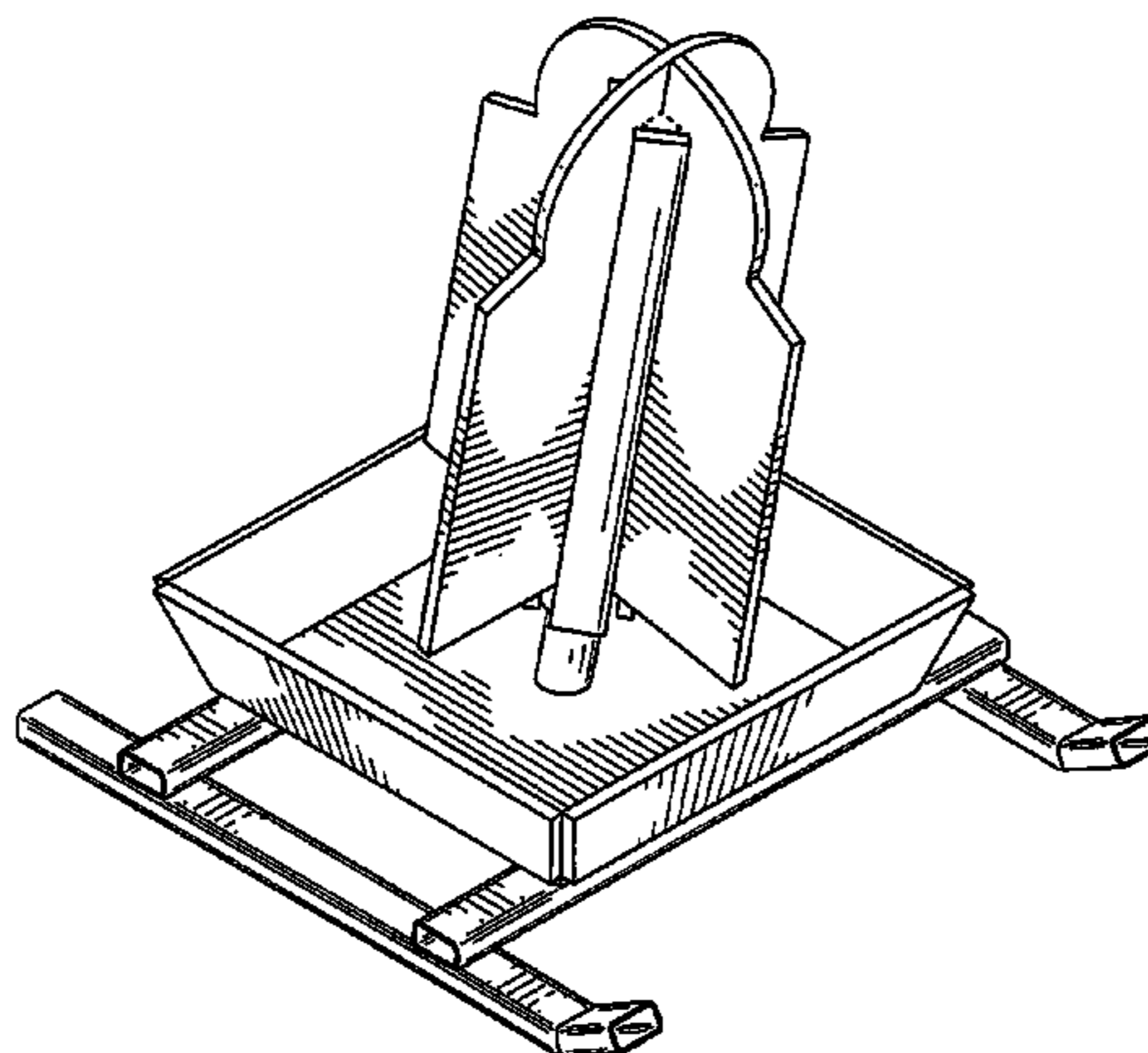
FIG. 11 is a right side View of a Second Embodiment of a
military target system of FIG. 8;

FIG. 12 is a left side view of a Second Embodiment of a
military target system of FIG. 8;

FIG. 13 is a front view of a Second Embodiment of a military
target system of FIG. 8; and,

FIG. 14 is a rear view of a Second Embodiment of a military
target system of FIG. 8.

1 Claim, 14 Drawing Sheets



US D624,985 S

Page 2

U.S. PATENT DOCUMENTS

6,398,215	B1	6/2002	Carroll	7,114,725	B2	10/2006	Camp et al.	
6,478,301	B1	11/2002	Witmeyer	7,201,376	B2	4/2007	Kuosa	
6,994,348	B2	2/2006	Lambert et al.	2006/0240388	A1	10/2006	Marshall et al.	
6,994,349	B2	2/2006	Lambert et al.	2008/0174071	A1*	7/2008	Potterfield et al. 273/392
				2008/0277876	A1*	11/2008	Riley 273/388

* cited by examiner

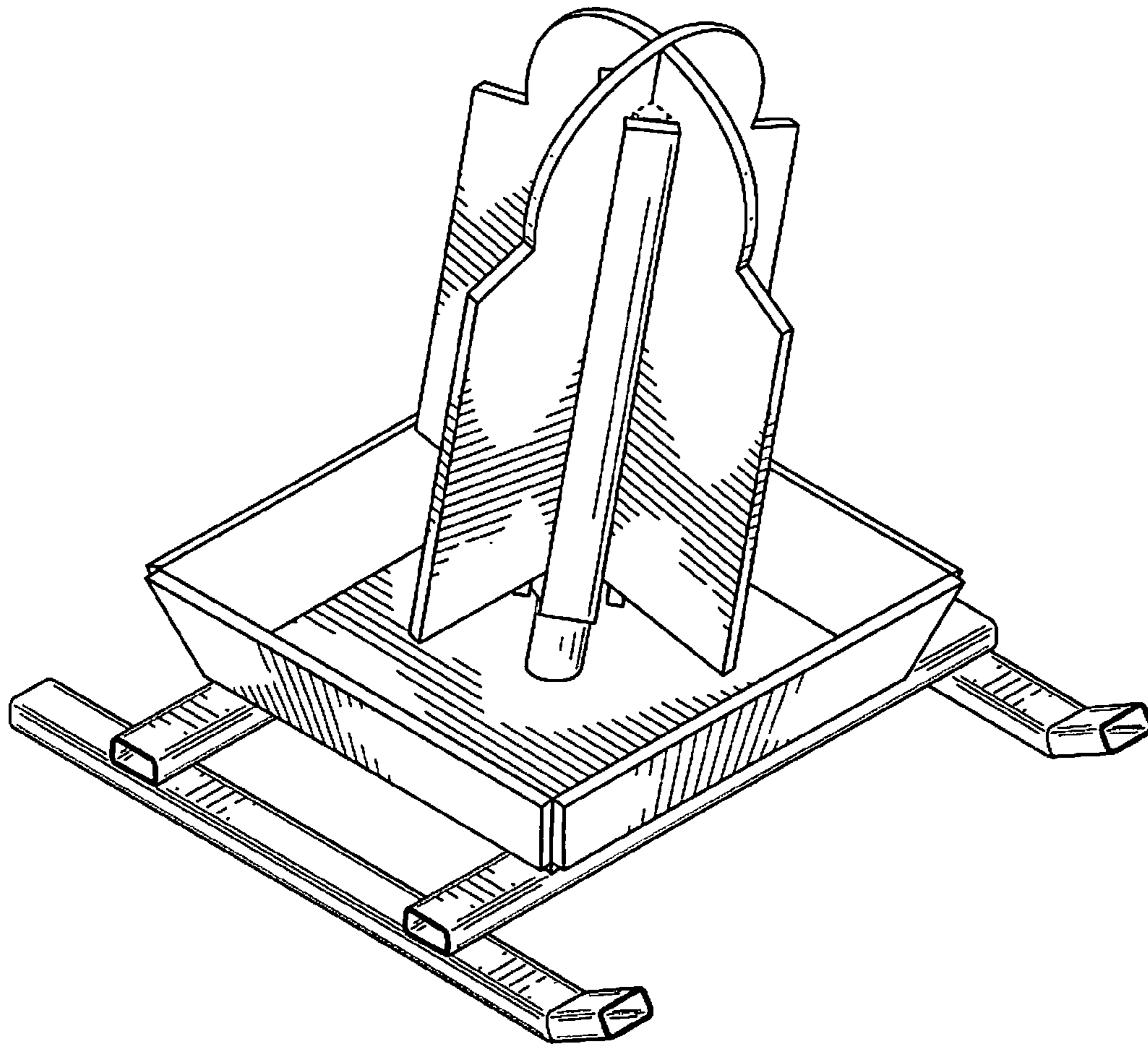


FIG. 1

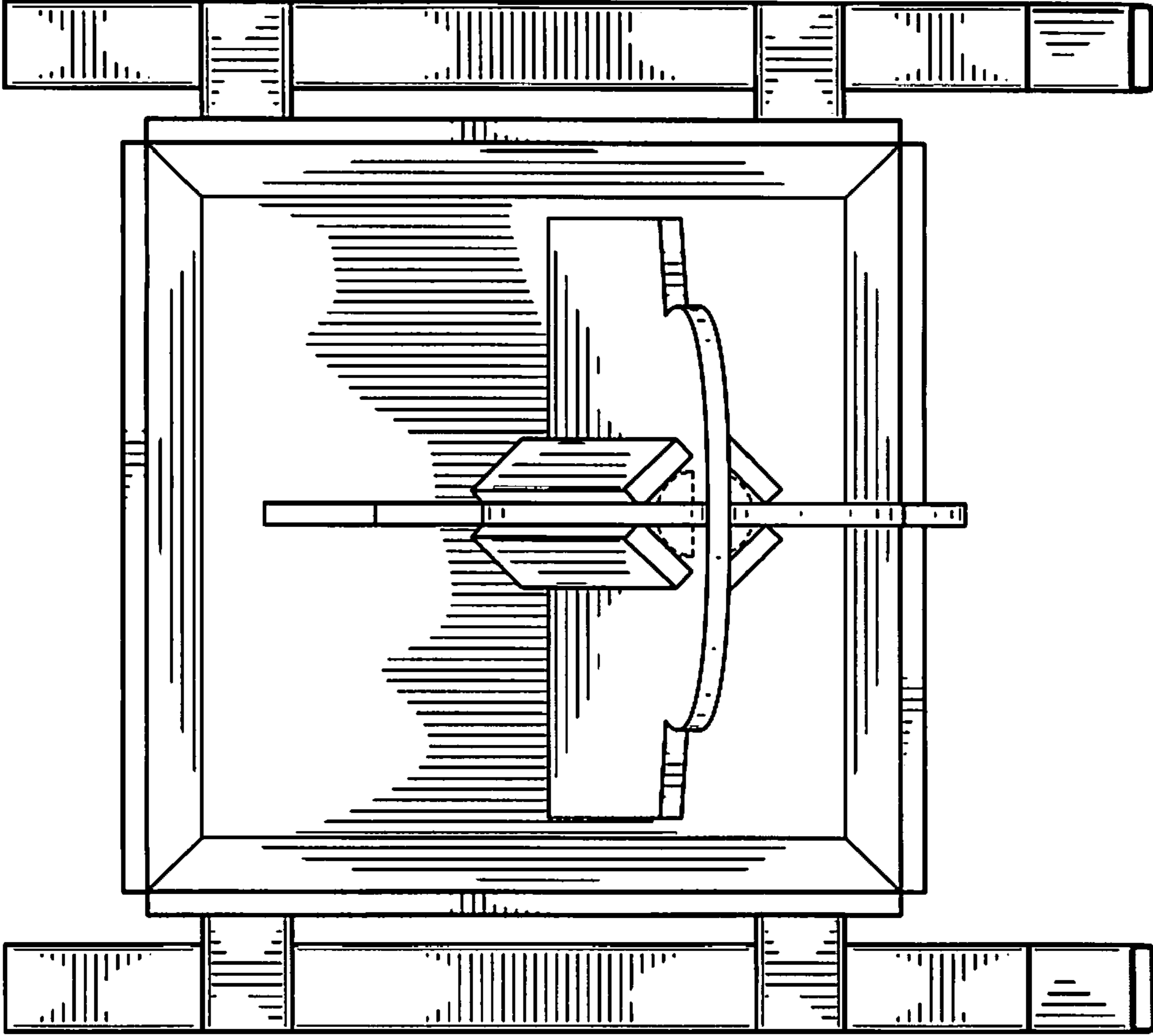


FIG. 2

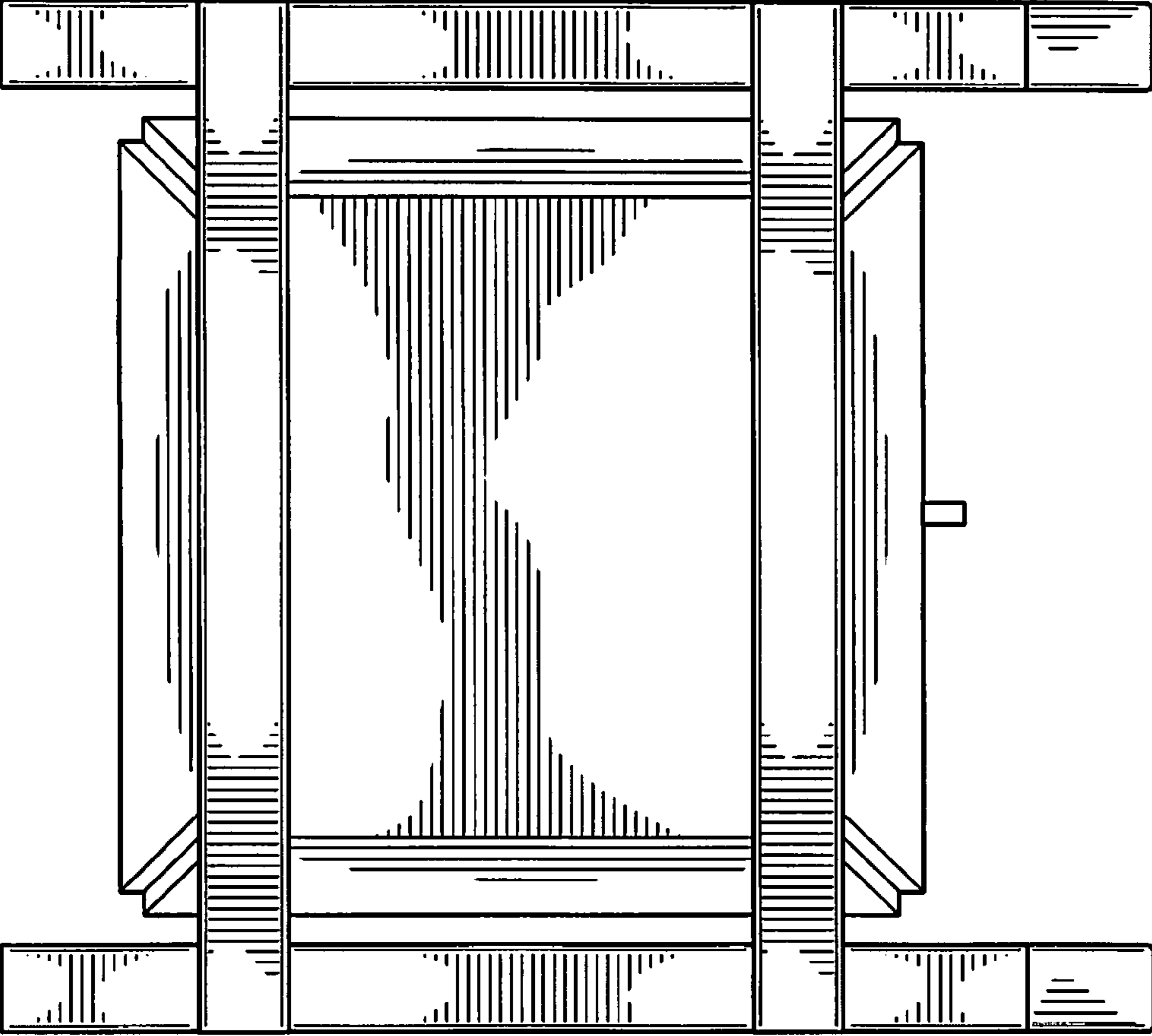


FIG. 3

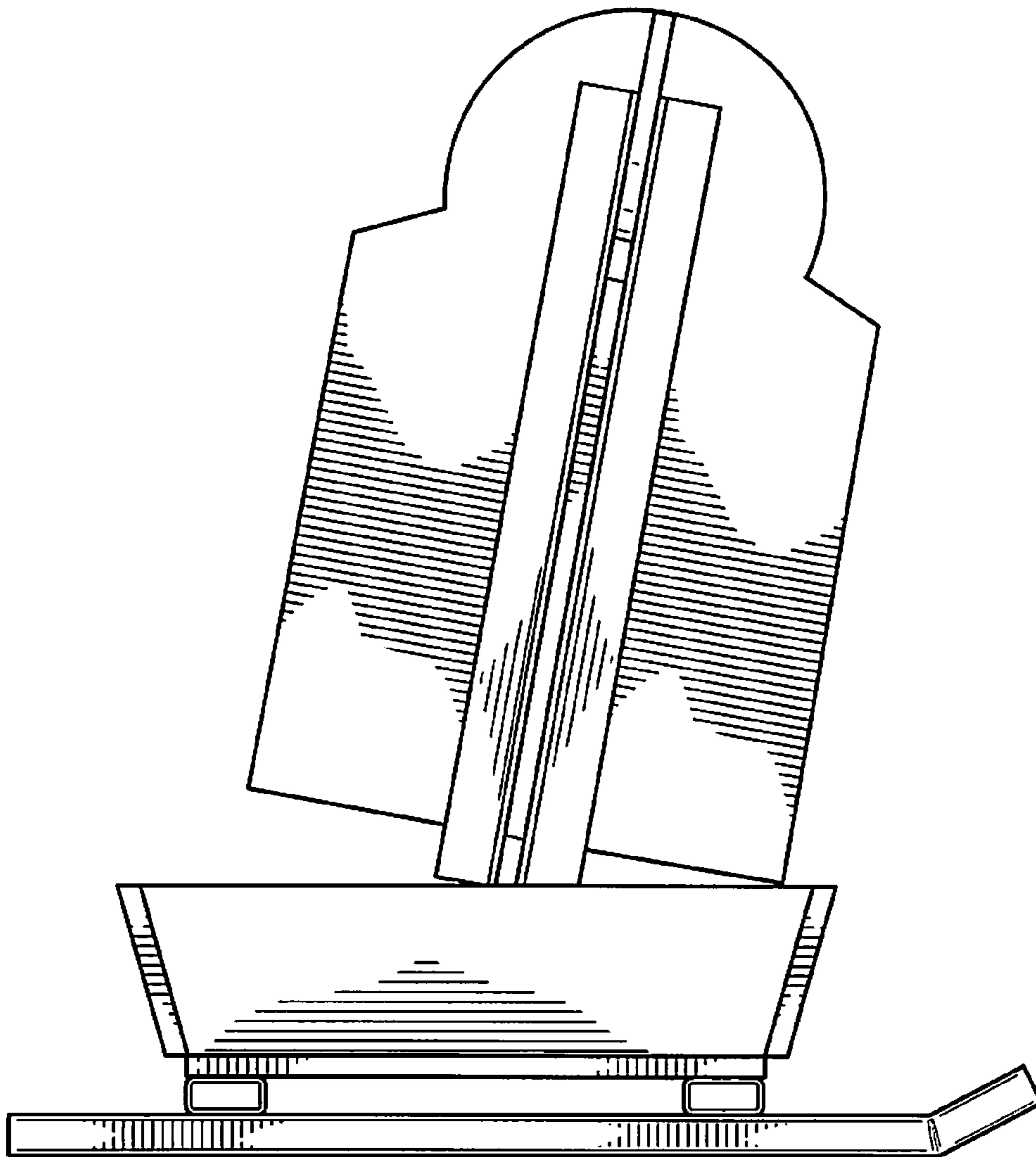


FIG. 4

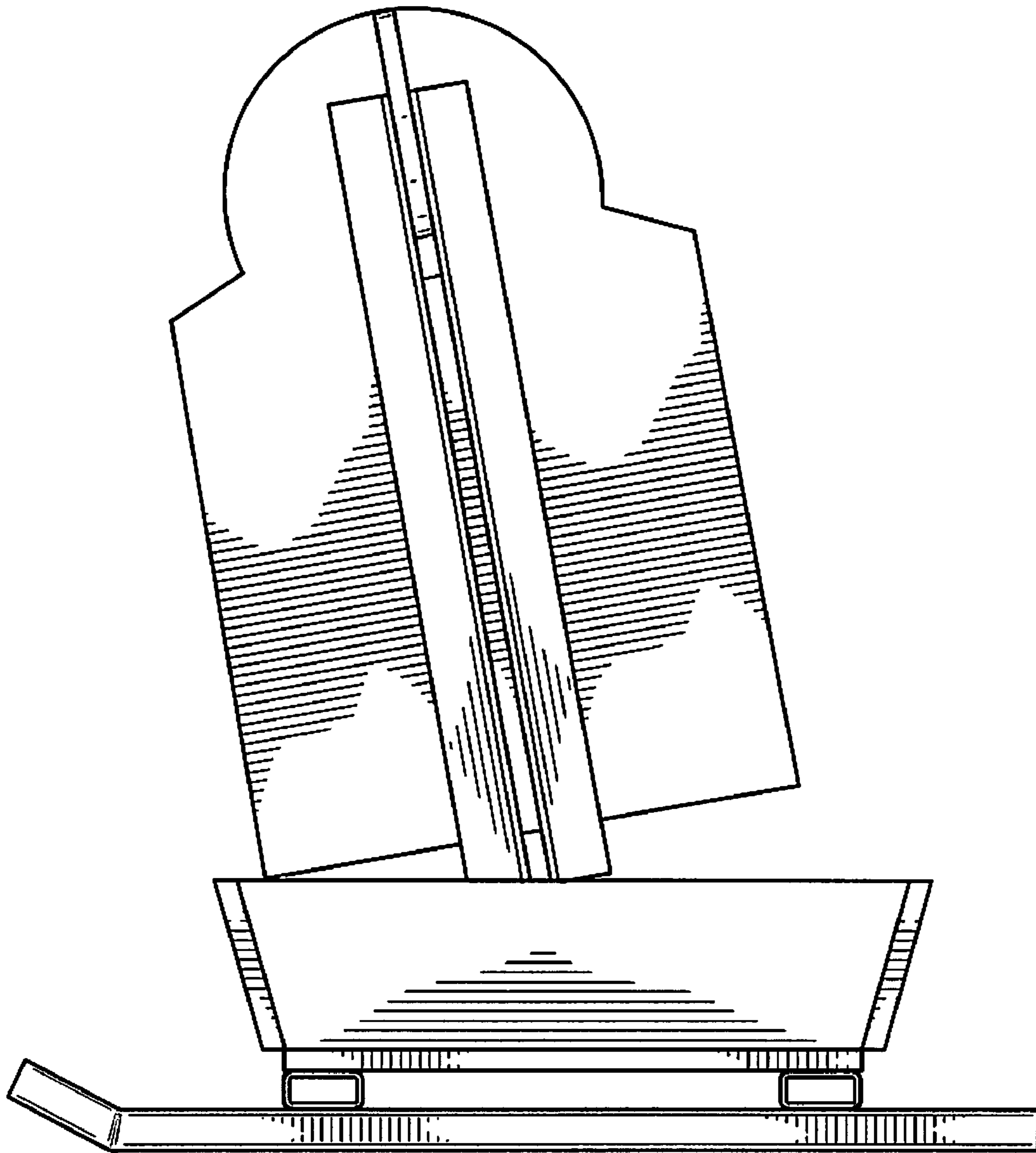


FIG. 5

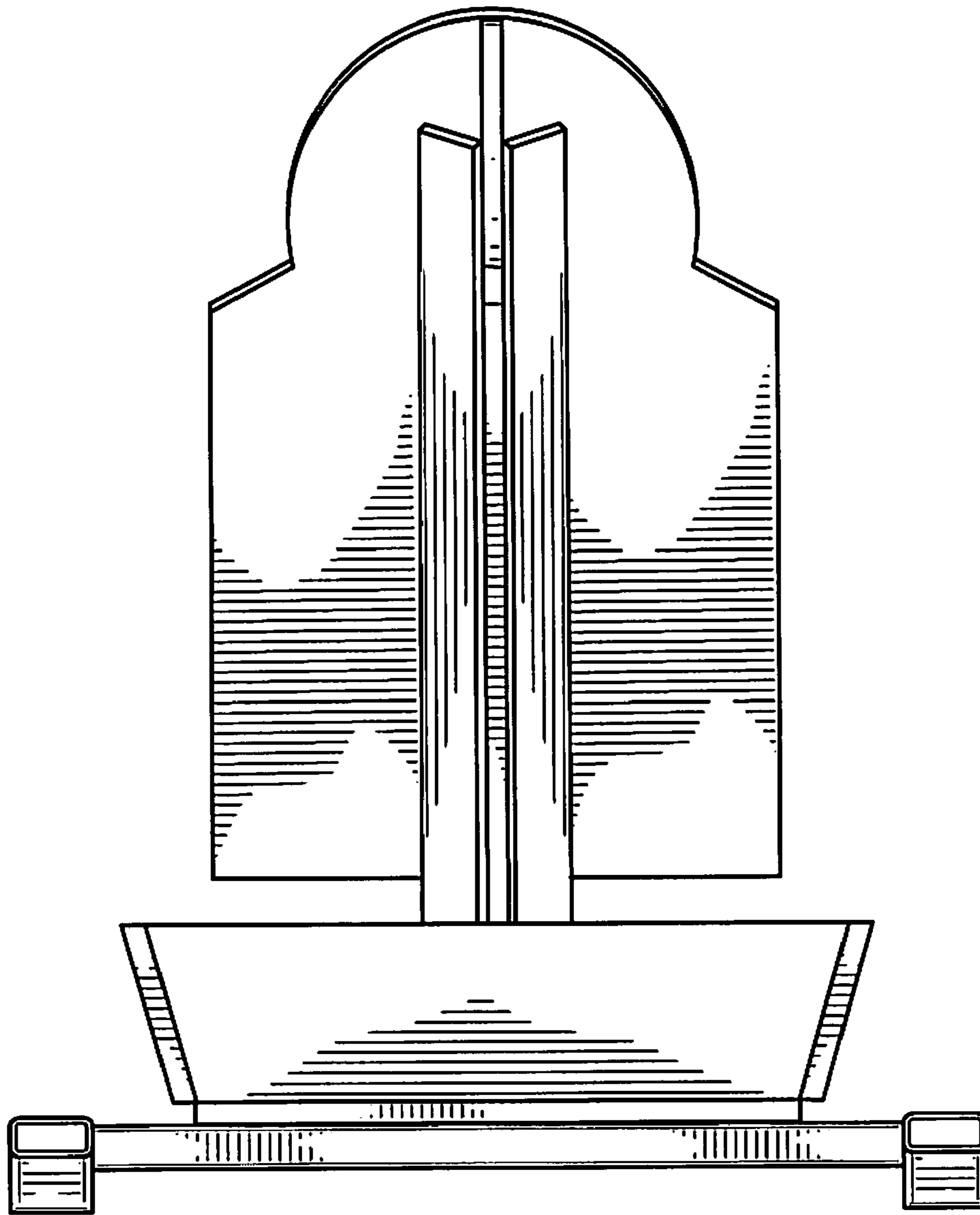


FIG. 6

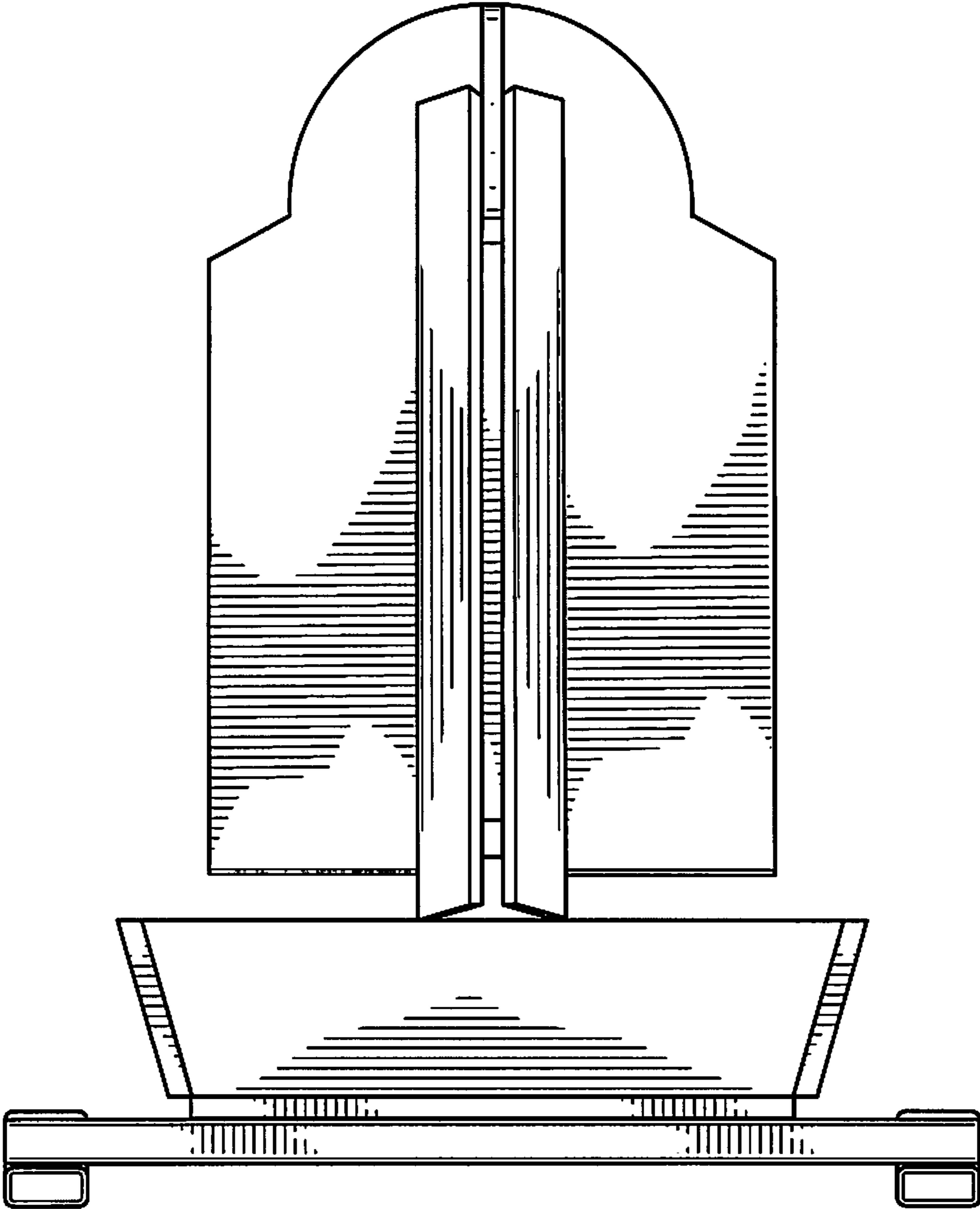


FIG. 7

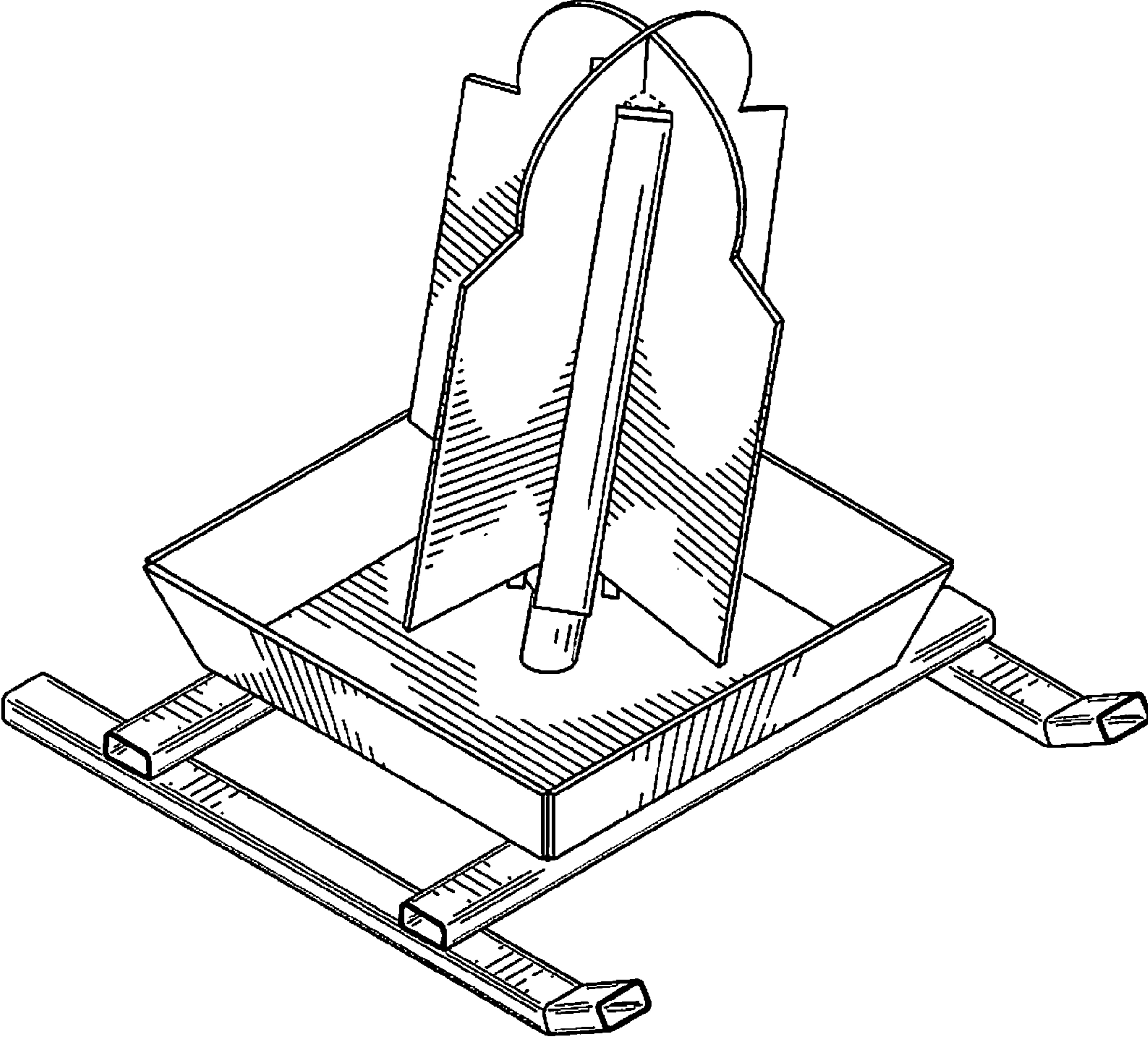


FIG. 8

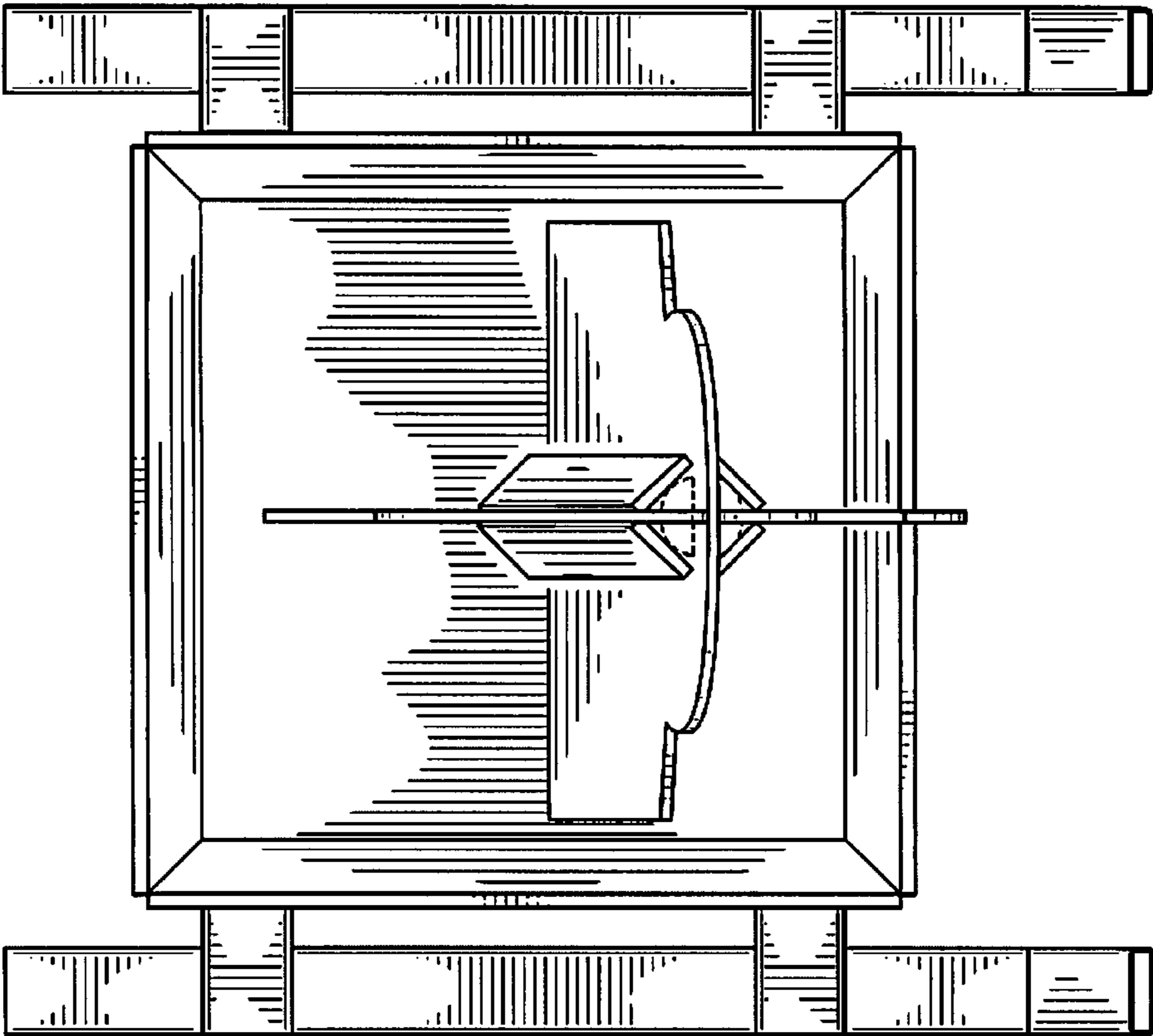


FIG. 9

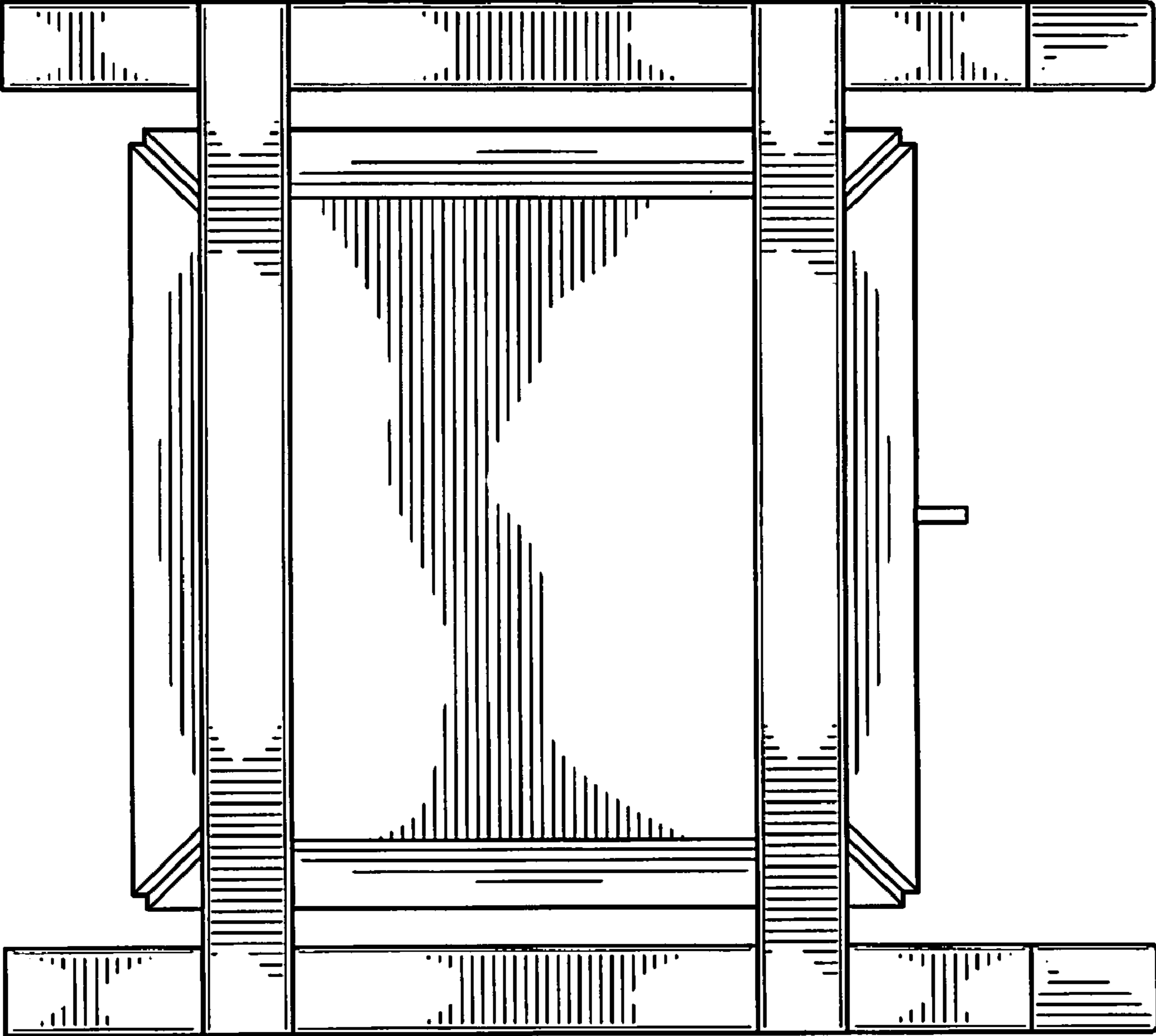


FIG. 10

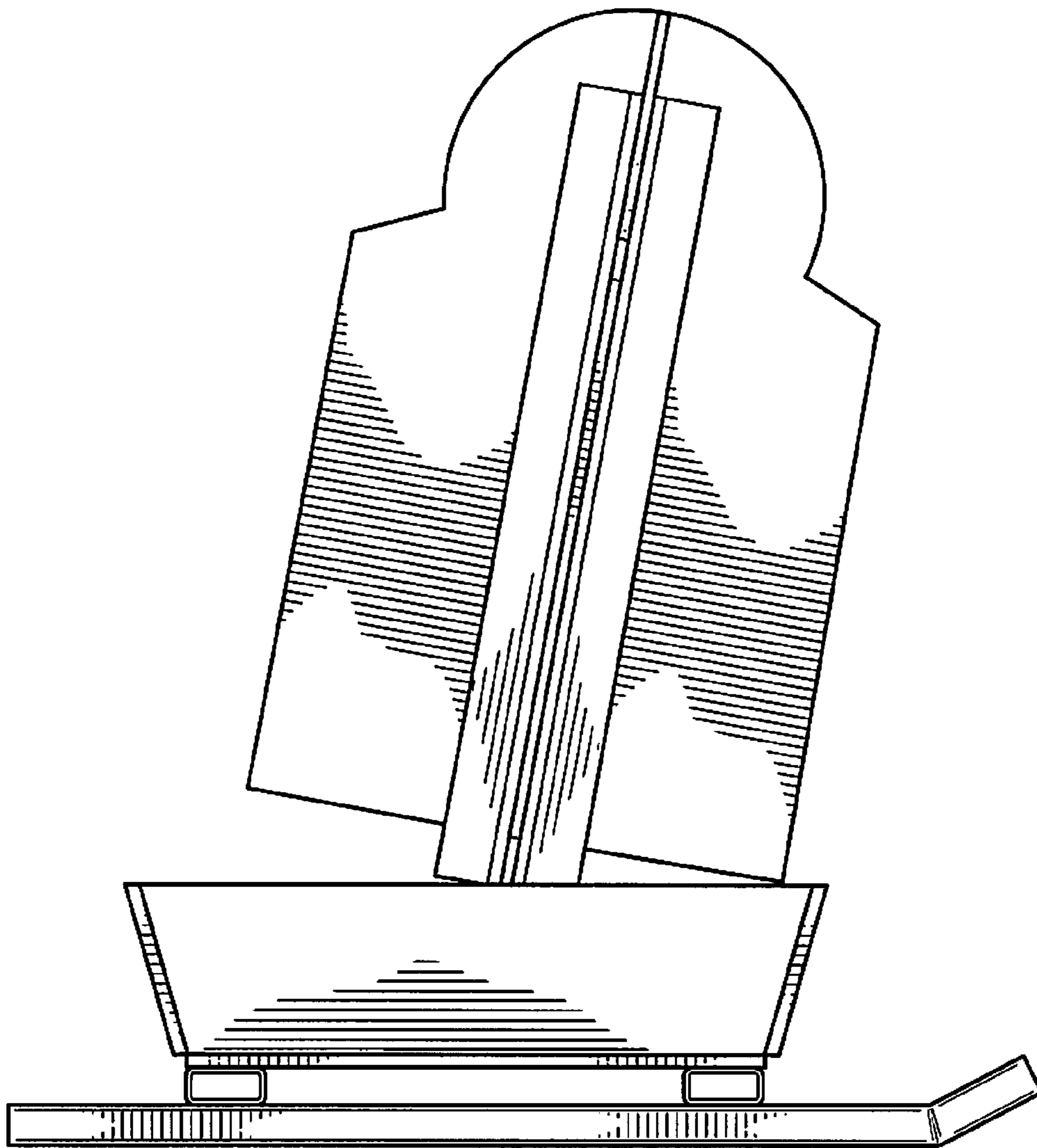


FIG. 11

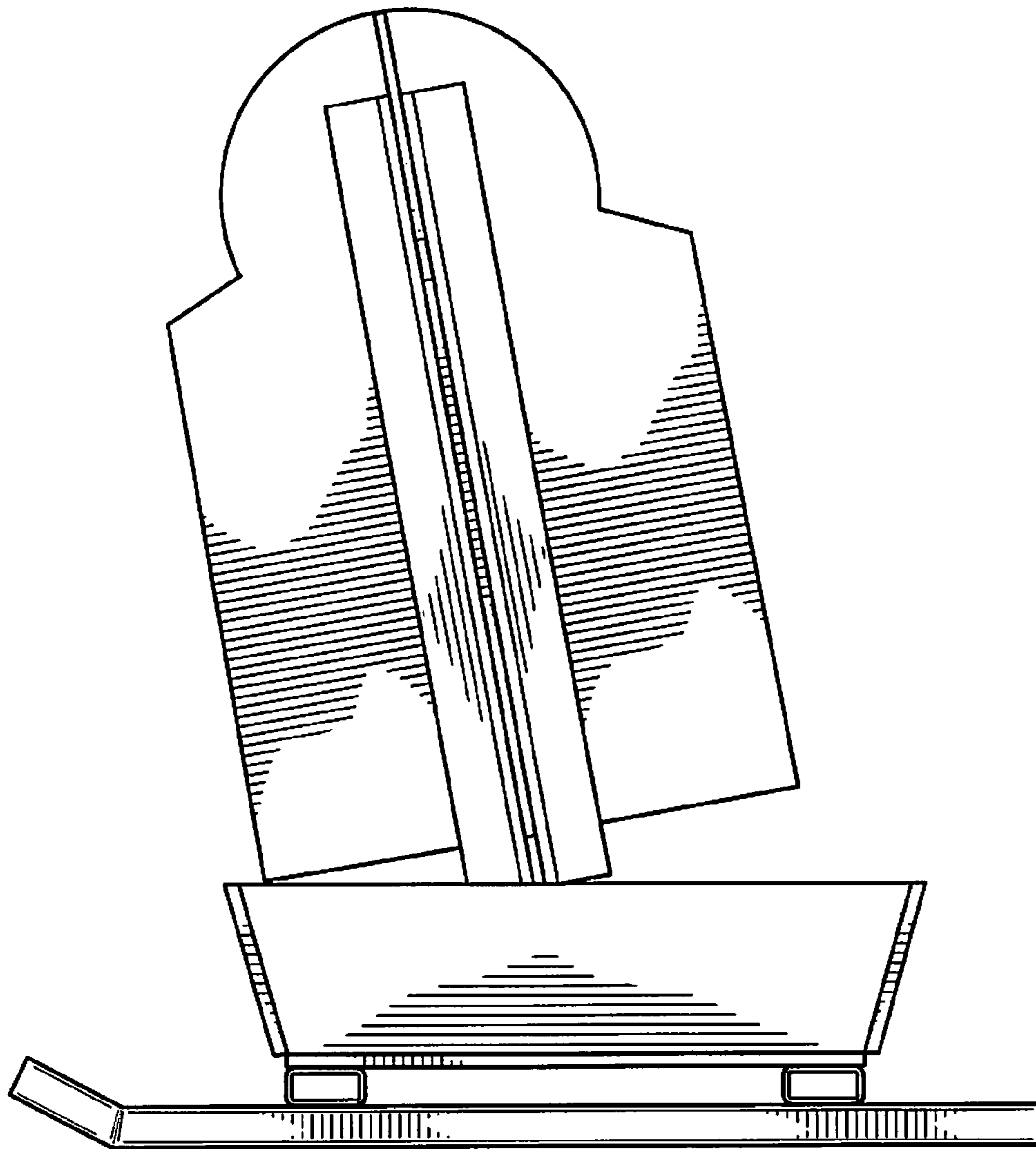


FIG. 12

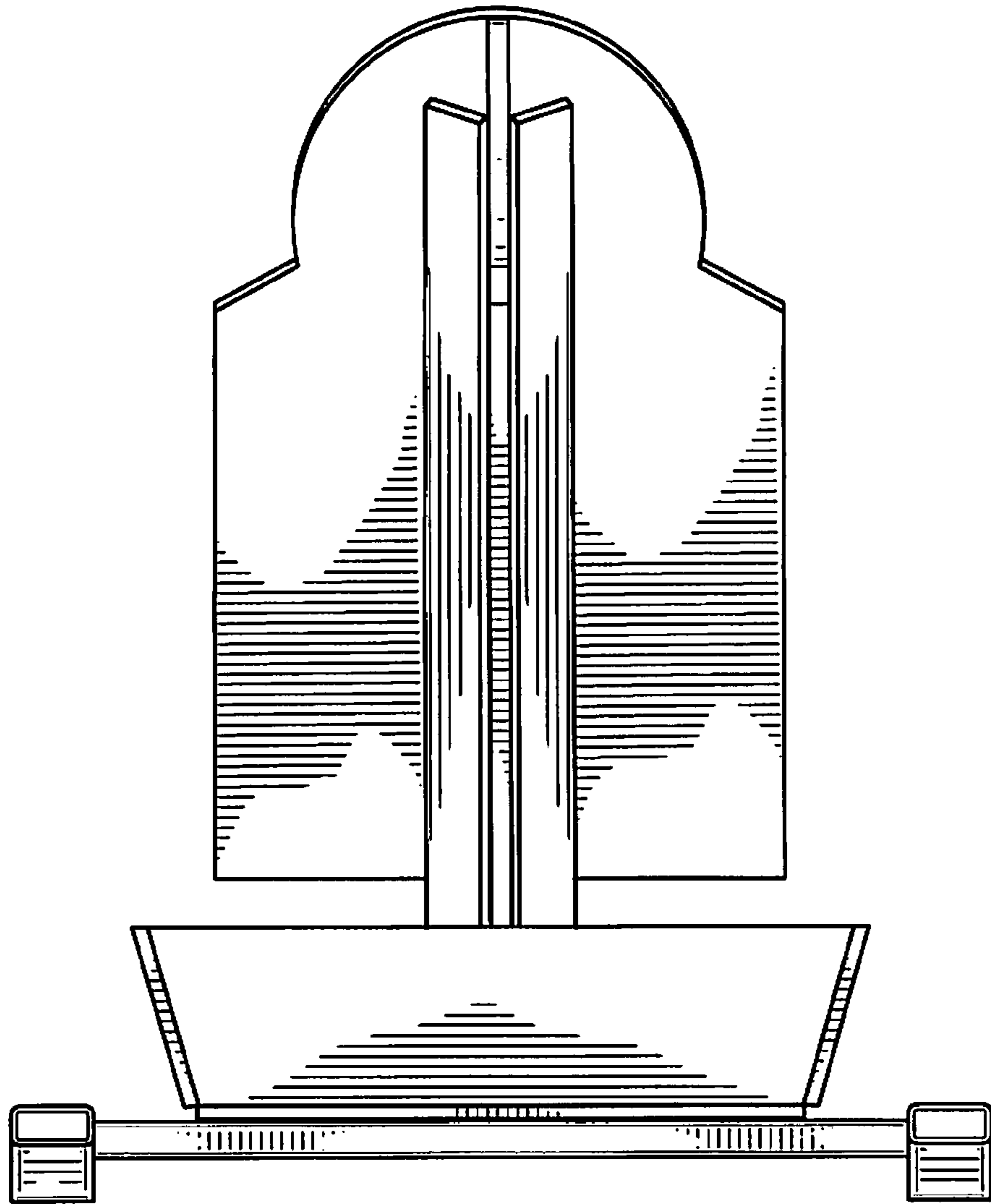


FIG. 13

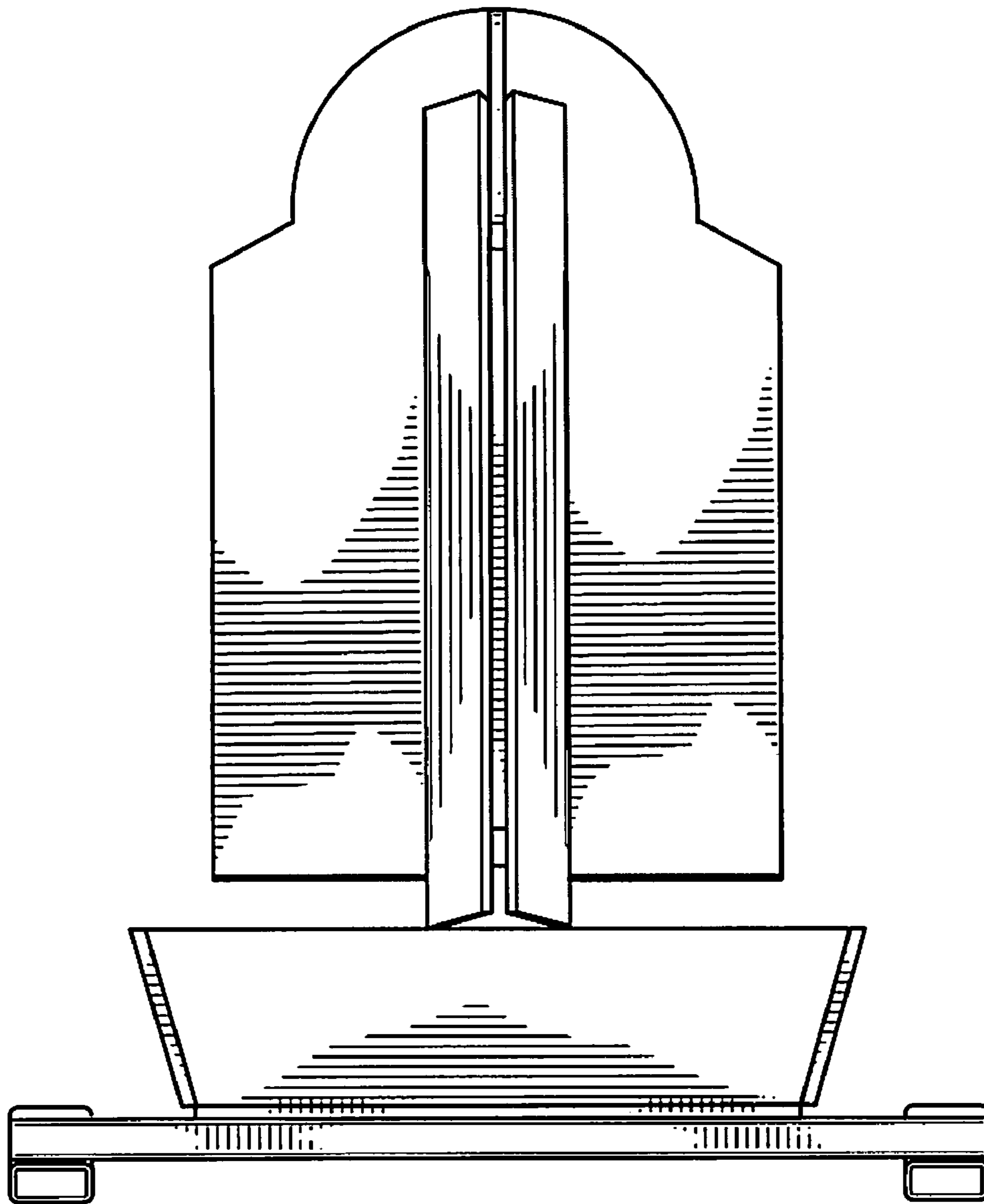


FIG. 14